

## Double Bell Alarm Clock

Thank you for purchasing a RadioShack Double Bell Alarm Clock. Your clock's classic double-bell styling is an ideal timepiece for your bedroom. The distinctive and loud alarm is sure to wake you up. Its compact size offers sleek styling perfect for even the most crowded nightstand.

63-1419

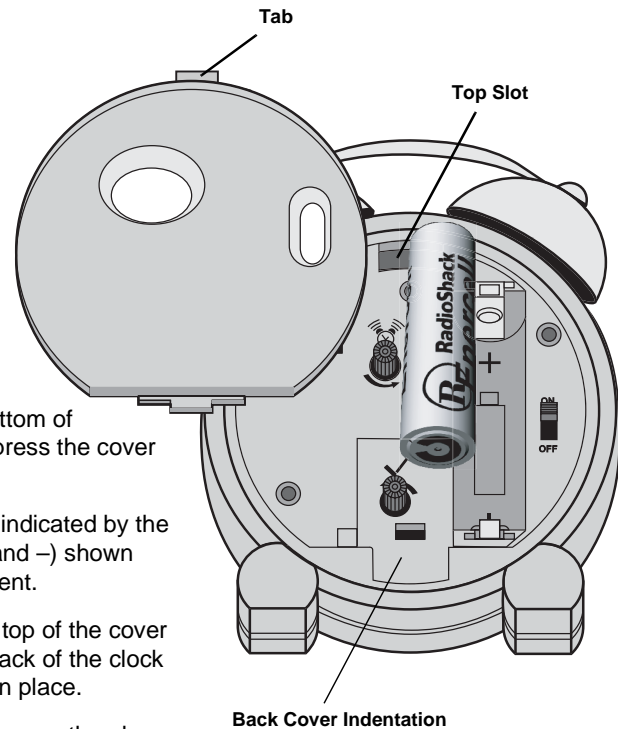
OWNER'S MANUAL  
Please read before using this equipment.

### FIRST

#### INSTALLING THE BATTERY

Your clock requires one AA battery (not supplied) for power. Batteries are available at your local RadioShack store or online at [www.radioshack.com](http://www.radioshack.com).

1. Place your thumb in the back cover indentation at the bottom of the back cover and press the cover up to remove it.
2. Insert the battery as indicated by the polarity symbols (+ and -) shown inside the compartment.
3. Insert the tab on the top of the cover into the top slot on back of the clock and snap the cover in place.



When the clock slows down or the alarm bell weakens, replace the battery.

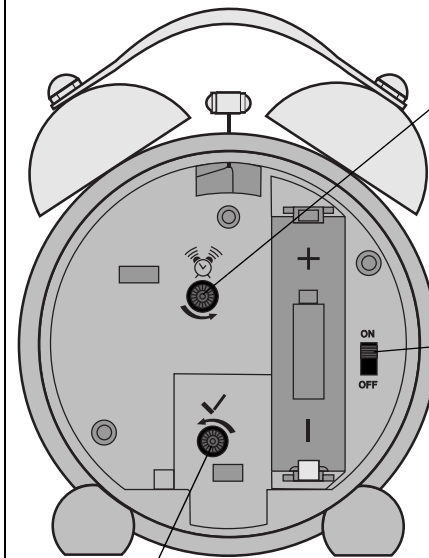
#### ⚡ Battery Notes ⚡

- Dispose of old batteries promptly and properly.
- Do not burn or bury batteries.
- Use only fresh batteries of the required size and recommended type.
- If you do not plan to use the clock for a month or more, remove the batteries. Batteries can leak chemicals that can damage electronic parts.

### SECOND

#### SETTING THE ALARM

1. Rotate counterclockwise to set the alarm time. The alarm hand (the shortest one) moves backward.
2. Slide **ON/OFF** to **ON**. At the set alarm time, the alarm sounds for about 40 minutes.
3. To turn off the alarm sooner, slide **ON/OFF** to **OFF**. The alarm does not sound again.



#### SETTING THE TIME

1. Remove the back cover.
2. Rotate to set the desired time.
3. Replace the back cover.

#### ⚡ Alarm Notes ⚡

- and **ON/OFF** are not covered by the back cover. You can set the alarm time and turn the alarm on or off without removing the cover.
- The small dots on the clock face indicate alarm time increments. Each dot represents ten minutes.  
**Example:** To set the alarm for 5:30, rotate so the alarm hand points at the third dot between **5** and **6**.
- Do not rotate clockwise or you could damage the clock.

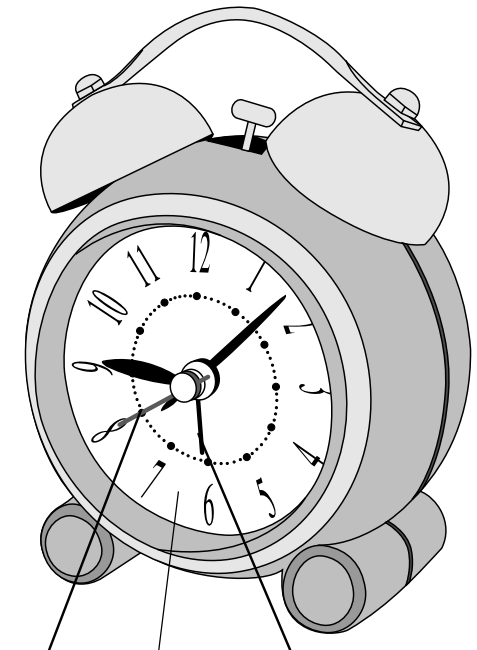
### THIRD

#### USING SNOOZE

1. When the alarm sounds, press the clock's plastic face cover to silence the alarm for about 4–5 minutes. The backlight lights for about 5 seconds.
2. After about 4–5 minutes, the alarm sounds again.
3. Slide **ON/OFF** to **OFF**, to turn snooze off.

#### ⚡ Note ⚡

You can repeat the snooze function about eight times.



#### LIGHTING THE CLOCK

To view the time in the dark, press the clock's face cover. The backlight shines for about 5 seconds.

## SPECIFICATIONS

Power Source .....	One AA Battery (Not Supplied)
Accuracy .....	± 0.67 Sec/Day
Battery Life (Continuous Use) .....	6,000 Hours
Dimension (HWD) .....	4 <sup>5</sup> / <sub>8</sub> × 3 <sup>7</sup> / <sub>16</sub> × 2 <sup>3</sup> / <sub>8</sub> Inches (117 × 87 × 60 mm)
Weight (Without Battery) .....	5.96 oz (169 g)

Specifications are typical; individual units might vary. Specifications are subject to change and improvement without notice.

## CARE

Keep the clock dry; if it gets wet, wipe it dry immediately. Use and store the clock only in normal temperature environments. Handle the clock carefully; do not drop it. Keep the clock away from dust and dirt, and wipe it with a damp cloth occasionally to keep it looking new.

If your clock is not performing as it should, take it to your local RadioShack store for assistance. To locate your nearest RadioShack, use the store locator feature on RadioShack's website ([www.radioshack.com](http://www.radioshack.com)), or call 1-800-The Shack (1-800-843-7422) and follow the menu options. Modifying or tampering with the clock's internal components can cause a malfunction and might invalidate its warranty.

#### Limited One-Year Warranty

This product is warranted by RadioShack against manufacturing defects in material and workmanship under normal use for one (1) year from the date of purchase from RadioShack company-owned stores and authorized RadioShack franchisees and dealers. EXCEPT AS PROVIDED HEREIN, RadioShack MAKES NO EXPRESS WARRANTIES AND ANY IMPLIED WARRANTIES, INCLUDING THOSE OF MERCHANTABILITY AND FITNESS FOR A PARTICULAR PURPOSE, ARE LIMITED IN DURATION TO THE DURATION OF THE WRITTEN LIMITED WARRANTIES CONTAINED HEREIN. EXCEPT AS PROVIDED HEREIN, RadioShack SHALL HAVE NO LIABILITY OR RESPONSIBILITY TO CUSTOMER OR ANY OTHER PERSON OR ENTITY WITH RESPECT TO ANY LIABILITY, LOSS OR DAMAGE CAUSED DIRECTLY OR INDIRECTLY BY USE OR PERFORMANCE OF THE PRODUCT OR ARISING OUT OF ANY BREACH OF THIS WARRANTY, INCLUDING, BUT NOT LIMITED TO, ANY DAMAGES RESULTING FROM INCONVENIENCE, LOSS OF TIME, DATA, PROPERTY, REVENUE, OR PROFIT OR ANY INDIRECT, SPECIAL, INCIDENTAL, OR CONSEQUENTIAL DAMAGES, EVEN IF RadioShack HAS BEEN ADVISED OF THE POSSIBILITY OF SUCH DAMAGES.

Some states do not allow limitations on how long an implied warranty lasts or the exclusion or limitation of incidental or consequential damages, so the above limitations or exclusions may not apply to you.

In the event of a product defect during the warranty period, take the product and the RadioShack sales receipt as proof of purchase date to any RadioShack store. RadioShack will, at its option, unless otherwise provided by law: (a) correct the defect by product repair without charge for parts and labor; (b) replace the product with one of the same or similar design; or (c) refund the purchase price. All replaced parts and products, and products on which a refund is made, become the property of RadioShack. New or reconditioned parts and products may be used in the performance of warranty service. Repaired or replaced parts and products are warranted for the remainder of the original warranty period. You will be charged for repair or replacement of the product made after the expiration of the warranty period.

This warranty does not cover: (a) damage or failure caused by or attributable to acts of God, abuse, accident, misuse, improper or abnormal usage, failure to follow instructions, improper installation or maintenance, alteration, lightning or other incidence of excess voltage or current; (b) any repairs other than those provided by a RadioShack Authorized Service Facility; (c) consumables such as fuses or batteries; (d) cosmetic damage; (e) transportation, shipping or insurance costs; or (f) costs of product removal, installation, set-up service adjustment or reinstallation.

This warranty gives you specific legal rights, and you may also have other rights which vary from state to state.

RadioShack Customer Relations, 200 Taylor Street, 6th Floor, Fort Worth, TX 76102

12/99

## Free Manuals Download Website

<http://myh66.com>

<http://usermanuals.us>

<http://www.somanuals.com>

<http://www.4manuals.cc>

<http://www.manual-lib.com>

<http://www.404manual.com>

<http://www.luxmanual.com>

<http://aubethermostatmanual.com>

Golf course search by state

<http://golfingnear.com>

Email search by domain

<http://emailbydomain.com>

Auto manuals search

<http://auto.somanuals.com>

TV manuals search

<http://tv.somanuals.com>