

R RadioShack

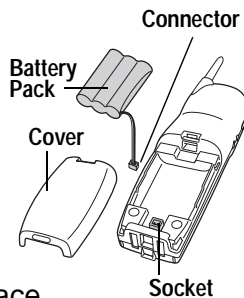
Big Button Cordless Phone with Headset Jack 43-3576

Quick Start Guide

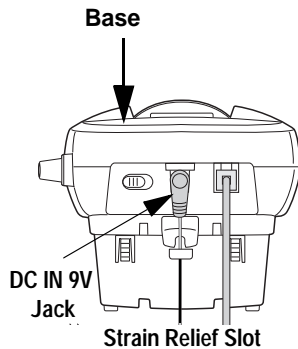
for installing, setting up and using your new product

Install and Charge the Handset Battery

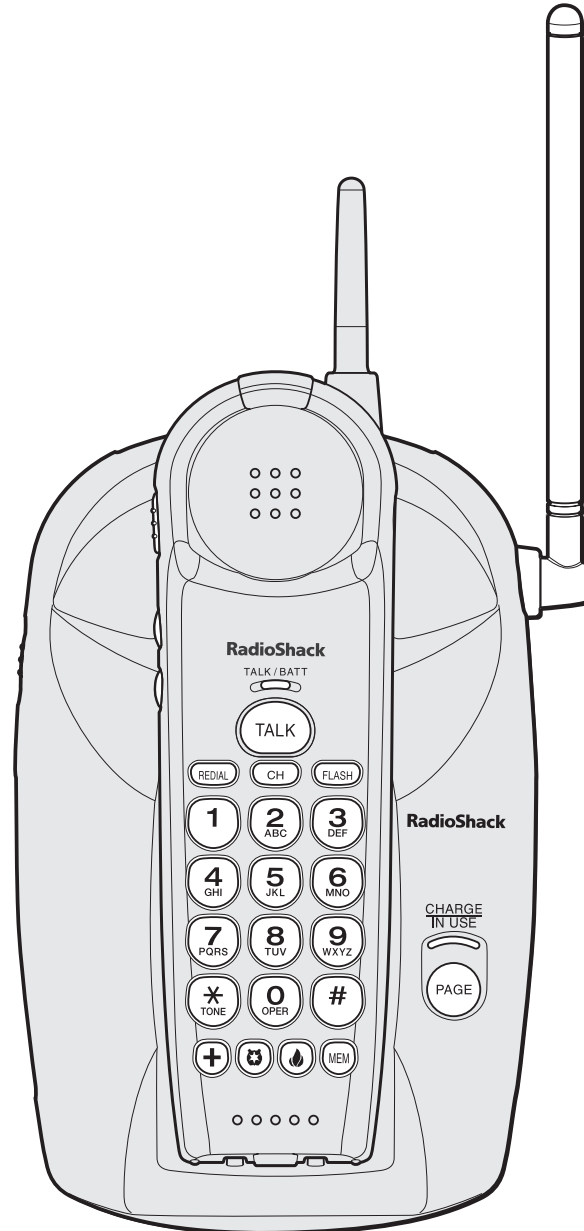
1. Press down and slide off the battery cover.
2. Remove the battery pack and plug the battery pack's connector into the socket in the battery compartment (fits only one way). Replace the battery pack and the cover.



3. Insert the AC adapter's barrel plug into the base's **DC IN 9V** jack on the back of the base, and route the excess cord through the strain relief slot. Plug the adapter into a wall outlet.



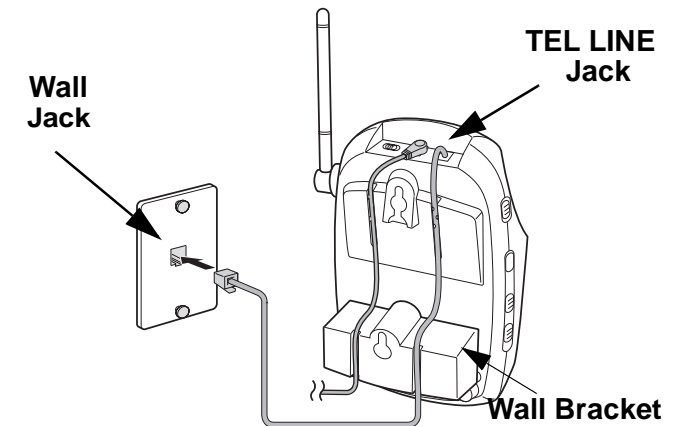
4. Place the handset on the base and charge continuously for 15-20 hours before using the phone.



Using Your Phone

Connect to a Phone Line

When the handset battery pack is fully charged, plug the telephone cord into the **TEL LINE** jack on the back of the base. Plug the other end into a telephone wall jack.



Note: The illustration shows the wall-mount bracket attached. See page 9 of your Owner's Manual for how to attach and use the bracket.

Your phone is set for tone dialing. If your phone uses pulse service, please see "Choosing the Dialing Mode" on page 12 in your Owner's Manual.

Making Calls

Pick up the handset and press **TALK**. Listen for the dial tone, and then dial the number. Or, dial the number and then press **TALK**.

Answering Calls

If Auto Talk is on, just pick up the handset from the base. If Auto Talk is off, pick up the handset and press **TALK**. For more information, see "Setting Menu Options" on page 16 of your Owner's Manual.

If the handset is off the base, press **TALK**, or, with Auto Talk on, press any number, ***/TONE/◀** or **#/▶**.

Free Manuals Download Website

<http://myh66.com>

<http://usermanuals.us>

<http://www.somanuals.com>

<http://www.4manuals.cc>

<http://www.manual-lib.com>

<http://www.404manual.com>

<http://www.luxmanual.com>

<http://aubethermostatmanual.com>

Golf course search by state

<http://golfingnear.com>

Email search by domain

<http://emailbydomain.com>

Auto manuals search

<http://auto.somanuals.com>

TV manuals search

<http://tv.somanuals.com>