



Cat. No. 43-1096
OWNER'S MANUAL

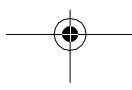
Please read before using this equipment.

ET-926

900-MHz Digital Spread Spectrum Cordless Phone



RadioShack[®]



FEATURES

Your RadioShack ET-926 900-MHz Digital Spread Spectrum Cordless Phone uses the most advanced cordless telephone technology to give you superior audio quality and extended range.

Its features include:

Spread Spectrum Technology — spreads signals out over several frequencies rather than locking onto just one.

900-MHz Operation — provides less interference, clearer sound, and longer range than many other cordless phones (over twice the range of 46/49-MHz cordless phones).

20 Channels — automatically selects a clear channel when you make or answer a call.

Security Access-Protection Code — automatically prevents other cordless phone users from using your phone line while the handset is off the base.

Redial — lets you quickly redial the last number dialed.

20-Number Memory Dialing — lets you store up to 20 numbers in memory for easy dialing.

Page — lets you send a paging signal from the base to the handset to page someone or locate the handset if you misplace it.

Flash — sends an electronic switch-hook signal for use with special phone services, such as Call Waiting.

Volume Control — lets you adjust the volume you hear through the handset.

Programmable Ringer — lets you select from eight tone/volume settings.

Tone/Pulse Dialing — you can use this phone with either type of service.

Quick Talk — lets you answer a call by just lifting the handset from the base.

Any Key Answer — lets you press any key to answer a call when the handset is away from the base.

Hearing-Aid Compatibility — lets you use your phone with hearing aids that have a T (telephone) switch.

This telephone has been tested and found to comply with all applicable UL and FCC standards.

© 1997 Tandy Corporation.
All Rights Reserved.



RadioShack is a registered trademark used by Tandy Corporation.

Important Note: Cordless phones such as this one require AC power to operate. When the AC power is off, you cannot dial out or receive incoming calls using your ET-926. To be safe, you should also have a phone that does not need AC power to operate (not a cordless phone) so you can still make and receive calls if there is an AC power failure.

We recommend you record your phone's serial number here. The number is on the bottom of the base.

Serial Number _____

Warning: To reduce the risk of fire or shock hazard, do not expose this product to rain or moisture.

	CAUTION RISK OF ELECTRIC SHOCK. DO NOT OPEN.	
CAUTION: TO REDUCE THE RISK OF ELECTRIC SHOCK, DO NOT REMOVE COVER OR BACK. NO USER-SERVICEABLE PARTS INSIDE. REFER SERVICING TO QUALIFIED PERSONNEL.		



This symbol is intended to alert you to the presence of uninsulated dangerous voltage within the product's enclosure that might be of sufficient magnitude to constitute a risk of electric shock. Do not open the product's case.



This symbol is intended to inform you that important operating and maintenance instructions are included in the literature accompanying this product.

READ THIS BEFORE INSTALLATION

Each device that you connect to the phone line draws power from the phone line. We refer to this power draw as the device's *ringer equivalence number*, or REN. The REN is on the bottom of the base.

If you are using more than one phone or other device on the line, add up all the RENs. If the total is more than five, your phones might not ring. In rural areas, a total REN of three might impair ringer operation. If ringer operation is impaired, remove a device from the line.

FCC STATEMENT

This telephone complies with Part 68 of *FCC Rules*. You must, upon request, provide the FCC Registration Number and the REN to your phone company. These numbers are on the bottom of the base.

Note: You must not connect your phone to any of the following:

- coin-operated systems
- party-line systems
- most electronic key phone systems

CONTENTS

Installation	5
Selecting a Location	5
Placing the Base on a Desk Top	5
Mounting the Base on a Wall Plate	6
Mounting the Base Directly on the Wall	8
Connecting and Charging the Battery Pack	10
Setting the Dialing Mode	11
Setting the Ringer Tone/Volume	12
Using the Belt Clip	12
Operation	13
Making and Receiving Calls	13
Setting the Handset Volume	13
Using Redial	13
Using Flash	14
Using Tone Services on a Pulse Line	14
Paging	14
Memory Dialing	15
Storing a Number in Memory	15
Entering a Pause	16
Dialing a Memory Number	16
Chain-Dialing Service Numbers	16
Testing Stored Emergency Numbers	17
Troubleshooting	18
Care and Maintenance	20
Replacing the Battery Pack	21
The FCC Wants You to Know	22
Lightning	22

INSTALLATION

SELECTING A LOCATION

You can place the ET-926's base on a desk top or table, or mount it on a wall. Select a location that is:

- near an AC outlet
- near a telephone line jack
- out of the way of normal activities
- away from electrical machinery, electrical appliances, metal walls or filing cabinets, wireless inter-coms, alarms, and room monitors
- away from other cordless phones

The base's location affects the hand-set's range. If you have a choice of several locations, try each to see which provides the best performance.

Caution: The supplied RadioShack AC adapter was designed specifically for your ET-926. Use only the supplied adapter.

Notes:

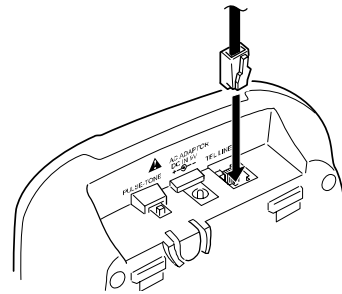
- Your telephone connects directly to a modular telephone line jack. If your phone line jack is not a modular jack, you can update the wiring yourself, using jacks and adapters available at your local RadioShack store. Or, you can let the phone company update the wiring for you.

- The USOC number of the jack to be installed is RJ11C (RJ11W if you want to mount it on a wall plate).

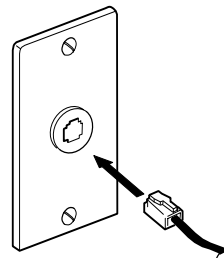
Placing the Base on a Desk Top

Follow these steps when you place the base on a desk, shelf, or table.

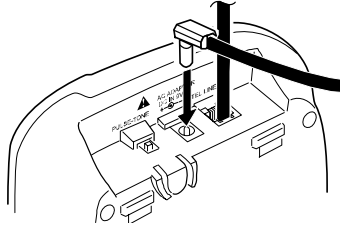
1. Plug one end of the supplied long modular cord into the **TEL LINE** jack on the back of the base.



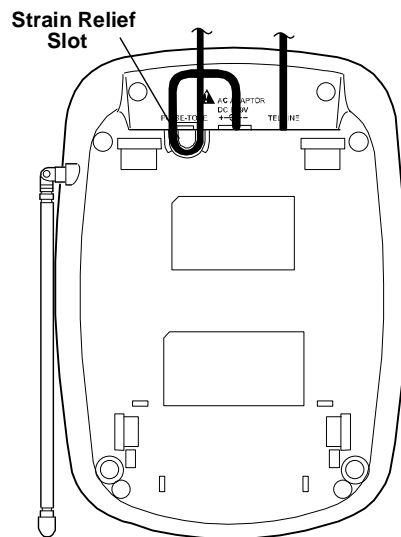
2. Plug the modular cord's other end into a modular phone line jack.



3. Insert the supplied AC adapter's barrel plug into the **DC IN 9V** jack on the back of the base.



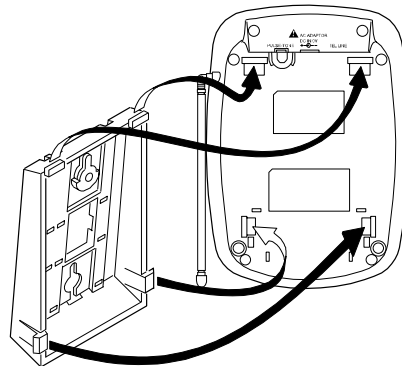
4. Route the adapter's cord through the strain relief slot on the base.



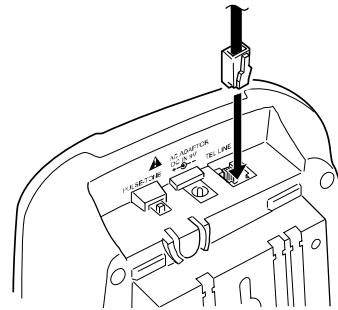
5. Plug the adapter into a standard AC outlet.
6. Lift the base's antenna to a vertical position.

Mounting the Base on a Wall Plate

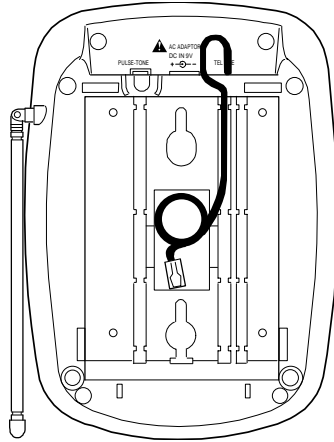
1. Insert the two catches at the top of the bracket into the upper slots on the bottom of the base. Then press the two latches on the sides of the bracket into the lower slots.



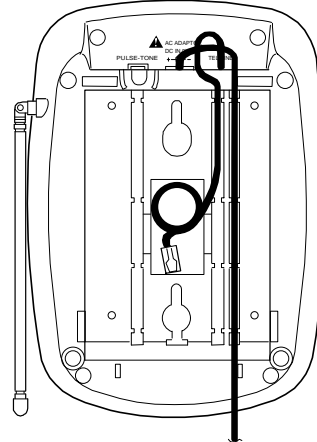
2. Plug one end of the supplied short modular cord into the **TEL LINE** jack on the back of the base.



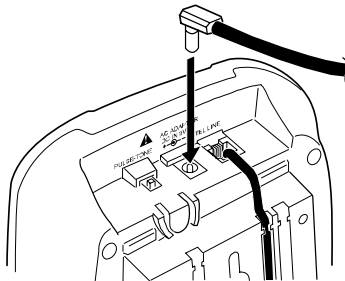
3. Route the modular cord through the wide right groove on the bottom of the bracket.



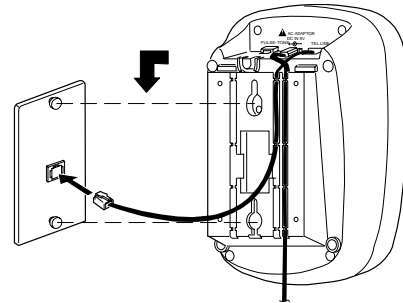
5. Route the adapter's cord through the narrow groove on the bottom of the bracket.



4. Insert the supplied AC adapter's barrel plug into the DC IN 9V jack on the back of the base.



6. Plug the short modular cord into the wall plate jack, press the excess cord into the slot in the center of the bracket, then align the bracket's keyhole slots with the wall plate studs and slide the base downward to secure it.

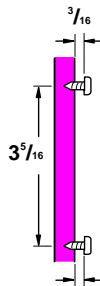


7. Plug the adapter into a standard AC outlet.
8. Lift the base's antenna to a vertical position.

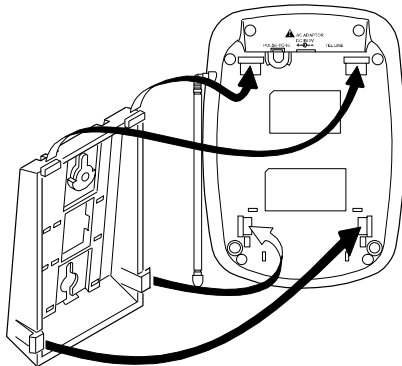
Mounting the Base Directly on the Wall

For this mounting method, you need two flat-head wood screws (not supplied) with heads that fit into the key-hole slots on the bottom of the base.

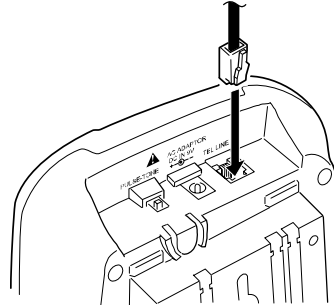
1. Drill two holes $3\frac{5}{16}$ inches apart. Then thread a screw into each hole, letting the heads extend about $\frac{3}{16}$ inch from the wall.



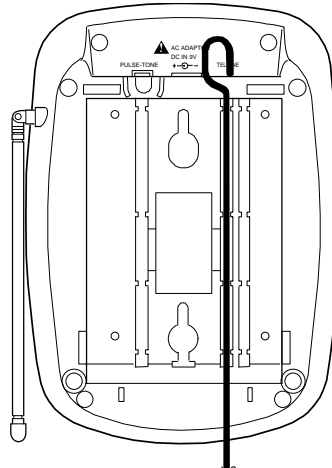
2. Insert the two catches at the top of the bracket into the upper slots on the bottom of the base. Then press the two latches on the sides of the bracket into the lower slots.



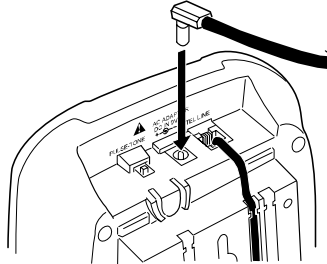
3. Plug one end of the supplied long modular cord into the **TEL LINE** jack on the back of the base.



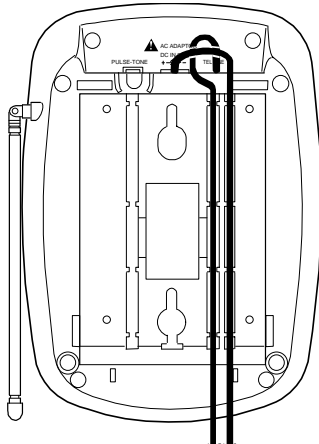
4. Route the modular cord through the wide right groove on the bottom of the bracket.



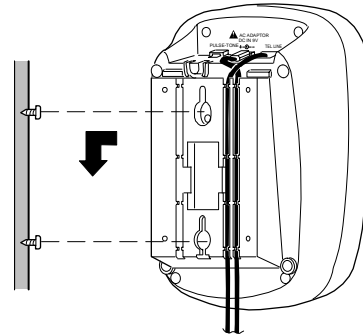
5. Insert the supplied AC adapter's barrel plug into the **DC IN 9V** jack on the back of the base.



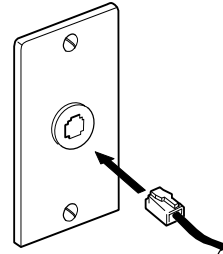
6. Route the adapter's cord through the narrow groove on the bottom of the bracket.



7. Align the keyhole slots with the mounting screws and slide the base downward to secure it.



8. Plug the modular cord into a modular phone line jack.

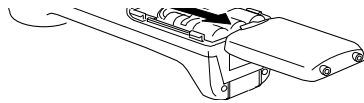


9. Plug the adapter into a standard AC outlet.
10. Lift the base's antenna to a vertical position.

CONNECTING AND CHARGING THE BATTERY PACK

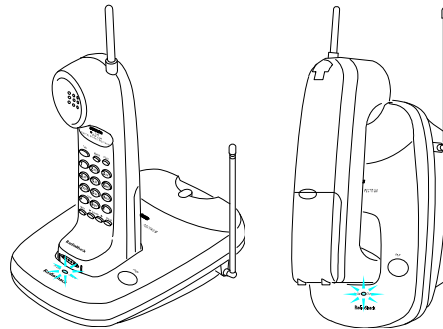
The ET-926 comes with a rechargeable nickel-cadmium battery pack in the handset. Before using your phone, you must connect the battery pack, then charge it for about 14 hours.

1. Slide the cover in the direction of the arrow to remove it.



2. Unfasten the plastic retainer strap and lift the battery pack out of the compartment. Plug the battery pack's connector into the socket in the compartment. The connector fits only one way.
3. Replace the battery pack inside the compartment and refasten the retainer strap.
4. Replace the cover.

To charge the battery pack, place the handset upright on the base if you placed the ET-926 on a desk top, or hang the handset on the holder if you mounted it on a wall. The In Use/Charge indicator on the base lights.

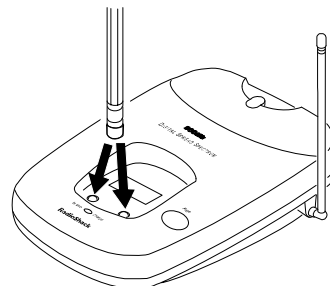
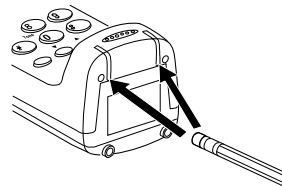


When the handset beeps and the Talk/Batt Low indicator on the handset flashes, recharge the battery pack.

Notes:

- If the In Use/Charge indicator does not light when you place the handset on the base, be sure the battery pack and AC adapter are correctly and securely connected.

Also, check the charging contacts on the handset and the base. If the contacts are dirty or tarnished, clean them with a pencil eraser.



- When you first use the phone after charging or recharging the battery pack, the phone might not work and you might hear an error tone. If this happens, return the handset to the base for a few seconds.
- About once a month, fully discharge the battery pack by keeping the handset off the base until the Talk/Batt Low indicator flashes. Otherwise, the battery pack loses its ability to fully recharge.

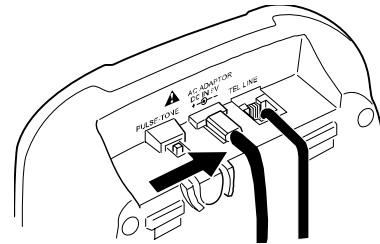
Note: The security code is not lost even if the battery pack is completely discharged.

- If the Talk/Batt Low indicator does not light and the phone does not work, recharge the battery pack. (The battery power might be too low to light the indicator.)
- If the battery pack becomes weak during a call, you hear a beep every 16 seconds and the Talk/Batt Low indicator flashes. Recharge the battery pack.
- The supplied battery pack should last for about a year. When the battery pack loses its ability to fully recharge, order a replacement battery pack from your local RadioShack store (see "Replacing the Battery Pack" on Page 21).

SETTING THE DIALING MODE

Set **PULSE-TONE** on the back of the base for the type of service you have. If you are not sure which type you have, do this test.

1. Set **PULSE-TONE** to **TONE**.



2. Lift the handset, press **Talk**, and listen for a dial tone.
3. Press any number other than **0**.

Note: If your phone system requires that you dial an access code (**9**, for example) before you dial an outside number, do not press the access code either.

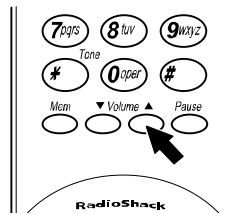
If the dial tone stops, you have touch-tone service. Leave **PULSE-TONE** set to **TONE**.

If the dial tone continues, you have pulse service. Set **PULSE-TONE** to **PULSE**.

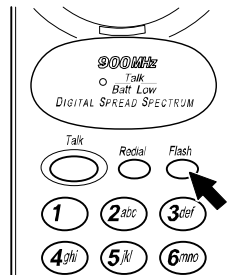
SETTING THE RINGER TONE/VOLUME

You can select one of eight different ringer tone/volume settings — four tones, with high/low volume for each — while the phone is not in use.

To hear and change the ringer volume setting, press **Volume** s or t.

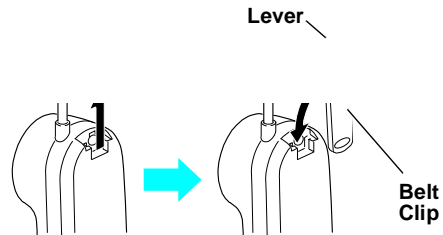


To change the tone, press **Flash** then enter the ringer tone number (1–4) using the number keys.



USING THE BELT CLIP

You can carry around the handset on your belt. Carefully remove the lid on top of the handset and attach the supplied belt clip.

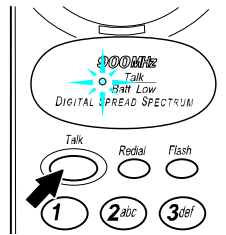


To remove the belt clip, press the lever and pull out the clip.

OPERATION

MAKING AND RECEIVING CALLS

To make a call, lift the handset and press **Talk**. To answer a call, simply lift the handset from the base (or, if the handset is away from the base, press any key.) The Talk/Batt Low indicator on the handset and the In Use/Charge indicator on the base light.



The ET-926 scans 20 channels (frequency pairs used between the base and the handset) and automatically selects a clear channel each time you make or receive a call.

Note: If the handset is too far from the base, the channel might not be clear. Move closer to the base and try making the call again.

To end a call, place the handset on the base or press **Talk** so the Talk/Batt Low indicator turns off.

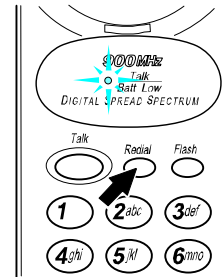
Note: If you press **Talk** to hang up the phone and the phone does not disconnect, press **Talk** again while holding the handset closer to the base, or place the handset on the base.

SETTING THE HANDSET VOLUME

To change the volume you hear through the handset to one of eight settings, press **Volume** s or t during a call.

USING REDIAL

You can quickly dial the last number dialed. When you hear a dial tone, simply press **Redial**.

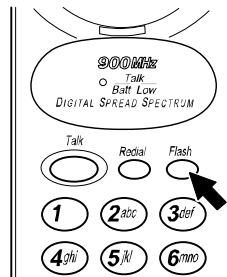


Notes:

- The redial memory holds up to 32 digits, so you can redial long-distance as well as local numbers.
- The redial memory also holds pause entries. See "Entering a Pause" on Page 16.
- The redial memory does not store a flash entry or any digits you press after **Flash** (see "Using Flash" on Page 14).

USING FLASH

Flash performs the electronic equivalent of a switchhook operation for special services, such as Call Waiting.



For example, if you have Call Waiting, press **Flash** to answer an incoming call without disconnecting the current call. Press **Flash** again to return to the first call.

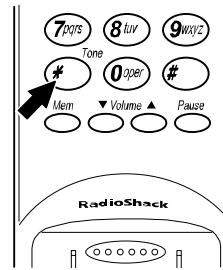
Note: If you do not have any special phone services, pressing **Flash** might disconnect the current call.

USING TONE SERVICES ON A PULSE LINE

Some special services, such as bank-by-phone, require tone signals. If you have pulse service, you can still use these special tone services by following these steps.

1. Be sure **PULSE-TONE** is set to **PULSE**.
2. Dial the service's main number.

3. When the service answers, press **Tone/✕**. Any additional numbers you dial are sent as tone signals.



4. After you complete the call, return the handset to the base or press **Talk**. The phone automatically resets to the pulse mode.

PAGING

To page the person who has the handset or to locate the handset when the phone is not in use, press **Page** on the base. The handset beeps for 14 seconds. To stop it from beeping sooner, press **Talk** on the handset twice or **Page** on the base.



Notes:

- Make sure you press **Talk** twice to stop the handset from beeping. If you press **Talk** only once, you get a dial tone.
- If you receive a call while the page is sounding, the handset stops beeping and starts ringing.

MEMORY DIALING

You can store up to 20 numbers in memory, then dial a stored number by pressing a two-digit memory location number.

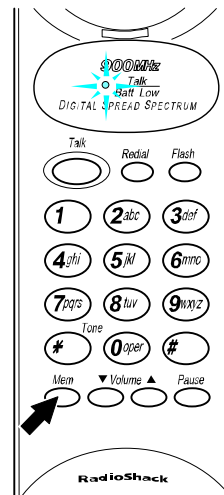
Each number you store can be up to 16 digits long.

Storing a Number in Memory

Note: An error tone sounds and the phone exits the storing process if you wait more than 30 seconds between each key press.

1. Lift the handset.

2. Press **Mem**. The Talk/Batt Low indicator blinks.

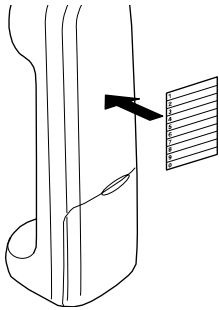


3. Enter the number and any **Tone/*** mode changes or **Pause** entries (see "Entering a Pause" on Page 16).

Notes:

- Each **Tone/*** or **Pause** entry uses one digit of memory.
 - If you try to enter more than 16 digits, the phone sounds an error tone and exits the storing process. Start over at Step 2.
4. Press **Mem** again, then enter the two-digit memory location number (**01–20**) where you want to store the number. The handset beeps twice to indicate that the number is stored.

5. For each stored number, write the person's or company's name next to the appropriate location number on the supplied MEMORY directory sticker. (Use a pencil in case you need to change the number later.) Then attach the sticker to the phone.

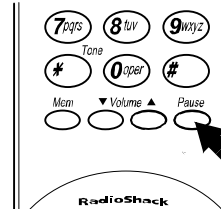


To change a stored number, simply store a new number in its place. Or, lift the handset and press **Mem** twice, then press the memory location number (01–20) you want to clear. The handset beeps twice to signal that the memory location is clear.

Entering a Pause

In some telephone systems, you must dial an access code (9, for example) and wait for a second dial tone before you can dial an outside number. You can store the access code with the phone number. However, you should also store a pause after the access code to allow the outside line time to

connect. To enter a 2-second pause, press **Pause**. For a longer pause, press **Pause** additional times.



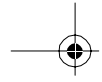
Dialing a Memory Number

To dial a number stored in memory, lift the handset and press **Talk**. The Talk/Batt Low indicator lights and you hear the dial tone. Press **Mem** and enter the memory location number for the number you want to dial.

Note: If you select an invalid memory location (for example 3 0 instead of 0 3), the phone sounds an error tone. Try again.

Chain-Dialing Service Numbers

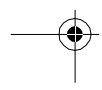
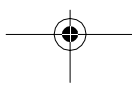
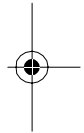
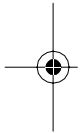
For quick recall of numbers for special services (such as alternate long distance or bank by phone), store each group of numbers in its own memory location.



Dial the service's main number first. Then, at the appropriate place in the call, press **Mem** and the number for the location where the additional information is stored.

Testing Stored Emergency Numbers

If you store an emergency service's number (police department, fire department, ambulance) and you choose to test the stored number, make the test call during the late evening or early morning hours to avoid peak demand periods. Also, remain on the line to explain the reason for your call.



TROUBLESHOOTING

We do not expect you to have any problems with your phone, but if you do, the following suggestions might help.

Problem	Suggestion
Low volume or unusual sounds.	Someone has picked up another phone on the same line. Hang up the other phone.
Severe noise interference.	Keep the handset away from computers, remote control toys, wireless microphones, alarm systems, intercoms, room monitors, fluorescent lights, and electrical appliances.
	Move to another location or turn off the source of interference.
	Hang up and redial the number.
The phone cannot be operated at a useful distance from the base because the signal becomes weak or noisy (handset's range has decreased).	Lift the base's antenna to a fully vertical position.
	Be sure neither the handset or base antenna is touching a metal surface.
	Return the handset to the base to recharge the battery pack.
The phone does not work or works poorly.	Be sure the base's phone line cord and AC adapter are correctly and securely connected, and the battery pack is charged.
The handset battery pack does not charge.	Check the charging contacts on the handset and base. If they are dirty, clean them with a pencil eraser.
	Be sure the battery pack is properly connected.
	Be sure the handset is properly seated on the base.

Problem	Suggestion
Handset does not ring or receive a page.	Lift the base's antenna to a fully vertical position.
	Move the handset closer to the base.
	Move the base away from other electrical devices.
	Return the handset to the base to recharge the battery pack.
The handset stops working or works poorly during a call.	Move the handset closer to the base.
	Lift the base's antenna to a fully vertical position.
	Be sure the handset's battery pack is charged. (If the battery pack power is too low, it does not have enough power to light the Talk/Batt Low indicator.)

If you still have problems, disconnect the phone. If other phones on the same line work properly, the fault is in this phone or its installation. If you cannot find the problem, take your phone to your local RadioShack store for assistance.

CARE AND MAINTENANCE

Your ET-926 900-MHz Digital Spread Spectrum Cordless Phone is an example of superior design and craftsmanship. The following suggestions will help you care for your cordless telephone so you can enjoy it for years.



Keep the ET-926 dry. If it gets wet, wipe it dry immediately. Liquids might contain minerals that can corrode the electronic circuits.



Handle the ET-926 gently and carefully. Dropping it can damage circuit boards and cases and can cause the ET-926 to work improperly.



Use and store the ET-926 only in normal temperature environments. Temperature extremes can shorten the life of electronic devices and distort or melt plastic parts.



Keep the ET-926 away from dust and dirt, which can cause premature wear of parts.



Wipe the ET-926 with a damp cloth occasionally to keep it looking new. Do not use harsh chemicals, cleaning solvents, or strong detergents to clean the ET-926.

Modifying or tampering with the ET-926's internal components can cause a malfunction and might invalidate your ET-926's warranty and void your FCC authorization to operate it. If your ET-926 is not performing as it should, take it to your local RadioShack store for assistance. If the trouble is affecting the phone lines, the phone company might ask you to disconnect your phone until you have resolved the problem.

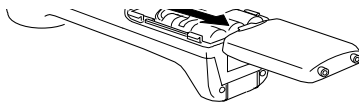
REPLACING THE BATTERY PACK

If you follow the instructions in "Connecting and Charging the Battery Pack" on Page 10, the battery pack should last about one year. If the battery pack does not hold a charge for more than 2 hours after an overnight charge, replace it with a new 3.6-volt, 600 mA AH battery pack with a connector that fits the socket in the battery compartment. You can order a replacement battery pack through your local RadioShack store.

Install the new battery pack as described below, then charge it for about 14 hours.

Note: To avoid losing phone numbers stored in memory, try to install and begin charging the new battery pack within 3 minutes.

1. Slide off the cover in the direction of the arrow.



2. Unfasten the plastic retainer strap and lift the battery pack out of the compartment, then gently pull on the battery connector to disconnect it.

3. Insert the new battery pack's connector into the socket in the compartment, place the battery pack into the compartment, and refasten the retainer strap.

4. Replace the cover.

Cautions:

- You must use a replacement battery pack of the same size and type.
- Do not dispose of the battery pack in a fire because it might explode.
- Do not open or mutilate the battery pack.
- Be careful not to short the battery pack by touching the connector's pins with conducting materials, such as rings, bracelets, and keys. The battery pack or conductor might overheat and burn.

If you have trouble replacing the battery pack, take the phone to your local RadioShack store for assistance.

Important: This product contains a rechargeable nickel-cadmium battery pack. At the end of the battery pack's useful life, it must be recycled or disposed of properly. Contact your local, county, or state hazardous waste management authorities for information on recycling or disposal programs in your area. Some options that might be available are: municipal curb-side collection, drop-off boxes at retailers such as your local RadioShack store, recycling collection centers, and mail-back programs.

THE FCC WANTS YOU TO KNOW

In the unlikely event that your phone causes problems on the phone line, the phone company can temporarily discontinue your service. If this happens, the phone company attempts to notify you in advance. If advance notice is not practical, the phone company notifies you as soon as possible and advises you of your right to file a complaint with the FCC.

Also, the phone company can make changes to its lines, equipment, operations, or procedures that could affect the operation of this telephone. The telephone company notifies you of these changes in advance, so you can take the necessary steps to prevent interruption of your telephone service.

Your phone might cause TV or radio interference even when it is operating properly. To determine whether your phone is causing the interference, turn off your phone. If the interference goes away, your phone is causing it. Try to eliminate the interference by:

- Moving your phone away from the receiver
- Connecting your phone to an AC outlet that is on a different electrical circuit from the receiver
- Contacting your local RadioShack store for help

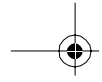
If you cannot eliminate the interference, the FCC requires that you stop using your phone.

Some cordless telephones operate on frequencies that might cause interference to nearby TVs and VCRs. To minimize or prevent such interference, the base of the cordless telephone should not be placed near or on top of a TV or VCR.

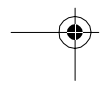
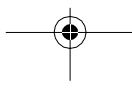
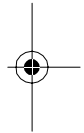
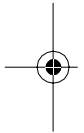
LIGHTNING

Your telephone has built-in lightning protection to reduce the risk of damage from surges in telephone line and power line current. This lightning protection meets or exceeds FCC requirements. However, lightning striking the telephone or power lines can damage your telephone.

Lightning damage is not common. Nevertheless, if you live in an area that has severe electrical storms, we suggest that you unplug your phone during storms to reduce the possibility of damage.



NOTES



Limited One-Year Warranty

This product is warranted by RadioShack against manufacturing defects in material and workmanship under normal use for one (1) year from the date of purchase from RadioShack company-owned stores and authorized RadioShack franchisees and dealers. EXCEPT AS PROVIDED HEREIN, RadioShack MAKES NO EXPRESS WARRANTIES AND ANY IMPLIED WARRANTIES, INCLUDING THOSE OF MERCHANTABILITY AND FITNESS FOR A PARTICULAR PURPOSE, ARE LIMITED IN DURATION TO THE DURATION OF THE WRITTEN LIMITED WARRANTIES CONTAINED HEREIN. EXCEPT AS PROVIDED HEREIN, RadioShack SHALL HAVE NO LIABILITY OR RESPONSIBILITY TO CUSTOMER OR ANY OTHER PERSON OR ENTITY WITH RESPECT TO ANY LIABILITY, LOSS OR DAMAGE CAUSED DIRECTLY OR INDIRECTLY BY USE OR PERFORMANCE OF THE PRODUCT OR ARISING OUT OF ANY BREACH OF THIS WARRANTY, INCLUDING, BUT NOT LIMITED TO, ANY DAMAGES RESULTING FROM INCONVENIENCE, LOSS OF TIME, DATA, PROPERTY, REVENUE, OR PROFIT OR ANY INDIRECT, SPECIAL, INCIDENTAL, OR CONSEQUENTIAL DAMAGES, EVEN IF RadioShack HAS BEEN ADVISED OF THE POSSIBILITY OF SUCH DAMAGES.

Some states do not allow the limitations on how long an implied warranty lasts or the exclusion of incidental or consequential damages, so the above limitations or exclusions may not apply to you.

In the event of a product defect during the warranty period, take the product and the RadioShack sales receipt as proof of purchase date to any RadioShack store. RadioShack will, at its option, unless otherwise provided by law: (a) correct the defect by product repair without charge for parts and labor; (b) replace the product with one of the same or similar design; or (c) refund the purchase price. All replaced parts and products, and products on which a refund is made, become the property of RadioShack. New or reconditioned parts and products may be used in the performance of warranty service. Repaired or replaced parts and products are warranted for the remainder of the original warranty period. You will be charged for repair or replacement of the product made after the expiration of the warranty period.

This warranty does not cover: (a) damage or failure caused by or attributable to acts of God, abuse, accident, misuse, improper or abnormal usage, failure to follow instructions, improper installation or maintenance, alteration, lightning or other incidence of excess voltage or current; (b) any repairs other than those provided by a RadioShack Authorized Service Facility; (c) consumables such as fuses or batteries; (d) cosmetic damage; (e) transportation, shipping or insurance costs; or (f) costs of product removal, installation, set-up service adjustment or reinstallation.

This warranty gives you specific legal rights, and you may also have other rights which vary from state to state.

RadioShack Customer Relations, Dept. W, 100 Throckmorton St., Suite 600, Fort Worth, TX 76102

We Service What We Sell

3/97

RadioShack
A Division of Tandy Corporation
Fort Worth, Texas 76102

UDZZ01842ZZ
Printed in Hong Kong

12A7

Free Manuals Download Website

<http://myh66.com>

<http://usermanuals.us>

<http://www.somanuals.com>

<http://www.4manuals.cc>

<http://www.manual-lib.com>

<http://www.404manual.com>

<http://www.luxmanual.com>

<http://aubethermostatmanual.com>

Golf course search by state

<http://golfingnear.com>

Email search by domain

<http://emailbydomain.com>

Auto manuals search

<http://auto.somanuals.com>

TV manuals search

<http://tv.somanuals.com>