

SECO-LARM

High Resolution Indoor Dome Cameras

Manual



EV-2660-NKBQ
EV-2660-NKBAQ



EV-2661-NKBQ

Features	EV-2660-NKBQ	EV-2660-NKBAQ	EV-2661-NKBQ
550 TV Lines	✓	✓	✓
3-Axis Gimbal Bracket	✓	✓	✓
2.8~10.5mm Varifocal Lens	✓	✓	✓
Dual Voltage		✓	✓
True Day & Night		✓	✓
36 IR LEDs			✓

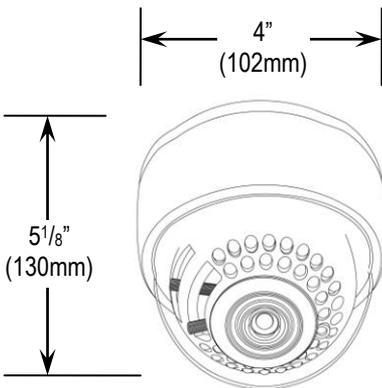
Specifications

		EV-2660-NKBQ	EV-2660-NKBAQ	EV-2661-NKBQ
Type		Indoor Dome Camera		
CCD		1/3" Sony Super HAD Color		
Resolution		Color: 520 TV Lines	Color: 520 TV Lines B/W: 550 TV Lines	
Pickup elements		768x494 pixels		
Video output format		NTSC		
Video output		1.0Vp-p composite video, 75Ω		
Lens		2.8~10.5mm, F1.2 Tarmon lens		
Minimum illumination		Color: 0.3-lux	Color: 0.3-lux B/W: 0.002-lux	
S/N ratio		>48dB		
Sync		Internal		
White balance		Automatic		
#IR LEDs		N/A	36	
IR wavelength		N/A	860nm	
IR range		N/A	118' (36m)	
Power source		12VDC	12/24 VAC/VDC	
Current draw	LEDs off	DC: 180mA	DC: 180mA AC: 4.3W	
	LEDs on	N/A	DC: 480mA AC:12W	
Operating temperature		14°~122° F (-10°~50° C)		
Dimensions		5 1/8"x4" (130x105 mm)		
Weight		15-oz (420g)		

Parts List

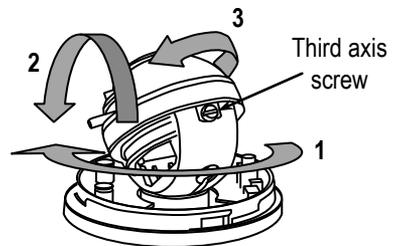
- | | | |
|---------------------|-----------------|---------------------------------|
| 1 x Camera | 1 x Screwdriver | 1 x Service monitor adapter |
| 2 x Mounting screws | 1 x Manual | 1 x DC plug with terminal block |

Dimensions



EV-2661-NKBQ shown. Dimensions are the same for all three models.

Using the 3-Axis Gimbal

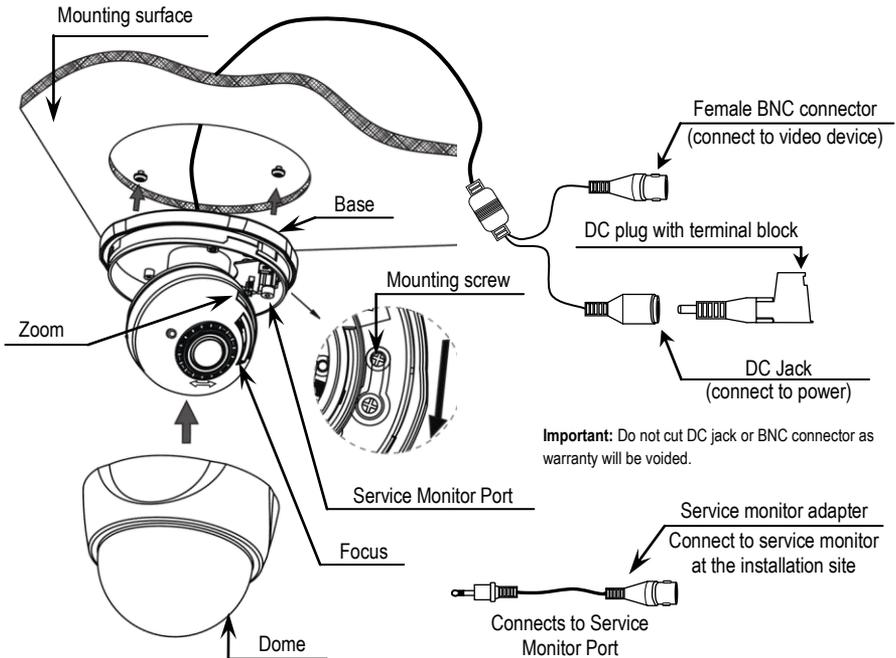


1. To adjust the horizontal pan, turn the camera ball by hand up to 360°.
2. To adjust the vertical tilt, tilt the camera ball by hand.
3. To adjust the angle of the third axis, loosen the screw and twist by hand. Tighten the screw when finished.

EV-2660-NKBQ or EV-2660-NKBAQ shown. Gimbal adjustment is the same for all three models.

Installation

EV-2660-NKBQ or EV-2660-NKBAQ shown. Installation is the same for all three models.



Before Starting

1. This product was designed for indoor use only. Do not mount the CCTV camera where it is exposed to rain or other moisture, or in humid or dusty places.
 2. Do not point the CCTV camera at the sun. Heat could damage the camera, even when not in use.
 3. Do not mount the CCTV camera in areas exposed to radiation, strong magnetic fields, or strong electrical signals.*
 4. Do not open or disassemble the camera. There are no user serviceable parts inside.
 5. Do not drop the camera or subject it to strong vibrations.
- * **Note:** Many video monitors produce strong electromagnetic fields close to the display CRT, especially when the monitor is turned on or during de-Gaussing, which occurs automatically with many monitors when the monitor is turned on.

Installation

1. Remove the dome by twisting counterclockwise. Be careful not to scratch the dome. **Do not touch any of the components inside the dome.**
2. Temporarily connect the camera to the video monitor via the video cable. If a service monitor is available, use the included service monitor adapter.
3. Temporarily connect the camera to a 12VDC power source. (24VAC may be connected for EV-2660-NKBAQ and EV-2661-NKBQ).
4. Hold the base of the dome camera with your hand against the ceiling, and try various locations and angles while watching the video monitor to find the location which offers the best protection. Mark that location with a pencil.
5. Run a hidden, permanent video cable from the monitor to the mounting location.
6. Run a hidden cable from the power supply to the mounting location.
7. Connect the two cables to the dome camera. **Do not cut any wires, as warranty will be voided. If needed, use the included DC plug with terminal block.**
8. Mount the base to the ceiling at the selected location.
9. Use the 3-axis gimbal to adjust the angle of the camera. (See opposite page for further instructions.)
10. Make any necessary adjustments to the Zoom and Focus by pulling the respective levers out and turning them clockwise or counterclockwise.
11. Replace the dome, taking care not to touch the camera or scratch the dome.
12. Test the camera again under the exact lighting conditions under which it is expected to be used.

Troubleshooting:

The screen is blank.	<ul style="list-style-type: none">• Check that the camera is powered up.• Check that the power supply's polarity is correct.• Check that the monitor is powered up.• Check that the video cable connecting the camera to the monitor is connected properly.
The screen image is dim	<ul style="list-style-type: none">• Clean the lens using a soft, clean cloth.• Check that the light source is adequate.
The screen image has poor contrast.	<ul style="list-style-type: none">• Change the position of the camera.
The screen image flickers.	<ul style="list-style-type: none">• Change the position of the camera.
The screen image is distorted.	<ul style="list-style-type: none">• Change the position of the camera.
The camera case is hot.	<ul style="list-style-type: none">• Check that the correct power supply is in use.
IR LEDs do not turn on.	<ul style="list-style-type: none">• Check that the correct power supply is in use.

IMPORTANT

Users and installers of this product are responsible for ensuring this product complies with all national, state, and local laws and statutes related to monitoring and recording audio and video signals. SECO-LARM will not be held responsible for the use of this product in violation of any current laws or statutes.

WARNING

Stop using the camera if you see a malfunction such as smoke or unusual heat, as it could cause fire or electric shock. Do not open the case of this device, as there are no field-serviceable components inside.

FCC COMPLIANCE STATEMENT

Information to the user: This equipment has been tested and found to comply with the limits for a class B digital device, pursuant to part 15 of the FCC rules. These limits are designed to provide reasonable protection against harmful interference when the equipment is operated in a commercial environment. This equipment generates, uses, and can radiate radio frequency energy and, if not installed and used in accordance with the instruction manual, may cause harmful interference to radio communications. Operation of this equipment in a residential area is likely to cause harmful interference in which case the user will be required to correct the interference at his or her own expense.

WARRANTY: This SECO-LARM product is warranted against defects in material and workmanship while used in normal service for a period of one (1) year from the date of sale to the original consumer customer. SECO-LARM's obligation is limited to the repair or replacement of any defective part if the unit is returned, transportation prepaid, to SECO-LARM.

This Warranty is void if damage is caused by or attributed to acts of God, physical or electrical misuse or abuse, neglect, repair or alteration, improper or abnormal usage, or faulty installation, or if for any other reason SECO-LARM determines that such equipment is not operating properly as a result of causes other than defects in material and workmanship.

The sole obligation of SECO-LARM, and the purchaser's exclusive remedy, shall be limited to replacement or repair only, at SECO-LARM's option. In no event shall SECO-LARM be liable for any special, collateral, incidental, or consequential personal or property damages of any kind to the purchaser or anyone else.

NOTICE

The information and specifications printed in this manual are current at the time of publication. However, the SECO-LARM policy is one of continual development and improvement. For this reason, SECO-LARM reserves the right to change specifications without notice. SECO-LARM is also not responsible for misprints or typographical errors.

Copyright © 2010 SECO-LARM U.S.A., Inc. All rights reserved. This material may not be reproduced or copied, in whole or in part, without the written permission of SECO-LARM.

SECO-LARM U.S.A., Inc.

16842 Millikan Avenue, Irvine, CA 92606
Tel: 800-662-0800 / 949-261-2999

Website: www.seco-larm.com
E-mail: sales@seco-larm.com

 PIKPR1

MIEV-266x-NKB_1008.docx

Free Manuals Download Website

<http://myh66.com>

<http://usermanuals.us>

<http://www.somanuals.com>

<http://www.4manuals.cc>

<http://www.manual-lib.com>

<http://www.404manual.com>

<http://www.luxmanual.com>

<http://aubethermostatmanual.com>

Golf course search by state

<http://golfingnear.com>

Email search by domain

<http://emailbydomain.com>

Auto manuals search

<http://auto.somanuals.com>

TV manuals search

<http://tv.somanuals.com>