

ENFORCER[®]

VIDEO

16-Port Passive Transceiver Hub

EVT-PH16-4T2

Range: Up to 2,000' (6100m)
Video ● Data ● Surge Protection

The EVT-PH16-4T2 allows up to 16 color or monochrome CCTV cameras to be connected via inexpensive CAT 5e unshielded twisted pair (UTP) cable to a video switcher or multiplexer. It cuts the cost and complexity of security networks by eliminating the need to run expensive coax cable to multiple CCTV cameras. A built-in RS485 port allows the transmission of PTZ (pan/tilt/zoom) signals to up to 16 CCTV cameras or other devices.

Features:

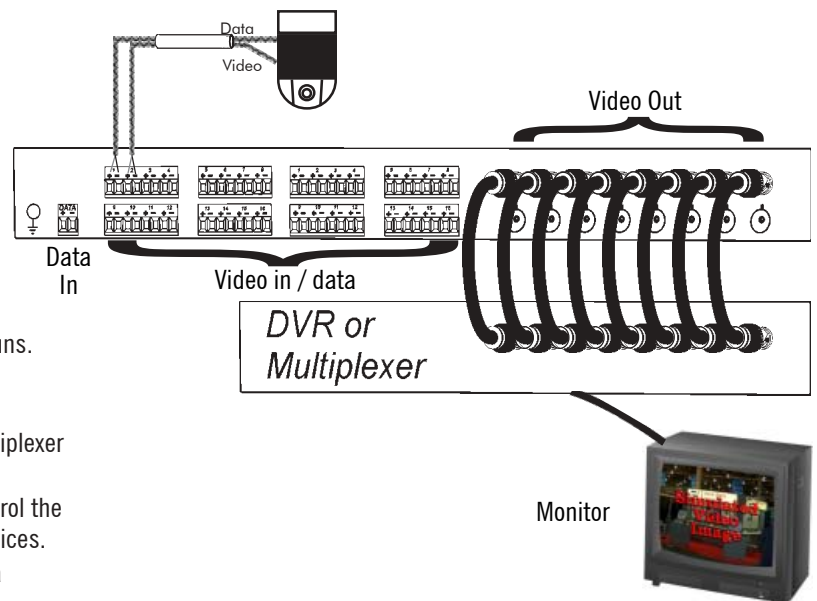
- ▶ Connects up to 16 CCTV cameras using low-cost CAT 5e UTP cable to a central location.
- ▶ Works in conjunction with passive video or active video baluns.
- ▶ Works with full-motion CCTV cameras up to 2,000 feet (610 meters) away via passive video baluns.
- ▶ Feeds the camera signals to nearly any standard video multiplexer or switcher or digital video recorder via coax cables.
- ▶ Built-in RS485 port connects to a PC or other device to control the pan, tilt, and zoom (PTZ) of up to 16 remote cameras or devices.
- ▶ Compact enclosure, only 1U (1.75 inches) high. Mounts in a standard 19-inch rack.
- ▶ Built-in transient protection and interference technology for existing UTP cables.
- ▶ Complete passive operation, no power required.

Specifications:

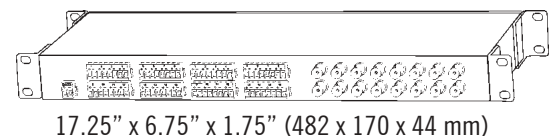
| | |
|----------------------------|--|
| Video input ports | 16 x 2-wire ports on removable terminal blocks |
| Video input cables | Unshielded twisted pair (UTP), min. CAT 2. Use CAT 5e or better for best range and video signal. |
| Video output ports | 16 x BNC connectors, each 1Vp-p, 75 ohms. |
| Video output cables | Coax. |
| Data input | 1 x 2-wire port, for PTZ control signals from a PC. |
| Data output | 16 x 2-wire ports on removable terminal blocks. |
| Power | No power required. |
| Surge protection | Video and data |
| Size | 1U form factor, 17.25" x 6.75" x 1.75" (482 x 170 x 44 mm) |
| Weight | 4.9 lb. (2.2kg) |
| Material | Steel cabinet, black matte finish. |



Typical Installations:



Dimensions:



The SECO-LARM policy is one of continual development. For that reason, SECO-LARM reserves the right to change prices and specifications without notice. SECO-LARM is not responsible for misprints. Balunse.pmd

Free Manuals Download Website

<http://myh66.com>

<http://usermanuals.us>

<http://www.somanuals.com>

<http://www.4manuals.cc>

<http://www.manual-lib.com>

<http://www.404manual.com>

<http://www.luxmanual.com>

<http://aubethermostatmanual.com>

Golf course search by state

<http://golfingnear.com>

Email search by domain

<http://emailbydomain.com>

Auto manuals search

<http://auto.somanuals.com>

TV manuals search

<http://tv.somanuals.com>