



ISD300



User Manual

Version 1.0

Manufactured by
SEH Computertechnik GmbH
Suedring 11
33647 Bielefeld
Germany
Phone: +49 (0)521 94226-29
Fax: +49 (0)521 94226-99
Support: +49 (0)521 94226-44
Email: info@seh.de
Web: <http://www.seh.de>

© 2005 SEH Computertechnik GmbH

All trademarks, registered trademarks, logos and product names are property of the respective owners.



| | |
|---|-----------|
| General Information | 4 |
| Purpose | 4 |
| Technical Data | 4 |
| Safety Regulations..... | 5 |
| First Steps..... | 6 |
| Manual | 7 |
| Support Information | 7 |
| Using the Panel Interface..... | 8 |
| How to switch on the ISD300?..... | 9 |
| How to switch off the ISD300?..... | 9 |
| How to get information from the front display? | 9 |
| Using the ISD300 Homepage..... | 10 |
| How to open the ISD300 Homepage? | 10 |
| How to log on to the ISD300 Homepage? | 11 |
| Structure of the ISD300 Homepage..... | 11 |
| Network Settings | 13 |
| How to set TCP/IP Parameters? (IP, Netmask, Gateway)..... | 13 |
| How to set a Host Name? | 15 |
| How to set Date and Time? | 16 |
| How to set DNS? | 17 |
| How to configure via Quick Setup?..... | 17 |
| Microsoft Authentication (SMB)..... | 20 |
| How to display MS Windows Network information?..... | 21 |
| How to use the ISD300 as a member of a Domain? (Windows NT or Active Directory)..... | 21 |
| How to use the ISD300 as Stand-Alone Server? (Local Authentication) | 23 |
| How to set Local Users and Groups? | 23 |
| How to set a Printer Administrator Account? | 25 |
| Managing Print Drivers | 26 |
| How to prepare the ISD300 for'Point and Print'? | 26 |
| How to store Drivers on the ISD300? (Windows XP/2000) | 27 |
| How to store Drivers on the ISD300? (Windows NT 4.0)..... | 28 |
| How to assign Windows Print Driver to several Queues?..... | 28 |
| How to use 'Point and Print' with your PC client? | 29 |
| Managing Queues and Jobs | 30 |
| Types of Queues | 31 |
| How to create a Queue? | 33 |
| How to modify a Queue? | 36 |



How to stop or restart a Queue? (Accumulate Print Jobs).....36
How to reject or accept Print Jobs?36
How to assign a Filter Application (3party software) to a Queue? ...37
How to delete a Queue?37
How to display all active Jobs?37
How to display a Job History?.....38
How to manage a Print Job?.....38
How to move a Print Job to another Queue?38
How to print one Job on several Printers? (Copy Queue).....39
How to keep printed Jobs in a Queue?39
How to manage Jobs in the Repository39
How to print a Test Page?.....41

Printing methods 42

LPD Printing42
Point & Print42
IPP Printing42
Socket Printing43
ThinPrint®43

Using ISD300 as DHCP / DNS Server 44

How to set the DHCP Service?44
How to display the lease file?.....46
How to set DNS Server?46
How to start/stop the DHCP or DNS Server?.....48

Security..... 49

Panel Lock (PIN)49
Login Accounts.....50
Certificates52
IP Sender Protection (Restricting Printing Access).....55

Maintenance 57

How to get Board Information?57
How to configure e-mail or SNMP trap notifications?.....59
How to update Firmware or Software?.....61
How to create a Backup?61
How to reboot the ISD300?.....62
How to install Software?.....62
How to delete Software?63

Parameter Description 64

Index 65



General Information

Purpose

The ISD300 was developed as an appliance to spool and manage print jobs and to handle print queues.

In complex networks with high volumes of data traffic and in large-scale structures, the ISD300 can substantially relieve server load and remove strain from the network. This results in better performance and enhanced system stability.

The ISD300 adds server qualities to the printing in peer-to-peer networks. Enhanced transparency, higher performance and the central management of all print processes result in maximum efficiency and very little time required for maintenance and system updates.

The ISD300 is able to accept print jobs from various operating systems and to forward them to the printer via Socket, LPD, or IPP.

Technical Data

| Data | Values |
|--|---|
| Network connector | RJ-45 connector for 10BaseT and 100BaseTX |
| Interfaces | 2 x USB 2.0 HS |
| Print protocols (Client -> ISD300) | LPD, SMB, Socket, IPP, ThinPrint |
| Print protocols (ISD300 -> printer) | LPD, Socket, IPP |
| Power supply | 100-240 VAC |
| Current input | max. 0.25 A |
| Ambient temperature | 5 - 30 °Celsius |
| Relative humidity | 20 - 80 % |
| Width x Depth x Height | 215 x 186 x 47 mm |
| Weight | 1500 g |



Safety Regulations

Before starting the initial operation procedure and during the operation procedure of the ISD300, please read the following safety regulations:

- The ISD300 may only be connected to the mains and to the network by qualified personnel.
- Do not open the housing of the device. The ISD300 may only be connected and operated if the housing is not opened and if the ISD300 is in perfect condition. Do not put objects on top of the housing.
- The ISD300 must be placed on a solid surface with no vibration. The device must not be operated in dusty places and direct sunlight. Avoid contact with humidity or liquids. The ISD300 may only be connected and operated if the installation location meets the ambient conditions; see: Technical Data on page 4.
- If the supplied power cord cannot be used in your country, acquire an appropriate power cord that suits national provisions. For more information, please consult your retailer.
- Make sure that no-one steps on or stumbles over the cables.
- The ISD300 must be connected to a socket with protective contact.
- Position the ISD300 in a way that guarantees that the socket for the connection of the power cord is in the proximity of the device and is easily accessible. Make sure that the device can be separated easily from the network. A damaged power cord must be replaced immediately. For more information, please consult your retailer.
- Do not connect a telephone cable to the RJ-45 connector. The RJ-45 connector may only be connected to SELV voltages. For the connection to the RJ-45 connector only S/UTP cabling (category 5 or better) may be used. The shielding must fit flushly to the connector.
- Use a certified USB Hi-Speed cable to connect the printer. A list of certified cables may be found at www.usb.org !



First Steps

Follow the steps to configure the ISD300 quickly and easily. After that, the ISD300 is ready for operation.

1. Connect the ISD300 to the network and the power supply. For further information see the Quick Installation.
2. Switch on the ISD300; see: How to switch on the ISD300? on page 9.
3. Configure the IP Settings; see: Setting TCP/IP parameter manually via panel interface on page 13.
4. Start the ISD300 Homepage; see: How to open the ISD300 Homepage? on page 10.
5. Log on the the ISD300 Homepage; see: How to log on to the ISD300 Homepage? on page 11.
6. Configure TCP/IP Network Settings and identify the printers in the network; see: Network Settings on page 13.
7. Configure Microsoft[®] Network Settings and define a printer administrator account; see: Microsoft Authentication (SMB) on page 20.
8. Install the drivers; see: Managing Print Drivers on page 26.
9. Configure the printer queues; see: Managing Queues and Jobs on page 30.



Manual

This manual is intended to help you to configure the ISD300. You can download the latest version from:

<http://www.seh-technology.com/support>

The manual is available in PDF (User Manual) and HTML (Online Manual) format.

- The PDF User Manual requires a PDF reader. We recommend Adobe Acrobat. You may already have a version of this on your computer. If not, please find the Acrobat Reader Software on the InterCon CD or on the Adobe website.
- The HTML Online Manual can be found on the InterCon CD and installed directly on the ISD300. The installation of the Online Manual is similarly to the installation of filters on the ISD300; see: How to install Software? on page 62. After the installation the Online Manual can be started via ISD300 Homepage. Please click the 'Help' Button on the 'Login' page.

Support Information

If questions remain which cannot be clarified by the documentation, please contact our hotline, where we will readily provide you with the necessary assistance.

Support hotline: +49 (0)521 94226-44

Monday - Thursday 8:00 a.m. to 5:45 p.m.

Friday 8:00 a.m. to 4:15 p.m. (CET)

Email: support@seh.de



Using the Panel Interface

A number of actions can be carried out via the unit's operating panel. The figure shows the components of the panel interface.

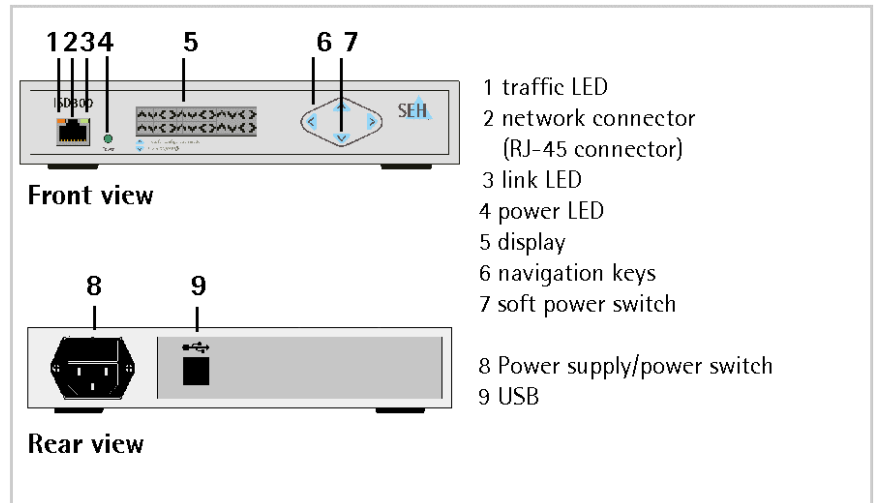


Figure: ISD300 front and rear view

The ISD300's operating panel can be protected from unauthorized access with a 4-digit PIN. The administrator sets the PIN on the ISD300 Homepage. If the panel is locked, the requested PIN is entered directly on the device.

The following actions can be carried out via the panel interface:

- How to switch on the ISD300?
- Entering the PIN
- How to get information from the front display?
- How to switch off the ISD300?
- Setting TCP/IP parameter manually via panel interface
- Setting TCP/IP parameter automatically (DHCP) via panel interface



How to switch on the ISD300?

Proceed as follows:

1. *Switch on the power switch on the backside.*
2. *Switch on the soft power switch ▼ on the frontside.*

The ISD300 boots automatically.

How to switch off the ISD300?

Print jobs that are halted by the device being switched off will not be completed. Print jobs in a queue will be completed when the device reboots. This also applies in the case of power failures. To avoid loss of data, shutdown the ISD300 before you switch off the power switch.

Proceed as follows:

1. *Keep ▼ pressed for five seconds.
The device shuts down and switches off.*
2. *Switch off the power switch on the backside.*

How to get information from the front display?

It is possible to get the following informations via the display of the panel interface:

- IP Address,
- Date and Time,
- Harddisk usage,
- MAC Address

To get information use the navigation key ◀ on the ISD300. The information is indicated in sequence.



Using the ISD300 Homepage

Initial installation, configuration and subsequent administration of the ISD appliances as well as management of the relevant network printers can be carried via the integrated web server (ISD300 Homepage). Administration is entirely independent of operating systems and locations, so it can be done from any workstation within the network.

Exception: With the 'Point and Print' method the driver installation and editing of the user rights is adjusted via a Client PC.



Only versions of Netscape Navigator 4.0 or later and Microsoft Internet Explorer 4.0 or later are supported. For the display we recommend a resolution of 1024 x 768 Pixel at least.

After start the ISD300 Homepage the 'Login' dialog appears. Access to the ISD300 Homepage is defined for three user groups.

Which information do you need?

- How to open the ISD300 Homepage?
- How to log on to the ISD300 Homepage?
- Structure of the ISD300 Homepage

How to open the ISD300 Homepage?

Before starting the ISD300 Homepage it is necessary to assign an IP Address to the ISD300; see How to set TCP/IP Parameters? (IP, Netmask, Gateway)

1. *Start your web browser.*
2. *Enter the IP address of the ISD300 as URL.
The ISD300 Homepage is displayed. If the Homepage is not displayed, check the proxy settings of your browser.*

After the Homepage was started you have to log on; see: How to log on to the ISD300 Homepage? on page 11.



How to log on to the ISD300 Homepage?

Access to the ISD300 is defined for three user groups: 'Any', 'User', and 'Admin'. For further information see: Login Accounts on page 50.

The instructions describe the login as administrator.

1. Start the ISD300 Homepage
2. Click **Admin**.
3. Enter the user name and the password:
user name: 'admin' (default setting)
password: 'admin' (default setting)
4. Click **OK** to confirm.
The user interface for the administrator is displayed.

Structure of the ISD300 Homepage

The main menu is displayed on the left side of the dialog. After a menu point was selected the submenu will appear at the top of the dialog.



Figure: Administrator Login



After login some basic information about the ISD300 are displayed. In addition to details about the login, the host name and the IP address, you get the following information:

Table: Parameter Information - Home

| Parameter | Description |
|---------------------------|---|
| Software version | Release number of the software |
| Firmware version | Release number of the firmware |
| Print queues | Number of print queues on the ISD300 |
| Print jobs | Number of print jobs at present on the ISD300 |
| Hard disk usage | Used hard disk capacity |
| Memory usage | Used RAM capacity |
| Connected windows clients | Number of Windows clients connected to the ISD300 |

More detailed information about board settings can be found in **Maintenance**. More detailed information about queues can be found in **Queues/Jobs**.



Network Settings

In order to work with the ISD300, Host, Date and TCP/IP parameters must be set. In order to set all parameters, use the Quick Setup for an easy configuration.



ISD300 Network settings can be configured by administrators only.

What do you want to do?

- How to set TCP/IP Parameters? (IP, Netmask, Gateway)
- How to set a Host Name?
- How to set Date and Time?
- How to set DNS?
- How to configure via Quick Setup?

How to set TCP/IP Parameters? (IP, Netmask, Gateway)

The TCP/IP parameter can be set in different ways. You can assign the TCP/IP parameter manually or have it assigned automatically via DHCP (Dynamic Host Configuration Protocol). The manually assignment is default. You can set the TCP/IP parameter via the panel interface or the ISD300 Homepage.

What do you want to do?

- Setting TCP/IP parameter manually via panel interface
- Setting TCP/IP parameter automatically (DHCP) via panel interface
- Setting TCP/IP parameter via ISD300 Homepage

Setting TCP/IP parameter manually via panel interface

Use the navigation keys on the panel interface to assign the TCP/IP parameter manually.



Proceed as follows:

1. Press **▲**.
IP Setup|Cancel *appears in the display.*
2. Press **▶** to confirm.
IP Configuration *appears in the display.*
3. Select Manual via **▲▼**.
4. Press **▶** to confirm.
IP Address:000.000.000.000 *appears in the display.*
5. Enter the IP address.
Use **◀▶** to navigate to individual numerical values within the IP address. Change individual numerical values via **▲▼**.
6. Press **▶** to confirm.
Netmask:000.000.000.000 *appears in the display.*
7. Enter the netmask.
8. Press **▶** to confirm.
Gateway:000.000.000.000 *appears in the display.*
9. Enter the gateway.
10. Press **▶** to confirm.
Apply|Back *appears in the display.*
11. Press **▶** to confirm.

The settings are saved.

Setting TCP/IP parameter automatically (DHCP) via panel interface

Use the navigation keys on the panel interface to set TCP/IP parameter via DHCP.

Proceed as follows:

1. Press **▲**.
IP Setup|Cancel *appears in the display.*
2. Press **▶** to confirm.
IP Configuration *appears in the display.*
3. Select DHCP via **▲▼**.



4. Press **▶** to confirm.
Apply | Back appears in the display.
5. Press **▶** to confirm.

Upon booting DHCP will be applied automatically. TCP/IP parameters are assigned by a DHCP server.

Setting TCP/IP parameter via ISD300 Homepage

Proceed as follows:

1. Click **Configuration**.
2. Click **TCP/IP**.
3. Enter the TCP/IP parameter manually or enable the 'DHCP' option; see Table: Parameter Settings - TCP/IP.
4. Click **Set**.

Table: Parameter Settings - TCP/IP

| Parameter | Description |
|------------|---|
| IP address | IP address of the ISD300 (e.g. 192.168.0.21) |
| Netmask | Netmask |
| Gateway | IP address of the gateway used to access other networks or subnets. This enables the ISD300 to communicate with devices on other subnets. |
| DHCP | Enable DHCP to set TCP/IP parameter via DHCP. The TCP/IP parameters are assigned by a DHCP server during the next reboot of the ISD300. |

How to set a Host Name?

You can set a host name for the ISD300. The host name and the IP address are displayed at the top left side of the browser window.

Proceed as follows:

1. Click **Configuration**.
2. Click **Board Settings**.



3. Enter the Host name (max. 256 characters).
4. Click **Set**.

How to set Date and Time?

Date and time specifications are necessary if you want to display the time at which the print job was printed. Date and time specifications are displayed in the Job History.

Date and time can be entered manually during the Quick Setup also; see: How to configure via Quick Setup? on page 17.

Date and time can be adjusted manually or obtained from a time server.



If you use a time server, the manually entered time will be overwritten by the time provided by the time server.

Proceed as follows:

1. Click **Configuration**.
2. Click **Board Settings**.
3. Enter time and date or use a time server; see Table: Parameter Settings - Board.
4. Click **Set**.

Table: Parameter Settings - Board

| Parameter | Description |
|--------------|---|
| Default name | Default name of the ISD300 set by the manufacturer |
| Host name | Host name of the ISD300 set by the administrator (max. 256 characters) |
| Date | Date in the format: dd.mm.yyyy (e.g. 23.05.2004) |
| Time | Time in the format: hh:mm (e.g. 16:36) |
| Time server | IP address or the host name of the time server (e.g. 'ntp1.ptb.de') The 'ntp' protocol is used. |



| Parameter | Description |
|-----------|---|
| Time zone | Select a time zone. The difference between the local time and the Greenwich Mean Time or UTC (Universal Time Coordinate) provided by the time server. |

How to set DNS?

DNS is service that translates domain names into IP addresses. Using DNS, names can be assigned to IP addresses and vice versa. In order to use this functionality, specify the primary DNS server by its IP address.

Proceed as follows:

1. Click **Configuration**.
2. Click **DNS**.
3. Enter the data; see Table: Parameter Settings - DNS.
4. Click **Set**.

Table: Parameter Settings - DNS

| Parameter | Description |
|----------------------|---|
| Domain name | Domain name of an existing DNS domain (e.g. company.de) |
| Primary DNS server | IP address of the primary DNS server (e.g. 192.168.0.21) |
| Secondary DNS server | IP address of the secondary DNS server. The secondary DNS server is used if the first one is not available. |
| Domain search list | Suffixes for the domain search list separated by blanks (e.g. soft.seh.de) |

How to configure via Quick Setup?

The Quick Setup is intended for setting up initial parameters and queues. A prerequisite for the Quick Setup is that you are logged on as administrator on the ISD300 Homepage.



The Quick Setup involves four steps:

- general settings
- TCP/IP parameters
- the search for available printers in the network
- the setting up of queues

Proceed as follows:

1. Click **Quick setup**.
2. Enter the host name, date, and time.
3. Click **Next** to confirm.
4. Enter the TCP/IP parameter.
5. Click **Next** to confirm.
6. Enter a start and end IP address for the printer search. A maximum of 255 IP addresses can be searched through at a time.
7. Click **Next** to confirm.
You will get a message of the number of printers found in the network.
8. Click **OK** to confirm.
A list of printers is displayed.
9. Enter a name for the queues in the column **Queue name**; see: Queue Name Conventions on page 18.
10. Click **Install**.
*The name of the queue appears dimmed in the column **Queue name**.*
11. Click **Finish setup**.

Table: Queue Name Conventions

| Queue Name Conventions |
|--|
| <ul style="list-style-type: none">- letters and numbers are allowed- hyphens and underscores are allowed- no space characters- no more than 32 characters (Windows 98 max. 15 characters) |



If you want to use 'Point and Print', we recommended to assign print drivers to the queues after the Quick Setup; see: Managing Print Drivers on page 26.



Microsoft Authentication (SMB)

MS Windows client access to installed queues can be restricted by using the SMB protocol. This method uses users and groups with associated passwords. The list of users and groups can be managed locally or taken from a Windows Domain Controller or Active Directory Server.

MS domain security is a characteristic that allows administrators to authorize or restrict print administration and services to define users and groups by using their existing user name and password of the domain.

A domain is a collection of network servers and other computers that share a security and user account for each user. A user logs on to the domain and not to individual servers in the domain.



Microsoft Authentication settings can be managed by administrators only.

What do you want to do?

- How to display MS Windows Network information?
- How to use the ISD300 as a member of a Domain? (Windows NT or Active Directory)
- How to use the ISD300 as Stand-Alone Server? (Local Authentication)
- How to set Local Users and Groups?
- How to set a Printer Administrator Account?



How to display MS Windows Network information?

Click **SMB printing** in the main menu to open the **MS Windows** page. The page displays the following information depending from the setups.

Table: Parameter Information - MS Windows

| Parameter | Description |
|--------------------------------|---|
| Host / Net BIOS name | NetBIOS name of the ISD300 |
| WINS server | IP address or host name of the WINS server |
| Workgroup | Name of the workgroup |
| (Active Directory) Domain name | Name of the domain |
| Password server | IP address (e.g. 192.168.0.112) or DNS name (e.g. security.seh.de) of the password server |
| Server role | Role of the ISD300 in the network environment |
| Status | Member or not a member of a domain |

How to use the ISD300 as a member of a Domain? (Windows NT or Active Directory)

Microsoft domain security is a feature that allows administrators to easily authorize or restrict print administration and services to specific groups or users by using their existing user name and password of the domain.

If the ISD300 is member of a domain (Windows NT or Active Directory) users are authenticated against user and group accounts of the selected domain.

Proceed as follows:

1. Click **SMB printing**.
2. Click **Change**.
3. Select **Domain member**.



4. Click **Next**.
5. Select the Domain controller.
Use the NTLM method to authenticate users against the Active Directory or NT 3.5x/4.0 domain controller.
Use Kerberos to authenticate users against the Active Directory domain controller.
6. Click **Next**.
7. Enter the data; see Table: Parameter Settings - MS Windows Domain member.
8. Click **Next**.
9. Enter administrator account and password.
To create a computer account on the domain controller you need to use a Windows account with administrative rights on the domain controller.
10. Click **Next**.

Table: Parameter Settings - MS Windows Domain member

| Parameter | Description |
|------------------------------|--|
| NetBIOS name | NetBIOS name of the ISD300 |
| Active Directory domain name | Name of the domain Use the full Active Directory domain name. E.g. <i>MYDOMAIN.MYCOMPANY.COM</i> or <i>thisdomain.local</i> |
| ----- | ----- |
| Domain | Name of the domain |
| Password server | IP address of the password server. Leave blank or use * for auto selection. (NT Domain only) |
| WINS server | IP address (e.g. 192.168.0.227) of the WINS server |



How to use the ISD300 as Stand-Alone Server? (Local Authentication)

The ISD300 is used as Stand-Alone-Server in the network environment. Users are authenticated against the local user- and group accounts. For further information; see: How to set Local Users and Groups? on page 23.

Proceed as follows:

1. Click **SMB printing**.
2. Click **Change**.
3. Select **Stand-Alone server**.
4. Click **Next**.
5. Enter a workgroup.
6. Enter the IP address of the WINS server.
7. Click **Next**.

The Network settings are changed.

How to set Local Users and Groups?

'Local Users and Groups' is an important security feature because the administrator can limit the ability of users and groups to perform certain actions by assigning them rights and permissions. Local user or group is an account that can grant permissions and rights.



Local users and groups can be managed by the administrators only.

What do you want to do?

- Creating a user
- Deleting a user
- Changing the password of a user
- Assigning a user to groups
- Creating a group
- Deleting a group



Creating a user

Proceed as follows:

1. Click **SMB printing**.
2. Click **Local users&groups**.
3. Click **Create new user**.
4. Enter the username and the password. System user- and groupnames (root, LP, sys, users...) cannot be used.
5. Confirm the new password.
6. Click **Create**.

Deleting a user

Proceed as follows:

1. Click **SMB printing**.
2. Click **Local users&groups**.
3. Choose a user.
4. Click **Delete user**.

Changing the password of a user

Proceed as follows:

1. Click **SMB printing**.
2. Click **Local users&groups**.
3. Choose a user.
4. Click **change password**.
5. Enter the password.
6. Confirm the new password.
7. Click **Set**.

Assigning a user to groups

Proceed as follows:

1. Click **SMB printing**.
2. Click **Local users&groups**.
3. Choose a user.



4. Click **Set group membership**.
5. Assign the groups via the **Add** and the **Remove** button.
6. Click **Set**.

Creating a group

Proceed as follows:

1. Click **SMB printing**.
2. Click **Local users&groups**.
3. Click **Local groups**.
4. Click **Create new groups**.
5. Enter a group name.
6. Click **Create**.

Deleting a group

Proceed as follows:

1. Click **SMB printing**.
2. Click **Local users&groups**.
3. Click **Local groups**.
4. Choose a group.
5. Click **Delete group**.

How to set a Printer Administrator Account?

The specified Windows account can upload printer drivers on the ISD300 and change printing defaults. If no account is specified, administrative access to the ISD300 from Windows clients is disabled. The 'printer administrator' is selected from a list of 'local users/groups' or domain members.

Proceed as follows:

1. Click **SMB printing**.
2. Click **Printer administrator**.
3. Choose a user or group from the list.
4. Click **Set**.



Managing Print Drivers

In order to print, assign a driver to the queues. If you want to assign a driver to a queue via 'Point and Print', store the driver on the ISD300 first.

If required, the 'Point and Print' function automatically installs the relevant drivers on the clients. To make use of this function, the respective drivers must be centrally stored on the relevant ISD appliance beforehand.



Print drivers can be managed by administrators only.

What do you want to do?

- How to prepare the ISD300 for 'Point and Print'?
- How to store Drivers on the ISD300? (Windows XP/2000)
- How to store Drivers on the ISD300? (Windows NT 4.0)
- How to assign Windows Print Driver to several Queues?
- How to use 'Point and Print' with your PC client?

How to prepare the ISD300 for 'Point and Print'?

Point and Print (automatic printer driver installation) is the easiest and quickest way to print in heterogeneous Microsoft networks via the ISD300. All necessary files and configuration information are automatically downloaded from the print server to the client.

Note the following aspects if you want to use Point and Print:

- All necessary printer drivers must be stored on the ISD300; see: How to store Drivers on the ISD300? (Windows XP/2000) on page 27 or see: How to store Drivers on the ISD300? (Windows NT 4.0) on page 28.
- The stored printer drivers need to be assigned to the queues; see: How to assign Windows Print Driver to several Queues? on page 28.



- The printer drivers that are required for printing will be installed automatically on the connected clients; see: How to use 'Point and Print' with your PC client? on page 29.

How to store Drivers on the ISD300? (Windows XP/2000)

In heterogeneous networks, a separate printer driver has to be stored on the ISD300 for each operating system. If there are, for example, clients with the operating systems Windows XP and Windows 98, you have to store the printer drivers on the ISD300 for both operating systems.



Print drivers can be stored by printer administrators only. For further information see: How to set a Printer Administrator Account? on page 25.

Proceed as follows:

1. Click **Run** on the start menu to establish a connection to the ISD300.
2. Enter the IP address of the ISD300.
Syntax: \\<IP address of the ISD300>
3. Click **OK**.
The connection will be established.
4. Click **Printers (and Faxes)**.
The window **Printers (and Faxes)** appears.
5. Click **Server Properties** on the **File** menu.
The window **Print Server Properties** appears.
6. Select the **Drivers** tab.
7. Click **Add**.
The Printer Driver Wizard is started.
8. Follow the instructions of the Wizard.
9. If you use further operating systems, install the relevant printer drivers.



How to store Drivers on the ISD300? (Windows NT 4.0)



Print drivers can be stored by printer administrators only. For further information see: How to set a Printer Administrator Account? on page 25.

Proceed as follows:

1. Click **Run** on the start menu.
2. Enter the **IP address** of the ISD300.
Syntax: \\<IP address of the ISD300>
3. Click **OK** to confirm.
4. Double-click **Printers**.
5. Double-click **New Printers**.
The window **Add Printer Wizard** appears.
6. Click **Next** to confirm.
7. Activate **Samba Printer**.
8. Click **Next** to confirm.
9. Follow the **Wizard**.
10. Click **Finish** to complete the installation.
An error Message appers.
11. Click **OK**.
The printer drivers have been installed on the ISD300 despite the error message.



A NT error message ('failed attempt to install a printer on the ISD300') can be ignored.

How to assign Windows Print Driver to several Queues?

If you want to assign a Windows driver to a queue, store the driver on the ISD300 first. For further information see: How to store Drivers on the ISD300? (Windows XP/2000) on page 27 or How to store Drivers on the ISD300? (Windows NT 4.0).



If no Windows driver has been stored on the ISD300, the 'Available drivers' box is empty. Print drivers can be assigned by administrators only.

Proceed as follows:

1. Click **SMB printing**.
2. Click **Windows drivers**.
3. Select the **queues**.
4. Choose a driver from the 'Available drivers' box.
5. Click **Assign**.

How to use 'Point and Print' with your PC client?

The following step finalizes the 'point and print' procedure. The assigned printer drivers will be installed on the client.

Proceed as follows:

1. Click **Run** on the Windows start menu.
2. Enter the IP address of the ISD300.
Syntax: \\<IP address of the ISD300>
3. Click **OK**.
4. Select the required queue.
5. Click **Connect** on the **File** menu.
The printer driver will be installed on the PC client.



Managing Queues and Jobs

There are different queue types. The queue type specifies which protocol is used to send the print data from the ISD300 to the network printer. For further information; see: Types of Queues on page 31.

Click **Queues/Jobs** in the main menu to open the **Print Queues** page. The page displays a list of all queues with details; see Table Parameter Information - Print Queues.

Table: Parameter Information - Print Queues

| Parameter | Description |
|--------------|--|
| Description | String describing the queue or the connected printer. (String can be edited by clicking 'modify'.) |
| Location | String describing the location of the connected printer. (String can be edited by clicking 'modify'.) |
| Host address | IP address or host name of the connected printer |
| State | Indicates the status of the queue |
| Jobs | Number of pending jobs |

The **Print Queues** page offer a list of features for the management of the print jobs and queues. These include:

- (Automatic) identification of all network printers
- Stopping and deleting print jobs
- Re-routing print jobs to alternative queues (e.g. when a printer is not operational)
- Creating, modifying and deleting print queues
- Blocking print queues (e.g. when a printer is not operational)
- Creating balance queues



- Creating copy queues (simultaneous print out of multiple copies on more than one printer)

What do you want to do?

- How to create a Queue?
- How to modify a Queue?
- How to stop or restart a Queue? (Accumulate Print Jobs)
- How to reject or accept Print Jobs?
- How to assign a Filter Application (3party software) to a Queue?
- How to delete a Queue?
- How to display all active Jobs?
- How to display a Job History?
- How to manage a Print Job?
- How to move a Print Job to another Queue?
- How to print one Job on several Printers? (Copy Queue)
- How to keep printed Jobs in a Queue?

Types of Queues

The queue type specifies which protocol is used to send the print data from the ISD300 to the network printer.

Table: Information - Queue Types

| Queue Type | Description |
|------------------------|---|
| TCP/IP socket printing | The queue Socket/HP JetDirect sends print jobs to a network printer that prints via TCP/IP socket printing. When creating the queue, the printer's IP address or host name and the TCP/IP port have to be specified. The same TCP/IP port must also be configured on the network card of the printer. |



| Queue Type | Description |
|------------------------|--|
| LPD | The LPD queue sends print jobs to a network printer that prints via the LPD protocol. When creating the queue, the printer's IP address or host name and the remote queue name as remote device have to be specified. |
| IPP | The IPP queue sends print jobs to a network printer that prints via IPP (Internet Printing Protocol). When creating the queue, the device URI of the printer's network card has to be specified. (Example for SEH print servers: ipp://host name/ipp/lp1) |
| USB printer | The USB printer queue sends print jobs to a printer that is connected to one of the USB ports of the ISD300. When creating the queue, you must specify the USB port to which the printer is connected. |
| Search Network Printer | <p>Search network printer searches via SNMP for network printers. When creating the queue, you must specify the IP address range to be searched through.</p> <p>The ISD300 searches through this address range and displays all detected network printers. By choosing one of the detected network printers, the network printer will be connected to the queue.</p> <p>Depending on the network card of the printer, the printing method (TCP/IP sockets, LPD, or IPP) will be selected automatically. The creation of a queue via Search Network Printer is identical to the creation of a queue during the Quick Setup.</p> |



| Queue Type | Description |
|---------------|--|
| Balance queue | <p>A balance queue can be used to print the print job on the next available printer. A balance queue contains subordinate queues as members which are, on their part, also assigned to the printers. When creating the queue, you must specify which queues are to be assigned as member.</p> <p>A prerequisite for using balance queues is that the connected printers are identical in construction or at least similar. It is possible to use a balance queue with printers of different manufacturers if these printers can be addressed via a common printer driver, such as the HP LaserJet5.</p> <p>The common printer driver is assigned to the queue and all printers will then use the settings of the common printer driver.</p> |
| Copy queue | <p>A copy queue can be used to print the print job on several printers. Subordinate queues are assigned to the copy queue as member. When a print job is sent to the copy queue, the print job is forwarded to all member queues. When creating the queue, you must specify which queues are to be assigned as member. A prerequisite for using copy queues is that the connected printers are identical in construction or at least similar.</p> <p>It is possible to use a copy queue with printers of different manufacturers if these printers can be addressed via a common printer driver, such as the HP LaserJet5. The common printer driver is assigned to the queue and all printers will then use the settings of the common printer driver. For further information; see: How to print one Job on several Printers? (Copy Queue) on page 39.</p> |

How to create a Queue?

Queues can be created in two ways.

Automatically

During set-up, all print servers / network printers available in the network are quickly identified by means of an automated search



routine, and made available as print queues. Using the Quick Setup; see: How to configure via Quick Setup? on page 17. Once the automatic search for available print servers fails to find a device, you can still setup, manually.

Manually

Proceed as follows:

1. Click **Queues/Jobs**.
2. Click **Create Queue**.
3. Enter the data; see: *Parameter Settings - Create Queue on page 34*.
4. Click **Next**.
5. Choose the queue type.
6. Click **Next**.
7. Enter the settings of the connected printer.
8. Click **Next**.

Table: Parameter Settings - Create Queue

| Parameter | Description |
|------------------------------|---|
| Create Queue - Step 1 | |
| Queue name | Queue name <i>Conventions</i> - letters and numbers are allowed - hyphens and underscores are allowed - no space characters - no more than 32 characters (Windows 98 max. 15 characters) |
| Description | description of the connected printer (optionally) |
| Location | location of the connected printer (optionally) |
| Create Queue - Step 2 | |
| Device type | see: Types of Queues on page 31 for further information |



| Parameter | | Description |
|--|---------------------------------|--|
| Create Queue - Step 3 <i>parameters depending from queue types</i> | | |
| Socket | Host name / IP address ----- | Host name or IP address of the printer (e.g. 192.168.0.21). ----- |
| | Port | TCP/IP Port of the printer. The same TCP/IP port must also be configured on the network card of the printer. |
| LPD | Host name / IP address ----- | Host name or IP address of the printer (e.g. 192.168.0.21) ----- |
| | Remote device | The remote queue name as remote device |
| IPP | Device URI | IPP devices are defined by Device URIs. (Uniform Device Identificator) Examples: <u>SEH Print Server:</u> ipp://hostname/ipp/lp1 http://hostname:631/ipp/lp1 <u>SEH ISD:</u> ipp://hostname/printers/queuename http://hostname:631/printers/queuename |
| USB | USB | Specify the USB port to which the printer is connected |
| Balance Queue | Members | Select the members (print queues) of the balance queue |
| Copy Queue | Members | Select the members (print queues) of the copy queue |
| Search Network Printer | search from to | Enter a start and end IP address (e.g. 192.168.0.21) for searching printers. A maximum of 255 IP addresses can be searched through. |



How to modify a Queue?

The description, location, type, and connected printer settings of a queue can be modified:

Proceed as follows:

1. Click **Queues/Jobs**.
2. Click **Modify** in the list of queues.
3. Change the description string if desired; see: *Parameter Settings - Create Queue on page 34*.
4. Change the location string if desired.
5. Click **Next**.
6. Change the queue type if desired.
7. Click **Next**.
8. Change the settings of the connected printer if desired.
9. Click **OK**.

How to stop or restart a Queue? (Accumulate Print Jobs)

It is possible to accumulate print jobs in a queue and to print them at a later date. In order to do this, you must stop the queue. All incoming print jobs are stored in the queue.

When the queue is restarted later, all pending jobs are printed one after another. You can also store all printed jobs in the job repository or the queue.

Proceed as follows:

1. Click **Queues/Jobs**.
2. Click **Settings** in the list of queues.
3. Click **Stop** to stop the queue or click **Start** to restart the queue.

How to reject or accept Print Jobs?

It is possible to configure queues in such a way that this accepts or rejects print jobs. This is important when a queue is not operational.

Proceed as follows:

1. Click **Queues/Jobs**.
2. Click **Setting** in the list of queues.



3. Click **Reject jobs** or **Accept jobs**.

How to assign a Filter Application (3party software) to a Queue?

The ISD300 may be used as a platform for specific, printing related software solutions provided by third parties (e.g. an SAP Barcode printing solution) or developed by customers themselves. This makes the ISD appliances perfectly adaptable to diverse environments and individual requirements.

Multiple filters can be bound to a selectable queue. To use filter applications install the third party software to the ISD300 (see: How to install Software? on page 62) and assign the filter to a queue.

Proceed as follows:

1. Click **Queues/Jobs**.
2. Click **Settings** in the list of queues.
3. Click **Filter**.
4. Select a Filter from the Available-List.
5. Click **Add**.
6. Click **Confirm**.

How to delete a Queue?

It is possible to delete a queue. All pending jobs in the queue will also be deleted.

Proceed as follows:

1. Click **Queues/Jobs**.
2. Click **Settings** in the list of queues.
3. Click **Delete queue**.
4. Click **OK** to confirm.

How to display all active Jobs?

The jobs that are being printed can be viewed. Information about e.g. the owner, the name and the size of the print job are available.

Proceed as follows:

1. Click **Queues/Jobs**.



2. Click **Current Jobs**.

The active jobs will be displayed.

If you want to change the properties of print jobs of one queue, just click on the queue name in the list.

How to display a Job History?

The last few printed jobs are displayed in the job history. Information about e.g. the owner, the name and the size of the print job are available.

Proceed as follows:

1. Click **Queues/Jobs**.
2. Click **History**.

The job history for all queues will be displayed.

How to manage a Print Job?

In queues print jobs can be managed in different ways. (e.g. restart, delete, hold, release, move to the top (priority)).

Proceed as follows:

1. Click **Queues/Jobs**.
2. Click **Jobs**.
3. *Select the print jobs.*
4. *Select an action.*

How to move a Print Job to another Queue?

When a printer is not operational, it is possible to move a print job to another queue.

Proceed as follows:

1. Click **Queues/Jobs**.
2. Click **Jobs**.
3. *Select the print jobs.*
4. *Select a queue from the 'Move jobs to Queue' listbox.*



How to print one Job on several Printers? (Copy Queue)

Using a copy queue it is possible to print the same print job on several printers. The copy queue sends the print job to all member queues. For further information see: Copy queue on page 33.

Proceed as follows:

1. Click **Queues/Jobs**.
2. Click **Create Queue**.
3. Enter a name for the queue.
4. Click **Next**.
5. Choose **Copy queue** as device type.
6. Click **Next**.
7. Select the members of the copy queue.
8. Click **Next**.

How to keep printed Jobs in a Queue?

It's possible to keep print jobs in a queue. Printjobs in a queue are available at any time. The access to the printjobs will be fast and easily.

Proceed as follows:

1. Click **Queues/Jobs**.
2. Click **Jobs**.
3. Click **Advanced options**.
4. Enable the **Keep printed jobs in the queue** option.
5. Click **Set**.

How to manage Jobs in the Repository

It's possible to keep print jobs into a repository. So the print jobs can be managed anytime.

What do you want to do?

- Store printed Jobs into the Repository
- Load Print Files to the Repository
- Print Files from the Repository
- Delete Print Files from the Repository



Store printed Jobs into the Repository

Proceed as follows:

1. Click **Queues/Jobs**.
2. Click **Jobs**.
3. Click **Advanced options**.
4. Enable the **Store printed jobs into the repository** option.
5. Click **Set**.

Load Print Files to the Repository

Proceed as follows:

1. Click **Queues/Jobs**.
2. Click **Jobs Repository**.
3. Click **Browse...**
4. Select the print file.
5. Click **Upload**.

Print Files from the Repository

Proceed as follows:

1. Click **Queues/Jobs**.
2. Click **Jobs Repository**.
3. Select the print file.
4. Select a queue.
5. Click **Print**.

Delete Print Files from the Repository

Proceed as follows:

1. Click **Queues/Jobs**.
2. Click **Jobs Repository**.
3. Select the print file.
4. Click **Delete**.



How to print a Test Page?

In order to test queues and printers, you can print a test page.

Proceed as follows:

1. Click **Queues/Jobs**.
2. Click **Setting** in the list of queues.
3. Choose the data format for printing the test page (PostScript or ASCII).
4. Click **Print Test page**.



Printing methods

You can print to the ISD300 by several methods. They specify which protocol is used to send the print data from the client to the ISD300. Usually you define this, while setting up a printer on your client PC.

What do you want to do?

- LPD Printing
- Point & Print
- IPP Printing
- Socket Printing
- ThinPrint®

LPD Printing

Every queue created during the Quick Setup automatically supports LPD printing. The port name for the configuration of the client must be identical with the queue name on the ISD300.

For further information about using LPD to address ISD300 to printers see: Types of Queues on page 31.

Point & Print

Point and Print is a term that refers to the capability of allowing a user on a Windows client to create a connection to a remote printer without providing disks or other installation media. For further information about using LPD to address ISD300 to printers see: How to prepare the ISD300 for 'Point and Print'? on page 26.

IPP Printing

Every queue created during Quick Setup automatically supports IPP printing. Please use the following syntax for the configuration of the client:

syntax: `http://<IP address or host name of the ISD300>:631/printers/<queue name on the ISD300>`

example: `http://192.168.0.123:631/printers/MY_QUEUE`



For further information about using IPP to address ISD300 to printers see: Types of Queues on page 31.

Socket Printing

It is possible to assign TCP ports in the range from 9100 to 9107 to print queues. By this way clients may send print jobs to the ISD300 via socket printing and address a queue.

Proceed as follows:

1. Click **Queues/Jobs**.
2. Click **Sockets**.
3. Select a queue for each TCP port.
4. Click **Set**.
The queue is assigned to the port number.

ThinPrint[®]

The ISD300 come with an integrated ThinPrint[®] server. Used as a gateway, the ISD appliances receive and decompress print jobs that have previously been compressed and optimised relating to the bandwidth required for their transmission via the ThinPrint technology. ThinPrint is primarily used in Server-based computing.

The ISD300 receives jobs from a ThinPrint[®] server and sends the jobs to the network printer either via socket printing, IPP printing or LPD printing depending on the type of the queue.

For using the ISD300 in a ThinPrint[®] environment, a ThinPrint[®] ID must be assigned to each queue. This ID can be any numeric value from 0 to 400.

Proceed as follows:

1. Click **Queues/Jobs**.
2. Click **ThinPrint[®]**.
3. Enter the ThinPrint[®] ID.
4. Click **Set**.



Using ISD300 as DHCP / DNS Server

The ISD300 comes with an integrated DHCP/DNS server. Compared with dedicated DHCP/DNS servers the ISD300 provides a limited set of features. It is designed for small networks without complex administrative structures.

What do you want to do?

- How to set the DHCP Service?
- How to display the lease file?
- How to set DNS Server?
- How to start/stop the DHCP or DNS Server?

How to set the DHCP Service?

DHCP (Dynamic Host Configuration Protocol) is an Internet protocol for automating the configuration of computers. DHCP can be used to automatically assign IP addresses, to deliver TCP/IP stack configuration parameters such as the subnet mask and default router, and to provide other configuration information.



DHCP service can be set by administrators only.

Proceed as follows:

1. Click **DHCP & DNS**.
2. Click **Configure DHCP server**.
3. Enter the **IP address range**; see: *Parameter Settings - DHCP Server* on page 45.
4. Enter the **Fixed IP addresses**; see: *Parameter Settings - DHCP Server* on page 45.
5. Enter the **DHCP Options**; see: *Parameter Settings - DHCP Server* on page 45.
6. Click **Save**.

After DHCP service is set, the server can be started; see: How to start/stop the DHCP or DNS Server? on page 48.



Table: Parameter Settings - DHCP Server

| Parameter | Description |
|---|---|
| Address ranges | |
| Start Address | <p>'IP Address Range' is the range that supplies DHCP leases to DHCP clients. Up to four ranges are supported. These can be used to set exclusion ranges. When a DHCP range is created, a 'Start Address' and an 'End Address' need to be entered. Once created, a range cannot be modified. To modify range settings, the range must be deleted and a new range defined.</p> |
| End Address | |
| Fixed IP addresses | |
| MAC Address | <p>Hosts receive their explicitly-reserved IP addresses from the DHCP server. Up to ten IP addresses may be reserved. For this, the host requires the following information:</p> <ul style="list-style-type: none"> - MAC Address - IP-Address - Hostname <p>To modify host settings, the host must be deleted and a new host defined.</p> |
| IP-Address | |
| Hostname | |
| DHCP Options | |
| <p>These data are equally used for all ranges and hosts. Several server addresses are separated by a comma.</p> | |
| Lease time | <p>The time, in seconds or hours that a DHCP lease should be provided a host.</p> <p>A lease is the length of time that a DHCP server specifies that a client computer can use an assigned IP address.</p> |
| Subnet mask | The subnet from which to serve the IP addresses |
| Broadcast address | Broadcast address |
| Default routers | Default routers |



| Parameter | Description |
|-------------------|---|
| DNS servers | IP address of the DNS server |
| DNS domain name | DNS domain name |
| GMT Time offset | GMT Time offset in seconds - Difference between the local time and the Greenwich Mean Time or UTC (Universal Time Coordinate) provided by the time server |
| NTP servers | IP address of the NTP time server |
| SMTP servers | IP address of the SMTP server |
| POP3 servers | IP address of the POP3 server |
| WINS servers | IP address of the WINS server |
| NetBIOS node type | NetBIOS node type |

How to display the lease file?

Information about the DHCP Server configuration is shown in a lease file.

Proceed as follows:

1. Click **DHCP & DNS**.
2. Click **View leases file** to display the file.

In order to save the lease file click **Save**.

How to set DNS Server?

DNS (Domain Name System) is a service translating names into IP addresses. DNS is very helpful in particular since names are retained a lot easier than multiple digits numbers (i.e. Titan instead of 192.168.0.231). In addition, DNS allows for more flexibility since names may be assigned independent of IP addresses, therefore, enabling names to be changed or assigned to a different IP address at any time.

The task of the DNS server as Slave (Primary) is the sharing of load. In this way a faster allocation is reached within DNS structure.



DNS can be set by administrators only.

Proceed as follows:

1. Click **DHCP & DNS**.
2. Click **Configure DNS server**.
3. Enter the data; see: *Parameter Settings - DNS Server* on page 47.
4. Click **Save**.

After DNS is configured, the server must be started; see: *How to start/stop the DHCP or DNS Server?* on page 48.

Table: *Parameter Settings - DNS Server*

| Parameter | Description |
|--|--|
| Master DNS servers | All requests to the ISD300 that cannot be answered locally or by the servers for local domains are forwarded to the master servers. Up to 300 answers from the master servers are cached by the ISD300 to minimize network traffic. Example: 192.168.000.200 |
| Forward Zones (servers for local domains names) | All requests to local domains served by other local DNS servers can be forwarded to this local DNS servers. This option can be used to keep network traffic away from extern master servers (Which might only serve internet names). Example: localdomain 192.168.22.11 |
| Master Zones (Domain names served by the ISD300) | DNS request to domains, specified here are not forwarded to other servers. If the request cannot be resolved locally, the requesting client receives an error. |



How to start/stop the DHCP or DNS Server?

After DHCP or DNS is configured, the server can be started.

Proceed as follows:

1. Click **DHCP & DNS**.
2. Click **Start Server**.

In order to start the server during system boot automatically, enable the **Yes** option and click **Save**.



Security

Access to the ISD300 and to the entire configuration is controlled by means of a multiple level access protection.



ISD300 security can be configured by administrators only.

What information do you need:

- Panel Lock (PIN)
- Login Accounts
- Certificates
- IP Sender Protection (Restricting Printing Access)

Additionally the user management may also be integrated into the Windows Active Directory; for further information see: Microsoft Authentication (SMB) on page 20.

Panel Lock (PIN)

The ISD300's operating panel can be protected from unauthorized access with a 4-digit PIN. If the panel is locked, the requested PIN is entered directly on the device.

What do you want to do?

- Setting the PIN
- Entering the PIN

For further information about the Panel Interface see: Using the Panel Interface on page 8.

Setting the PIN

The administrator sets the PIN on the ISD300 Homepage. The PIN defaults to '0000'. With this PIN, the panel is not protected. If the factory default settings are restored, the PIN is erased, i.e. it is reset to the default value.

Proceed as follows:

1. Click **Configuration**.
2. Click **HTML Passwords**.

3. Enter the PIN.
4. Click **Set**.

Entering the PIN

If a PIN has been set, the message 'Enter PIN' appears on the display after a button is pressed.

To enter the PIN use the navigation keys on the ISD300. Use ◀▶ to navigate to individual numerical values within the PIN. Change individual numerical values via ▲▼.

Carry out your action. When the action is complete, the operating panel is again protected by the PIN.

Login Accounts

The simply access to the ISD300 Homepage is made by a user in conjunction with a password. Username and password are transferred unencrypted. For an encrypted connection (SSL) certificates are needed; see: Certificates on page 52.

Access to the ISD300 Homepage is defined for three user groups: 'Any', 'User', and 'Admin'. See the table below for an overview of the access rights for each group.

Table: Information - User groups

| User group | Access rights | Default password |
|------------|--|-----------------------|
| Any | - retrieving status information about queues and print jobs | no password necessary |
| User | - retrieving status information about queues - managing own print jobs, e.g. deleting, halting print jobs, changing hierarchy (depending on the configuration by the administrator) | user |



| User group | Access rights | Default password |
|------------|--|------------------|
| Admin | <ul style="list-style-type: none">- retrieving status information- setting up and administrating queues- deleting, halting, and changing hierarchy of all print jobs- installing, configuring, and maintaing the ISD300 | admin |

The access rights for the 'user' login are freely definable by the administrator.

What do you want to do?

- Changing the password of a login account
- Setting access rights for the 'User' Login Account

Changing the password of a login account

The manufacturer supplies the default passwords **user** and **admin** for the login accounts 'user' and 'admin'. These default passwords can be changed.

Proceed as follows:

1. Click **Configuration**.
2. Click **HTML Passwords**.
3. Choose the user group (*Admin or User*).
4. Enter the old password.
5. Enter the new password.
6. Confirm the new password.
7. Click **Set**.

Setting access rights for the 'User' Login Account

The 'user' login account has predefined access rights to the ISD300 (e.g. querying the status of queues or the administration of own print jobs). The access rights can be restricted by administrators only.



Proceed as follows:

1. Click **Configuration**.
2. Click **User Profile**.
3. Enable or disable the desired check boxes; see: *Parameter Settings - User Profile* on page 52.
4. Click **Set**.

Table: Parameter Settings - User Profile

| Parameter | Description |
|-------------------------|---|
| Allow from all hosts | The access rights are granted to print jobs sent from any host. |
| Set job to top of queue | The 'user' is allowed to change the order of jobs within the queue |
| Move | The 'user' is allowed to move print jobs from one queue to another |
| Delete jobs | The 'user' is allowed to delete print jobs |
| Hold/Release Jobs | The 'user' is allowed to hold and release print jobs |
| Print saved jobs | The 'user' is allowed to print jobs that are saved in the job repository of the ISD300. |

Certificates

The communication via the Web interface may be encrypted using HTTPs (SSL). Self-signed certificates (SSLv3) and CA certificates can be used in TCP/IP-based networks to encrypt data and to authenticate communication partners.

- Self-signed certificates have a digital signature that has been created by the ISD300.
- CA certificates are certificates that have been signed by a certification authority (CA). The authenticity of the CA certificate can be verified by means of a so-called root



certificate issued by the certification authority. The root certificate is stored on an authentication server in the network.

Upon delivery, a self-signed certificate (the so-called default certificate) is stored on the ISD300. If you set up encrypted printing via https the default certificate is used. It is recommended that you replace the default certificate by a self-signed certificate or CA certificate.

What do you want to do?

- Creating a self-signed certificate
- Creating a CA certificate
- Deleting certificates

Creating a self-signed certificate

Certificates can be created by administrators only. If a certificate has already been saved on the ISD300, the content of this certificate will be displayed. In this case you have to delete the existing certificate first; see: Deleting certificates on page 55.

Proceed as follows:

1. Click **Maintenance**.
2. Click **Certificate**.
3. Enter the data; see: *Parameter Settings - Certificates* on page 53.
4. Choose **Create self-signed certificate**.
5. Click **Create**.
The certificate is created and installed.

Table: *Parameter Settings - Certificates*

| Parameter | Description |
|-------------|---|
| Common name | Is used to clearly identify the certificate. It is advisable to use the IP address or the host name of the print server to allow a clear assignment of the certificate to the print server. You can enter a maximum of 64 characters. |



| Parameter | Description |
|---------------------|---|
| E-mail address | Indicates an e-mail address. This parameter is optional. You can enter a maximum of 40 characters. (Entry is optional) |
| Organization name | Specifies the company that uses the print server. You can enter a maximum of 64 characters. |
| Organizational unit | Specifies the department or subsection of a company. This parameter is optional. You can enter a maximum of 64 characters. (Entry is optional) |
| Locality name | Specifies the locality where the company is based. You can enter a maximum of 64 characters. |
| State name | Specifies the state in which the company is based. This parameter is optional. You can enter a maximum of 64 characters. (Entry is optional) |
| Country name | Specifies the country in which the company is based. Enter the two-digit country code according to ISO 3166. Examples: DE for Germany, GB for Great Britain, US for the USA |
| Issued on | Specifies the date after which the certificate is valid. |
| Expires on | Specifies the date after which the certificate is invalid. |

Creating a CA certificate

Certificates can be created by administrators only. If a certificate has already been saved on the print server, the content of this certificate will be displayed. In this case you have to delete the existing certificate first; see: Deleting certificates on page 55.

When a certificate request has been created, no self-signed certificate may be created until the CA (certification authority) certificate has been saved.



Proceed as follows:

1. Click **Maintenance**.
2. Click **Certificate**.
3. Enter the data.
4. Choose **Create certificate request**.
5. Click **Create**.
The certificate request is created.
6. Click **OK** to confirm.
7. Copy the text from 'Begin Certificate Request' to 'End Certificate Request' and paste it into a text file for saving.
8. Send the certificate request to a certification authority.

When the CA certificate has been received, it must be saved on the ISD300.

9. Click **Browse....**
10. Select the file.
11. Click **Load**.
12. Click **OK** to confirm.

Deleting certificates

Proceed as follows:

1. Click **Maintenance**.
2. Click **Certificate**.
3. Click **Delete**.
The certificate is deleted.

IP Sender Protection (Restricting Printing Access)

Printing access to a queue can be restricted to IP addresses (e.g. 192.168.0.247) or ranges (e.g. 192.168.0.*). If no entries are made, protection is disabled. SMB accesses are not controlled via IP Sender Protection

Proceed as follows:

1. Click **Queues/Jobs**.
2. Click **Jobs**.
3. Click **Protection**.
4. Enter the IP address of a sender.



5. Click **Add**.
6. Click **Confirm**.



Maintenance

On the page **Maintenance** you will find detailed information about the board.

With the assistance of the Software Manage Wizard you can install and delete software on the ISD300 or create a backup.



Maintenance work can be done by administrators only.

What do you want to do?

- How to get Board Information?
- How to configure e-mail or SNMP trap notifications?
- How to update Firmware or Software?
- How to create a Backup?
- How to reboot the ISD300?
- How to install Software?
- How to delete Software?

How to get Board Information?

Detailed information about board settings can be found on the page **Maintenance**; see: Table: Parameter Information - Board Info.

Proceed as follows:

1. Click **Maintenance**.
2. Click **Board Info**.

Table: Parameter Information - Board Info

| Parameter | Description |
|----------------------------|---|
| Board | |
| Default name | Default name of the ISD300 (set by the manufacturer) |
| Host name | Host name of the ISD300 (set by the administrator) |
| Date | Current date |
| Uptime | Period of time during which the ISD300 is operational |
| Serial number | Serial number set by the manufacturer |
| Software version | Release number of the software |
| Firmware version | Release number of the firmware |
| Hardware version | Release number of the hardware |
| Network | |
| Hardware address | Hardware address of the ISD300 (set by the manufacturer) |
| IP address | IP address of the ISD300 |
| Netmask | Netmask |
| Gateway | IP address of the gateway used to access other networks or subnets. This enables the ISD300 to communicate with devices on other subnets. |
| Primary DNS server | IP address or host name of the primary (master) DNS server |
| Secondary DNS server | IP address or host name of the secondary (slave) DNS server |
| DNS Domain | Name of the DNS domain |
| MS Windows Settings | |

| Parameter | Description |
|-----------------------|--|
| NetBIOS name | NetBIOS name of the ISD300 |
| NetBIOS workgroup | Name of the NetBIOS workgroup |
| WINS server | IP address or host name of the WINS server |
| Windows printer admin | Local user who can upload printer drivers on the ISD300 and change global printer settings |
| Hard Disk | |
| Model | Name of the hard disk |
| Total (spool area) | Total hard disc space for spooling print jobs |
| Available | Available hard disc space for spooling print jobs |

How to configure e-mail or SNMP trap notifications?

Automatic error notification ensures possible system errors are instantly communicated to the administrator via email or SNMP Traps.

The ISD300 sends warnings and error messages via e-mail or SNMP traps to a recipient. The system administrator is automatically notified by the ISD300 if an error occurs on the ISD300. The notification level specifies which messages will be sent.



Notifications can be set by administrators only.

Proceed as follows:

1. Click **Configuration**.
2. Click **Notification**.
3. Enter the data; see Table: Parameter Settings - Notification.



4. Click **Set**.

Table: Parameter Settings - Notification

| Level | Description |
|--------------------|--|
| E-Mail | |
| Mail server | IP address or the host name of the mail server (e.g. 192.168.0.21) |
| Recipient | e-mail address of the recipient (e.g. people@company.com) |
| Notification Level | The notification level specifies which messages will be sent. <u>Disabled</u> no messages will be sent <u>Errors only</u> only fatal system errors will be sent, such as "Unable to connect to spool server" <u>Warnings and errors</u> system errors and warnings will be sent, such as "Password for user 'admin' changed" <u>All messages</u> all types of messages will be sent, including messages such as "Print queue <queue name> created" |
| SNMP Traps | |
| IP address | IP address or the host name of the SNMP server (e.g. 192.168.0.21) |
| Trap community | Trap community (e.g. public) |
| Notification level | see above |



It is not necessary to delete the notification setup. The notification function can be switched of. Choose **Disabled** in the 'notification level' list box.

How to update Firmware or Software?

ISD300 can be updated, simply receiving new firmware or software via the network.

During a firmware update, the old firmware is overwritten and replaced. The configuration parameters retain their original settings.

The ISD300 comes with the current firmware and software, so that an update is generally only required as bugfix.

Proceed as follows:

1. Click **Maintenance**.
2. Click **Software**.
3. Choose **Install software on the ISD300**.
4. Click **Next**.
5. Click **Browse....**
6. Select a firmware or software file.
7. Click **Next** to upload the file to the ISD300.
8. Click **Next** to apply the firmware or software to the ISD300.
9. Click **OK**.

The ISD300 may be rebooted automatically to activate the firmware or software.

How to create a Backup?

The system configuration can be stored in a backup file on another system. If required, the configuration then can be restored within seconds. This configuration can also be used to configure further ISD devices, to achieve consistent configuration and minimise installation times.

With the assistance of the Software Manage Wizard you can create a backup image of

- DHCP and DNS settings



- Network settings, queues, drivers, users and access control
- Queues and drivers
- Drivers only

Proceed as follows:

1. Click **Maintenance**.
2. Click **Software**.
3. Choose **Create backup on the ISD300**.
4. Click **Next**.
5. Enable the desired check boxes.
6. Click **Create**.
7. Click **Download** to save the backup file on your client.
8. Click **Finish** to go back to the first page of the Software Manage Wizard.

How to reboot the ISD300?

The ISD300 must be rebooted after a firmware or software update, so that the update can take effect.

Proceed as follows:

1. Click **Maintenance**.
2. Click **Reboot**.
3. Click **Reboot**.

How to install Software?

With the assistance of the Software Manage Wizard you can install filters or manuals on the ISD300.

- For further information about filters applications see: How to assign a Filter Application (3party software) to a Queue? on page 37.
- For further information about manual see: Manual on page 7.

Proceed as follows:

1. Click **Maintenance**.



2. Click **Software**.
3. Choose **Install software on the ISD300**.
4. Click **Next**.
5. Click **Browse....**
6. Select a file.
7. Click **Next** to upload the file to the ISD300.
8. Click **Next** to apply the file to the ISD300.
9. Click **OK**.

How to delete Software?

With the assistance of the Software Manage Wizard you can delete software (Windows driver, backup files, filters, firmware or software files) from the ISD300.

Proceed as follows:

1. Click **Maintenance**.
2. Click **Software**.
3. Choose **Delete software from the ISD300**.
4. Click **Next**.
5. Select the resources you want to delete.
6. Click **Delete**.
7. Click **OK** to confirm.
8. Click **OK** to go back to the first page of the Software Manage Wizard.



Parameter Description

| | |
|--|----|
| Parameter Information - Home..... | 12 |
| Parameter Settings - TCP/IP | 15 |
| Parameter Settings - Board..... | 16 |
| Parameter Settings - DNS | 17 |
| Queue Name Conventions..... | 18 |
| Parameter Information - MS Windows | 21 |
| Parameter Settings - MS Windows Domain member..... | 22 |
| Parameter Information - Print Queues | 30 |
| Information - Queue Types | 31 |
| Parameter Settings - Create Queue..... | 34 |
| Parameter Settings - DHCP Server | 45 |
| Parameter Settings - DNS Server | 47 |
| Information - User groups | 50 |
| Parameter Settings - User Profile | 52 |
| Parameter Settings - Certificates | 53 |
| Parameter Information - Board Info..... | 58 |
| Parameter Settings - Notification | 60 |



Index

A

Access Rights 51
Authentication 20
 Local 23

B

Backup 61

C

Certificates
 CA certificate 54
 delete 55
 selfsigned certificate 53
Configuring 13

D

Date and Time 16
DHCP 44
DNS 17, 44

F

Filter Application 37

G

Gateway 13

H

Host Name 15

I

IP 13
IPP Printing 42
ISD300 Homepage 10

J

Job History 38
Job Repository 39

L

Local Users and Groups 23
Login Accounts 56
LPD Printing 42

N

Netmask 13
Network Settings 13
Notification
 e-mail 59
 SNMP trap 59

P

Panel Interface 8
Panel Lock 49
Password 51
PIN 49
 enter 50
 set 49
Point and Print 26
Print Drivers 26
 assign 28
 store 27
Print Jobs 30
 accumulate 36
 delete 38
 display 37
 keep in a Queue 39
 move to Queue 38
Printer Administrator Account 25
Printing Methods 42

Q

Queues 30
 copy 39
 create 33
 delete 37
 modify 36
 stop 36
 types 31
Quick Setup 17



R

- Reboot 62
- Repository
 - load files 40
 - print files 40
 - print jobs 40

S

- Security 49
- SNMP trap 59
- Socket Printing 43
- Software
 - delete 63
 - install 62
- Switch off 9
- Switch on 9

T

- TCP/IP Parameters 13
- Technical Data 4
- Test Page 41
- ThinPrint® 43

U

- Update
 - firmware 61
 - software 61

Free Manuals Download Website

<http://myh66.com>

<http://usermanuals.us>

<http://www.somanuals.com>

<http://www.4manuals.cc>

<http://www.manual-lib.com>

<http://www.404manual.com>

<http://www.luxmanual.com>

<http://aubethermostatmanual.com>

Golf course search by state

<http://golfingnear.com>

Email search by domain

<http://emailbydomain.com>

Auto manuals search

<http://auto.somanuals.com>

TV manuals search

<http://tv.somanuals.com>