



SCION

Audio System

Owner's Manual
for AM/FM/CD Player with iPod Control

This device complies with Part 15 of the FCC Rules.

Operation is subject to the following two conditions:

(1) This device may not cause harmful interference, and (2) this device must accept any interference received, including interference that may cause undesired operation.

Information to User

Alteration or modifications carried out without appropriate authorization may invalidate the user's right to operate the equipment.

WARNING

Handling the cord on this product or cords associated with accessories sold with the product will expose you to lead, a chemical known to the State of California and other governmental entities to cause cancer and birth defects or other reproductive harm. ***Wash hands after handling.***

Supply of this product only conveys a license for private, non-commercial use and does not convey a license nor imply any right to use this product in any commercial (i.e. revenue-generating) real time broadcasting (terrestrial, satellite, cable and/or any other media), broadcasting/streaming via internet, intranets and/or other networks or in other electronic content distribution systems, such as pay-audio or audio-on-demand applications. An independent license for such use is required. For details, please visit <http://www.mp3licensing.com>.

About WMA



The Windows Media™ logo printed on the box indicates that this unit can play back WMA data.

WMA is short for Windows Media Audio and refers to an audio compression technology that is developed by Microsoft Corporation.

WMA data can be encoded by using Windows Media Player version 7 or later.

Microsoft, Windows Media, and the Windows logo are trademarks, or registered trademarks of Microsoft Corporation in the United States and/or other countries.

NOTES

- With some applications used to encode WMA files, this unit may not operate correctly.
- With some applications used to encode WMA files, album names and other text information may not be correctly displayed.

About iPod

- Reproducing and playing back non-copyrighted material and material that can legally be reproduced and played back for private use is permitted with the iPod. Infringement of copyright is legally prohibited.
- iPod® is a trademark of Apple Computer, Inc., registered in the U.S. and other countries.

Important information about this manual

For safety reasons, this manual indicates items requiring particular attention with the following marks.

NOTICE

This is a warning against anything which may cause damage to the vehicle or its equipment if the warning is ignored. You are informed about what you must or must not do in order to avoid or reduce the risk of damage to your vehicle and its equipment.

⚠ CAUTION

This is a warning against anything which may cause injury to people if the warning is ignored. You are informed about what you must or must not do in order to reduce the risk of injury to yourself and others.

USE OF CONTROL OR ADJUSTMENT OR PERFORMANCE OF PROCEDURES OTHER THAN THOSE SPECIFIED HEREIN MAY RESULT IN HAZARDOUS RADIATION EXPOSURE. THE USE OF OPTICAL INSTRUMENTS WITH THIS PRODUCT WILL INCREASE EYE HAZARD.

To ensure the correct audio system operation

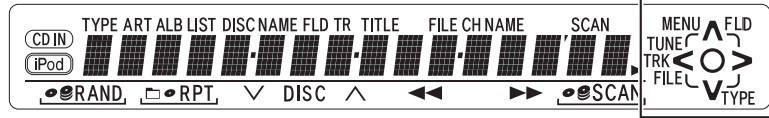
- Be careful not to spill beverages over the audio system.
- Do not put anything other than a Compact Disc into the slot.
- The use of cellular phones inside or near the vehicle may cause noise from the audio system speakers you are listening to. However, this does not indicate a malfunction.

Contents

Display and Multi Selector	5
Basic Operation	6-7
Color Change	8
Listening to the RADIO	10-11
Listening to a CD	12-13
Listening to a MP3 and WMA DISC	14-15
About handling the iPod	16
Connecting the iPod	16-17
Disconnecting the iPod	17
Listening to songs on iPod	18-19
How to Subscribe to XM Satellite Radio <Option>	21
Listening to a XM Satellite Radio broadcast	22-23
Display the RADIO ID	24-25
Using the AUX	26
Changing the Welcome Screen	28-29
Using the Steering Controller	30
MP3 and WMA files	31
MP3 additional information	31
WMA additional information	32
About folders and MP3/WMA files	32
Terms	33
CD player and care	34
CD-R and CD-RW discs	34
Error indications	35-37
Changing or disconnecting your battery	38
Specifications	38

Display and Multi Selector

Possible MULTI SELECTOR operations are indicated.



MULTI SELECTOR

Pressing the MULTI SELECTOR up, down, left or right enables item selection.

Turning the MULTI SELECTOR enables item selection.

Pressing the MULTI SELECTOR in the center enables item selection.

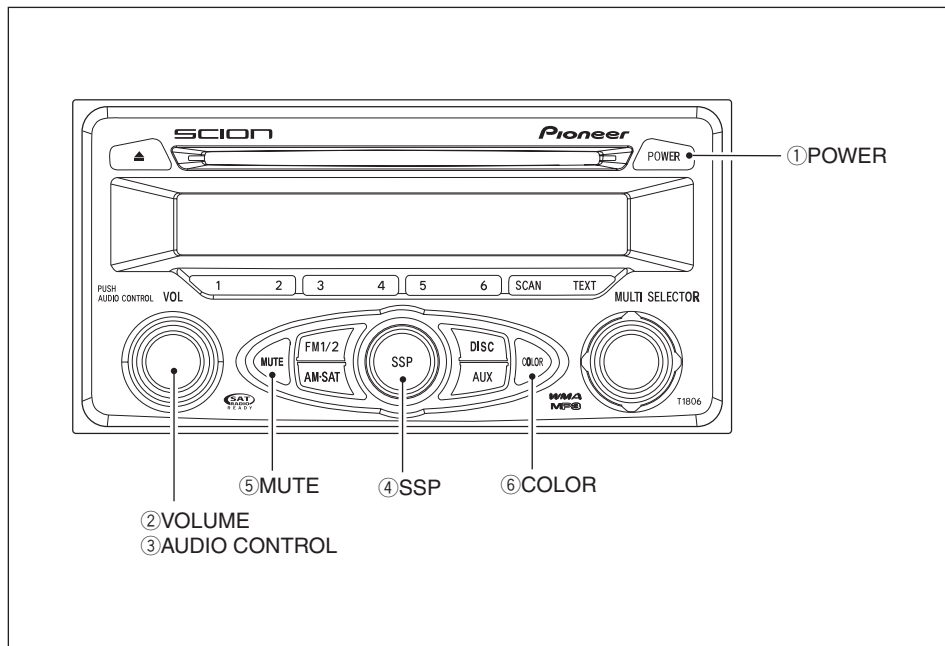
T1806

Basic Operation

Your audio system works when the ignition switch is in the "ACC" or "ON" position.

NOTICE

To prevent the battery from being discharged, do not leave the car audio on longer than necessary when the engine is not running.



☞ ④ **SSP is an abbreviation of Scion Sound Processing.**

① POWER

Press to turn the unit on or off.

② VOLUME/LEVEL + -

When the Audio Control mode is OFF, raises/lowers volume (total volume step is 64).

When the Audio Control mode is ON, raises/lowers audio control levels.

③ AUDIO CONTROL

Press and the Audio Control mode cycles through the following order:

SRT (Sound Retouch) → BAS (Bass) → TRE (Treble) → FAD (Fader) → BAL (Balance) → ASL (Automatic Sound Levelizer) → VOL (volume) → SRT (Sound Retouch)

SRT : The SRT function provides a wide, deep and rich quality to MP3/WMA sound, which gives the user a lively impression. You can turn the SRT on and off by turning the VOLUME knob.

BAS : Adjust low-pitched tones. The display ranges from -5 to 5.

TRE : Adjust high-pitched tones. The display ranges from -5 to 5.

FAD : Adjust the sound balance between the rear and front speakers. The display ranges from -R7 to -F7.

BAL : Adjust the sound balance between the left and right speakers. The display ranges from -L7 to -R7.

ASL : During driving, noise in the car changes according to the driving speed and road conditions. The automatic sound levelizer (ASL) monitors such varying noise and automatically increases the volume level. If this noise becomes greater, the sensitivity (variation of volume level to noise level) of ASL can be set to one of three levels. Turning the VOLUME knob changes the ASL setting as follows:

Turning the VOLUME knob clockwise

OFF (Off) → LOW (Low) → MID (Middle) → HIGH (High)

Turning the VOLUME knob counterclockwise

HIGH (High) → MID (Middle) → LOW (Low) → OFF (Off)

The initial setting is **LOW**.

NOTICE

- The SRT function can only be selected when playing MP3/WMA from CD.
- The SRT function does not support external compressed audio media.
- BAS function and TRE function values can be set for each of the modes (AM, FM, CD/MP3/WMA, iPod, XM Satellite Radio, AUX). When you switch modes, the settings change to the BAS and TRE values set for the selected mode.
- The ASL function is only effective when the vehicle is moving. Some vehicles may not be wired for the vehicle speed pulse signal. In this case, you cannot use the ASL function (the ASL item is not displayed in the AUDIO CONTROL menu).

④ SSP (Scion Sound Processing)

SSP is a modified DSP (Digital Signal Processing) system that provides a customized sound for your vehicle. You can select from the modes below.

SSP Neutral : A subdued sound that does not interfere with conversations.

SSP Hear : A powerful, energetic, "live" sound.

SSP Feel : Player's sound → reproduces the sound on the stage that musicians hear.

For more details, please visit the SCION Web site at <http://www.scion.com/>.

Each time you press it, the SSP changes in the following order:

SSP Neutral → SSP Hear → SSP Feel → SSP Neutral

⑤ MUTE

To reduce the volume instantaneously, press the MUTE button. **MUTE** will flash on and off.

To cancel this mode, press the MUTE button again.

Color Change

You can change the display color.

⑥ COLOR

Press and the color changes in the following order:

IceBlue → **Lithium** → **Cobalt** →
EmeraldRay → **Blade** → **Acid** →
Tangerine → **Crimson** → **Passion** →
Amethyst → **Mixer** → **IceBlue**

Initial setting is **Mixer**.

NOTICE

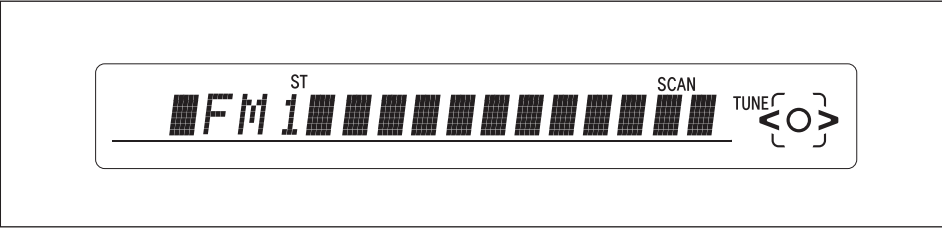
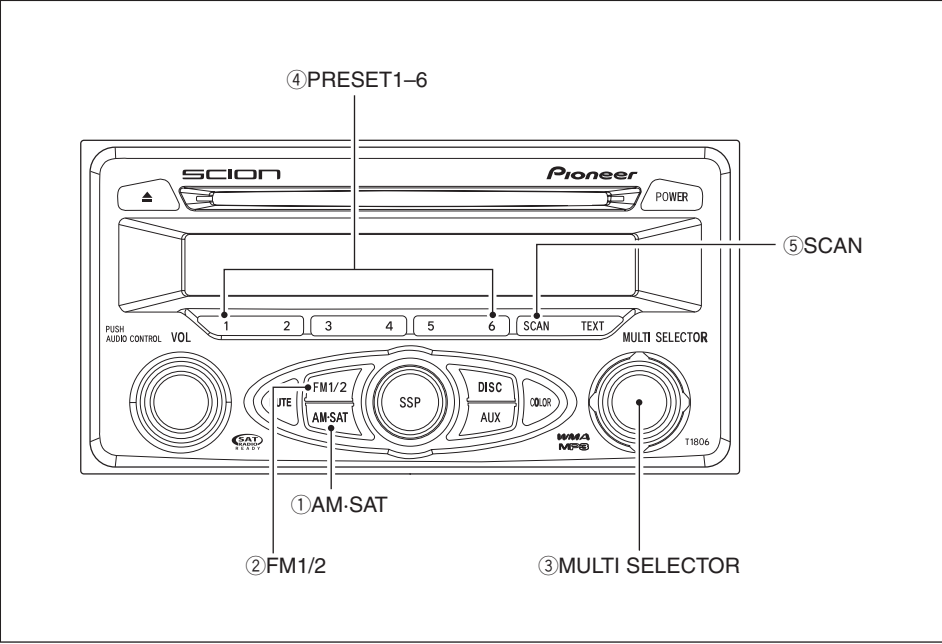
- The maximum time of displaying the color name is 6 seconds.
- Select the Mixer mode, and the color changes automatically every 5 seconds starting with Passion.
- Press the COLOR button in the Mixer mode, and you can change the color in order starting with Ice Blue.

Listening to the RADIO

NOTICE

Attaching any film or window tint film (especially conductive or metallic type) on the rear glass will noticeably reduce the sensitivity of the radio.

*This does not apply to cars with pole antennas as window film does not reduce the antenna's reception.



- ① **AM-SAT**
Switches between the AM mode and SAT1/2/3 modes. (must have Satellite Radio receiver and antenna installed at an additional charge to listen to Satellite Radio.)
- ② **FM1/2**
Switches between FM1 and FM2 modes.

③ MULTI SELECTOR

The channel preset in PRESET 1-6 switches each time you press the MULTI SELECTOR in the center.

• TUNE <UP>

Turn the MULTI SELECTOR clockwise or press it to the right to manually select (one step at a time) the station with the next higher frequency.

Press the MULTI SELECTOR to the right and hold until you hear a beep, and automatic station selection begins to select stations in order of increasing frequency.

• TUNE <DOWN>

Turn the MULTI SELECTOR counterclockwise or press it to the left to manually select (one step at a time) the station with the next lower frequency.

Press the MULTI SELECTOR to the left and hold until you hear a beep, and automatic station selection begins to select stations in order of decreasing frequency.

④ PRESET 1-6

Press to recall previously stored stations (Preset Channels).

Press and hold until you hear a beep, and the station you are currently tuned to is stored as a Preset Channel.

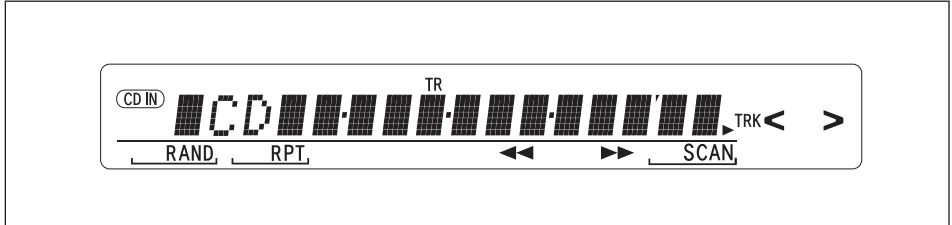
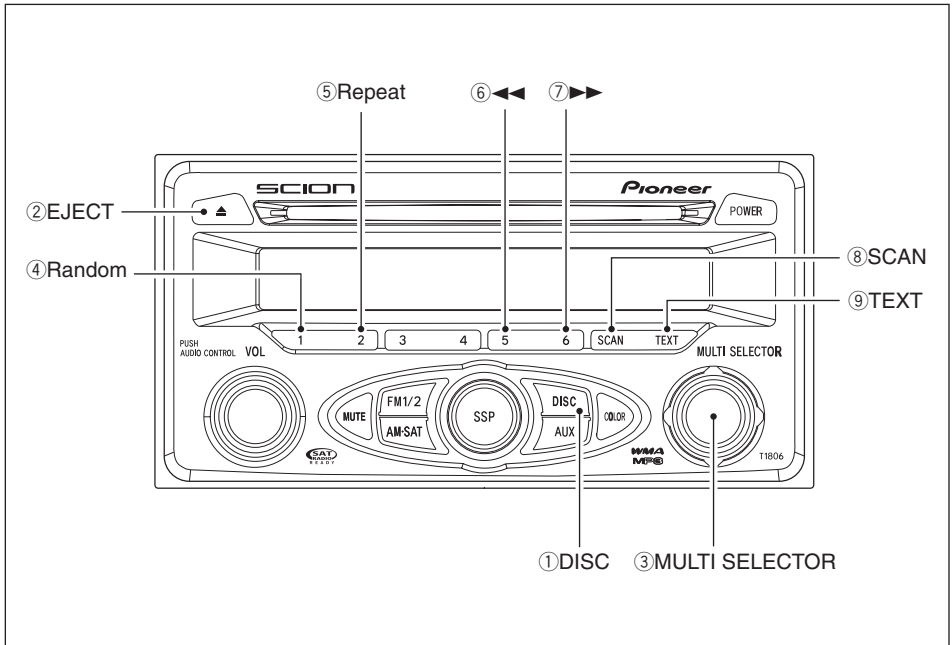
NOTICE

You can store up to 6 stations per band.

⑤ SCAN

If you press, **SCAN** is indicated in the display and SCAN begins searching for stations with good reception.

If you press and hold until you hear a beep, **SCAN** is indicated in the display and SCAN of preset channels begins.



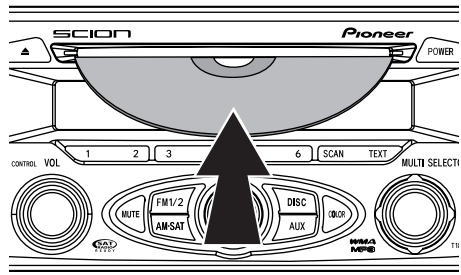
Listening to a CD

NOTICE

- Never try to disassemble or oil any part of the compact disc player. Do not insert anything except a compact disc into the slot.
- You can load an 8 cm disc without using an adaptor. Never use an adaptor.

Load a CD in the CD slot.

(CD IN lights.)



① **DISC**

Switches to the CD mode. (Only effective if a disc is loaded)

② **EJECT**

Press to eject the disc currently playing.

③ **MULTI SELECTOR**

• **TRK <UP>**

Press the MULTI SELECTOR to the right to proceed to the next track.

• **TRK <DOWN>**

Pressing the MULTI SELECTOR to the left takes you back to the start of the track currently playing. Press the MULTI SELECTOR to the left once more to return to the previous track.

④ **PRESET 1 (Random)**

If you press this, **RAND**, is indicated in the display and starts to play tracks on the disc being played in random order. Press again to cancel.

⑤ **PRESET 2 (Repeat)**

If you press this, **RPT**, is indicated in the display and starts to repeat the track being played. Press again to cancel.

⑥ **PRESET 5 (◀◀)**

While this is pressed, play of the track is reversed. (There is sound.)

⑦ **PRESET 6 (▶▶)**

While this is pressed, play of the track is fast forwarded. (There is sound.)

⑧ **SCAN**

If you press this, **SCAN**, is indicated in the display and starts to play the first 10 seconds of each track on the CD being played. Press again to cancel.

⑨ **TEXT**

Press, and display indications change as follows:

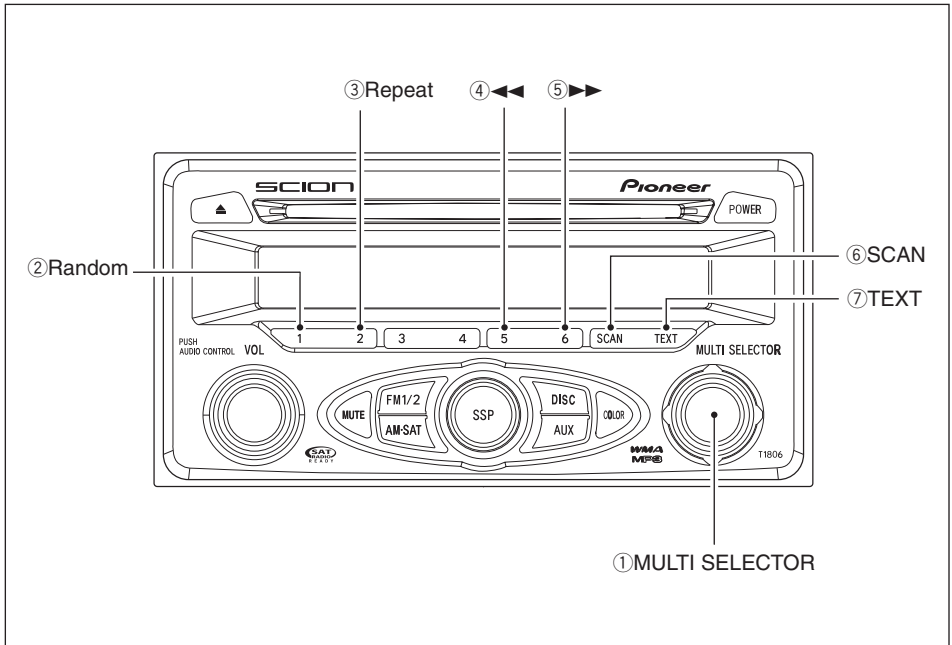
ELAPSED TIME → DISC TITLE → TR TITLE (track title)

When ▶ is displayed, if you press and hold until you hear a beep, the display will change to the next page. A maximum of 2 pages (32 characters) can be displayed.

 **CAUTION**

Compact disc players use an invisible laser beam which could cause hazardous radiation exposure if directed outside the unit. Be sure to operate the player correctly.

Listening to a MP3 and WMA DISC



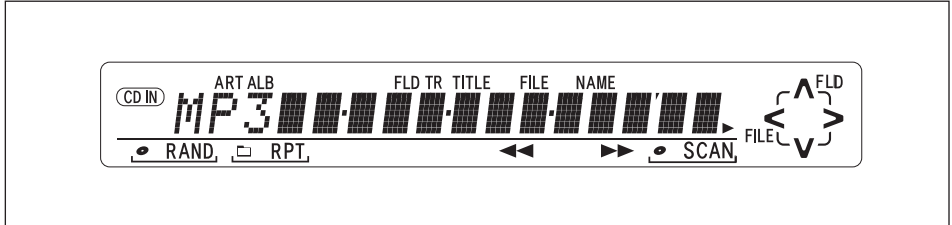
① MULTI SELECTOR

• **FILE <UP>**
Turn the MULTI SELECTOR clockwise or press it to the right to proceed to the next file.

• **FILE <DOWN>**
Turning the MULTI SELECTOR counterclockwise or pressing it to the left takes you back to the start of the file currently playing. Turn the MULTI SELECTOR counterclockwise or press it to the left once more to return to the previous file.

• **FOLDER <UP>**
Press the MULTI SELECTOR up to proceed to the next folder.

• **FOLDER <DOWN>**
Press the MULTI SELECTOR down to return to the previous folder. Press the MULTI SELECTOR down and hold until you hear a beep to jump to HOME. HOME means returning back to play the first file in the first folder on the CD being played.



② PRESET 1 (Random)

If you press this, **RAND**, is indicated in the display and starts to play files in the folder being played in random order. Press again to cancel.

If you press and hold until you hear a beep, **RAND**, is indicated in the display and starts to play files in all folders on the disc being played in random order. Press again to cancel.

③ PRESET 2 (Repeat)

If you press this, **RPT**, is indicated in the display and starts to repeat the file being played. Press again to cancel.

If you press and hold until you hear a beep, **RPT**, is indicated in the display and starts to repeat the folder being played. Press again to cancel.

④ PRESET 5 (◀◀)

While this is pressed, play of the track is reversed. (There is no sound.)

⑤ PRESET 6 (▶▶)

While this is pressed, play of the track is fast forwarded. (There is no sound.)

⑥ SCAN

If you press this, **SCAN**, is indicated in the display and starts to play the first 10 seconds of each file in the folder being played. Press again to cancel.

If you press and hold until you hear a beep, **SCAN**, is indicated in the display and starts to play the first 10 seconds of the first file of each folder. Press again to cancel.

⑦ TEXT

Press and display indications change as follows:

ELAPSED TIME → FLD NAME (Folder Name) → FILE NAME → ALB TITLE (Album Title) → TR TITLE (Track Title) → ART NAME (Artist Name)

When **▶** is displayed, if you press and hold until you hear a beep, the display will change to the next page. A maximum of 2 pages (32 characters) can be displayed.

NOTICE

When playing back a disc recorded with the Multi Session system, the first session only is played back. If the first session combines MP3 and WMA files and music data (CD-DA), this product only plays the music data. (Refer to page 33.)

NOTICE

With WMA discs, the Album Title is not displayed.

About handling the iPod

About iPod settings

- This unit supports only an iPod featuring the Dock connector port.
- This unit does not support software versions prior to iPod updater 2004-10-20.
- Operations may vary depending on the software version of iPod.
- You cannot operate the iPod Equalizer on products. We recommend that you set the iPod Equalizer to off, before connecting the iPod to this unit.
- The Shuffle function of the iPod is operated as Random on this unit.

⚠ CAUTION

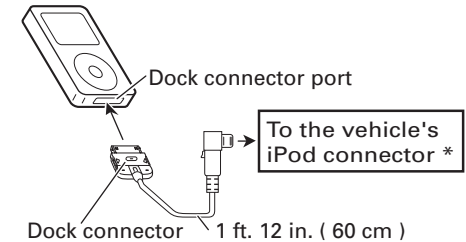
- We accept no responsibility for lost data on the iPod even if that data is lost while using this unit.
- Do not allow direct sunlight to fall on the iPod when it is not being used. Extended exposure to direct sunlight can result in iPod malfunction due to the resulting high temperatures.
- Do not leave the iPod in high temperatures or direct sunlight.
- Fix the iPod securely when using with this unit. Do not let the iPod fall onto the floor, where it may become jammed under the brake or accelerator pedal.

For details, refer to your iPod Owner's Manual.

Connecting the iPod

Connect the iPod to this unit.

Connect the iPod as indicated in the figure below using the supplied cable.




When connecting the iPod, remove a headphone cable from the iPod.

* Connection location differs depending on the vehicle.

Vehicle type	Connection location
tC	Connect to the iPod connector in the center console box.
xB , xA	Connect to the iPod connector near the gearshift.

As soon as the iPod is connected, its power is automatically turned on.

While the iPod is connected to this unit, **SCION** (or ✓ (check mark)) is displayed on the iPod.

Connect the iPod and **iPod connected** is indicated in the display and the  indicator lights.

- When the ignition switch is set to ACC or ON, the iPod's battery is charged while the iPod is connected to this unit.
- While the iPod is connected to this unit, the iPod itself cannot be turned on or off.
- The iPod connected to this unit is turned off about two minutes after the ignition switch is set to OFF.

NOTICE

To resolve most problems when using your iPod with the Scion Audio system, disconnect your iPod from the vehicle iPod connection and reset it.

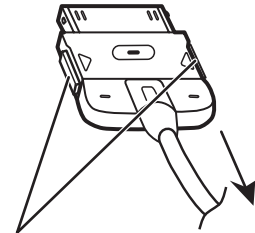
For instructions on how to reset your iPod, refer to your iPod Owner's Manual.

NOTICE

- Push in until you hear a click to connect firmly. If it does not go in smoothly, it may be upside down so do not force it in as this may result in damage.
- Connect the Dock connector directly to the Dock connector port. Do not connect it via the iPod Dock or other connection.
- When not using the iPod, be sure to attach the dustproof cap to the supplied cable and store where it does not obstruct driving.
- When the iPod is connected to this unit, sound will also be heard from the headphone of the iPod. Use without the headphone.

Disconnecting the iPod

Remove the iPod from this unit.

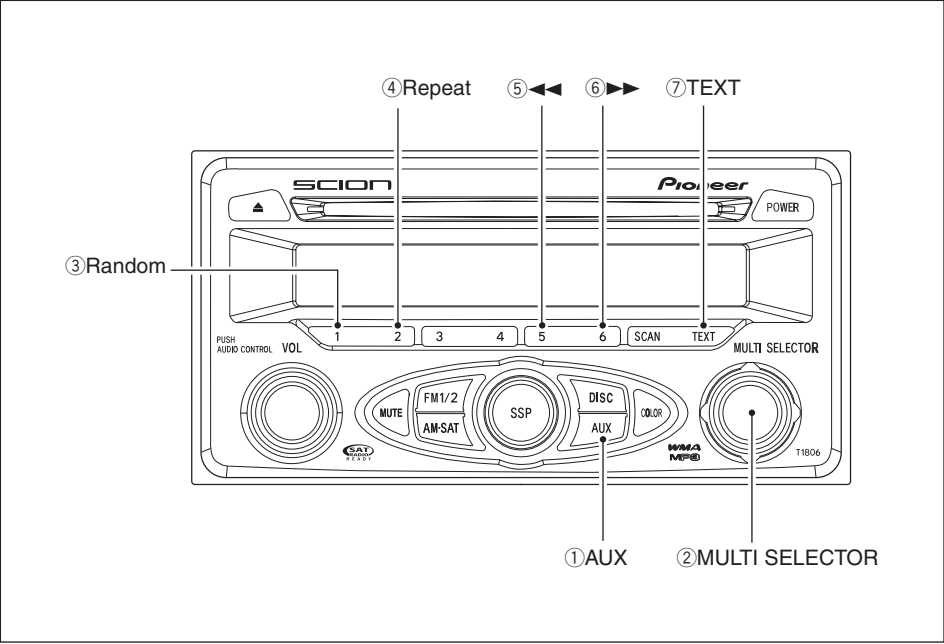


When disconnecting, hold part of the connector and press the lock while pulling. Pulling out by the cord may pull the cord out of the connector.

When removing the iPod from this unit, the iPod main menu appears in the iPod display after a few seconds.

Remove the iPod and **Bye Bye iPod** is indicated in the display.

Listening to songs on iPod



① AUX

Press the button repeatedly until the source becomes iPod.

NOTICE

If an iPod is not connected, it will not switch to iPod even if you press the AUX button.

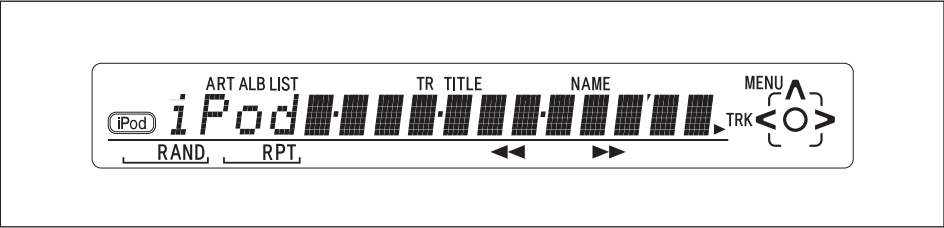
② MULTI SELECTOR

• TRK <UP>

Turn the MULTI SELECTOR clockwise or press it to the right to proceed to the next track.

• TRK <DOWN>

Turning the MULTI SELECTOR counterclockwise or pressing it to the left takes you back to the start of the track currently playing. Turn the MULTI SELECTOR counterclockwise or press it to the left once more to return to the previous track.



• MENU

This calls up the iPod MENU. If you first press the MULTI SELECTOR up, play lists are displayed. Each time you press the MULTI SELECTOR up the display changes to one level up from the current level.

If you turn the MULTI SELECTOR counterclockwise or clockwise or press to the left or right, the MENU changes as follows:

Playlists ↔ Artists ↔ Albums ↔ Songs

• Category (Sub Menu)

Each MENU has SUB MENUS called Categories that you can call up. If you select a MENU and press the MULTI SELECTOR in the center, you move to one level lower. Each of the SUB MENUS has the following levels:

- **Playlists → List name → Track title**
- **Artists → Artists name → Album title → Track title**
- **Albums → Album title → Track title**
- **Songs → Track title**

With each SUB MENU, turning the MULTI SELECTOR or pressing it to the left or right changes the selected item.

③ PRESET 1 (Random)

If you press this, **RAND**, is indicated in the display and starts to play tracks on the iPod being played in random order. Press again to cancel. After playback finishes of the track playing when PRESET 1 was pressed, random playback begins.

④ PRESET 2 (Repeat)

If you press this, **RPT**, is indicated in the display and starts to repeat the track being played. Press again to cancel.

⑤ PRESET 5 (◀◀)

While this is pressed, play of the track is reversed. Only this track is reversed. (There is sound.)

⑥ PRESET 6 (▶▶)

While this is pressed, play of the track is fast forwarded. Only this track is fast forwarded. (There is sound.)

⑦ TEXT

Text information recorded on the iPod can be displayed.

Up to 16 characters can be displayed at once.

Press and display indications change as follows:

ELAPSED TIME → ART NAME (Artist Name) → ALB TITLE (Album Title) → TR TITLE (Track Title)

When ► is displayed, if you press and hold until you hear a beep, the display will change to the next page. A maximum of 2 pages (32 characters) can be displayed.

NOTICE

- You may hear noise if you disconnect during iPod playback.
- The SCAN operation is not available when listening to the iPod.

NOTICE

An additional Genuine Toyota satellite receiver and antenna must be purchased and installed to listen to Satellite radio broadcast in your vehicle.

CAUTION

This equipment has been tested and found to comply with the limits for a class B digital device, pursuant to Part 15 of the FCC Rules. These limits are designed to provide reasonable protection against harmful interference in a residential installation. This equipment generates, uses and can radiate radio frequency energy and, if not installed and used in accordance with the instructions, may cause harmful interference to radio communications. However, there is no guarantee that interference will not occur in a particular installation.

- This XM tuner supports “Audio Services” (Music and Talk) of only XM Satellite Radio and * “Text Information” linked to the respective “Audio Service”.

* “Text Information” includes, Station Name, (Artist) Name, (Song) Title and Category Name.

- XM Satellite Radio Inc. is solely responsible for providing services over the air to XM receivers.
- This XM tuner is awarded a Type Approval Certificate from XM Satellite Radio Inc. on “February 1st , 2005” as a proof of compliance for the services XM Satellite Radio provides.

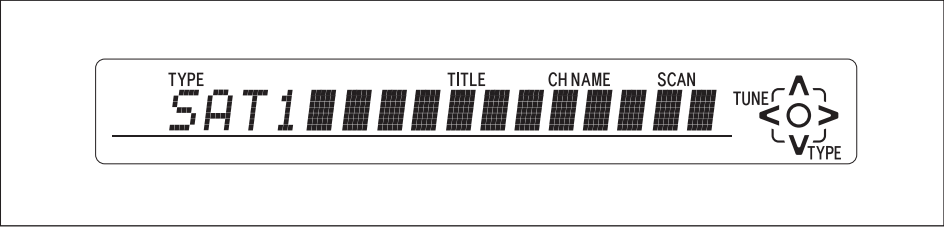
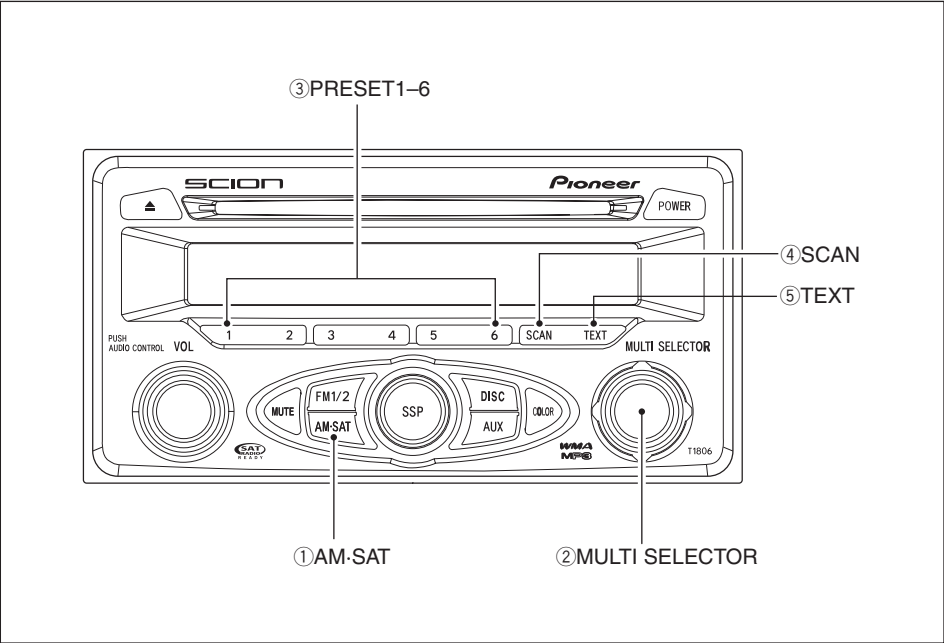
How to Subscribe to XM Satellite Radio <Option>

Listeners can subscribe by visiting XM on the Web at www.xmradio.com or by calling XM's Listener Care toll-free at (800)852-9696. Customers should have their Radio ID ready; the Radio ID can be found by selecting channel 000 on the radio.

All fees and programming are the responsibility of XM Satellite Radio and are subject to change.



Listening to a XM Satellite Radio broadcast



① AM-SAT

Switches between the AM mode and SAT1/2/3 modes. (must have Satellite Radio receiver and antenna installed at an additional charge to listen to Satellite Radio.)

② MULTI SELECTOR

The channel preset in PRESET 1-6 switches each time you press the MULTI SELECTOR in the center.

• TUNE <UP>

Turning the MULTI SELECTOR clockwise or pressing it to the right selects the next higher channel. If you press and hold, you can rapidly scroll forward through the channels. While displaying Channel Category by TYPE UP/DOWN, you can select the next channel forward within the currently selected type (Channel Category) by pressing the MULTI SELECTOR to the right.



• TUNE <DOWN>

Turn the MULTI SELECTOR counter-clockwise or press to the left to select the previous channel.

If you press and hold, you can rapidly scroll down through the channels.

While displaying Channel Category by TYPE UP/DOWN, you can select the previous channel within the currently selected type (Channel Category) by pressing the MULTI SELECTOR to the left.

• TYPE <UP>

Press the MULTI SELECTOR up to see the Channel Category of the channel that is currently received.

When Channel Category is displayed (**TYPE** is indicated), press again to switch to the next category.

• TYPE <DOWN>

Press the MULTI SELECTOR down to see Channel Category of channel that is currently received.

When Channel Category is displayed (**TYPE** is indicated), press again to switch to the previous category.

③ PRESET 1-6

Press to recall previously stored channels (Preset Channels).

Press and hold until you hear a beep, and the channel you are currently receiving will be stored as a Preset Channel.

NOTICE

You can store up to 6 channels per band.

④ SCAN

Press and SCAN of the currently selected type (Channel Category) starts. At this time, **SCAN** is indicated in the display.

If you press and hold until you hear a beep, SCAN of preset channels starts.

Also at this time, **SCAN** is indicated in the display.

⑤ TEXT

Press and indication in the display changes as follows:

CH NAME → **TITLE (SONG/PROGRAM TITLE)** → **NAME (ARTIST NAME/FEATURE)** → **CH NUMBER** → **CH NAME**

NOTICE

About the display

Up to a maximum of 16 alphanumeric characters can be displayed. (Some information will not be fully displayed.)



Display the RADIO ID

Each XM tuner is identified with a unique Radio ID. You will need the Radio ID when activating XM service or when reporting a problem.

How to display RADIO ID

If you select "CH 000", the ID Code is displayed.

Select the Channel Number zero (000) by turning the MULTI SELECTOR or pressing it to the left or right.

The RADIO ID is displayed as 8 alphanumeric characters.

(Refer to page 25 to confirm your radio ID code)

Record your ID Code below

ID CODE _____

NOTICE

- If you select another Channel, display of the ID Code is canceled.
- Channel (000) alternates the display between "RADIO ID" and the specific radio ID code.

Radio ID

Refer to the corresponding chart to verify the Radio ID Code before contacting XM Satellite Radio to activate your service.

Corresponding chart

Display	ID	Display	ID	Display	ID
1	1	A	A	N	N
2	2	B	B	—	O (Not used.)
3	3	C	C	P	P
4	4	D	D	Q	Q
5	5	E	E	R	R
6	6	—	F (Not used.)	—	S (Not used.)
7	7	G	G	T	T
8	8	H	H	U	U
9	9	—	I (Not used.)	V	V
0	0	J	J	W	W
		K	K	X	X
		L	L	Y	Y
		M	M	Z	Z



Using the AUX

You can listen to an iPod, portable audio component or other auxiliary component by connecting it to this product.

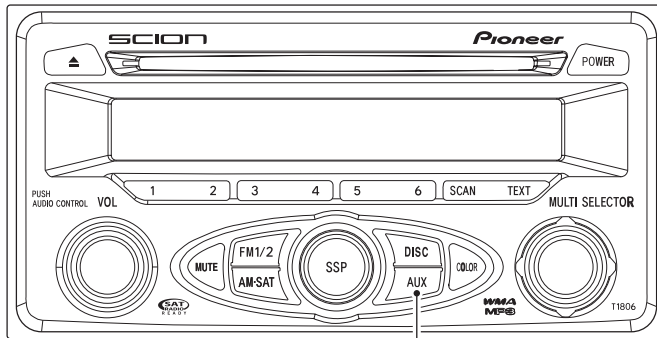
To listen to a portable audio component or other component, connect the mini plug of a commercially available cable connected to the component to the car AUX jack.

① AUX

Switches to the AUX mode.

NOTICE

- If the mini plug of a commercially available cable connected to a portable audio or other component is not connected to the car AUX jack, the mode will not change to the AUX mode even if you press the AUX button.
- Volume level when playing a component connected with a mini plug differs to that when listening to the built-in CD player or radio so please make adjustments.



① A U X

A graphic showing the word 'AUX' in a stylized, blocky font, centered within a horizontal bar. The bar has a series of vertical bars on either side of the text, resembling a digital display or a progress indicator.

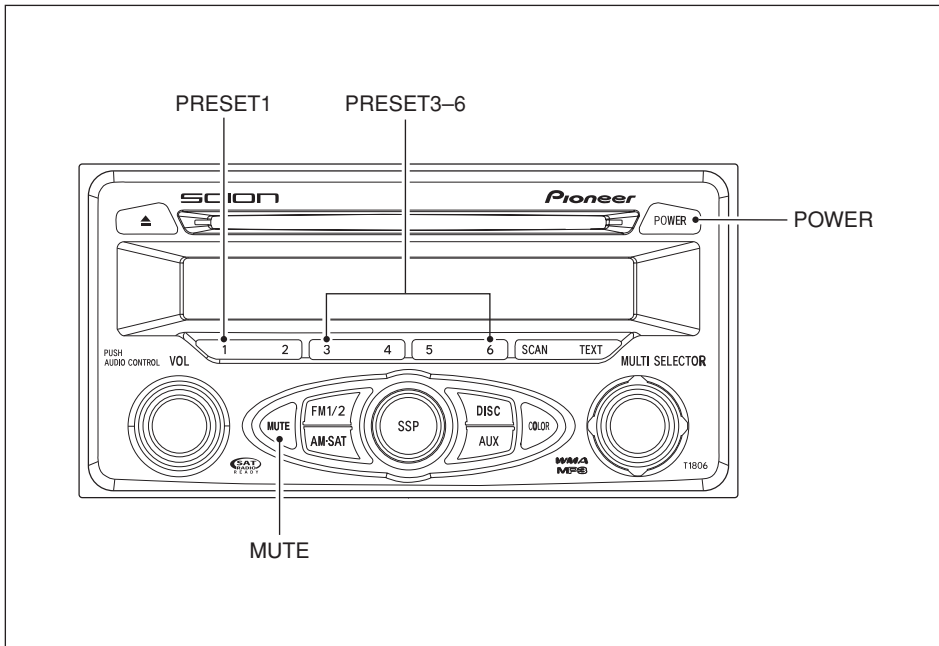
Changing the Welcome Screen

With the main unit switched on after pressing the Power button, once the key is turned from the ACC position to the off position and back to ACC again, "Scion" is displayed as the Welcome Screen. Users can edit the text themselves to make another Welcome Screen, as an alternate to the default "Scion" display. Up to a maximum of 16 characters can be displayed. The procedure is described below.

① Moving to "Customize Mode" to Enable Editing

- 1 With the main unit on, turn the key from the ACC position to the off position.
- 2 On the main unit, press and hold MUTE then turn the key to ACC. The horizontal line in the LCD display will start flashing.
- 3 Within 15 sec. after confirming the horizontal line is flashing, press and hold the PRESET 1 button then turn the key to OFF position. (If 15 sec. elapses before you complete the button presses, "TIME OUT" will be displayed and the unit will beep twice. If this occurs, repeat the procedure from Step 1).

This completes shifting to the customize mode.



② Editing the Text

After completing the shift to customize mode, a flashing cursor shows the letter that can be edited by selecting a letter starting from "A".

The letter selection method is described below. The time allowed for editing is limited to 60 sec.

- 1 Press the PRESET 3 or 4 buttons to change the flashing letter by displaying other letters one by one. The letters will change continuously if you press and hold the PRESET 3 or 4 button.

List of the letters and numbers that can be selected.

- Upper case letters (A to Z)
- Lower case letters (a to z)
- Numbers 0 to 9, spaces, symbols (!"#\$ and so on)

- 2 With the character that you want to select displayed, press the PRESET 6 button to select it.

After selecting the character, the cursor moves to the right so you can edit the next character. After you select the 16th character, the entire line starts flashing.

To delete a selected character, press the PRESET 5 button. After you delete a character the cursor shifts left so you can edit the previous character. If you delete all of

the text, you can edit from the first character.

- 3 After you are finished selecting the text for the line, press and hold down the PRESET 6 button.

The selected text string is registered as the Welcome Screen. The customize mode ends and the registered text string is displayed for 6 sec.

NOTICE

- If the unit leaves the customize mode during editing, repeat procedure ① from Step 2.
- If the edit is registered with no new text, the original Welcome Screen, "Scion", will be restored.

③ New Message Display

The next time the ACC is switched on, the text edited by the user will be displayed.

NOTICE

To prevent the battery from being discharged, do not leave the car audio on longer than necessary when the engine is not running.

Using the Steering Controller

In vehicles equipped with one, you can use the steering controller to operate this product.

Operation button names and functions

■ Volume buttons (⊕, ⊖)

Press ⊕ to raise the volume level.
Press ⊖ to lower the volume level.

■ Mode selection button (MODE)

- When power to this product is OFF:
Press the button and power switches ON.
- When power to this product is ON:
Each time you press the button the *source changes. If you continue pressing the button for an extended period, power to this product switches OFF.

*The source switches in the following order:

**FM1 → FM2 → CD → (iPod) → (AUX)
→ AM → (SAT1) → (SAT2) → (SAT3)
→ FM1**

■ Track/station selection button (|◀◀, ▶▶|)

- When listening to the radio:
Press the button and the preset memory is recalled in order. If you continue pressing the button for an extended period, automatic station selection begins.
- When listening to a CD:
Press the button to select a track.
- When listening to MP3/WMA:
Press the button to select a file.
Press and hold the button to select a folder.
- When listening to the iPod:
Press the button to select a track.
- When listening to a SAT broadcast:
Press the button to recall preset channels in order.

MP3 and WMA files

- MP3 is short for MPEG Audio Layer 3 and refers to an audio compression technology standard.
- WMA is short for Windows Media™ Audio and refers to an audio compression technology that is developed by Microsoft Corporation. WMA data can be encoded by using Windows Media Player version 7 or later.
- With some applications used to encode WMA files, this unit may not operate correctly.
- With some applications used to encode WMA files, album names and other text information may not be correctly displayed.
- This unit allows playback of MP3/WMA files on CD-ROM, CD-R and CD-RW discs. Disc recordings compatible with level 1 and level 2 of ISO9660 and with the Romeo and Joliet file system can be played back.
- It is possible to play back multi-session compatible recorded discs.
- MP3/WMA files are not compatible with packet write data transfer.
- The maximum number of characters which can be displayed for a file name, including the extension (.mp3, .wma), is 64 , from the first character.
- The maximum number of characters which can be displayed for a folder name is 64 .

- In case of files recorded according to the Romeo file system, only the first 64 characters can be displayed.
- The folder selection sequence for playback and other operations becomes the writing sequence used by the writing software. For this reason, the expected sequence at the time of playback may not coincide with the actual playback sequence. However, there also is some writing software which permits setting of the playback order.

IMPORTANT

- **When naming an MP3/WMA file, add the corresponding filename extension (.mp3, .wma).**
- **This unit plays back files with the filename extension (.mp3, .wma) as an MP3/WMA file. To prevent noise and malfunctions, do not use these extensions for files other than MP3/WMA files.**

MP3 additional information

- Files are compatible with the ID3 Tag Ver. 1.0, 1.1, 2.2, 2.3 and 2.4 formats for display of album (disc title), track (track title), artist (track artist) and comments. Ver. 2.x of ID3 Tag is given priority when both Ver. 1.x and Ver. 2.x exist.
- The emphasis function is valid only when MP3 files of 32, 44.1 and 48 kHz frequencies are played back. (16, 22.05, 24, 32, 44.1, 48 kHz sampling frequencies can be played back.)
- There is no m3u play list compatibility.
- There is no compatibility with the MP3i (MP3 interactive) or mp3 PRO formats.
- The sound quality of MP3 files generally becomes better with an increased bit rates. This unit can play recordings with bit rates from 8 kbps to 320 kbps, but in order to be able to enjoy sound of a certain quality, we recommend using only discs recorded with a bit rate of at least 128 kbps.

WMA additional information

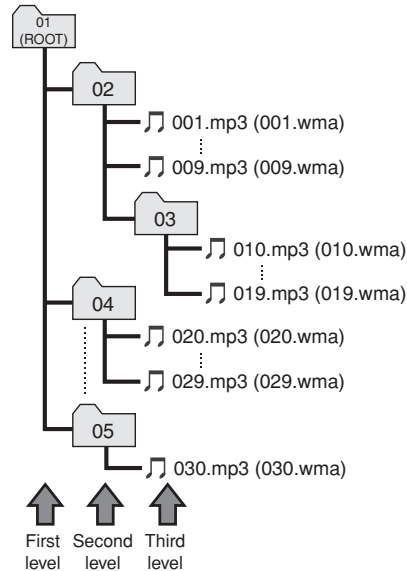
- This unit plays back WMA files encoded by Windows Media Player version 7, 7.1, 8 and 9.
- You can only play back WMA files in the frequencies 32, 44.1 and 48 kHz.
- The sound quality of WMA files generally becomes better with an increased bit rate. This unit can play recordings with bit rates from 48 kbps to 320 kbps (CBR) or from 48 kbps to 384 kbps (VBR), but in order to be able to enjoy sound of a certain quality, we recommend using discs recorded with a higher bit rate.
- This unit doesn't support the following formats.
Windows Media Audio 9 Professional(5.1ch)

Windows Media Audio 9 Lossless

Windows Media Audio 9 Voice

About folders and MP3/WMA files

- An outline of a CD-ROM with MP3/WMA files on it is shown below. Subfolders are shown as folders in the folder currently selected.



NOTES

- This unit assigns folder number. The user can not assign folder numbers.
- It is not possible to check folders that do not include MP3/WMA files. (These folders will be skipped without displaying the folder number.)
- MP3/WMA files in up to 8 tiers of folders can be played back. However, there is a delay in the start of playback on discs with numerous tiers. For this reason we recommend creating discs with no more than 2 tiers.
- It is possible to play back up to 99 folders on one disc.

Terms

Packet write

This is a general term for a method of writing on CD-R, etc. at the time required for a file, just as is done with files on floppy or hard discs.

Bit rate

This expresses data volume per second, or bps units (bits per second). The higher the rate, the more information is available to reproduce the sound. Using the same encoding method (such as MP3), the higher the rate, the better the sound.

Multi-session

Multi-session is a recording method that allows additional data to be recorded later. When recording data on a CD-ROM, CD-R or CD-RW, etc., all data from beginning to end is treated as a single unit or session. Multi-session is a method of recording more than 2 sessions in one disc.

CD-DA

CD-DA is an abbreviation of Compact Disc Digital Audio. It refers to the uncompressed format of regular CDs.

ID3 Tag

This is a method of embedding track-related information in a MP3 file. This embedded information can include the track title, the artist's name, the album title, the music genre, the year of production, comments and other data. The contents can be freely edited using software with ID3 Tag editing functions. Although the tags are restricted to the number of characters, the information can be viewed when the track is played back.

ISO9660 format

This is the international standard for the format logic of CD-ROM folders and files. For the ISO9660 format, there are regulations for the following two levels.

Level 1:

The file name is in 8.3 format (the name consists of up to 8 characters, half-byte English capital letters and half-byte numerals and the "_" sign, with a file-extension of three characters.)

Level 2:

The file name can have up to 31 characters (including the separation mark "." and a file extension). Each folder contains less than 8 hierarchies.

Extended formats

Joliet:

File names can have up to 64 characters.

Romeo:

File names can have up to 128 characters.

m3u

Playlists created using the "WINAMP" software have a playlist file extension (.m3u).

MP3

MP3 is short for MPEG1 & 2 Audio Layer3. It is an audio compression standard set by a working group (MPEG of the ISO (International Standards Organization)). MP3 is able to compress audio data to about 1/10 the level of a conventional disc.

WMA

WMA is short for Windows Media™ Audio and refers to an audio compression technology that is developed by Microsoft Corporation. WMA data can be encoded by using Windows Media Player version 7 or later.

Microsoft, Windows Media, and the Windows logo are trademarks, or registered trademarks of Microsoft Corporation in the United States and/or other countries.

CD player and care

- Use only CDs that have either of the two Compact Disc Digital Audio marks as shown below.



- Use only normal, round CDs. If you insert irregular, non-round, shaped CDs they may jam in the CD player or not play properly.

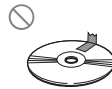


- Check all CDs for cracks, scratches or warping before playing. CDs that have cracks, scratches or are warped may not play properly. Do not use such discs.
- Avoid touching the recorded (non-printed) surface when handling the disc.
- Store discs in their cases when not in use.
- Keep discs out of direct sunlight and do not expose the discs to high temperatures.
- Do not attach labels, write on or apply chemicals to the surface of the discs.

- To clean a CD, wipe the disc with a soft cloth outward from the center.



- If the heater is used in cold weather, moisture may form on components inside the CD player. Condensation may cause the CD player to malfunction. If you think that condensation is a problem, turn off the CD player for an hour or so to allow it to dry out and wipe any damp discs with a soft cloth to remove the moisture.
- Road shocks may interrupt CD playback.
- Never put a label, tape or scratches on a disc. These will prevent the disc from being played.



CD-R and CD-RW discs

- When CD-R/CD-RW discs are used, playback is possible only for discs which have been finalized.
- It may not be possible to play back CD-R/CD-RW discs recorded on a music CD recorder or a personal computer because of disc characteristics, scratches or dirt on the disc, or dirt, condensation, etc., on the lens of this unit.

- Playback of discs recorded on a personal computer may not be possible, depending on the application settings and the environment. Please record with the correct format. (For details, contact the manufacturer of the application.)
- Playback of CD-R/CD-RW discs may become impossible in case of direct exposure to sunlight, high temperatures, or the storage conditions in the car.
- Titles and other text information recorded on a CD-R/CD-RW disc may not be displayed by this unit (in the case of audio data (CD-DA)).
- This unit conforms to the track skip function of the CD-R/CD-RW disc. The tracks containing the track skip information are skipped automatically (in case of audio data (CD-DA)).
- If you insert a CD-RW disc into this unit, time to playback will be longer than when you insert a conventional CD or CD-R disc.
- Read the precautions accompanying the CD-R/CD-RW discs before use.
- Recordings on CD-R/CD-RW can not be played back using the DDCD (Double Density CD) system.
- This unit will not play back SACD (Super Audio CD).

Error indications

If the CD player does not work, the CD stops suddenly during playback, or a similar problem occurs, an error indication will appear on the display. The cause of the trouble will be indicated by an error number, and you should check the corresponding item shown in the table below.

ERROR 1	When the disc is dirty or has been inserted upside-down. Check the disc.
ERROR 3	There is probably an electrical or mechanical fault in the CD player. Contact your Scion dealer and ask for repair.
ERROR 4	This appears when there is excess current flow. Contact your Scion dealer and ask for repair.
WAIT	This appears when the CD changer does not work because its temperature is high. Wait a short while until the vehicle temperature goes down.
NO DATA DISC	This appears when an MP3/WMA file format is unusual and not supported by this unit like WAV format recordings. Please check the MP3/WMA file format.

When problems occur while the iPod is connected to this unit, a message will appear on the display. Refer to the table below to identify the problem, then take the suggested corrective action.

Update Your iPod	Old version of iPod. Update the version of iPod.
iPod Comm. Error	Communication failure. Disconnect the cable from iPod. Once iPod main menu appears in the iPod display, connect the cable again. Reset the iPod.
iPod ChargeError	iPod charge voltage is not normal. Disconnect the cable from iPod. Once iPod main menu appears in the iPod display, connect the cable again. Check that there is no foreign substance etc. on the connected part of the connector.
iPod No Songs	No songs. Transfer the songs to iPod.
Empty Playlist!	No songs in the current Playlist. Select a list that contains the songs.

When problems occur with the XM tuner, a message will appear on the display. Refer to the table below to identify the problem, then take the suggested corrective action.

CHECK ANTENNA	The XM antenna is not connected. Check whether the XM antenna cable is attached securely.
	A short-circuit occurring in the antenna or the surrounding antenna cable. Make sure that there is nothing unusual with the antenna or antenna cable.
UPDATING	You have not subscribed to XM. Radio is being updated with latest encryption code. Contact XM Satellite Radio for subscription information. When a contract is canceled you can choose CH000 and all free-to-air channels.
	Premium channel you selected is not authorized. Wait approximately 2 seconds until the radio returns to the previous channel or CH001. If it doesn't change automatically, select another channel. If you want to listen to the premium channel, please contact XM.
NO SIGNAL	XM signal is too weak at the current location. Wait until your vehicle reaches a location with a stronger signal.
LOADING	Unit is acquiring audio or program information. Wait until the unit has received the information.
OFF AIR	The channel you selected is not broadcasting any programming. Select another channel.
-----	There is no song/program title or artist name/feature associated with the channel at that time. No action needed.
---	The channel you selected is no longer available. Wait approximately 2 seconds until the radio returns to the previous channel or CH001. If it doesn't change automatically, select another channel.

The XM Listener Care Center is also available on the phone, please call (800)-852-9696 during the following hours:
Mon - Sat: 7 AM - 1 AM EST Sun: 12 PM - 12 AM EST

Changing or disconnecting your battery

When you purchase a vehicle, your dealer sets the Equalizer for the vehicle type.

Remember that when you change or disconnect your battery, the Equalizer settings return to the xA factory settings.

If this happens, it is recommended you set the Equalizer for the type of vehicle you purchased. For more details, please contact your nearest SCION dealer.

Changing the vehicle type Equalizer setting

Press and hold the SSP button until you hear a beep, and the current Equalizer setting is displayed. Turn the VOLUME knob to change the vehicle type.

FIX-Equalizer mode changes as follows:

Car type tC → Car type xB → Car type xA

Specifications

General

Power source	13.2 V DC (10.5 – 16.0 V allowable)
Grounding system	Negative type
Max. current consumption	15 A
Dimensions (W × H × D)	200 × 100 × 165 mm
Weight	2.0 kg

Audio

Tone controls	
(Bass)	Frequency : 55 Hz Level : +11 dB -13 dB
(Treble)	Frequency : 14080 Hz Level : +8 dB -10 dB
Maximum power output	40 W × 4
Load impedance	4 Ω

CD player

System	Compact disc audio system
Usable discs	Compact disc
Signal format	
Sampling frequency	44.1 kHz
Number of quantization bits	16; linear
Number of channels	2 (stereo)
MP3 decoding format	MPEG1 & 2 Audio Layer 3
WMA decoding format	Ver.7, 7.1, 8, 9 (2ch audio)

AM tuner

Frequency range 530 – 1710 kHz

FM tuner

Frequency range 87.75 – 107.9 MHz

< KOKFF > < 05D00000 > < DEH-M8157ZT >

< CRB2092-B > UC

Free Manuals Download Website

<http://myh66.com>

<http://usermanuals.us>

<http://www.somanuals.com>

<http://www.4manuals.cc>

<http://www.manual-lib.com>

<http://www.404manual.com>

<http://www.luxmanual.com>

<http://aubethermostatmanual.com>

Golf course search by state

<http://golfingnear.com>

Email search by domain

<http://emailbydomain.com>

Auto manuals search

<http://auto.somanuals.com>

TV manuals search

<http://tv.somanuals.com>