

# C0330, C0530, C0630, C0830, C1030 Service Parts

This part list contains the service parts for the air cooled, water cooled and remote air cooled C0330, C0530, C0630, C0830, C1030 ice machines.

To avoid costly and time consuming errors, double check the model and voltage before ordering a part.

Note: These abbreviations are used in this list:

- AC = Air Cooled
- WC = Water Cooled
- RC = Remote Cooled
- HGV = Hot Gas Valve
- TXV = Thermostatic Expansion Valve
- Volt = Voltage
- Sol Vlv = Solenoid Valve
- Hdwe = Hardware

## Table of Contents

Cabinet - C0330, C0530, C0630	Page 2
Cabinet - C0830, C1030	Page 3
Interior Parts	Page 4
Evaporator Compartment	Page 5
Air Cooled Refrigeration System	Page 6
Air Cooled Mechanical & Electrical - C0330	Page 7
Air Cooled Mechanical & Electrical - C0530, C0630, C0830, C1030	Page 8
Water Cooled Refrigeration System	Page 9
Remote Refrigeration System	Page 10
Electrical & Control Box	Page 11
Compressors	Page 12
Compressor Mounting Hardware	Page 12
Crankcase Heaters	Page 12
Remote Condenser, ERC111, ERC211, and ERC311	Page 13

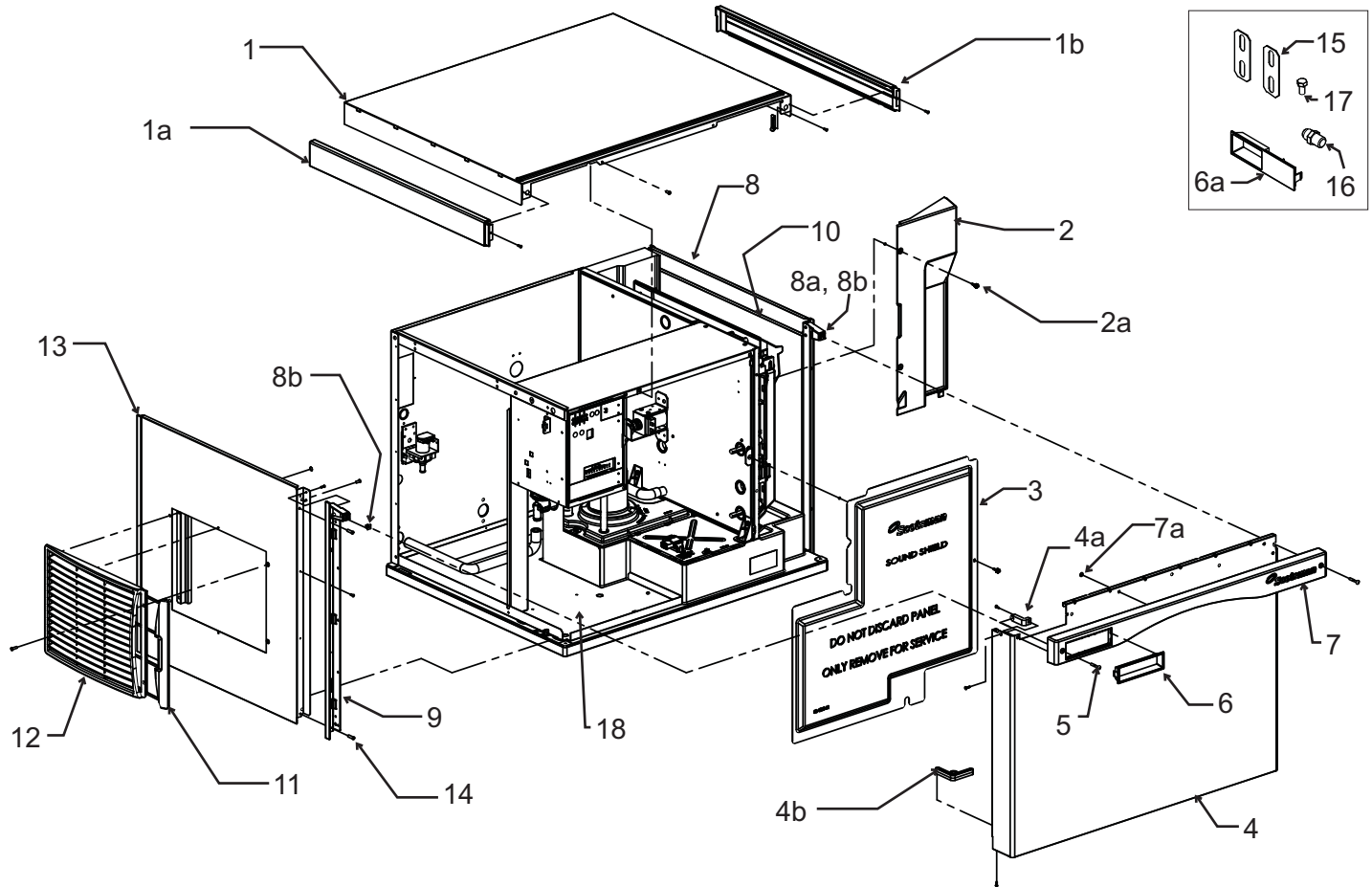
**Scotsman**  
**800-533-6006**  
**[www.scotsman-ice.com](http://www.scotsman-ice.com)**

17-3140-02

**August 2006**  
**Page 1**

# C0330, C0530, C0630, C0830, C1030 Service Parts

## Cabinet - C0330, C0530, C0630

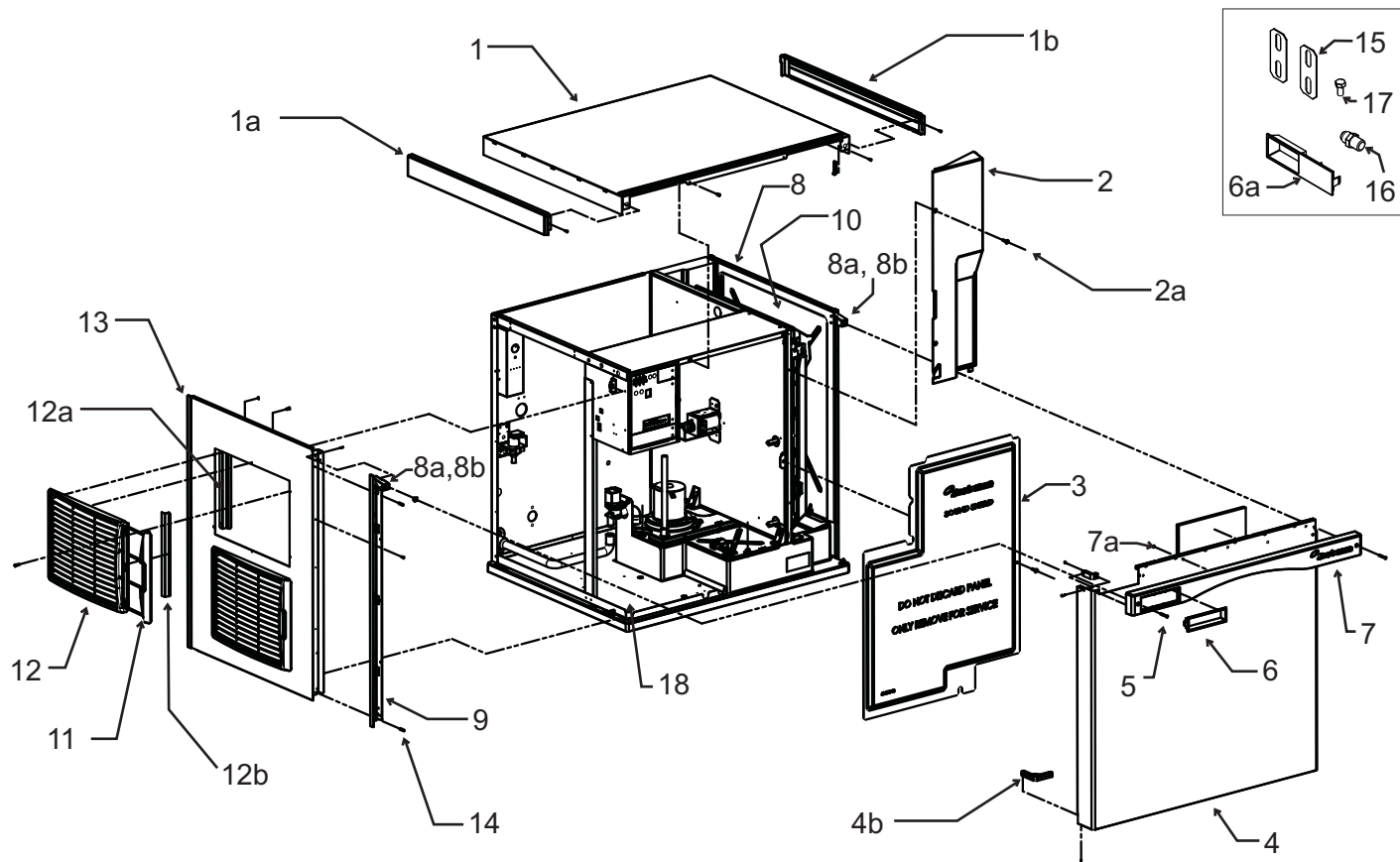


Item Number	Part Number	Description	Item Number	Part Number	Description
1*	A38941-022	Top panel, w/trim strips	8a	02-4215-01	Receptacle
1a	02-4221-01	Left trim strip	8b	03-3804-01	Screw receptacle
1b	02-4221-02	Right trim strip	9	02-4067-01	Side panel support for water cooled and remote models
2	02-4240-01	Evaporator cover	02-4067-02	Side panel support for air cooled models	
2a	03-0727-05	Screw	10	02-4336-01	Right side panel liner
3	02-4218-01	Sound shield - use discontinued late 2008	11	02-4212-01	Air filter
4*	A38552-022	Front panel assembly, includes trim strip, gussets and labels.	12	02-4224-01	Louver panel
4a	02-4216-01	Top gusset	12a	A39222-001	Filter guide
4b	02-4217-01	Bottom gusset	12b	A39238-001	Louver bracket
5	03-1735-03	Screw, front panel	13*	A38551-021	Left side panel, AC
6	02-4284-01	Bezel, full window	A38551-022	Left side panel WC, RC	
6a	02-4284-02	Bezel, partial window	14	03-1404-12	Screw
7	02-4214-02	Trim strip	15	A30911-015	Machine straps
7a	03-1731-02	Push nut	16	16-0355-00	Inlet water fitting, flare
8*	A38553-021	Right side panel assy	17	03-1405-15	Screw
			18	A38608-001	Compressor deck

\*Note: All panels supplied complete as used on unit

# C0330, C0530, C0630, C0830, C1030 Service Parts

## Cabinet - C0830, C1030

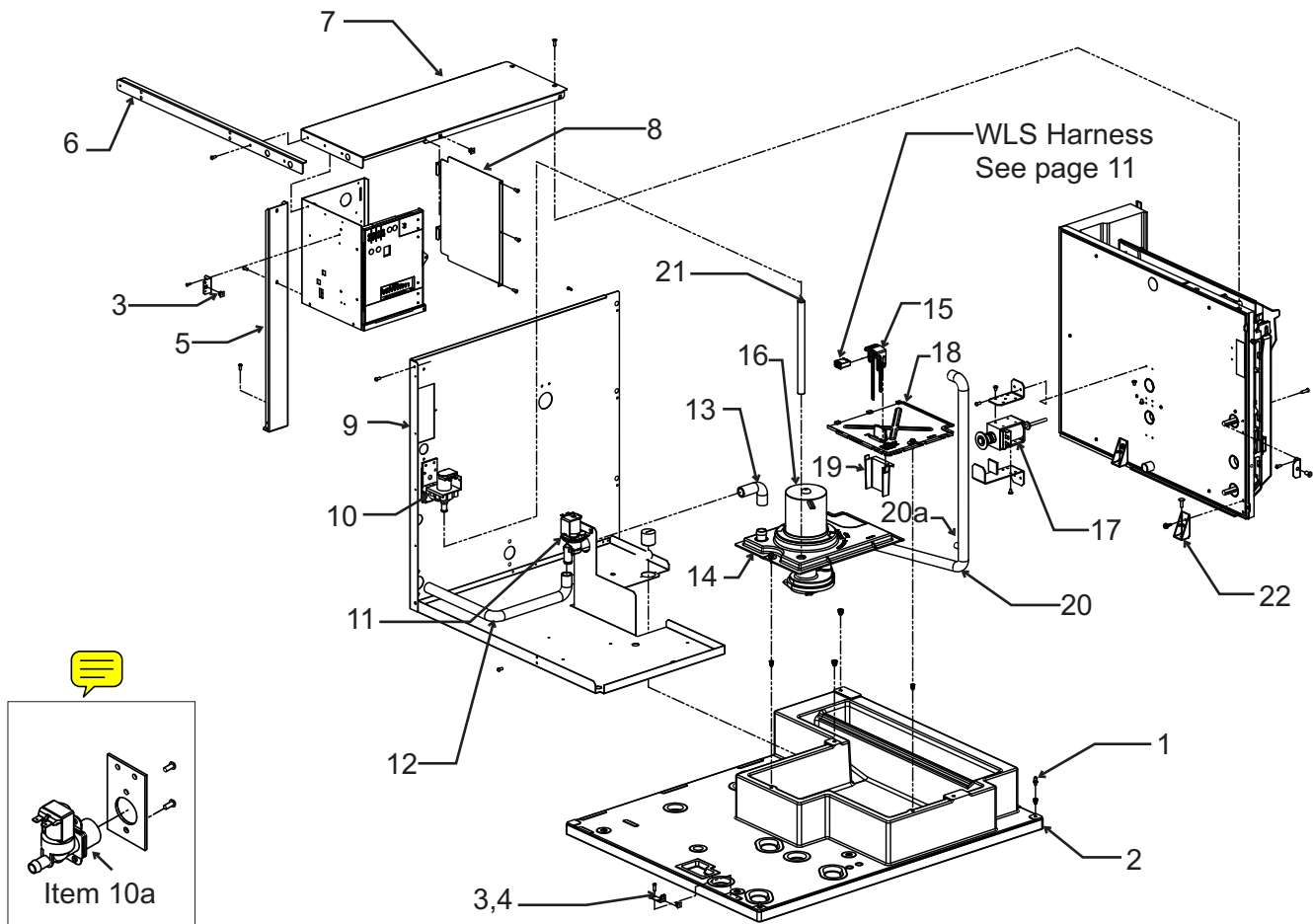


Item Number	Part Number	Description	Part Number	Description
1*	A38941-022	Top panel, w/trim strips	8b	03-3804-01 Screw receptacle
1a	02-4221-01	Left trim strip	9	02-4067-03 Side panel support for water cooled and remote models
1b	02-4221-02	Right trim strip		02-4067-04 Side panel support for air cooled models
2	02-4240-02	Evaporator cover	10	02-4336-02 Right side panel liner
2a	03-0727-05	Screw	11	02-4212-01 Air filter
3	02-4218-02	Sound shield - use discontinued late 2008	12	02-4224-01 Louver panel
4*	A38552-023	Front panel assembly, includes trim strip, gussets and labels.	12a	A39222-001 Filter guide
4a	02-4216-01	Top gusset	12b	A39238-001 Louver bracket
4b	02-4217-01	Bottom gusset	13*	A38551-023 Left side panel, AC
5	03-1735-03	Screw, front panel		A38551-024 Left side panel WC, RC
6	02-4284-01	Bezel, full window	14	03-1404-12 Screw
6a	02-4284-02	Bezel, partial window	15	A30911-015 Machine straps
7	02-4214-02	Trim strip	16	16-0355-00 Inlet water fitting, flare
	03-1731-02	Push nut	17	03-1405-15 Screw
8*	A38553-022	Right side panel assy	18	A38611-001 Compressor deck
8a	02-4215-01	Receptacle		

\*Note: All panels supplied complete as used on unit.

# C0330, C0530, C0630, C0830, C1030 Service Parts

## Interior Parts



Item Number	Part Number	Description
1	15-0411-00	Strike
2	A38589-002	Base, insulated
3	03-3804-01	Receptacle
4	A38732-001	Side panel mount
5	A38607-001	Strut, C0330-630
	A38629-001	Strut, C0830, C1030
6	A38582-001	Brace
7	A38539-002	Control box top
8	A38537-001	Control box side
9	see pages 7, 9 and 10 for back panels	
10	12-2922-01	Inlet water sol vlv, 115 volt
	12-2922-02	Inlet water sol vlv, 230 volt
	12-2912-01	Water valve rebuild kit
10a	11-0568-02	Inlet water sol vlv, CE mod
11	11-0564-01	Purge valve, 115 volt
	11-0564-02	Purge valve, 230 volt
12	A38860-002	Drain tube
13	A38860-001	Drain hose
14	02-4164-01	Water pump bracket
15	A39030-021	Water level sensor

16	see table	Water pumps
Pumps	115	208-230
C0330, C0530	12-2919-21	12-2919-22
C0630	-	12-2919-22
C0830, C1030	-	12-2920-23

17	see table	Harvest assist solenoid
Hvst. solenoids	115	208-230
C0330, C0530	12-2918-21	12-2918-22
C0630	-	12-2918-22
C0830, C1030	-	12-2934-22

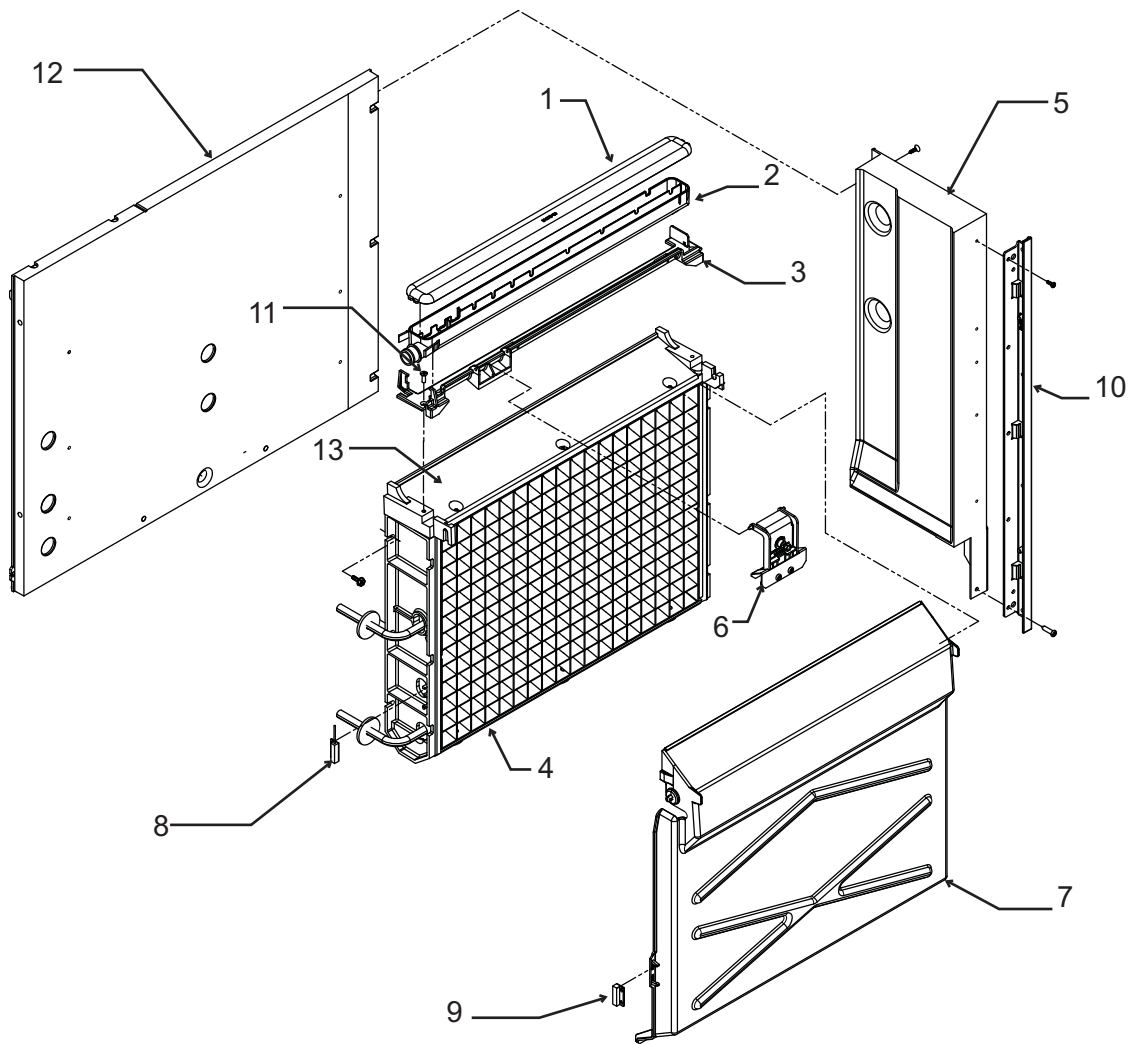
18	02-4166-01	Reservoir cover
19	02-4332-01	Sensor cover
20	02-4154-03	Pump hose, C0830-C1030
	02-4154-02	Pump hose, C0530-C0630
	02-4154-01	Pump hose, C0330
20a	11-0515-21	Temp sensor set
21	13-0674-02	Fill hose order by ft
	15-0821-01	Fill hose, -6 CE models
22	02-4152-01	Gusset

November 2008

Page 4

# C0330, C0530, C0630, C0830, C1030 Service Parts

## Evaporator Compartment



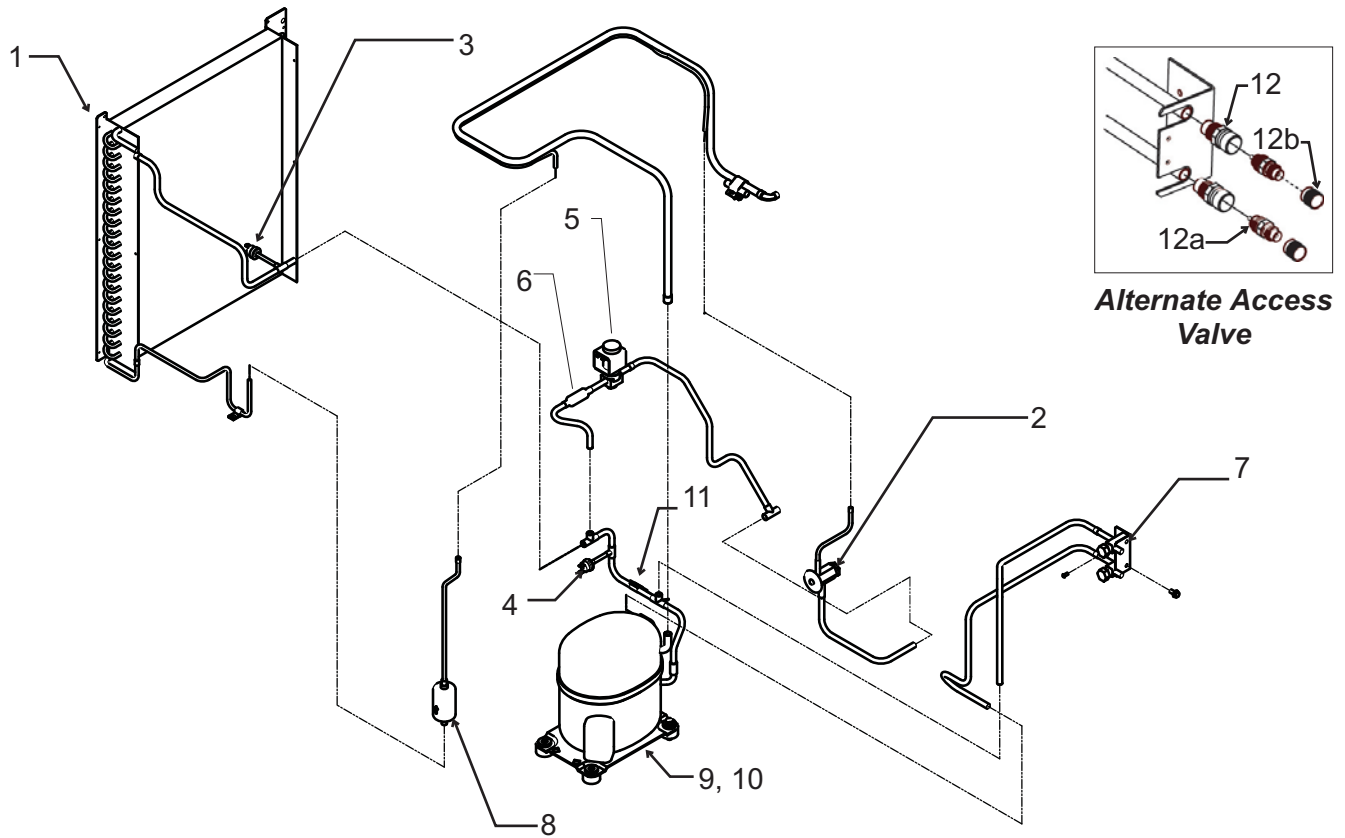
Item Number	Part Number	Description
1	02-4065-01	Water distributor cover
2	02-4064-01	Water distributor
3	02-4205-01	Mounting bracket
4	see table	Evaporator
5	A38596-001	Back wall, C0330, C0530, C0630
	A38598-001	Back wall, C0803, C1030
6	A39031-021	Ice thickness sensor
7	02-4100-21	Curtain, C0330
	02-4100-22	Curtain, C0530, C0630
	02-4100-23	Curtain, C0830, C1030
8	11-0563-01	Curtain switch
9	11-0563-02	Curtain switch magnet
10	02-4067-01	Side panel support C0330, C0530, C0630
	02-4067-03	Side panel support C0830, C1030
11	03-1418-30	Mounting screw
12	13-0943-01	Gasket tape
13	02-4156-21	Spillway replacement kit

Note: Item 7 includes item 9, shipped loose.

	small cube	medium cube
C0330	A38626-021	A38626-022
C0530, C0630	A38627-021	A38627-022
C0830, C1030	A38628-021	A38628-022

# C0330, C0530, C0630, C0830, C1030 Service Parts

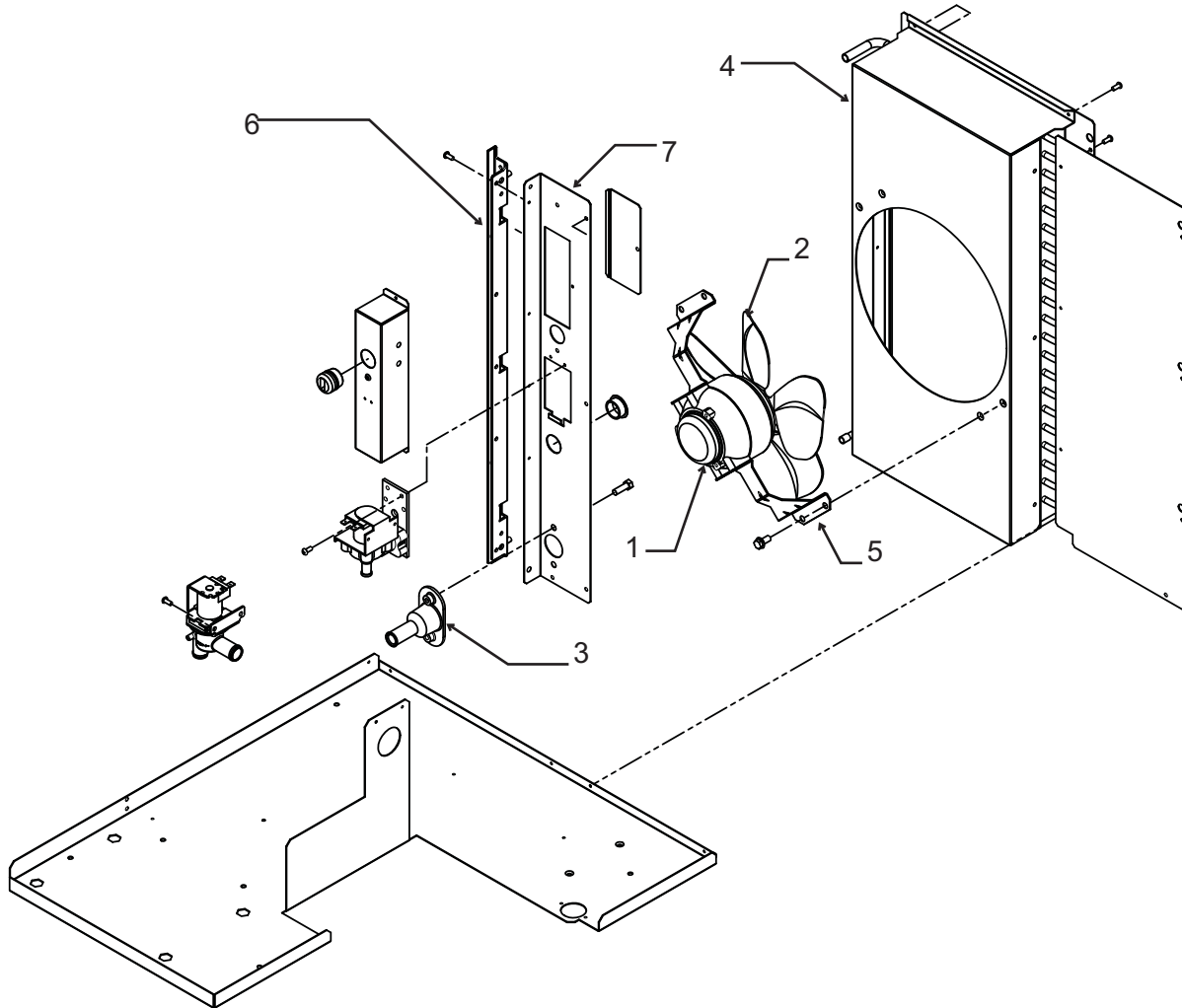
## Air Cooled Refrigeration System



Item Number	Part Number	Description	Item Number	Part Number	Description
1	18-8890-01	Condenser, AC, C0330	5	11-0493-02	Hot gas valve, 115 volt
	18-8920-01	Condenser, AC, C0530		12-2719-21	115 volt coil
	18-8896-01	Condenser, AC, C0630		11-0493-01	Hot gas valve, 230 volt
	18-8895-01	Condenser, AC, C0830, C1030		12-2719-22	230 volt coil
2	16-1117-21	TXV, C0530		12-2733-30	HGV rebuild kit
	16-1117-22	TXV, C0630	6	16-1063-01	Strainer
	16-1117-23	TXV, C0330	7	16-0832-20	Access valve
	02-3792-01	Insulation for Alco TXV		16-0832-03	Port cap
	16-1142-01	TXV, C0830, C1030		16-0832-02	Stem cap
3	02-4045-01	insulation Danfoss TXV	8	02-3319-01	Dryer C0330 thru C0630
	11-0566-21	Fan cycle pressure sw.		02-3319-02	Dryer, C0830 & C1030
4	11-0501-05	Hi pressure cut out, C0330, C0530 and C0630	9	see page 12	Compressors
			10	see page 12	Compressor mounting hdw
			11	11-0515-21	Temp sensor set
			Use of alternate access valve began 4-08		
			12	16-1137-01	Valve body
			12a	16-1139-01	Core
			12b	16-1140-01	Cap

# C0330, C0530, C0630, C0830, C1030 Service Parts

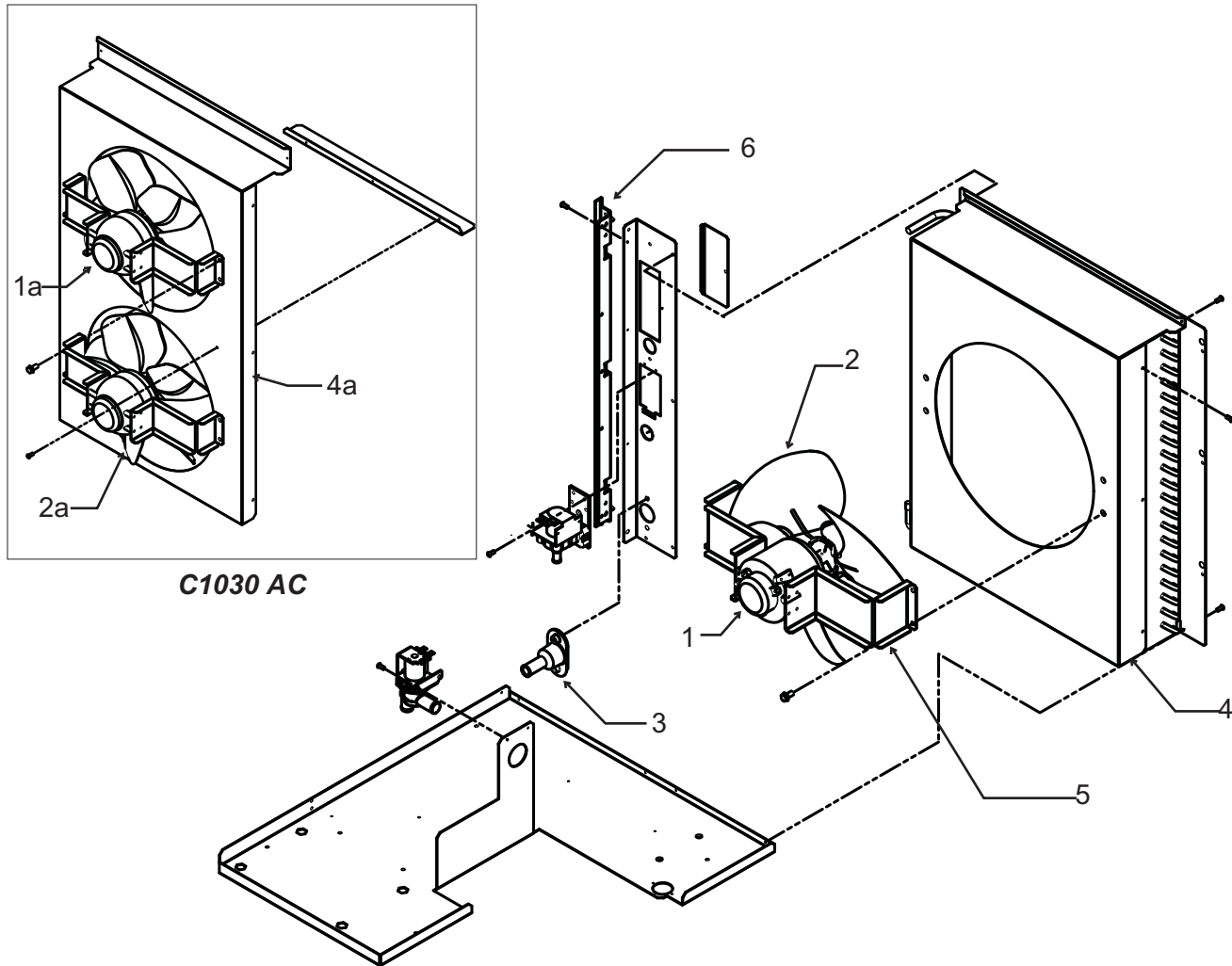
## Air Cooled Mechanical & Electrical - C0330



Item Number	Part Number	Description
1	12-1681-23	Fan motor, C0330, 115 volt
	12-1681-04	Fan motor, C0330, 230 volt
2	18-8836-01	Fan blade, C0330
3	02-3692-21	Drain adapter - also for WC and RC
4	A38841-001	Fan shroud, C0330
5	A38480-001	Fan motor bracket, C0330
6	02-4067-02	Side panel support, C0330, C0530, C0630
7	A38791-001	Back panel - AC

# C0330, C0530, C0630, C0830, C1030 Service Parts

## Air Cooled Mechanical & Electrical - C0530, C0630, C0830, C1030

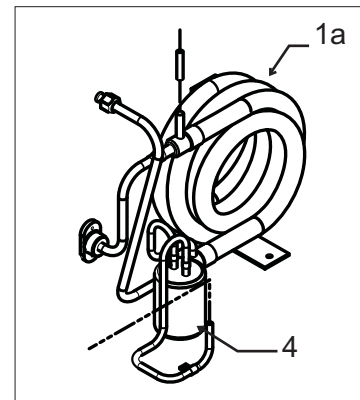
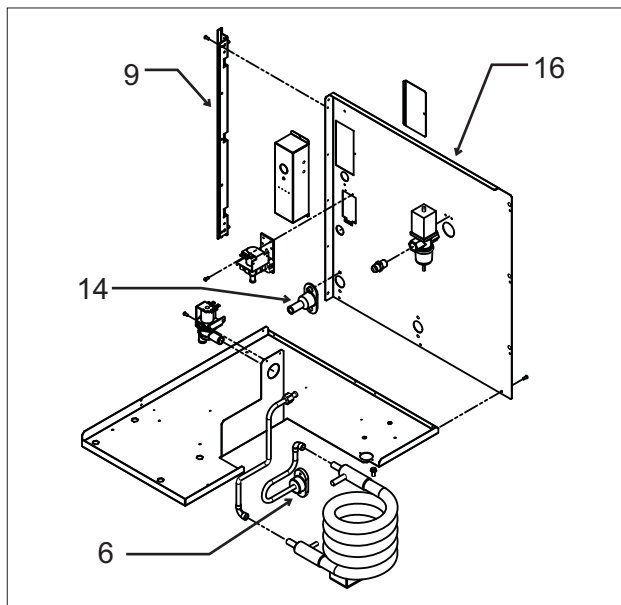


Item Number	Part Number	Description	Part Number	Description
			5a	A38555-001 Fan motor bracket, C1030
			6	02-4067-02 Side panel support, C0330, C0530, C0630
				02-4067-04 Side panel support, C0830, C1030
1	18-8926-01	Fan motor, C0530 115 v		
	18-8927-01	Fan motor, C0530 230 volt, C0630, C0830		
1a	18-8899-01	Fan motor, C1030		
2	18-8882-01	Fan blade, C0530 - C0830		
2a	18-8900-01	Fan blade, C1030		
3	02-3692-21	Drain adapter - also for WC and RC		
4	A38623-001	Fan shroud - C0530, C0630, C0830		
4a	A38624-001	Fan shroud - C1030		
5	A38554-001	Fan motor bracket, C0530, C0630, C1030		

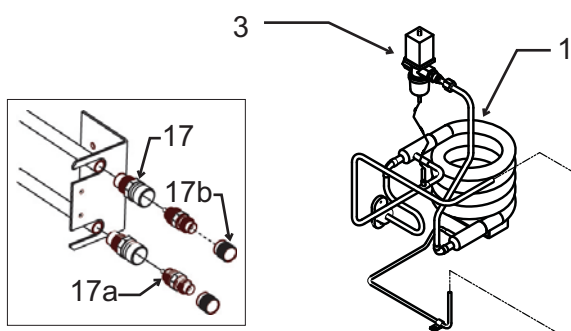


# C0330, C0530, C0630, C0830, C1030 Service Parts

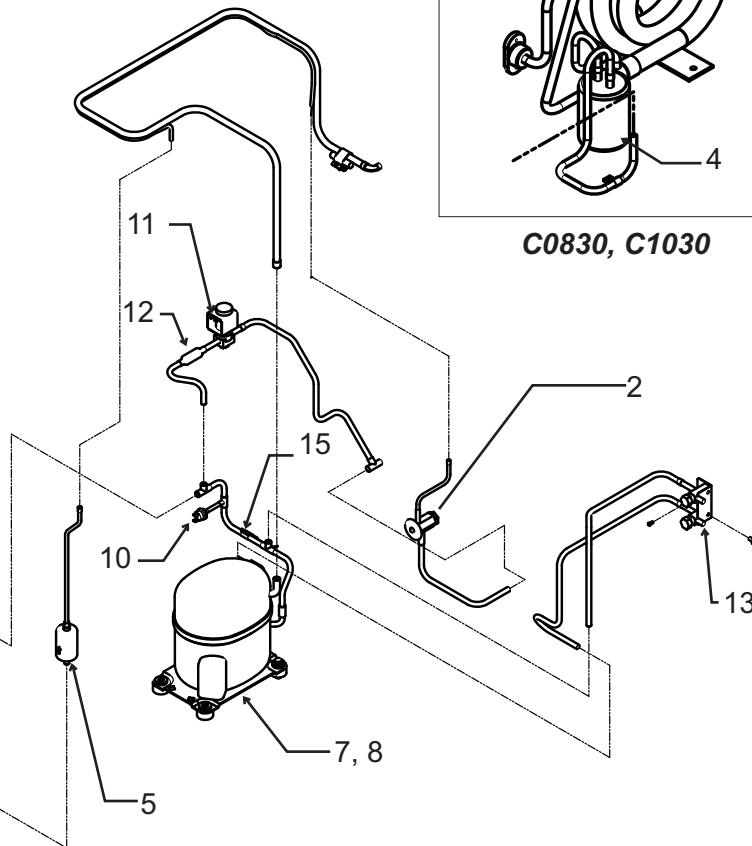
## Water Cooled Refrigeration System



C0830, C1030



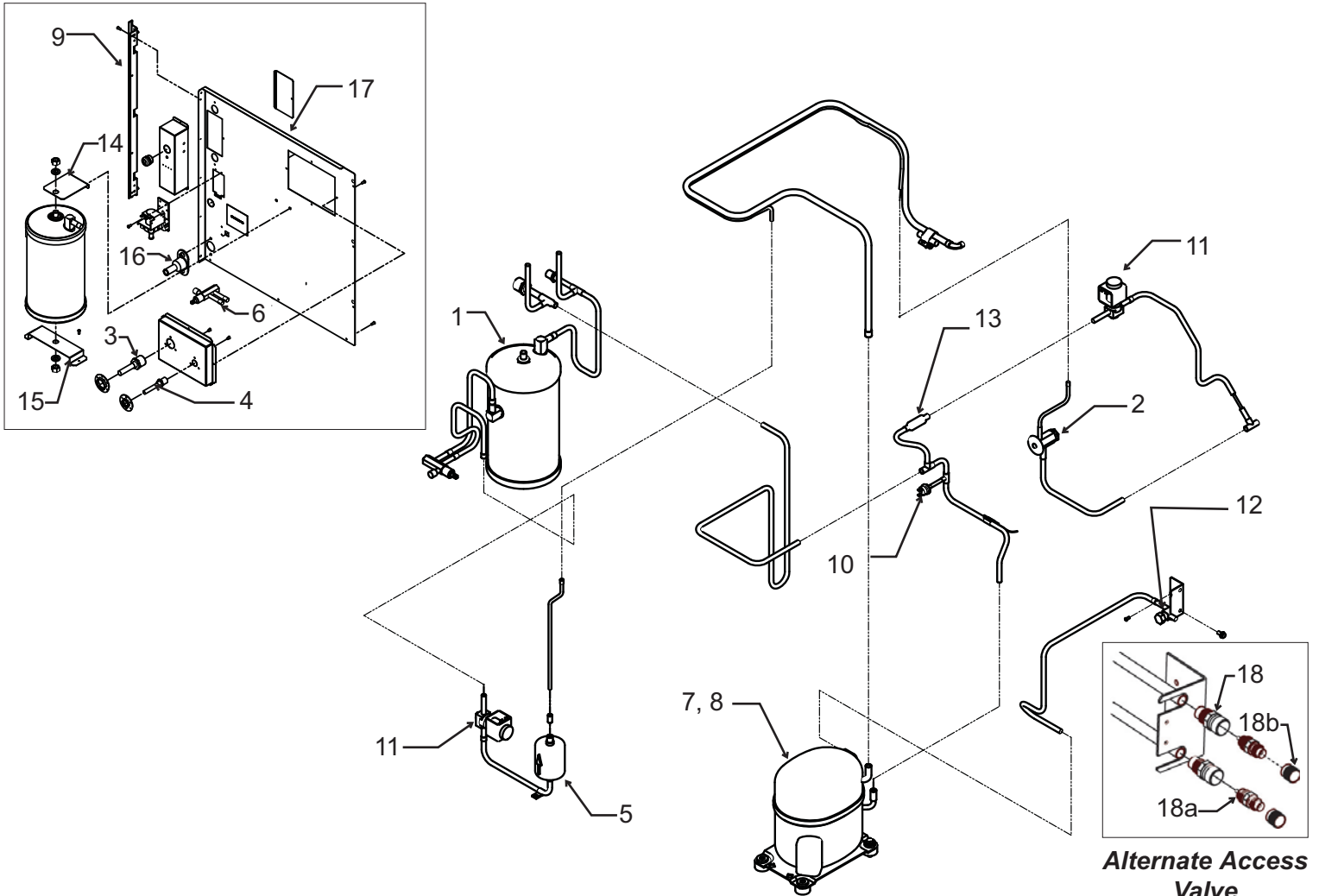
Alternate Access Valve



Item Number	Part Number	Description	Item Number	Part Number	Description
			9	02-4067-01	Side panel support, C0330, C0530, C0630
				02-4067-04	Side panel support, C0830, C1030
1	18-8871-21	Condenser, WC, C0330, C0530, C0630, C0830	10	11-0501-21	High pressure cut out
1a	18-8893-21	Condenser, WC, C1030	11	11-0493-02	Hot gas valve, 115 volt
2	16-1117-21	TXV, C0530		11-0493-01	Hot gas valve, 230 volt
	16-1117-22	TXV, C0630		12-2719-22	230 volt coil
	16-1117-23	TXV, C0330		12-2733-30	HGV rebuild kit
	02-3792-01	Insulation for Alco TXV	12	16-1063-01	Strainer
	16-1142-01	TXV, C0830, C1030	13	16-0832-20	Access valve
	02-4045-01	insulation Danfoss TXV		16-0832-03	Port cap
3	11-0478-01	Water regulating valve		16-0832-02	Stem cap
4	16-0874-01	Receiver, C0830, C1030	14	02-3692-21	Drain adapter
5	02-3319-01	Dryer, C0330 thru C0630	15	11-0515-21	Temp sensor set
	02-3319-02	Dryer, C0830 - C1030	16	A38634-001	Back panel, WC
6	A31828-002	Condenser drain	17	16-1137-01	Valve body
7	see page 12	Compressors	17a	16-1139-01	Core
8	see page 12	Compressor mounting hdw	17b	16-1140-01	Cap

# C0330, C0530, C0630, C0830, C1030 Service Parts

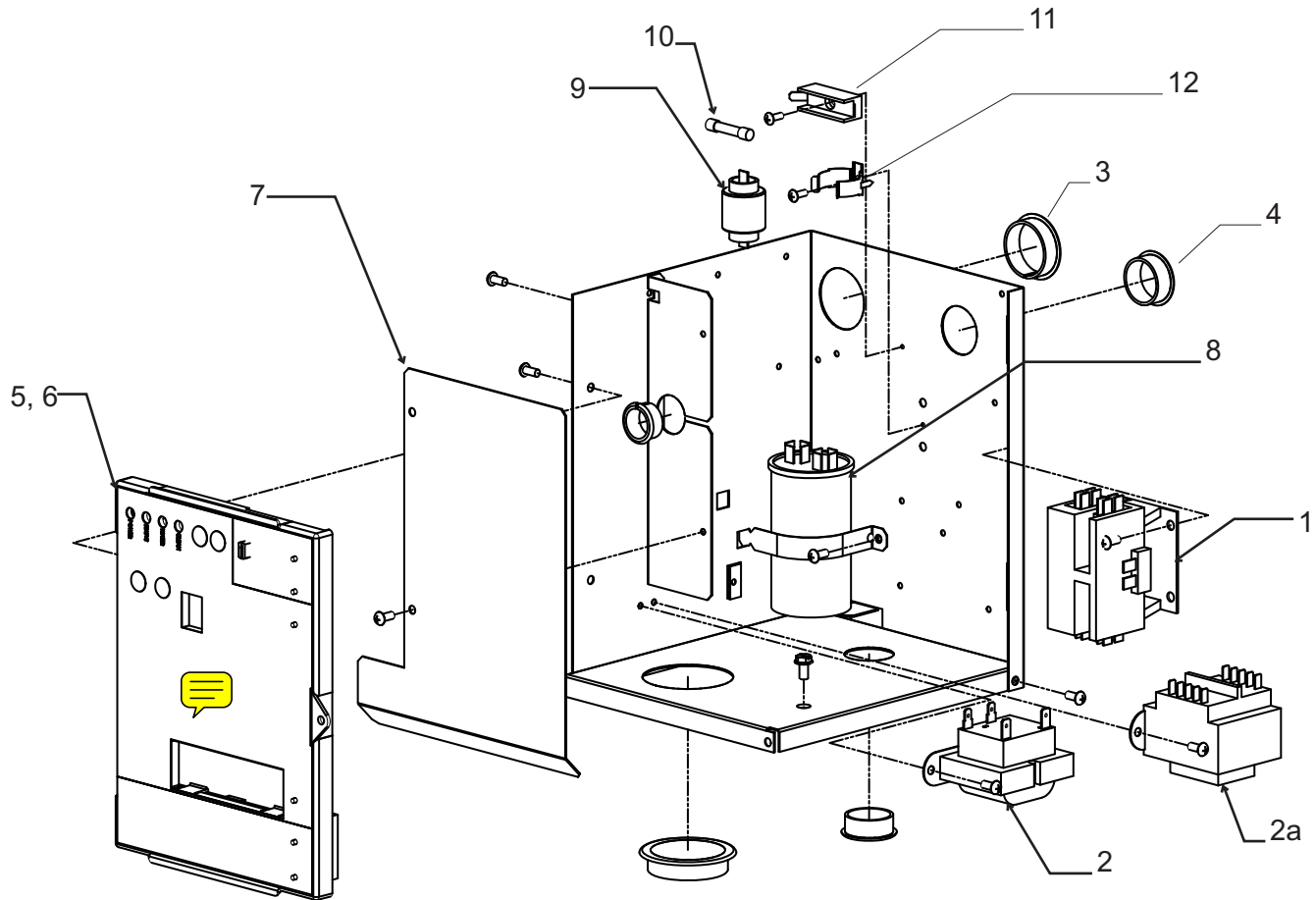
## Remote Refrigeration System



Item Number	Part Number	Description
1	16-1121-01 16-1037-01	Receiver, C0530, C0630 Receiver, C0830, C1030
2	16-1117-21 16-1117-22 16-1117-23 02-3792-01 16-1142-01 02-4045-01	TXV, C0530 TXV, C0630 TXV, C0330 Insulation for Alco TXV TXV, C0830, C1030 insulation Danfoss TXV
3	16-0850-01	Discharge quick connect
4	16-0850-03	Liquid quick connect
5	02-3319-02	Drier
6	16-1030-01	Liquid line access valve
7	see page 12	Compressors
8	see page 12	Compressor mounting hdw
8a	see page 12	Crankcase heater
9	02-4067-01 02-4067-04	Side panel support, C0330, C0530, C0630 Side panel support, C0830, C1030
10	11-0501-22	High pressure cut out
11	11-0493-02 11-0493-01	Liquid line valve or HGV, 115 volt Liquid line valve or HGV, 230 volt
12	16-0832-20 16-0832-03 16-0832-02	Access valve Port cap Stem cap
13	16-1063-01	Strainer
14	A37211-001	Top receiver bracket
15	A37212-001	Bottom receiver bracket
16	02-3692-21	Drain adapter
17	A38664-001	Back panel, Remote
Use of alternate access valve began 4-08		
18	16-1137-01	Valve body
18a	16-1139-01	Core
18b	16-1140-01	Cap

# C0330, C0530, C0630, C0830, C1030 Service Parts

## Electrical & Control Box



Item Number	Part Number	Description
1	12-2469-03	Contactors, 115 volt
	12-2469-02	Contactors, 230, single ph
	12-2533-01	Contactors, three phase
2	12-2924-01	Transformer, 115 volt
	12-2924-02	Transformer, 230 volt
2a	12-2369-01	Transformer, 50 Hz
3	12-1213-11	Snap bushing
4	12-1213-15	Snap bushing
5	11-0550-24	Service controller, fits all Prodigy cubers
6	02-4076-01	Control box door
	02-4189-01	Overlay label
7	A39216-001	Barrier
8		see next page Run capacitor
9		see next page PTCR -
10	12-2686-01	Fuse, 50 Hz only
11	12-2687-01	Fuse holder
12	18-8835-02	Bracket
<b>Wiring Harnesses (not illustrated)</b>		
13	12-2931-01	Power harness, A & W
	12-2931-02	Power harness, Remote
Power harness connects to J1 on controller		
14	12-2932-01	Hi voltage harness, A & W
	12-2933-01	Hi voltage harness, Rem
	12-2971-01	Hi voltage, 50 Hz A & W
Hi voltage harness has the 8 pin connector		
15	12-2928-01	WLS harness

# C0330, C0530, C0630, C0830, C1030 Service Parts

## Compressors

Model	Electrical	Compressor	Overload	Run Capacitor	PTCR
C0330-1	115/60/1	18-8897-21	18-8897-23	18-1902-53	18-8835-01
C0330-6	230/50	18-8897-26	18-8897-28	18-1902-57	18-8835-01
C0330-32	208-230/60/1	18-8897-22	18-8897-27	18-1902-57	18-8835-01
C0530-1	115/60/1	18-8921-21	18-8921-23	18-1902-45	18-8835-01
C0530-6	230/50	18-8921-26	18-8774-27	18-1902-52	18-8835-01
C0530-32	208-230/60/1	18-8921-22	18-8774-28	18-1902-52	18-8835-01
C0630-32	208-230/60/1	18-8922-22	18-8922-27	18-1902-56	18-8835-01
C0630-6	230/50	18-8922-26	internal	18-1902-56	18-8835-01
C0830-32	208-230/60/1	18-8813-23	internal	18-1902-53	18-8835-01
C0830-6	230/50	18-8813-27	internal	18-1902-53	18-8835-01
C0830-3	208-230/60/3	18-8813-25	internal	-	-
C1030-32	208-230/60/1	18-8726-23	internal	18-1902-53	18-8835-01
C1030-6	230/50	18-8726-27	internal	18-1902-53	18-8835-01
C1030-3	208-230/60/3	18-8726-25	internal	-	-

Note: Service compressors include run capacitor, overload and PTCR

## Compressor Mounting Hardware

Model	Bolt	Washer	Grommet	Sleeve
C0330	03-1405-20	03-1407-07	18-4700-28	18-0108-41
C0530	03-1405-20	03-1407-07	18-4700-28	18-0108-41
C0630	03-1405-20	03-1407-07	18-4700-28	18-0108-41
C0830	03-1405-20	03-1407-07	18-2300-27	18-2300-26
C1030	03-1405-20	03-1407-07	18-2300-27	18-2300-26

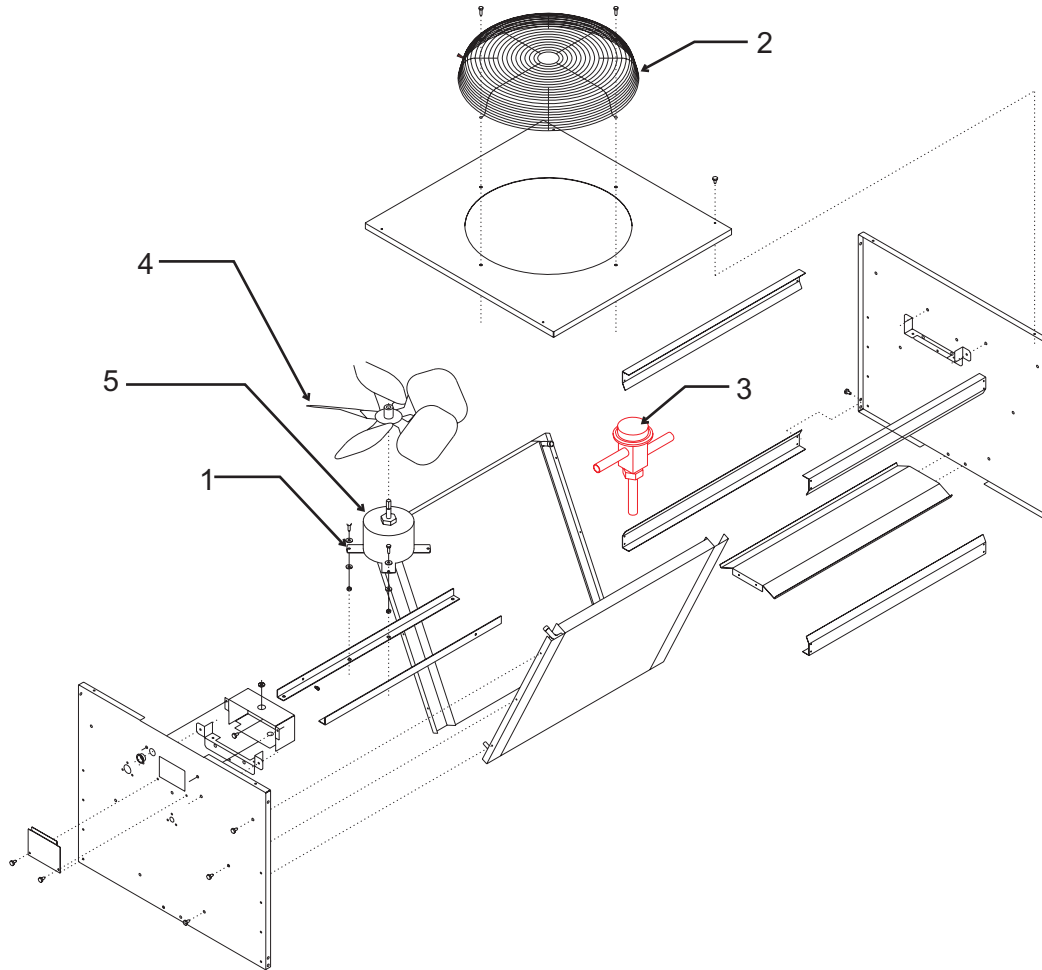
## Crankcase Heaters

Model	Crankcase heater
C0530R	12-2942-01
C0630R	12-2942-02
C0830R	18-2308-01
C1030R	18-2308-01

\* Included with replacement compressor

# C0330, C0530, C0630, C0830, C1030 Service Parts

## Remote Condenser, ERC111, ERC211, and ERC311



Item Number	Part Number	Description
1	03-1405-08	Screw
2	02-3575-01	Fan guard
3	16-1044-01	Headmaster
4	18-8816-01	Fan blade
5	12-2651-01	Fan motor - 230 volt (ERC311)
	12-2651-02	Fan motor - 115 volt (ERC111 and ERC211)

### Not Shown:

A37169-001	Leg
A37170-001	Leg brace
03-1645-01	Screw for legs
16-0850-01	Quick connect, discharge
16-0850-03	Quick connect, liquid

## Free Manuals Download Website

<http://myh66.com>

<http://usermanuals.us>

<http://www.somanuals.com>

<http://www.4manuals.cc>

<http://www.manual-lib.com>

<http://www.404manual.com>

<http://www.luxmanual.com>

<http://aubethermostatmanual.com>

Golf course search by state

<http://golfingnear.com>

Email search by domain

<http://emailbydomain.com>

Auto manuals search

<http://auto.somanuals.com>

TV manuals search

<http://tv.somanuals.com>