

# SCCG50 & SCCP50 Service Parts

This is the illustrated parts list for the SCCG50 and the SCCP50 Residential Ice Machines

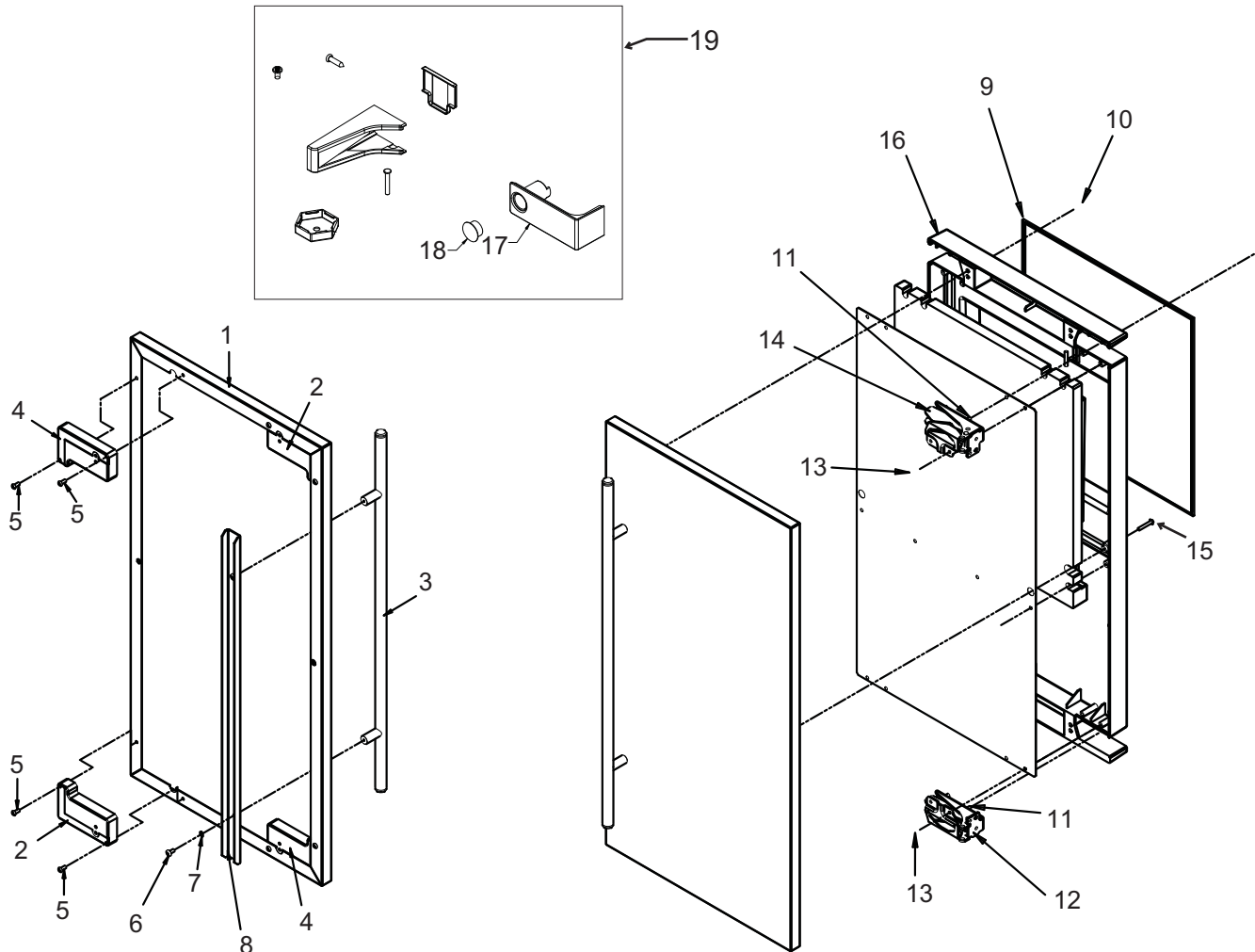
When ordering a service part, always refer to the complete model number of the equipment being repaired to be sure of obtaining the correct part. Many times there are slight differences between models, and having the complete model number will aide in selecting the correct part.

## Table of Contents

Door . . . . .	Page 2
Cabinet . . . . .	Page 3
Reservoir and Spray Pump . . . . .	Page 4
Refrigeration . . . . .	Page 5
Under Bin Parts . . . . .	Page 6
Control System . . . . .	Page 7
Schematic Diagram . . . . .	Page 8
Wiring Diagram . . . . .	Page 9

# SCCG50 & SCCP50 Service Parts

## Door

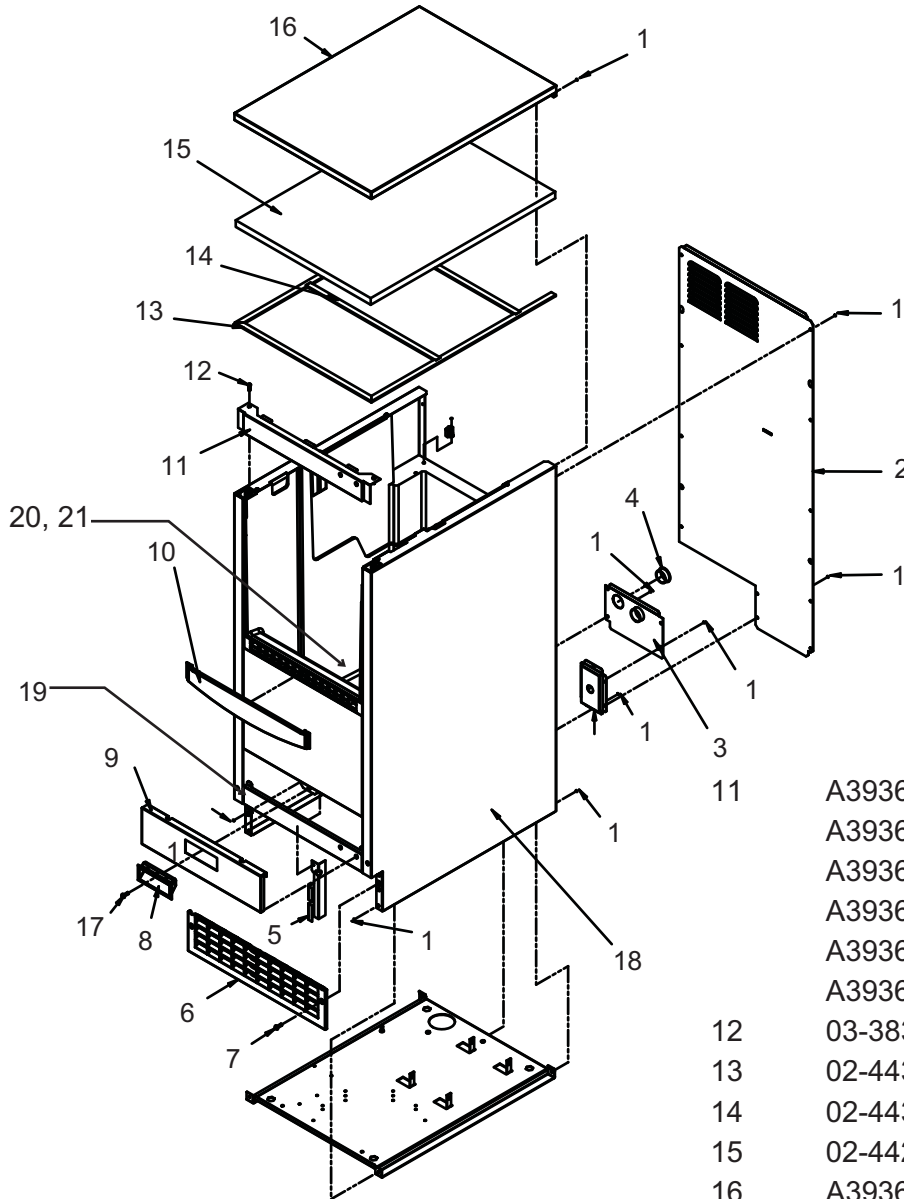


Items 17 and 18 included with item 19, package shipped loose in bin.

Item Number	Part Number	Description	Item Number	Part Number	Description
1		Door panel kits. Kits include items 1 thru 8.	7	03-1410-07	Lockwasher
	KDFW	White panel, white handle	8	A39390-001	Support bracket
	KDFWS	White panel, SS handle	9	13-0949-01	Door gasket
	KDFB	Black panel, black handle	10	03-1404-40	Screw
	kDFBS	Black panel, SS handle	11	03-3818-01	Screw - hinge to cabinet
	KDFS	SS panel, SS handle	12	02-3866-04	Hinge - top right/bottom left
2	02-4433-01	Corner block, RH	13	03-1404-24	Screw - hinge to door
3	02-4430-42	Handle, white	14	02-3866-03	Hinge
	02-4430-52	Handle, black	15	03-1403-67	Screw
	02-4430-01	Handle, SS	16	A39513-001	Door assembly, does not include door panel or hinges
4	02-4433-02	Corner block, LH	17	02-4429-01	Hinge opening cover
5	03-1531-01	Screw	18	02-1875-07	Hole plug for item 17
6	03-3811-01	Screw	19	02-4474-01	Hinge package

# SCCG50 & SCCP50 Service Parts

## Cabinet



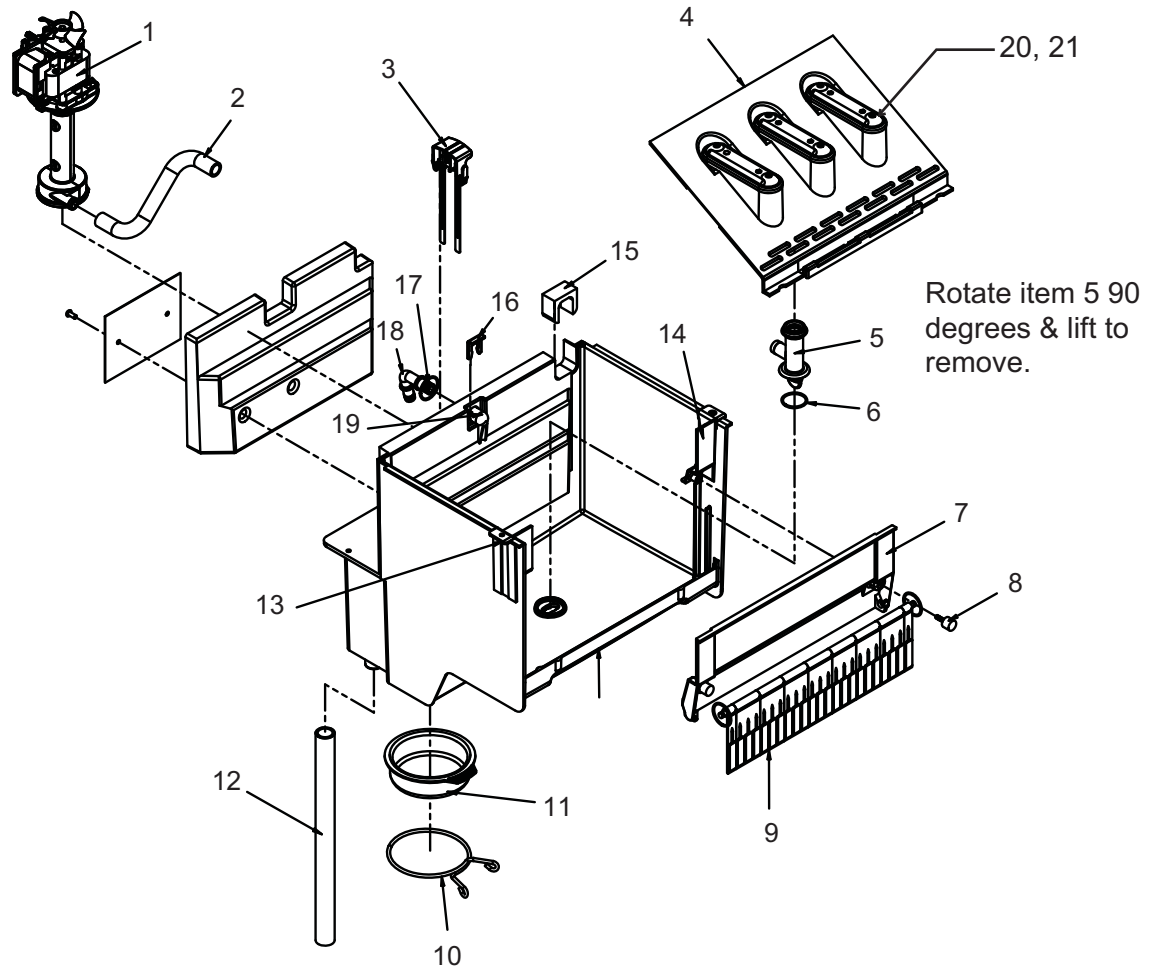
Item Number	Part Number	Description
1	03-1531-01	Screw
2	A39363-001	Back panel
3	A39389-001	Utility routing bracket
4	12-1213-11	Snap bushing
5	A39392-001	Srv panel mntg bracket
6	02-4390-01	Kickplate
7	03-1403-86	Screw
8	02-4441-01	Panel handle
9	A39381-001	Service panel, white
	A39381-002	Service panel, black
	A39381-003	Service panel, SS
10	02-4392-01	Bin edging
	A39364-001	Top hinge brkt, RH white
	A39364-002	Top hinge brkt, RH black
	A39364-003	Top hinge brkt, RH SS
	A39364-004	Top hinge brkt, LH white
	A39364-005	Top hinge brkt, LH white
	A39364-006	Top hinge brkt, LH SS
	03-3836-03	Screw
	02-4438-01	Gasket
	02-4438-02	Gasket strip
	02-4426-01	Insulation pad
	A39362-001	Top panel, white
	A39362-002	Top panel, black
	A39362-003	Top panel, SS
	03-1403-86	Screw
	A39378-001	White cabinet & bin
	A39378-002	Black cabinet & bin
	A39378-003	SS cabinet & bin
	A39385-001	Btm hinge brkt, right white
	A39385-002	Btm hinge brkt, right black
	A39385-003	Btm hinge brkt, right SS
	A39385-004	Btm hinge brkt, left white
	A39385-005	Btm hinge brkt, left black
	A39385-006	Btm hinge brkt, left SS
20	A39379-001	Bin stat bracket/scoop hldr
21	02-4391-03	Scoop

October 2008

Page 3

# SCCG50 & SCCP50 Service Parts

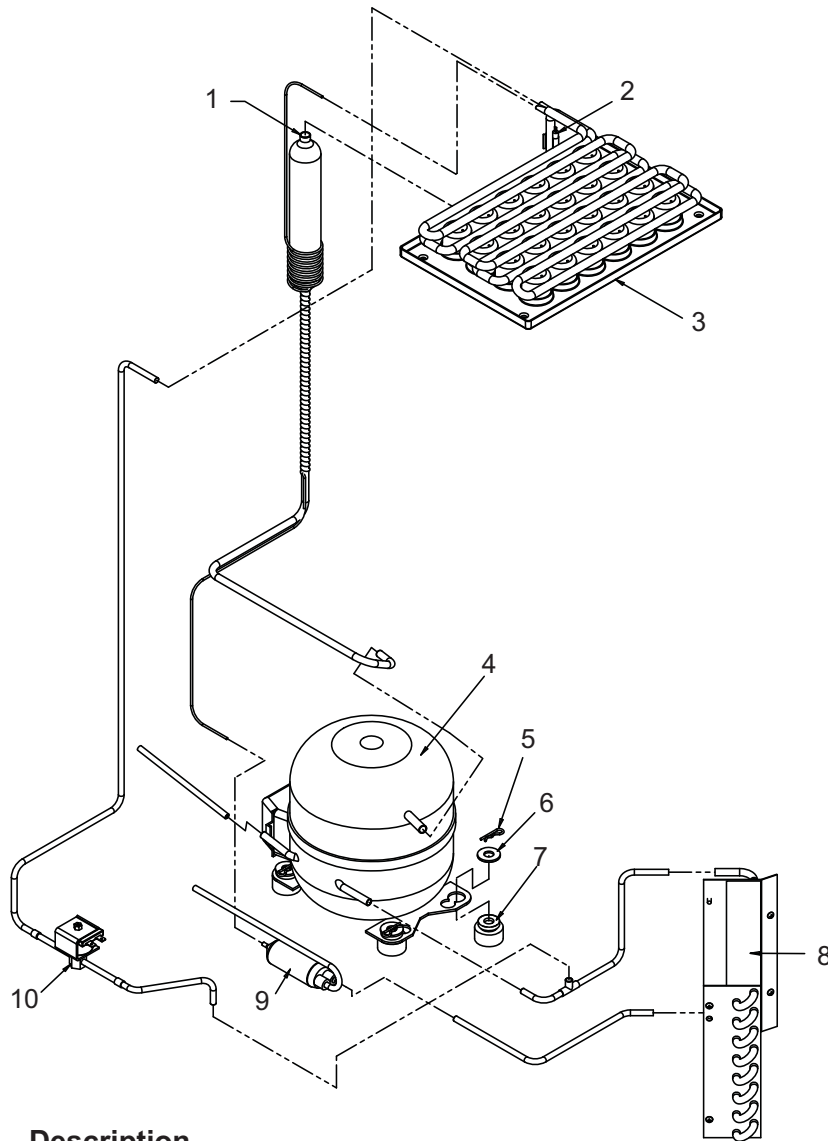
## Reservoir and Spray Pump



Item Number	Part Number	Description
1	12-2986-21	Water pump
2	02-4379-01	Pump discharge hose
3	A39030-023	Water probe
4	02-4371-02	Spray platform
5	02-4368-01	Water Tee
6	13-0617-11	O-ring
7	02-4365-01	Front bracket
8	03-3892-01	Thumb screw
9	A39357-001	Curtain
10	02-4383-01	Clamp
11	02-4369-01	Drain cap
12	02-4428-01	Drain tube
13	02-4375-01	Evap bracket, left
14	02-4375-02	Evap bracket, right
15	02-4475-01	Grommet
16	02-4381-03	Clip
17	13-0617-04	O-ring
18	02-4381-01	Barbed fitting
19	02-4381-02	Spout
20	02-4373-01	O-ring
21	02-4370-21	Spray nozzle, kit. Set of 3 nozzles, o-rings, screws and nuts.

# SCCG50 & SCCP50 Service Parts

## Refrigeration



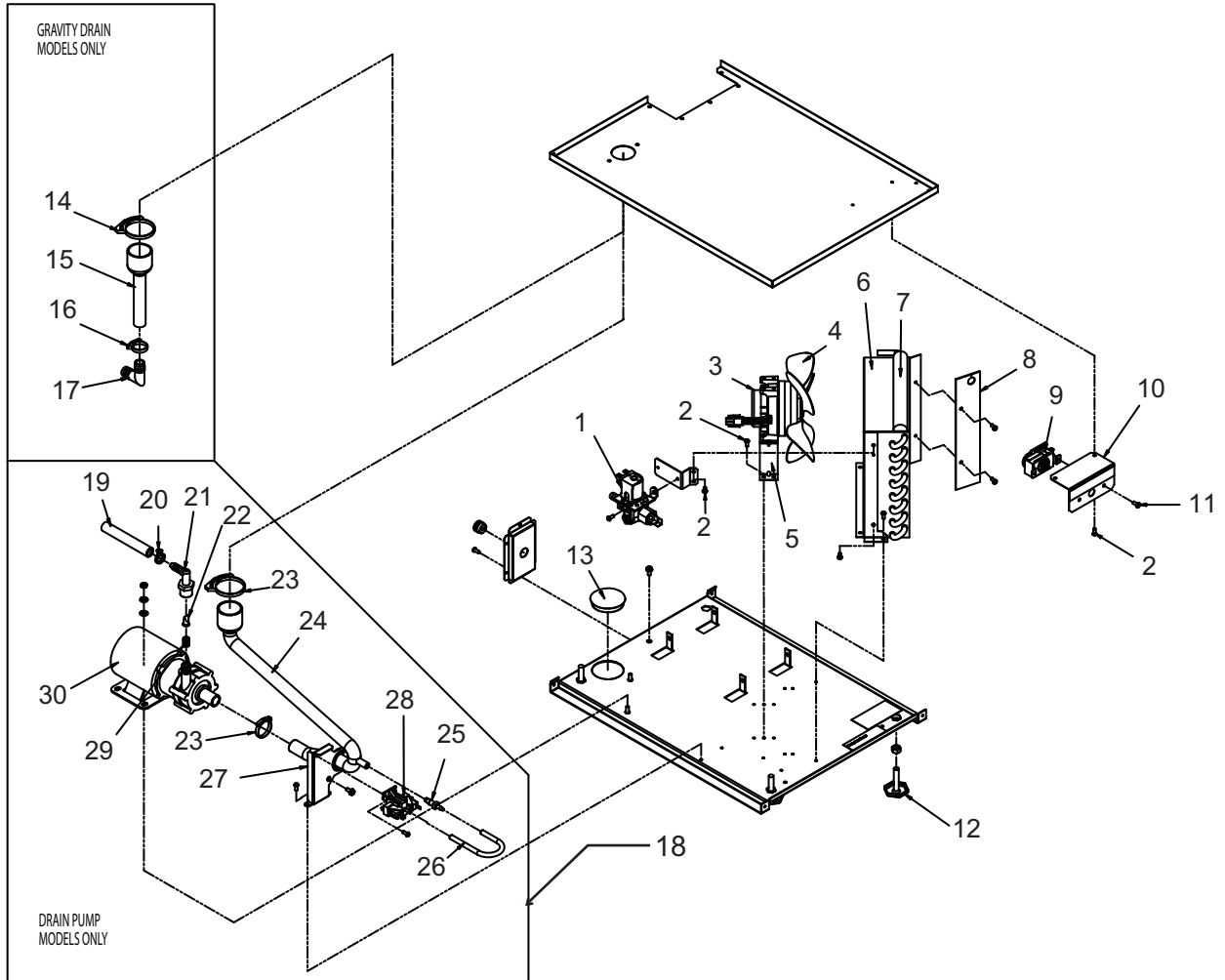
Item Number	Part Number	Description
1	A39384-001	Suction line accumulator assy
2	11-0577-01	Thermistor
3	02-4376-01	Evaporator
4	18-8939-21	Compressor
Compressor includes overload, relay and drier		
4a	18-8939-51	Overload
4b	18-8939-52	Relay
5	03-3821-01	Clip
6	03-1407-08	Washer
7	18-4700-28	Grommet
8	18-8940-01	Condenser
9	02-4416-01	Drier
10	11-0562-21	Hot gas valve
10a	11-0562-22	HGV coil

June 2008

Page 5

# SCCG50 & SCCP50 Service Parts

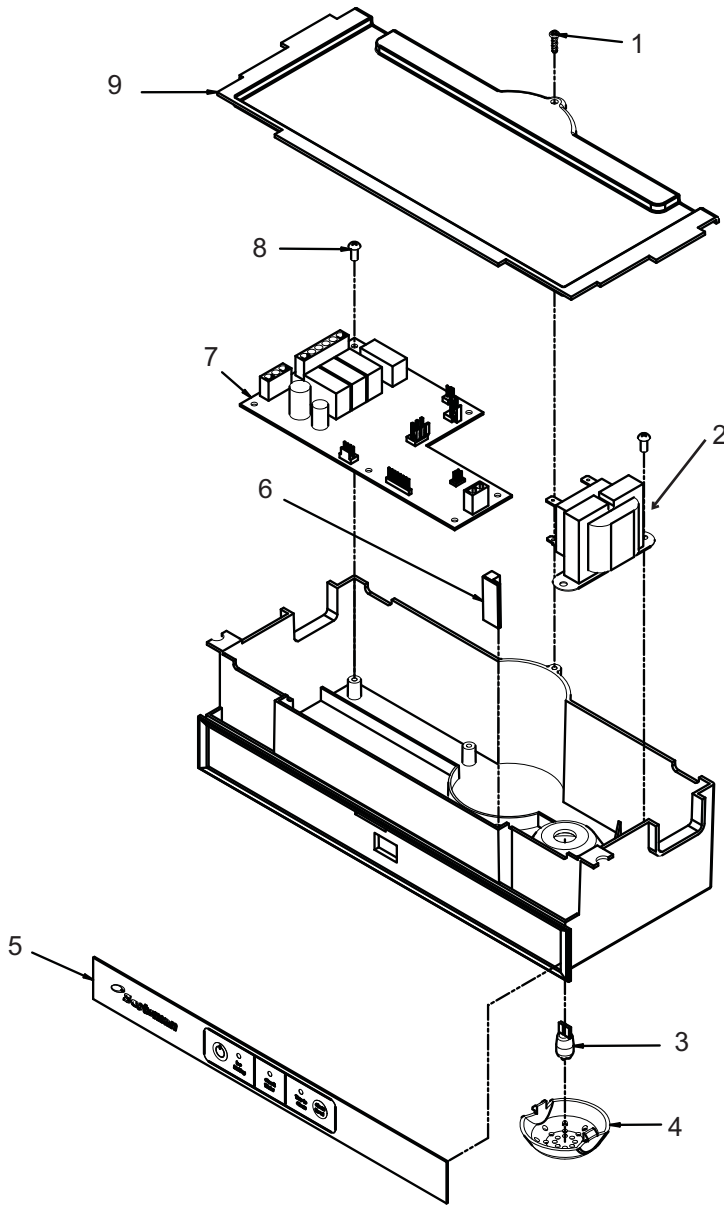
## Under Bin Parts



Item Number	Part Number	Description	Part Number	Description
1	12-2990-01	Inlet water sol valve	14	02-2814-13 Hose clamp
2	03-1531-01	Screw	15	02-4412-01 Drain hose
3	12-2396-02	Fan motor	16	02-2814-08 Hose clamp
4	18-8941-01	Fan blade	17	16-0671-01 Elbow
5	A39424-001	Fan motor bracket	18	A39462-021 Pump kit
6	A39359-001	Fan shroud	19	A37334-001 Discharge hose
7	13-0909-01	Gasket, order 1 & cut to fit	20	02-0534-02 Hose clamp
8	02-4450-01	Air baffle	21	02-3522-01 Elbow
9	11-0578-21	Thermostat	22	02-3374-01 Check valve
10	A39379-001	Thermostat bracket	23	02-2814-13 Hose clamp
11	03-1403-16	Screw	24	02-4413-01 Drain tube
12	03-1608-01	Leg leveler	25	02-3406-01 Barbed connector
12a	02-4415-01	Leg cap	26	05-0591-01 Switch hose
13	02-1875-18	Hole plug	27	A39370-001 Switch bracket
			28	11-0504-01 Pressure switch
			29	03-3904-01 Spring
			30	12-2503-21 Pump & motor only

# SCCG50 & SCCP50 Service Parts

## Control System



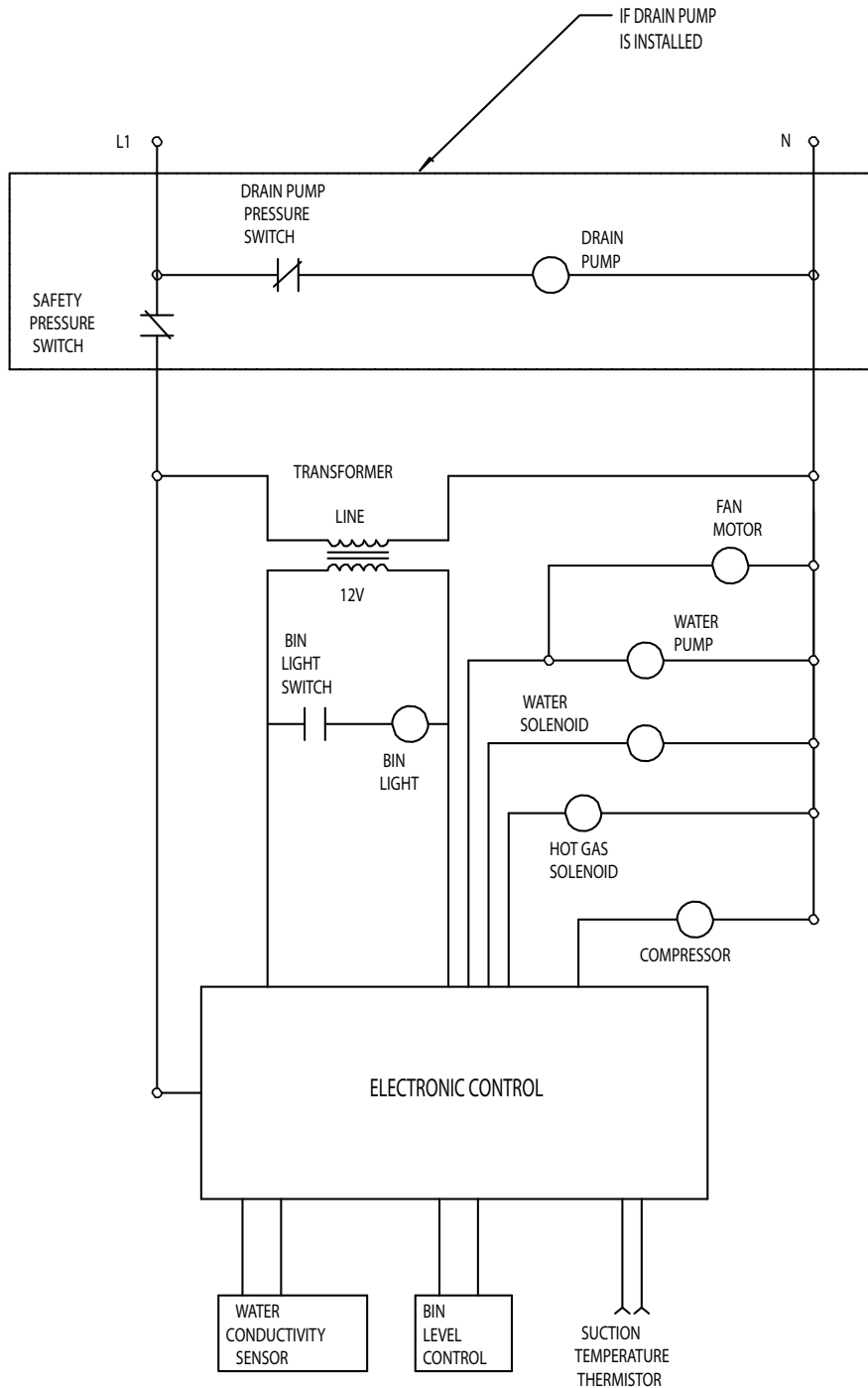
Item Number	Part Number	Description
1	03-3836-03	Screw
2	12-2924-01	Transformer
3	12-2980-01	Bulb
4	02-4380-01	Light cover
5	11-0574-01	Switch panel
6	12-2980-03	Bin light sensor
7	11-0573-22	Controller
8	03-1531-01	Screw
9	02-4386-01	Cover

### Not Shown:

NS1	12-2980-02	Bin light harness & socket
NS2	12-3003-01	Bin stat harness
NS3	12-3000-02	Hi voltage harness, lower
NS4	12-3000-01	Hi voltage harness, upper
NS5	12-2992-01	Water sensor harness

# SCCG50 & SCCP50 Service Parts

## Schematic Diagram



SWITCHES ON THIS UNIT  
SHOWN IN FREEZE CYCLE  
WITH DRAIN PUMP IN OPERATION  
AND BIN DOOR CLOSED

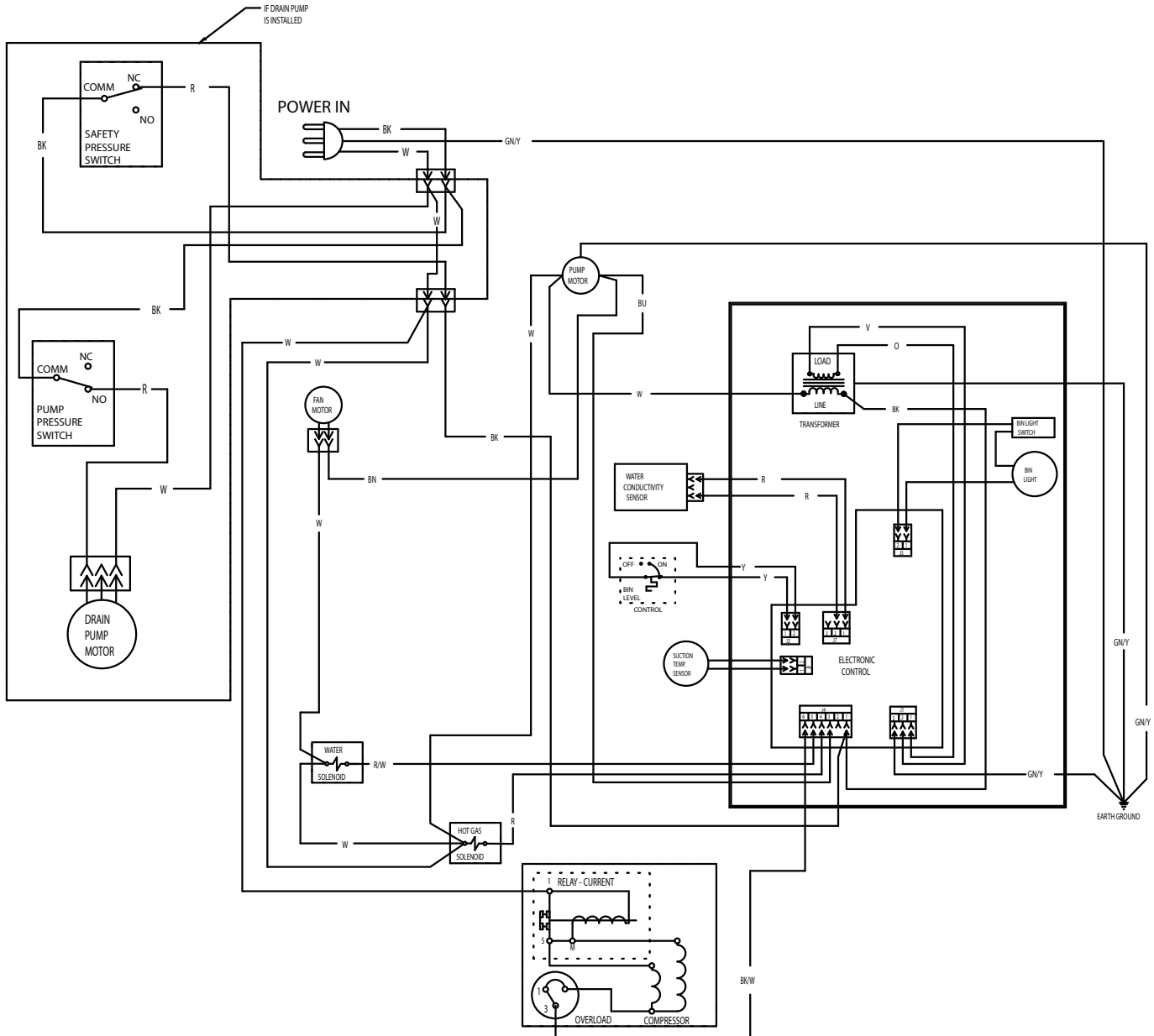
June 2008

Page 8



# SCCG50 & SCCP50 Service Parts

## Wiring Diagram



## Free Manuals Download Website

<http://myh66.com>

<http://usermanuals.us>

<http://www.somanuals.com>

<http://www.4manuals.cc>

<http://www.manual-lib.com>

<http://www.404manual.com>

<http://www.luxmanual.com>

<http://aubethermostatmanual.com>

Golf course search by state

<http://golfingnear.com>

Email search by domain

<http://emailbydomain.com>

Auto manuals search

<http://auto.somanuals.com>

TV manuals search

<http://tv.somanuals.com>