

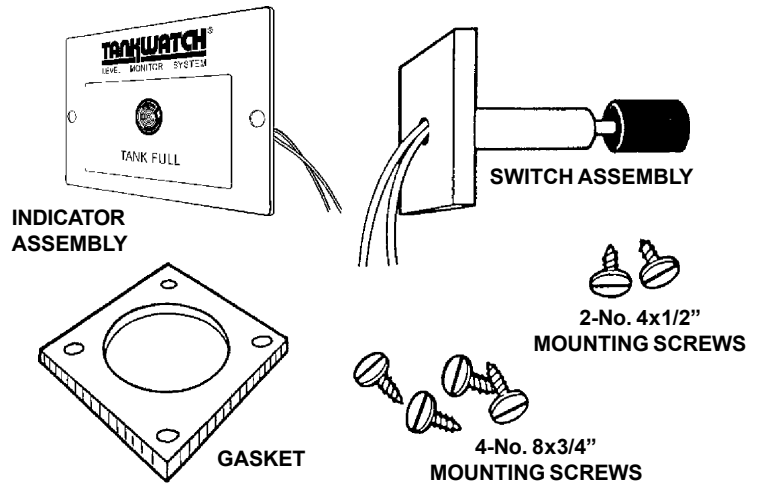
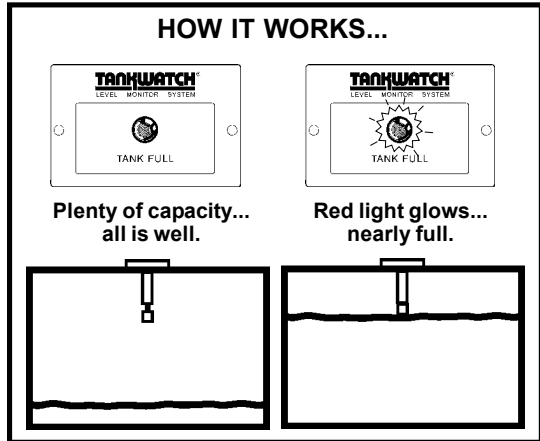
TANKWATCH®

LEVEL MONITOR SYSTEM

The TankWatch Level Monitor System is designed to operate on 12 VDC in a sewage holding tank, and to signal a nearly full tank condition. This instrument will give years of reliable service if installed properly.

DO-IT-YOURSELF INSTALLATION INSTRUCTIONS

Your TankWatch Level Monitor System contains these items:



CAUTION! DO NOT USE IN FUEL TANK!

1 Select a location as far as possible away from other tank fittings. Drill 1 1/4-in. (32mm) dia. hole (hole saw is best) in tank TOP.
NOTE FOR SAILBOATS: Locate switch on athwartships centerline of tank to assure accuracy when heeled.

2 Locate Switch Assembly into the 1 1/4-in. hole using care to stay on center. Mark four mounting holes. Remove Switch Assembly.

3 Drill mounting holes using 1/8-in. (3mm) dia. drill bit. DO NOT mount Switch Assembly at this time.

4 Select a location for your Indicator Assembly. Drill a 1-in. (25mm) dia. hole to accommodate the LED wires.

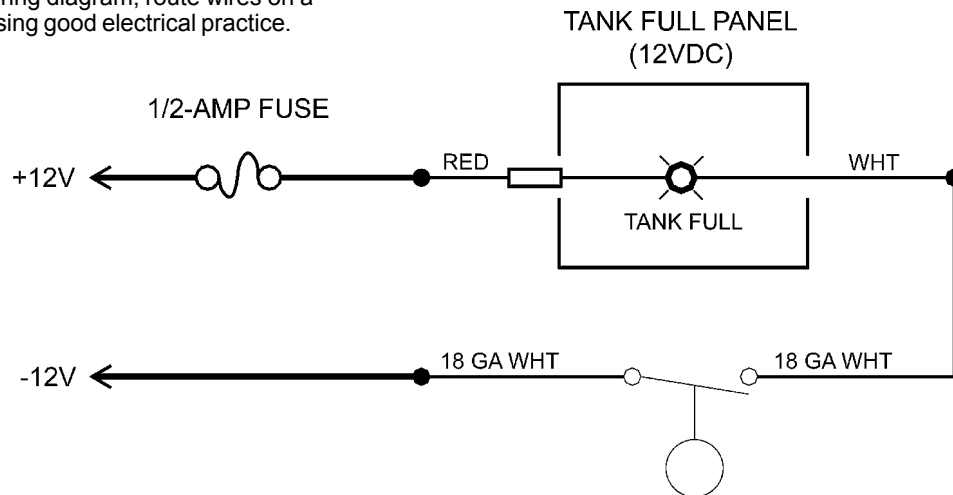
MOUNTING TEMPLATE FOR TANKWATCH PANEL

Drill 1-in. (25mm) hole

5

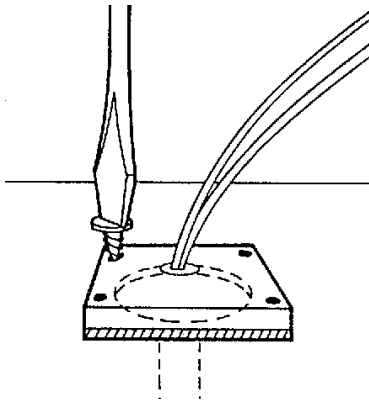
Following the wiring diagram, route wires on a 12VDC circuit using good electrical practice.

- A. Connect the red wire through a 1/2-amp fuse (not supplied), to the positive DC source.
- B. Connect the white wire from the red LED to one of the white wires on the Float Switch Assembly.
- C. Connect the remaining white wire from the Float Switch Assembly to the negative DC source.



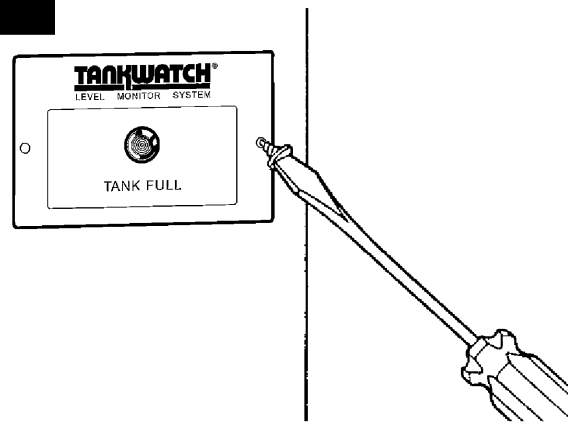
6

Place the Switch Assembly into the tank with the gasket in place. Drive four No. 8 x 3/4" mounting screws using care to tighten evenly. DO NOT OVER-TIGHTEN.



7

Mount the Indicator Assembly. Fasten with the two No.4 x 1/2" screws provided.



MODEL INFORMATION

Part Number	Description
313000312	TankWatch 1 Panel, Float Assembly

SPECIFICATIONS

Average Current Consumption: 0.016 amps



Dometic Corporation • Sanitation Systems

13128 State Rt. 226, P.O. Box 38
 Big Prairie, OH 44611-0038 USA
 330-496-3211
 1-800-321-9886 • Fax: 330-496-3097

© Registered; ™ Trademark of Dometic Corporation

© Dometic Corporation

Free Manuals Download Website

<http://myh66.com>

<http://usermanuals.us>

<http://www.somanuals.com>

<http://www.4manuals.cc>

<http://www.manual-lib.com>

<http://www.404manual.com>

<http://www.luxmanual.com>

<http://aubethermostatmanual.com>

Golf course search by state

<http://golfingnear.com>

Email search by domain

<http://emailbydomain.com>

Auto manuals search

<http://auto.somanuals.com>

TV manuals search

<http://tv.somanuals.com>