

A decorative graphic on the left side of the page, featuring a dashed circle, a solid blue circle, and several overlapping curved lines in blue and grey.

Product Manual

Momentum® 5400.3 SATA Removable Drive Cartridge

160 GB

100459868
Rev. D
August 2007

©2004-2007, Seagate Technology LLC All rights reserved.
Publication number: 100459868, Rev. D
August 2007

Seagate, Seagate Technology and the Wave logo are registered trademarks of Seagate Technology LLC in the United States and/or other countries. Momentus, Seagate-SeaBOARD, SeaFONE, SeaTDD, and SeaTools are either trademarks or registered trademarks of Seagate Technology LLC or one of its affiliated companies in the United States and/or other countries. All other trademarks or registered trademarks are the property of their respective owners.

One gigabyte, or GB, equals one billion bytes and one terabyte, or TB, equals one trillion bytes when referring to hard drive capacity. Accessible capacity may vary depending on operating environment and formatting. Quantitative usage examples for various applications are for illustrative purposes. Actual quantities will vary based on various factors, including file size, file format, features and application software. Seagate reserves the right to change, without notice, product offerings or specifications.

Contents

1.0	Introduction	1
1.1	About the Serial ATA interface	2
2.0	Removable Drive Cartridge specifications	3
2.1	Specification summary	3
2.2	Formatted capacity	5
2.2.1	LBA mode	5
2.3	Default logical geometry	5
2.4	Physical organization	5
2.5	Recording and interface technology	5
2.6	Physical characteristics	6
2.7	Seek time	6
2.8	Start/stop times	6
2.9	Power specifications	7
2.9.1	Power consumption	7
2.9.2	Conducted noise	8
2.9.3	Voltage tolerance	8
2.9.4	Power-management modes	9
2.10	Environmental specifications	10
2.10.1	Ambient temperature	10
2.10.2	Temperature gradient	10
2.10.3	Humidity	10
2.10.4	Altitude	10
2.11	Shock	11
2.11.1	Vibration	11
2.12	Acoustics	12
2.13	Electromagnetic immunity	12
2.14	Reliability	13
2.15	Safety certification	13
2.16	Environmental protection	13
2.16.1	European Union Restriction of Hazardous Substances (RoHS)	13
2.16.2	China Restriction of Hazardous Substances (RoHS) Directive	14
2.17	Corrosive environment	14
3.0	Using the drive	15
3.1	Handling precautions	15
3.2	Dimensions	16
3.3	Normal operation	16
3.4	Insertion capability	17
3.5	Write protect switch	17
4.0	Serial ATA (SATA) interface	19
4.1	Hot-Plug compatibility	19
4.2	Serial ATA device plug connector pin definitions	19
4.3	Supported ATA commands	21
4.3.1	Identify Device command	24
4.3.2	Set Features command	27
4.3.3	S.M.A.R.T. commands	28
5.0	Seagate Technology support services	29

List of Figures

Figure 1.	Momentus 5400.3 SATA Removable Drive Cartridge	1
Figure 2.	Typical +5V only startup and operation current profile	8
Figure 3.	Momentus 5400.3 SATA Removable Drive Cartridge dimensions	16
Figure 4.	Write protect switch	17

1.0 Introduction

This manual describes the functional, mechanical and interface specifications for the 160GB Seagate Momentus® 5400.3 SATA Removable Drive Cartridge (RDC).

These drives provide the following key features:

- Reliable--nonrecoverable read error rate of 1 in 10^{14} bits read.
- Rugged--can survive up to 1 M drop for all axes and each corner.
- Removable drive cartridges for convenience and portability.
- 5,400 RPM spindle speed.
- 8 Mbyte buffer.
- High instantaneous (burst) data-transfer rates (up to 150 Mbytes per second).
- Tunneling Magnetoresistive (TMR) recording heads.
- State-of-the-art cache and on-the-fly error-correction algorithms.
- Full-track multiple-sector transfer capability without local processor intervention.
- Quiet operation.
- SeaTools diagnostic software performs a drive self-test that eliminates unnecessary drive returns.
- The 3D Defense System™, which includes Drive Defense, Data Defense and Diagnostic Defense, offers the industry's most comprehensive protection for disc drives.
- Support for S.M.A.R.T. drive monitoring and reporting.
- Support for Read Multiple and Write Multiple commands.

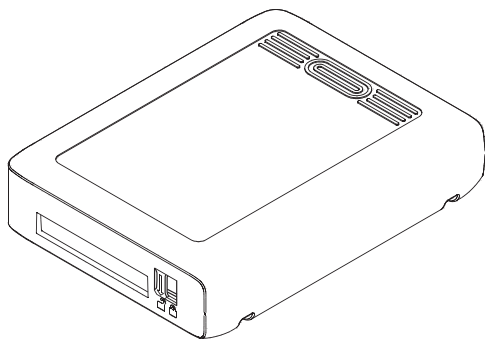


Figure 1. Momentus 5400.3 SATA Removable Drive Cartridge

1.1 About the Serial ATA interface

The Serial ATA interface provides several advantages over the traditional (parallel) ATA interface. The primary advantages include:

- Easy installation and configuration with true plug-and-play connectivity. It is not necessary to set any jumpers or other configuration options.
- Thinner and more flexible cabling for improved enclosure airflow and ease of installation.
- Scalability to higher performance levels.

In addition, Serial ATA makes the transition from parallel ATA easy by providing legacy software support. Serial ATA was designed to allow you to install a Serial ATA host adapter and Serial ATA disc drive in your current system and expect all of your existing applications to work as normal.

The Serial ATA interface connects each disc drive in a point-to-point configuration with the Serial ATA host adapter. There is no master/slave relationship with Serial ATA devices like there is with parallel ATA. If two drives are attached on one Serial ATA host adapter, the host operating system views the two devices as if they were both “masters” on two separate ports. This essentially means both drives behave as if they are Device 0 (master) devices.

Note. The host adapter may, optionally, emulate a master/slave environment to host software where two devices on separate Serial ATA ports are represented to host software as a Device 0 (master) and Device 1 (slave) accessed at the same set of host bus addresses. A host adapter that emulates a master/slave environment manages two sets of shadow registers. This is not a typical Serial ATA environment.

The Serial ATA host adapter and drive share the function of emulating parallel ATA device behavior to provide backward compatibility with existing host systems and software. The Command and Control Block registers, PIO and DMA data transfers, resets, and interrupts are all emulated.

The Serial ATA host adapter contains a set of registers that shadow the contents of the traditional device registers, referred to as the Shadow Register Block. All Serial ATA devices behave like Device 0 devices. For additional information about how Serial ATA emulates parallel ATA, refer to the “Serial ATA: High Speed Serialized AT Attachment” specification. The specification can be downloaded from <http://www.serialata.org>.

2.0 Removable Drive Cartridge specifications

Unless otherwise noted, all specifications are measured under ambient conditions, at 25°C, and nominal power. For convenience, the words and phrases *RDC*, *removable drive cartridge*, *drive*, and *this drive* are used throughout this manual to indicate the 160GB Momentus 5400.3 SATA Removable Drive Cartridge (RDC).

2.1 Specification summary

The specifications listed below are for quick reference. For details on specification measurement or definition, see the appropriate section of this manual.

Drive specification	160GB RDC (using ST9160821AS drive)
Formatted Gbytes (512 bytes/sector)	160
Guaranteed sectors	312,581,808
Bytes per sector	512
Default sectors per track	63
Default read/write heads	16
Default cylinders	16,383
Physical read/write heads	4
Discs	2
Recording density in BPI (bits/inch max)	870k
Track density TPI (tracks/inch max)	150k
Areal density (Gbits/inch ² max)	132
Spindle speed (RPM)	5,400
Internal transfer rate (Mbits/sec max)	352
I/O data transfer rate (Mbytes/sec max)	150
ATA data-transfer modes supported	SATA 1.0, Serial ATA Revision 2.5 Specification; PIO modes 0–4; Multiword DMA modes 0–2; UDMA modes 0–6
Cache buffer	8 Mbytes
Height (max)	24.50 +/- 0.2 mm (0.965 +/- .0078 inches)
Width (max)	85.7 +/- 0.3 mm (3.374 +/- 0.0118 inches)
Length (max)	111.88 +/- 0.3 mm (4.40 +/- 0.0118 inches)
Weight (typical)	170 grams +/- 3 grams (0.3747 lbs +/- 0.0066 lbs)
Average latency (msec)	5.6
Power-on to ready (typical)	3.0 sec
Standby to ready (typical)	3.0 sec
Startup current, (typical, peak)	+5V: 1.0A
Track-to-track seek time (msec typical)	1.0 (read), 1.5 (write)
Average seek, read (msec typical)	12.5
Average seek, write (msec typical)	14.5

Drive specification	160GB RDC (using ST9160821AS drive)
Seek power (typical)	2.0 watts
Read/write power (typical)	Read: 1.90 watts; Write: 1.8 watts
Idle mode, low power (typical)	0.6 watts
Standby mode (typical)	0.2 watts**
Sleep mode (typical)	0.2 watts**
Voltage tolerance (including noise)	+5.0V ± 5%
Ambient temperature	5° to 55°C (operating), -40° to 70°C (nonoperating)
Temperature gradient (°C per hour max)	20°C (operating) 30°C (nonoperating)
Relative humidity	5% to 90% (operating) 5% to 95% (nonoperating)
Relative humidity gradient	30% per hour max
Wet bulb temperature (°C max)	30 (operating) 40 (nonoperating)
Altitude, operating	-304.8 m to 3,048 m (-1000 ft to 10,000+ ft)
Altitude, nonoperating (meters below mean sea level, max)	-304.8 m to 12,192 m (-1000 ft to 40,000+ ft)
Shock, operating (Gs max at 2 msec)	250
Shock, nonoperating (Gs max at 2 msec)	1,500
Vibration, operating	0.5 G (0 to peak, 5-500 Hz)
Vibration, nonoperating	2.22 Grms (5-500 Hz random), 30 min, each axis Frequency (Hz); 5-300; Slope (dB/Oct.); Power Spectral Density (PSD) (G _r ² /Hz) +/- 6dB: 0.01
Drive acoustics, sound power (bels)	
Idle*	<3.0 bels (typ) <3.25 bels (max)
Seek	<3.4 bels (typ) <3.6 bels (max)
Nonrecoverable read errors	1 per 10 ¹⁴ bits read
Annualized Failure Rate (AFR)	0.60%
Warranty	1 year. To determine the warranty for a specific drive, use a web browser to access the following web page: www.seagate.com/support/service/ From this page, click on the "Verify Your Warranty" link. You will be asked to provide the drive serial number, model number (or part number) and country of purchase. The system will display the warranty information for your drive.
Load/Unload (U/UL) cycles	
25°C, 50% relative humidity	600,000 software-controlled power on/off cycles 20,000 hard power on/off cycles
32°C, 80% relative humidity	600,000 software-controlled power on/off cycles
5°C, 80% relative humidity	20,000 hard power on/off cycles
5°C, 10% relative humidity	
55°C, 16% relative humidity	
Supports Hotplug operation per Serial ATA Revision 2.5 specification	Yes (requires COMPRESET from host after a hotplug event)

*During periods of drive idle, some offline activity may occur according to the S.M.A.R.T. specification, which may increase acoustic and power to operational levels.

**Typical notebooks will pull power to the drive when entering S3 and S4; while in the S3 and S4 states, drive sleep and drive standby modes will not contribute to battery power consumption.

2.2 Formatted capacity

Formatted capacity	Guaranteed sectors	Bytes per sector
160 Gbytes	312,581,808	512

2.2.1 LBA mode

When addressing these drives in LBA mode, all blocks (sectors) are consecutively numbered from 0 to $n-1$, where n is the number of guaranteed sectors as defined above.

See Section 4.3.1, "Identify Device command" (words 60-61 and 100-103) for additional information about 48-bit addressing support of drives with capacities over 137 Gbytes.

2.3 Default logical geometry

Cylinders	Read/write heads	Sectors per track
16,383	16	63

LBA mode

When addressing these drives in LBA mode, all blocks (sectors) are consecutively numbered from 0 to $n-1$, where n is the number of guaranteed sectors as defined above.

2.4 Physical organization

Drive model	Read/write heads	Number of discs
160GB with ST9160821AS	4	2

2.5 Recording and interface technology

Interface	Serial ATA (SATA)
Recording method	Perpendicular
Recording density BPI (bits/inch max)	870k
Track density TPI (tracks/inch max)	150k
Areal density (Gbits/inch ² max)	132
Spindle speed (RPM) (\pm 0.2%)	5,400
Maximum Internal transfer rate (Mbits/sec)	352
I/O data-transfer rate (Mbytes/sec max)	150
Interleave	1:1
Cache buffer	8 Mbytes (8,192 kbytes)

2.6 Physical characteristics

Height	(mm) (inches)	24.50 +/-0.2 0.965 +/-0.0078
Width	(mm) (inches)	85.70 +/-0.3 3.374 +/-0.0118
Length	(mm) (inches)	111.88 +/-0.3 4.40 +/-0.0118
Typical weight	(grams) (pounds)	170 +/- 3 g 0.3747 +/- 0.0066

2.7 Seek time

Seek measurements are taken with nominal power at 25°C ambient temperature. All times are measured using drive diagnostics. The specifications in the table below are defined as follows:

- Track-to-track seek time is an average of all possible single-track seeks in both directions.
- Average seek time is a true statistical random average of at least 5,000 measurements of seeks between random tracks, less overhead.

Typical seek times (msec)	Read	Write
Track-to-track	1.0	1.5
Average	12.5	14.5
Full-stroke	22.0	24.0
Average latency	5.56	5.56

Note. These drives are designed to consistently meet the seek times represented in this manual. Physical seeks, regardless of mode (such as track-to-track and average), are expected to meet the noted values. However, due to the manner in which these drives are formatted, benchmark tests that include command overhead or measure logical seeks may produce results that vary from these specifications.

2.8 Start/stop times

Time to ready	Typical	Max @ 25°C
Power-on to Ready (sec)	3.0	8.0
Standby to Ready (sec)	3.0	8.0

2.9 Power specifications

The drive receives DC power (+5V) through a native SATA power connector.

2.9.1 Power consumption

Power requirements for the drives are listed in the table on page 7. Typical power measurements are based on an average of drives tested, under nominal conditions, at 25°C ambient temperature, after 25 minutes of operation.

- **Spinup power**

Spinup power is measured from the time of power-on to the time that the drive spindle reaches operating speed.

- **Seek mode**

During seek mode, the read/write actuator arm moves toward a specific position on the disc surface and does not execute a read or write operation. Servo electronics are active. Seek mode power is measured based on three random seek operations every 100 msecs. This mode is not typical.

- **Read/write power and current**

Read/write power is measured with the heads on track, based on three 63 sector read or write operations every 100 msecs.

- **Idle mode power**

Idle mode power is measured with the drive up to speed, with servo electronics active and with the heads in a random track location.

- **Standby mode**

During Standby mode, the drive accepts commands, but the drive is not spinning, and the servo and read/write electronics are in power-down model

Power dissipation	+5V input average (25° C)
Spinup	1.0 A
Seek	2.0 watts
Read	1.9 watts
Write	1.8 watts
Idle, performance mode*	1.4 watts
Idle, active*	0.75 watts
Idle, low power mode*	0.6 watts
Standby	0.2 watts
Sleep	0.2 watts

*During periods of drive idle, some offline activity may occur according to the S.M.A.R.T. specification, which may increase acoustic and power to operational levels.

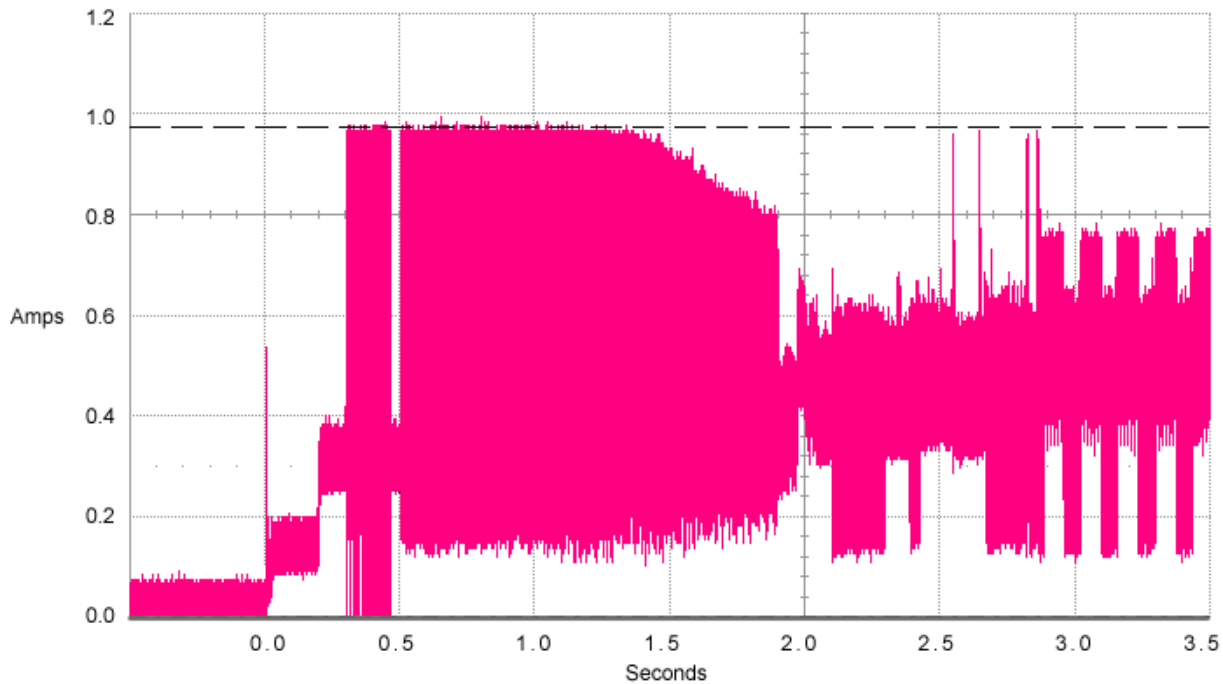


Figure 2. Typical +5V only startup and operation current profile

2.9.2 Conducted noise

Input noise ripple is measured at the host system power supply across an equivalent 15-ohm resistive load on the +5 volt line.

Using 5-volt power, the drive is expected to operate with a maximum of 100 mV peak-to-peak square-wave injected noise at up to 10 MHz.

Note. Equivalent resistance is calculated by dividing the nominal voltage by the typical RMS read/write current.

2.9.3 Voltage tolerance

Voltage tolerance (including noise):

5V \pm 5%

2.9.4 Power-management modes

The drive provides programmable power management to provide greater energy efficiency. In most systems, you can control power management through the system setup program. The drive features the following power-management modes:

Power modes	Heads	Spindle	Buffer
Active (operating)	Tracking	Rotating	Full power
Idle, performance	Tracking	Rotating	Self refresh—low power
Idle, active	Floating	Rotating	Self refresh—low power
Idle, low power	Parked	Rotating	Self refresh—low power
Standby	Parked	Stopped	Self refresh—low power
Sleep	Parked	Stopped	Self refresh—low power

- **Active mode**

The drive is in Active mode during the read/write and seek operations.

- **Idle mode**

The buffer remains enabled, and the drive accepts all commands and returns to Active mode any time disc access is necessary.

- **Standby mode**

The drive enters Standby mode when the host sends a Standby Immediate command. If the host has set the standby timer, the drive can also enter Standby mode automatically after the drive has been inactive for a specifiable length of time. The standby timer delay is established using a Standby or Idle command. In Standby mode, the drive buffer is in Self Refresh Low Power mode, the heads are parked and the spindle is at rest. The drive accepts all commands and returns to Active mode any time disc access is necessary.

- **Sleep mode**

The drive enters Sleep mode after receiving a Sleep command from the host. In Sleep mode, the drive buffer is in Self Refresh Low Power mode, the heads are parked and the spindle is at rest. The drive leaves Sleep mode after it receives a Hard Reset or Soft Reset from the host. After receiving a reset, the drive exits Sleep mode and enters Standby mode with all current translation parameters intact.

- **Idle and Standby timers**

Each time the drive performs an Active function (read, write or seek), the standby timer is reinitialized and begins counting down from its specified delay times to zero. If the standby timer reaches zero before any drive activity is required, the drive makes a transition to Standby mode. In both Idle and Standby mode, the drive accepts all commands and returns to Active mode when disc access is necessary.

2.10 Environmental specifications

Note. The removable drive cartridge should be stored for less than 60 days when exposed to continuous maximum temperature and humidity conditions of 40°C (104°F) and 80% relative humidity. Exceeding this duration in these conditions may result in loss of data.

2.10.1 Ambient temperature

Ambient temperature is defined as the temperature of the environment immediately surrounding the drive. Actual drive case temperature should not exceed 65°C (149°F) within the operating ambient conditions.

Above 1,000 feet (305 meters), the maximum temperature is derated linearly by 1°C every 1000 feet.

Operating	5° to 55°C (41° to 131°F)
Nonoperating	–40° to 70°C (–40° to 158°F)
System storage	0° to 30°C (0° to 86°F)
Drive cartridge storage	0° to 30°C (0° to 86°F)

2.10.2 Temperature gradient

Operating	20°C per hour (68°F per hour max), without condensation
Nonoperating	30°C per hour (86°F per hour max), without condensation

2.10.3 Humidity

Refer to the following two sections for relative humidity and wet bulb temperature specifications.

2.10.3.1 Relative humidity

Operating	5% to 90% noncondensing (30% per hour max)
Nonoperating	5% to 95% noncondensing (30% per hour max)
Drive cartridge storage	20% to 40% noncondensing (30% per hour max)

2.10.3.2 Wet bulb temperature

Operating	30°C (86°F) max
Nonoperating	40°C (104°F) max
Drive cartridge storage	25°C (77°F) max

2.10.4 Altitude

Operating	–304.8 m to 3,048 m (–1,000 ft to 10,000+ ft)
Nonoperating	–304.8 m to 12,192 m (–1,000 ft to 40,000+ ft)

2.11 Shock

All shock specifications assume that the drive is mounted securely with the input shock applied at the drive mounting screws. Shock may be applied in the X, Y or Z axis.

2.11.0.1 Operating shock

These drives comply with the performance levels specified in this document when subjected to a maximum operating shock of 250 Gs based on half-sine shock pulses of 2 msec. Shocks should not be repeated more than two times per second.

2.11.0.2 Nonoperating shock

The nonoperating shock level that the RDC can experience without incurring physical damage or degradation in performance when subsequently put into operation is 1,500 Gs based on a nonrepetitive half-sine shock pulse of 0.5 msec duration. This value should be considered equivalent to a 1 M drop to any surface or corner of the RDC onto a tiled surface over concrete.

2.11.1 Vibration

All vibration specifications assume that the drive is mounted securely with the input vibration applied at the rigidly-held RDC. Vibration may be applied in the X, Y or Z axis.

2.11.1.1 Operating vibration

The maximum vibration levels that the drive may experience while meeting the performance standards specified in this document are specified below.

5–500 Hz	0.5 G (0 to peak). Max displacement may apply below 10 Hz.
----------	--

2.11.1.2 Nonoperating vibration

The maximum nonoperating vibration levels that the drive may experience without incurring physical damage or degradation in performance when subsequently put into operation are specified below.

Nonoperating random vibration input levels (no hard errors, all axes)

- 2.22 Grms (5-500 Hz random), 30 min. each axis
- Frequency (Hz): 5-500; Slope (dB/Oct.): Power Spectral Density (PSD) (G_2/Hz) +/- 6dB: 0.01

2.12 Acoustics

Drive acoustics are measured as overall A-weighted acoustic sound power levels (no pure tones). All measurements are consistent with ISO document 7779. Sound power measurements are taken under essentially free-field conditions over a reflecting plane. For all tests, the drive is oriented with the cover facing upward.

For seek mode tests, the drive is placed in seek mode only. The number of seeks per second is defined by the following equation:

(Number of seeks per second = $0.4 / (\text{average latency} + \text{average access time})$)

Idle*	Seek
<3.0 bels (typ) <3.25 bels (max)	<3.4 bels (typ) <3.6 bels (max)

Note. *During periods of drive idle, some offline activity may occur according to the S.M.A.R.T. specification, which may increase acoustic and power to operational levels.

2.13 Electromagnetic immunity

When properly installed in a representative host system, the drive operates without errors or degradation in performance when subjected to the radio frequency (RF) environments defined below:

Test	Description	Performance level	Reference standard
Electrostatic discharge	Contact, HCP, VCP: ± 4 kV; Air: ± 8 kV	B	EN 61000-4-2: 95
Radiated RF immunity	80 to 1,000 MHz, 3 V/m, 80% AM with 1 kHz sine 900 MHz, 3 V/m, 50% pulse modulation @ 200 Hz	A	EN 61000-4-3: 96 ENV 50204: 95
Electrical fast transient	± 1 kV on AC mains, ± 0.5 kV on external I/O	B	EN 61000-4-4: 95
Surge immunity	± 1 kV differential, ± 2 kV common, AC mains	B	EN 61000-4-5: 95
Conducted RF immunity	150 kHz to 80 MHz, 3 Vrms, 80% AM with 1 kHz sine	A	EN 61000-4-6: 97
Voltage dips, interrupts	0% open, 5 seconds 0% short, 5 seconds 40%, 0.10 seconds 70%, 0.01 seconds	C C C B	EN 61000-4-11: 94

2.14 Reliability

Measurement type	Specification
Nonrecoverable read errors	1 per 10 ¹⁴ bits read, max.
Annualized Failure Rate (AFR)	0.60% At 2000 Power-On Hours (POH), nominal power, 25°C ambient temperature. Max HDA case temperature: 65°C.
Load/Unload (U/UL) 25°C, 50% relative humidity 32°C, 80% relative humidity 5°C, 80% relative humidity 5°C, 10% relative humidity 55°C, 16% relative humidity	600,000 software-controlled power on/off cycles 20,000 hard power on/off cycles 600,000 software-controlled power on/off cycles 20,000 hard power on/off cycles
Insertion and removal cycles	The Removable Drive Cartridge is designed to achieve 5000 insertion and removal cycles when mated with a properly-designed receptacle. A cycle is defined as a complete insertion and removal loop.
Warranty	1 year. To determine the warranty for a specific drive, use a web browser to access the following web page: www.seagate.com/support/service/ From this page, click on the "Verify Your Warranty" link. You will be asked to provide the drive serial number, model number (or part number) and country of purchase. The system will display the warranty information for your drive.

2.15 Safety certification

The drives are recognized in accordance with UL 1950 and CSA C22.2 (950) and meet all applicable sections of IEC950 and EN 60950 as tested by U.L.

The drive cartridge material meets flammability resistance requirements as specified by UL94V.

2.16 Environmental protection

Seagate designs its products to meet environmental protection requirements worldwide, including regulations restricting certain chemical substances.

2.16.1 European Union Restriction of Hazardous Substances (RoHS)

The European Union Restriction of Hazardous Substances (RoHS) Directive restricts the presence of chemical substances, including Lead (Pb), in electronic products effective July 2006.

A number of parts and materials in Seagate products are procured from external suppliers. We rely on the representations of our suppliers regarding the presence of RoHS substances in these parts and materials. Our supplier contracts require compliance with our chemical substance restrictions, and our suppliers document their compliance with our requirements by providing material content declarations for all parts and materials for the disc drives documented in this publication. Current supplier declarations include disclosure of the inclusion of any RoHS-regulated substance in such parts or materials.

Seagate also has internal systems in place to ensure ongoing compliance with the RoHS Directive and all laws and regulations which restrict chemical content in electronic products. These systems include standard operating procedures that ensure that restricted substances are not utilized in our manufacturing operations, laboratory analytical validation testing, and an internal auditing process to ensure that all standard operating procedures are complied with.

2.16.2 China Restriction of Hazardous Substances (RoHS) Directive

2.16.2 中国限制危险物品的指令

This product has an Environmental Protection Use Period (EPUP) of 20 years. The following table contains information mandated by China's "Marking Requirements for Control of Pollution Caused by Electronic Information Products" Standard.



该产品具有20年的环境保护使用周期（EPUP）。下表包含了中国“电子产品所导致的污染的控制的记号要求”所指定的信息。

Name of Parts 部件名称	Toxic or Hazardous Substances or Elements有毒有害物质或元素					
	Lead 铅 (Pb)	Mercury 汞 (Hg)	Cadmium 镉 (Cd)	Hexavalent Chromium 六价铬 (Cr6+)	Polybrominated Biphenyl 多溴联苯 (PBB)	Polybrominated Diphenyl Ether 多溴二苯醚 (PBDE)
PCBA	X	O	O	O	O	O
HDA	X	O	O	O	O	O

"O" indicates the hazardous and toxic substance content of the part (at the homogenous material level) is lower than the threshold defined by the China RoHS MCV Standard.

“O”表示该部件（于同类物品程度上）所含的危险和有毒物质低于中国RoHS MCV标准所定义的门槛值。

"X" indicates the hazardous and toxic substance content of the part (at the homogenous material level) is over the threshold defined by the China RoHS MCV Standard.

“X”表示该部件（于同类物品程度上）所含的危险和有毒物质超出中国RoHS MCV标准所定义的门槛值。

2.17 Corrosive environment

Seagate electronic drive components pass accelerated corrosion testing equivalent to 10 years exposure to light industrial environments containing sulfurous gases, chlorine and nitric oxide, classes G and H per ASTM B845. However, this accelerated testing cannot duplicate every potential application environment.

Users should use caution exposing any electronic components to uncontrolled chemical pollutants and corrosive chemicals as electronic drive component reliability can be affected by the installation environment. The silver, copper, nickel and gold films used in Seagate products are especially sensitive to the presence of sulfide, chloride, and nitrate contaminants. Sulfur is found to be the most damaging. In addition, electronic components should never be exposed to condensing water on the surface of the printed circuit board assembly (PCBA) or exposed to an ambient relative humidity greater than 95%. Materials used in cabinet fabrication, such as vulcanized rubber, that can outgas corrosive compounds should be minimized or eliminated. The useful life of any electronic equipment may be extended by replacing materials near circuitry with sulfide-free alternatives.

3.0 Using the drive

This section contains handling precautions, dimensions, and instructions for using the drive.

3.1 Handling precautions

Observe the following standard handling precautions:

- Avoid unnecessary handling. When you do handle the drive, avoid bumps and vibration.
- Do not bump, move, or drop the drive while in operation--doing so may damage the drive.
- Do not open the drive enclosure--this will void the product warranty.
- Do not remove the factory-installed labels from the drive or cover them with additional labels. Removal voids the warranty. Some factory-installed labels contain information needed to service the drive.

3.2 Dimensions

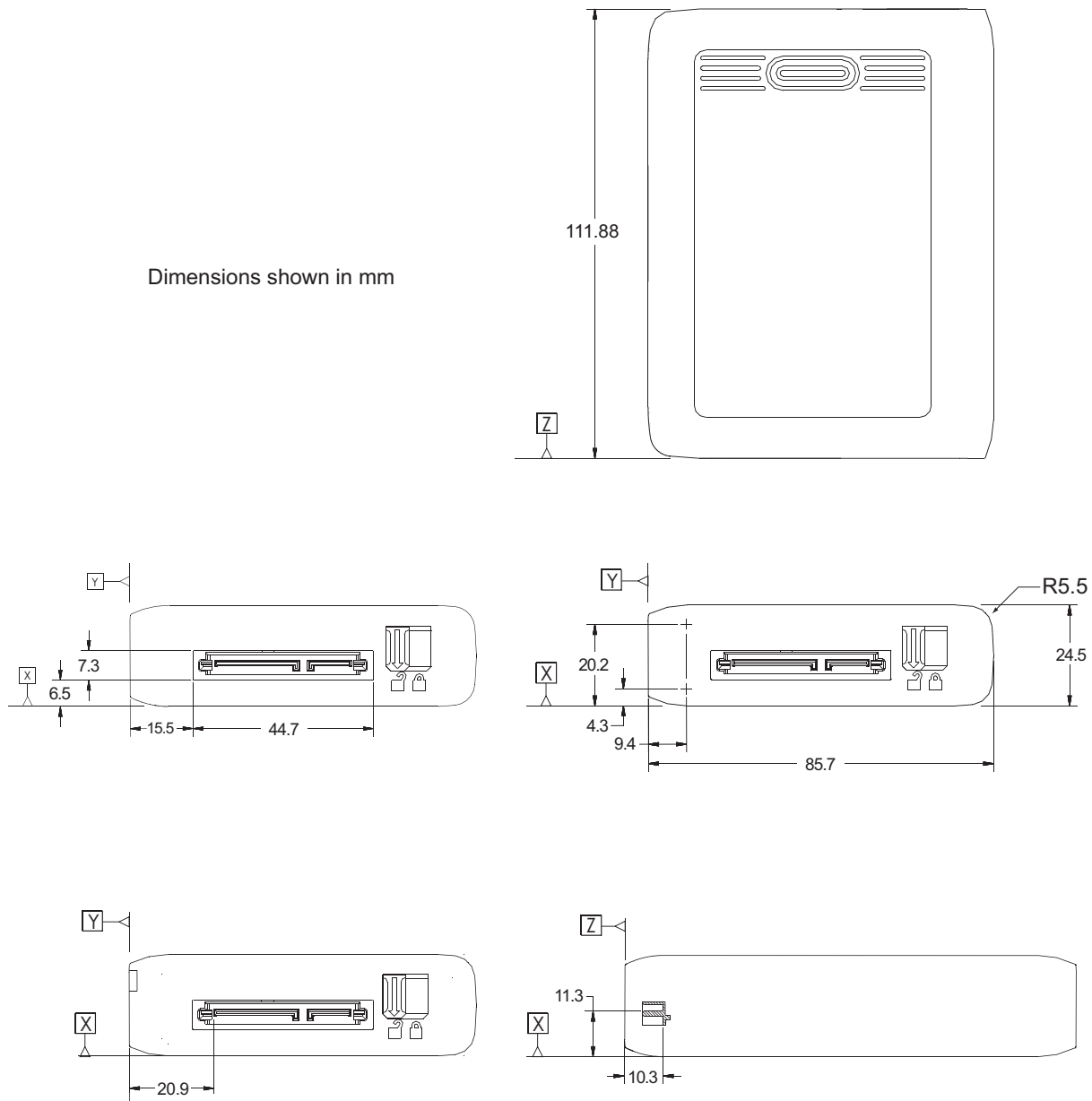


Figure 3. Momentus 5400.3 SATA Removable Drive Cartridge dimensions

3.3 Normal operation

The removable cartridge drive is designed for insertion into a drive bay within a host enclosure that is specifically-designed to house Seagate Removable Drive Cartridge units. This host enclosure may be a surveillance system, a traditional home PC, office PC, an enterprise server host system, or any other host that supports Momentus 5400.3 SATA Removable Drive Cartridge units.

A properly-designed drive bay allows you to insert the cartridge into the bay and blind mate to the receiving connector with minimal force. Momentus 5400.3 SATA Removable Drive Cartridge units are hot-pluggable, so you do not need to power down the host system prior to insertion. Power and interface signal connections are provided through the SATA connector. The drive will begin spinning just milliseconds after full and proper insertion into the drive bay and will typically be ready for use within 10 seconds after insertion.

3.4 Insertion capability

Insertion cycles (cartridge into properly-designed carrier)	5,000
---	-------

3.5 Write protect switch

The drive, as shipped from the factory, is configured to allow you to write to and read from the drive. To write protect the Momentus 5400.3 SATA Removable Drive Cartridge, locate the write protect switch and move the switch to the position shown in Figure 4 below. Existing data on the drive may still be read, but writes will be prohibited as long as the switch is in the write protect (locked) position.

The drive is shipped in the unlocked position and this is the default configuration. Verify that the write protect switch is in the desired position prior to use.

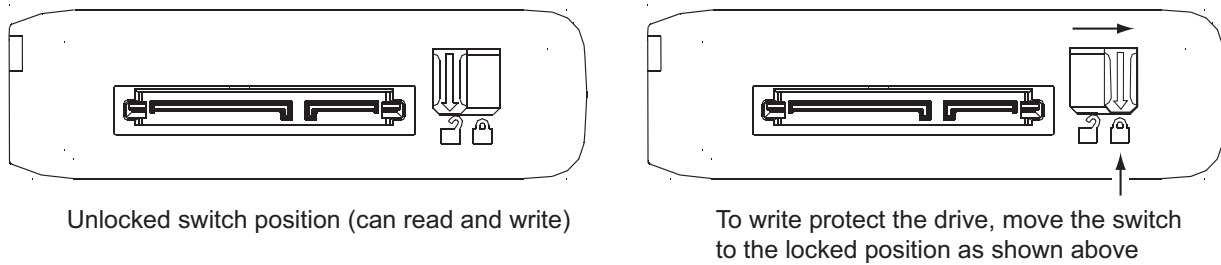


Figure 4. Write protect switch

4.0 Serial ATA (SATA) interface

These drives use the industry-standard Serial ATA interface that supports FIS data transfers. It supports ATA programmed input/output (PIO) modes 0–4; multiword DMA modes 0–2, and Ultra DMA modes 0–6. The drive also supports the use of the IORDY signal to provide reliable high-speed data transfers.

For detailed information about the Serial ATA interface, refer to the “Serial ATA: High Speed Serialized AT Attachment” specification.

4.1 Hot-Plug compatibility

Momentum 5400.3 SATA drives incorporate connectors which enable you to hot plug these drives in accordance with the Serial ATA: High Speed Serialized AT Attachment specification revision 2.0. This specification can be downloaded from <http://www.serialata.org>. This device requires a COMRESET from the host after a hotplug event.

4.2 Serial ATA device plug connector pin definitions

Table 1 summarizes the signals on the Serial ATA interface and power connectors..

Table 1: Serial ATA connector pin definitions

Segment	Pin	Function	Definition
Signal	S1	Ground	2nd mate
	S2	A+	Differential signal pair A from Phy
	S3	A-	
	S4	Ground	2nd mate
	S5	B-	Differential signal pair B from Phy
	S6	B+	
	S7	Ground	2nd mate

Key and spacing separate signal and power segments

Table 1: Serial ATA connector pin definitions

Segment	Pin	Function	Definition
Power	P1	V ₃₃	3.3V power
	P2	V ₃₃	3.3V power
	P3	V ₃₃	3.3V power, pre-charge, 2nd mate
	P4	Ground	1st mate
	P5	Ground	2nd mate
	P6	Ground	2nd mate
	P7	V ₅	5V power, pre-charge, 2nd mate
	P8	V ₅	5V power
	P9	V ₅	5V power
	P10	Ground	2nd mate
	P11	Reserved	The pin corresponding to P11 in the backplane receptacle connector is also reserved The corresponding pin to be mated with P11 in the power cable receptacle connector shall always be grounded
	P12	Ground	1st mate.
	P13	V ₁₂	12V power, pre-charge, 2nd mate
	P14	V ₁₂	12V power
	P15	V ₁₂	12V power

Notes:

- All pins are in a single row, with a 1.27 mm (0.050") pitch.
- The comments on the mating sequence apply to the case of backplane blindmate connector only. In this case, the mating sequences are:
 - the ground pins P4 and P12.
 - the pre-charge power pins and the other ground pins.
 - the signal pins and the rest of the power pins.
- There are three power pins for each voltage. One pin from each voltage is used for pre-charge when installed in a blind-mate backplane configuration.
- All used voltage pins (V_x) must be terminated.

4.3 Supported ATA commands

Table 2 lists Serial ATA standard commands that the drive supports. For a detailed description of the ATA commands, refer to the Serial ATA: High Speed Serialized AT Attachment specification. See “S.M.A.R.T. commands” on page 28 for details and subcommands used in the S.M.A.R.T. implementation.

Table 2: Supported ATA commands

Command name	Command code (in hex)
ATA-standard commands	
Device Configuration Restore	B1h/C0h
Device Configuration Freeze Lock	B1h/C1h
Device Configuration Identify	B1h/C2h
Device Configuration Set	B1h/C3h
Download Microcode	92h
Execute Device Diagnostics	90h
Flush Cache	E7h
Flush Cache Extended	EAh
Identify Device	ECh
Initialize Device Parameters	91h
Read Buffer	E4h
Read DMA	C8h
Read DMA Extended	25h
Read DMA without Retries	C9h
Read Long with Retries	22h
Read Long without Retries	23h
Read Multiple	C4h
Read Multiple Extended	29h
Read Native Max Address	F8h
Read Native Max Address Extended	27h
Read Sectors	20h
Read Sectors Extended	24h
Read Sectors without Retries	21h
Read Verify Sectors	40h
Read Verify Sectors Extended	42h
Read Verify Sectors without Retries	41h
Seek	70h
Set Features	EFh
Set Max Address	F9h

Table 2: Supported ATA commands

Command name	Command code (in hex)	
Note: Individual Set Max commands are identified by the value placed in the Set Max Features register as defined to the right.	Address:	00 _H
	Password:	01 _H
	Lock:	02 _H
	Unlock:	03 _H
	Freeze Lock:	04 _H
Set Multiple Mode	C6h	
S.M.A.R.T. Disable Operations	B0h/D9h	
S.M.A.R.T. Enable/Disable Autosave	B0h/D2h	
S.M.A.R.T. Enable Operations	B0h/D8h	
S.M.A.R.T. Enable/Disable Auto Offline	B0h/DBh	
S.M.A.R.T. Enable One Attribute Modification	B0h/E0h	
S.M.A.R.T. Execute Offline	B0h/D4h	
S.M.A.R.T. Read Attribute Thresholds	B0h/D1h	
S.M.A.R.T. Read Data	B0h/D0h	
S.M.A.R.T. Read Log Sector	B0h/D5h	
S.M.A.R.T. Return Status	B0h/DAh	
S.M.A.R.T. Save Attribute Values	B0h/D3h	
S.M.A.R.T. Write Attribute Thresholds	B0h/D7h	
S.M.A.R.T. Write Attribute Values	B0h/E1h	
S.M.A.R.T. Write Log Sector	B0h/D6h	
Write Buffer	E8h	
Write DMA	CAh	
Write DMA Extended	35h	
Write DMA without Retries	CBh	
Write Long with Retries	32h	
Write Long without Retries	33h	
Write Multiple	C5h	
Write Sectors	30h, 31h	
Write Sectors Extended	34h	
ATA-standard power-management commands		
Check Power Mode	98h or E5h	
Idle	97h or E3h	
Idle Immediate	95h or E1h	
Sleep	99h or E6h	
Standby	96h or E2h	
Standby Immediate	94h or E0h	

Table 2: Supported ATA commands

Command name	Command code (in hex)
ATA-standard security commands	
Security Set Password	F1h
Security Unlock	F2h
Security Erase Prepare	F3h
Security Erase Unit	F4h
Security Freeze Lock	F5h
Security Disable Password	F6h

4.3.1 Identify Device command

The Identify Device command (command code EC_H) transfers information about the drive to the host following power up. The data is organized as a single 512-byte block of data, whose contents are shown in the table on page 27. All reserved bits or words should be set to zero. Parameters listed with an “x” are drive-specific or vary with the state of the drive. See Section 2.0 on page 3 for default parameter settings.

The following commands contain drive-specific features that may not be included in the Serial ATA specification.

Word	Description	Value
0	Configuration information: • Bit 15: 0 = ATA; 1 = ATAPI • Bit 7: removable media • Bit 6: removable controller • Bit 0: reserved	0C5A _H
1	Number of logical cylinders	16,383
2	ATA-reserved	0000 _H
3	Number of logical heads	16
4	Retired	0000 _H
5	Retired	0000 _H
6	Number of logical sectors per logical track: 63	003F _H
7–9	Retired	0000 _H
10–19	Serial number: (20 ASCII characters, 0000 _H = none)	ASCII
20	Retired	0000 _H
21	Retired	0400 _H
22	Obsolete	0000 _H
23–26	Firmware revision (8 ASCII character string, padded with blanks to end of string)	x.xx
27–46	Drive model number: (40 ASCII characters, padded with blanks to end of string)	ST9160821AS
47	(Bits 7–0) Maximum sectors per interrupt on Read multiple and Write multiple (16)	8010 _H
48	Reserved	0000 _H
49	Standard Standby timer, IORDY supported and may be disabled	2F00 _H
50	ATA-reserved	0000 _H
51	PIO data-transfer cycle timing mode	0200 _H
52	Retired	0200 _H
53	Words 54–58, 64–70 and 88 are valid	0007 _H
54	Number of current logical cylinders	xxxx _H
55	Number of current logical heads	xxxx _H
56	Number of current logical sectors per logical track	xxxx _H
57–58	Current capacity in sectors	xxxx _H

Word	Description	Value
59	Number of sectors transferred during a Read Multiple or Write Multiple command	xxxx _H
60–61	Total number of user-addressable LBA sectors available (see Section 2.2 for related information)	ST9160821AS = 312,581,808
62	Retired	0000 _H
63	Multiword DMA active and modes supported (see note following this table)	xx07 _H
64	Advanced PIO modes supported (modes 3 and 4 supported)	0003 _H
65	Minimum multiword DMA transfer cycle time per word (120 nsec)	0078 _H
66	Recommended multiword DMA transfer cycle time per word (120 nsec)	0078 _H
67	Minimum PIO cycle time without IORDY flow control (240 nsec)	00F0 _H
68	Minimum PIO cycle time with IORDY flow control (120 nsec)	0078 _H
69–74	ATA-reserved	0000 _H
75	Queue depth	0000 _H
76	Serial ATA capabilities	0508 _H
77	ATA-reserved	0000 _H
78	Serial ATA features supported	0048 _H
79	Serial ATA features enabled	0040 _H
80	Major version number	003E _H
81	Minor version number	0000 _H
82	Command sets supported	306B _H
83	Command sets supported	4001 _H
84	Command sets support extension	4000 _H
85	Command sets enabled	30xx _H
86	Command sets enabled	0001 _H
87	Command sets enable extension	4000 _H
88	Ultra DMA support and current mode (see note following this table)	xx7F _H
89	Security erase time	0000 _H
90	Enhanced security erase time	0000 _H
92	Master password revision code	FFFE _H
93	Hardware reset value (see description following this table)	xxxx _H
94	Auto acoustic management setting	xxxx _H
95–99	ATA-reserved	0000 _H

Word	Description	Value
100–103	Total number of user-addressable LBA sectors available (see Section 2.2 for related information) These words are required for drives that support the 48-bit addressing feature. Maximum value: 0000FFFFFFFFFh.	ST9160821AS = 312,581,808
104–127	ATA-reserved	0000 _H
128	Security status	0001 _H
129–159	Seagate-reserved	xxxx _H
160–254	ATA-reserved	0000 _H
255	Integrity word	xxA5 _H

Note. See the bit descriptions below for words 63, 88, 93 and 94 of the Identify Drive data:

Description (if bit is set to 1)

Bit	Word 63
0	Multiword DMA mode 0 is supported.
1	Multiword DMA mode 1 is supported.
2	Multiword DMA mode 2 is supported.
8	Multiword DMA mode 0 is currently active.
9	Multiword DMA mode 1 is currently active.
10	Multiword DMA mode 2 is currently active.
Bit	Word 88
0	Ultra DMA mode 0 is supported.
1	Ultra DMA mode 1 is supported.
2	Ultra DMA mode 2 is supported.
3	Ultra DMA mode 3 is supported.
4	Ultra DMA mode 4 is supported.
8	Ultra DMA mode 0 is currently active.
9	Ultra DMA mode 1 is currently active.
10	Ultra DMA mode 2 is currently active.
11	Ultra DMA mode 3 is currently active.
12	Ultra DMA mode 4 is currently active.
13	Ultra DMA mode 5 is currently active.
Bit	Word 93
13	1 = 80-conductor cable detected, CBLID above V _{IH} 0 = 40-conductor cable detected, CBLID below V _{IL}

4.3.2 Set Features command

This command controls the implementation of various features that the drive supports. When the drive receives this command, it sets BSY, checks the contents of the Features register, clears BSY and generates an interrupt. If the value in the register does not represent a feature that the drive supports, the command is aborted. Power-on default has the read look-ahead and write caching features enabled. The acceptable values for the Features register are defined as follows:

Table 3: Set Features command values

02 _H	Enable write cache (<i>default</i>).
03 _H	Set transfer mode (based on value in Sector Count register). Sector Count register values:
00 _H	Set PIO mode to default (PIO mode 2).
01 _H	Set PIO mode to default and disable IORDY (PIO mode 2).
08 _H	PIO mode 0
09 _H	PIO mode 1
0A _H	PIO mode 2
0B _H	PIO mode 3
0C _H	PIO mode 4 (<i>default</i>)
20 _H	Multiword DMA mode 0
21 _H	Multiword DMA mode 1
22 _H	Multiword DMA mode 2
40 _H	Ultra DMA mode 0
41 _H	Ultra DMA mode 1
42 _H	Ultra DMA mode 2
43 _H	Ultra DMA mode 3
44 _H	Ultra DMA mode 4
45 _H	Ultra DMA mode 5
55 _H	Disable read look-ahead (read cache) feature.
82 _H	Disable write cache
AA _H	Enable read look-ahead (read cache) feature (<i>default</i>).
F1 _H	Report full capacity available

Note. At power-on, or after a hardware or software reset, the default values of the features are as indicated above.

4.3.3 S.M.A.R.T. commands

S.M.A.R.T. provides near-term failure prediction for disc drives. When S.M.A.R.T. is enabled, the drive monitors predetermined drive attributes that are susceptible to degradation over time. If self-monitoring determines that a failure is likely, S.M.A.R.T. makes a status report available to the host. Not all failures are predictable. S.M.A.R.T. predictability is limited to the attributes the drive can monitor. For more information on S.M.A.R.T. commands and implementation, see the *Draft ATA-5 Standard*.

SeaTools diagnostic software activates a built-in drive self-test (DST S.M.A.R.T. command for D4_H) that eliminates unnecessary drive returns. The diagnostic software ships with all new drives and is also available at: <http://seatools.seagate.com>.

This drive is shipped with S.M.A.R.T. features disabled. You must have a recent BIOS or software package that supports S.M.A.R.T. to enable this feature. The table below shows the S.M.A.R.T. command codes that the drive uses.

Table 4: S.M.A.R.T. commands

Code in features register	S.M.A.R.T. command
D0 _H	S.M.A.R.T. Read Data
D1 _H	Vendor-specific
D2 _H	S.M.A.R.T. Enable/Disable Attribute Autosave
D3 _H	S.M.A.R.T. Save Attribute Values
D4 _H	S.M.A.R.T. Execute Off-line Immediate (runs DST)
D5 _H	S.M.A.R.T. Read Log Sector
D6 _H	S.M.A.R.T. Write Log Sector
D7 _H	Vendor-specific
D8 _H	S.M.A.R.T. Enable Operations
D9 _H	S.M.A.R.T. Disable Operations
DA _H	S.M.A.R.T. Return Status

Note. If an appropriate code is not written to the Features Register, the command is aborted and 0x04 (abort) is written to the Error register.

5.0 Seagate Technology support services

Online Services

Internet

For information regarding Seagate products and services, visit www.seagate.com. Worldwide support is available 24 hours daily by email for your questions.

Presales Support:

Presales@Seagate.com

Technical Support:

DiscSupport@Seagate.com

Warranty Support:

<http://www.seagate.com/support/service/index.html>

mySeagate

my.seagate.com is the industry's first Web portal designed specifically for OEMs and distributors. It provides self-service access to critical applications, personalized content and the tools that allow our partners to manage their Seagate account functions. Submit pricing requests, orders and returns through a single, password-protected Web interface-anytime, anywhere in the world.

spp.seagate.com

spp.seagate.com supports Seagate resellers with product information, program benefits and sales tools. You may register for customized communications that are not available on the web. These communications contain product launch, EOL, pricing, promotions and other channel-related information. To learn more about the benefits or to register, go to spp.seagate.com, any time, from anywhere in the world.

Seagate Service Centers

Presales Support

Our Presales Support staff can help you determine which Seagate products are best suited for your specific application or computer system, as well as product availability and compatibility.

Technical Support

Seagate technical support is available to assist you online at support.seagate.com or through one of our call centers. Have your system configuration information and your "ST" model number available.

SeaTDD™ (+1-405-324-3655) is a telecommunications device for the deaf (TDD). You can send questions or comments 24 hours daily and exchange messages with a technical support specialist during normal business hours for the call center in your region.

Customer Service Operations

Warranty Service

Seagate offers worldwide customer support for Seagate products. Seagate distributors, OEMs and other direct customers should contact their Seagate Customer Service Operations (CSO) representative for warranty-related issues. Resellers or end users of drive products should contact their place of purchase or Seagate warranty service for assistance. Have your serial number and model or part number available.

Data Recovery Services

Seagate offers data recovery services for all formats and all brands of storage media. Our data recovery services labs are currently located throughout the world. . Additional information, including an online request form and data loss prevention resources, is available at <http://services.seagate.com/index.aspx>

Authorized Service Centers

Seagate Service Centers are available on a global basis for the return of defective products. Contact your customer support representative for the location nearest you.

USA/Canada/Latin America support services

For an extensive list of telephone numbers to technical support, presales and warranty service in USA/Canada/Latin America, including business hours, go to the "Contact Us" page on www.seagate.com.

Global Customer Support

Presales, Technical, and Warranty Support

Call Center	Toll-free	Direct dial
USA, Canada, and Mexico	1-800-SEAGATE	+1-405-324-4700

Data Recovery Services

Call Center	Toll-free	Direct dial	FAX
USA, Canada, and Mexico	1-800-475-01435	+1-905-474-2162	1-800-475-0158 +1-905-474-2459

Europe, the Middle East and Africa Support Services

For an extensive list of telephone numbers to technical support, presales and warranty service in Europe, the Middle East and Africa, go to the "Contact Us" page on www.seagate.com.

Asia/Pacific Support Services

For an extensive list of telephone numbers to technical support, presales and warranty service in Asia/Pacific, go to the "Contact Us" page on www.seagate.com.

Index

A

- acoustics 4, 12
- Active mode 9
- Address 21
- Agency certification 13
- Altitude 10
- Altitude, nonoperating 4
- Altitude, operating 4
- Ambient temperature 4, 10
- ambient temperature 6
- Annualized Failure Rate (AFR) 4
- Areal density 3, 5
- ATA commands 21
- ATA data-transfer modes supported 3
- Average seek time 6
- Average seek, read 3
- Average seek, write 3

B

- bels 4
- BPI 3
- buffer 3, 5
- Bytes per sector 3, 5

C

- Cache 3
- cache 5
- capacity 5
- case temperature 10
- certification 13
- Check Power Mode 22
- chemical substances 13
- China RoHS directive 14
- Conducted noise 8
- Conducted RF immunity 12
- CSA C22.2 (950) 13
- current 3
- cycles 13
- Cylinders 5
- cylinders 3

D

- data-transfer rates 1
- DC power 7
- Default logical geometry 5
- Default sectors per track 3
- density 3
- Device Configuration Freeze Lock 21
- Device Configuration Restore 21
- Device Configuration Set 21

- Diagnostics 21
- Dimensions 16
- Discs 3
- dissipation 7
- Download Microcode 21

E

- ead/write heads 3
- Electrical fast transient 12
- Electromagnetic immunity 12
- Electrostatic discharge 12
- EN 60950 13
- Environmental protection 13
- Environmental specifications 10
- error-correction algorithms 1
- errors 4, 13
- European Union Restriction of Hazardous Substances 13
- evice Configuration Identify 21
- Execute Device Diagnostics 21

F

- features 1
- Flush Cache 21
- Flush Cache Extended 21
- Formatted capacity 5
- Formatted Gbytes 3
- Freeze Lock 21

G

- Gbytes 5
- geometry 5
- gradient 4
- Guaranteed sectors 3, 5
- guaranteed sectors 5

H

- Handling precautions 15
- heads 1, 3, 5
- Height 3
- height 6
- Humidity 10
- humidity 4

I

- I/O data-transfer rate 3, 5
- Identify 21
- Identify Device 21
- Identify Device command 24
- Idle 7, 22
- Idle and Standby timers 9
- Idle Immediate 22
- Idle mode 4, 9

Idle mode power 7
IEC950 13
Initialize Device Parameters 21
Input noise ripple 8
Insertion 17
Insertion cycles 17
Interface 5
interface 19
Interleave 5
Internal data transfer rate 3
Internal data-transfer rate 5
is 6
ISO document 7779 12

L

latency 3
LBA mode 5
Length 3
length 6
Load/Unload 13
logical geometry 5

M

master/slave 2
Max Address 21
maximum temperature 10
Mean time between failures (MTBF) 13
Microcode 21
mounting screws 11

N

noise 8
nominal power 6
Nonoperating shock 11
Nonoperating vibration 11
Nonrecoverable read errors 4
nonrecoverable read errors 13

O

Operating shock 11
Operating vibration 11

P

Physical characteristics 6
Physical organization 5
Physical read/write heads 3
point-to-point 2
Power consumption 7
power dissipation 7
power management 9
power on/off cycles 13
Power specifications 7
Power-management modes 9

Power-on to Ready 6
Power-on to ready 3
precautions 15
programmable power management 9

Q

quick reference 3

R

Radiated RF immunity 12
radio frequency (RF) 12
random track location 7
Read Buffer 21
Read DMA 21
Read DMA Extended 21
Read DMA without Retries 21
read errors 4, 13
Read Long with Retries 21
Read Long without Retries 21
Read Multiple 21
Read Multiple Extended 21
Read Native Max Address 21
Read Native Max Address Extended 21
Read Sectors 21
Read Sectors Extended 21
Read Sectors without Retries 21
Read Verify Sectors 21
Read Verify Sectors Extended 21
Read Verify Sectors without Retries 21
Read/write heads 5
Read/write power 4
read/write power and current 7
Recording density 3, 5
Recording method 5
Recording technology 5
Relative humidity 4, 10
Reliability 13
resistance 8
Retries 21
RF 12
RoHS 13, 14
RPM 3

S

S.M.A.R.T. 22
S.M.A.R.T. implementation 21
SATA 5, 19
screws 11
sector 5
sectors 5
Sectors per track 5
sectors per track 3
Security Disable Password 23
Security Erase Prepare 23

- Security Erase Unit 23
- Security Freeze Lock 23
- Security Set Password 23
- Security Unlock 23
- Seek 21
 - seek mode 7
 - Seek power 4
 - Seek time 6
 - seek time 3
 - Seeking 7
- Self refresh, low power 9
- Serial ATA 5
- Serial ATA (SATA) interface 19
- serial ATA ports 2
- servo electronics 7
- Set Features 21
- Set Max Address 21
- Set Multiple Mode 22
- Shock 11
 - Shock, nonoperating 4
 - Shock, operating 4
- single-track seeks 6
- Sleep 7, 22
- Sleep mode 4, 9
- sound power 4
- Specification summary table 3
- Spindle speed 3, 5
- Spinup 7
 - spinup power 7
- Standby 7, 22
 - Standby Immediate 22
 - Standby mode 4, 7, 9
 - Standby to Ready 6
 - Standby to ready 3
- Start/stop times 6
- Startup current 3
- support services 29
- Surge immunity 12
- switch 17

T

- technical support services 29
- temperature 4, 6, 10
- Temperature gradient 4, 10
- timers 9
- TMR 1
- TPI 3
- Track density 3, 5
- Track-to-track seek time 3, 6
- Tunneling Magnetoresistive heads 1

U

- U.L. 13
- UL 1950 13

V

- Vibration 11
 - Vibration, nonoperating 4
 - Vibration, operating 4
- Voltage dips, interrupts 12
- Voltage tolerance 4, 8

W

- Warranty 13
- Weight 3
- weight 6
- Wet bulb temperature 4, 10
- Width 3
- width 6
- Write Buffer 22
- Write DMA 22
- Write DMA Extended 22
- Write Long with Retries 22
- Write Long without Retries 22
- Write Multiple 22
- Write protect 17
- Write Sectors 22



Seagate Technology LLC
920 Disc Drive, Scotts Valley, California 95066-4544, USA
Publication Number: 100459868, Rev. D, Printed in USA

Free Manuals Download Website

<http://myh66.com>

<http://usermanuals.us>

<http://www.somanuals.com>

<http://www.4manuals.cc>

<http://www.manual-lib.com>

<http://www.404manual.com>

<http://www.luxmanual.com>

<http://aubethermostatmanual.com>

Golf course search by state

<http://golfingnear.com>

Email search by domain

<http://emailbydomain.com>

Auto manuals search

<http://auto.somanuals.com>

TV manuals search

<http://tv.somanuals.com>