



**Model No.
919.727121**

IMPORTANT:
Read the Safety Guidelines
and All Instructions Carefully
Before Operating

OWNERS MANUAL FOR CRAFTSMAN PERMANENTLY LUBRICATED TANK MOUNTED AIR COMPRESSOR

- SAFETY GUIDELINES
- ASSEMBLY
- OPERATION
- MAINTENANCE
- TROUBLESHOOTING
- REPAIR PARTS

Record in the spaces provided.

- (1) The Model Number can be found on the maintenance label on top of the motor shroud or on the bar code label on the rear of air tank.
- (2) The Date Code Number can be found on the bar code label on the rear of the air tank.
- (3) The Serial Number can be found on the bar code label on the rear of the tank.
- (4) The Tank Registration Number is located on the metal data plate which is welded onto the backside of the air tank. (This data plate is painted the same color as the tank.)

Retain these numbers for future reference.

Model No _____

Serial No _____

Date Code _____

Tank Registration No _____

Sold by Sears Canada, Inc., Toronto, Ont. M5B 2B8

TABLE OF CONTENTS

	Page		Page
WARRANTY	2	Extension Cords	8
SAFETY GUIDELINES-DEFINITIONS	2	Grounding Instructions	9
SAFETY GUIDELINES	3-5	Break-in Procedure	9
GENERAL INFORMATION	6	OPERATING PROCEDURES	10
GLOSSARY	6	MAINTENANCE	11
SPECIFICATION CHART	6	Check Valve -Replacement	11
DESCRIPTION OF OPERATION	7	Safety Valve - Inspection	11
TOOLS NEEDED FOR ASSEMBLY	7	Storage	11
ASSEMBLY	8	TROUBLESHOOTING GUIDE	12-13
INSTALLATION AND BREAK-IN PROCEDURES	8	AIR COMPRESSOR DIAGRAM	14
Location of Air Compressor	8	COMPRESSOR PUMP DIAGRAM	16
Lubrication and Oil	8	HOW TO ORDER REPAIR PARTS	18
Voltage and Circuit Protection	8		

FULL ONE YEAR WARRANTY ON AIR COMPRESSORS

If this air compressor fails due to a defect in material or workmanship within one year from the date of purchase, RETURN IT TO THE NEAREST SEARS SERVICE CENTER THROUGHOUT CANADA AND SEARS WILL REPAIR IT, FREE OF CHARGE.

If this air compressor is used for commercial or rental purposes, the warranty will apply for ninety days (90) from the date of purchase.

This Craftsman Air Compressor warranty gives you specific legal rights and you may have other rights which vary from province to province.

Sears Canada, Inc., Toronto, Ont. M5B 2B8

SAFETY GUIDELINES - DEFINITIONS

This manual contains information that is important for you to know and understand. This information relates to protecting **YOUR SAFETY** and **PREVENTING EQUIPMENT PROBLEMS**. To help you recognize this information, we use the symbols to the right. Please read the manual and pay attention to these sections.

⚠ DANGER

DANGER indicates an imminently hazardous situation which, if not avoided, will result in **death or serious injury**.

⚠ CAUTION

CAUTION indicates a potentially hazardous situation which, if not avoided, **may** result in **minor or moderate injury**.

⚠ WARNING

WARNING indicates a potentially hazardous situation which, if not avoided, **could** result in **death or serious injury**.

CAUTION

CAUTION used without the safety alert symbol indicates a potentially hazardous situation which, if not avoided, **may** result in **property damage**.

IMPORTANT SAFETY INSTRUCTIONS



SAVE THESE INSTRUCTIONS



⚠ WARNING

IMPROPER OPERATION OR MAINTENANCE OF THIS PRODUCT COULD RESULT IN SERIOUS INJURY AND PROPERTY DAMAGE. READ AND UNDERSTAND ALL WARNINGS AND OPERATING INSTRUCTIONS BEFORE USING THIS EQUIPMENT.

HAZARD

RISK OF EXPLOSION OR FIRE



WHAT CAN HAPPEN	HOW TO PREVENT IT
<p>IT IS NORMAL FOR ELECTRICAL CONTACTS WITHIN THE MOTOR AND PRESSURE SWITCH TO SPARK.</p> <p>IF ELECTRICAL SPARKS FROM COMPRESSOR COME INTO CONTACT WITH FLAMMABLE VAPORS, THEY MAY IGNITE, CAUSING FIRE OR EXPLOSION.</p> <p>RESTRICTING ANY OF THE COMPRESSOR VENTILATION OPENINGS WILL CAUSE SERIOUS OVERHEATING AND COULD CAUSE FIRE.</p>	<p>ALWAYS OPERATE THE COMPRESSOR IN A WELL VENTILATED AREA FREE OF COMBUSTIBLE MATERIALS, GASOLINE OR SOLVENT VAPORS.</p> <p>IF SPRAYING FLAMMABLE MATERIALS, LOCATE COMPRESSOR AT LEAST 20 FEET AWAY FROM SPRAY AREA. AN ADDITIONAL LENGTH OF HOSE MAY BE REQUIRED.</p> <p>STORE FLAMMABLE MATERIALS IN A SECURE LOCATION AWAY FROM COMPRESSOR.</p> <p>NEVER PLACE OBJECTS AGAINST OR ON TOP OF COMPRESSOR. OPERATE COMPRESSOR IN AN OPEN AREA AT LEAST 12 INCHES AWAY FROM ANY WALL OR OBSTRUCTION THAT WOULD RESTRICT THE FLOW OF FRESH AIR TO THE VENTILATION OPENINGS.</p> <p>OPERATE COMPRESSOR IN A CLEAN, DRY, WELL VENTILATED AREA. DO NOT OPERATE UNIT INDOORS OR IN ANY CONFINED AREA.</p>
<p>UNATTENDED OPERATION OF THIS PRODUCT COULD RESULT IN PERSONAL INJURY OR PROPERTY DAMAGE.</p>	<p>ALWAYS REMAIN IN ATTENDANCE WITH THE PRODUCT WHEN IT IS OPERATING.</p>

RISK OF BURSTING

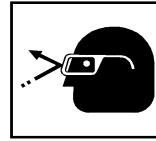


AIR TANK: THE FOLLOWING CONDITIONS COULD LEAD TO A WEAKENING OF THE TANK, AND RESULT IN A VIOLENT TANK EXPLOSION AND COULD CAUSE PROPERTY DAMAGE OR SERIOUS INJURY.

WHAT CAN HAPPEN	HOW TO PREVENT IT
<ol style="list-style-type: none"> FAILURE TO PROPERLY DRAIN CONDENSED WATER FROM THE TANK, CAUSING RUST AND THINNING OF THE STEEL TANK. MODIFICATIONS OR ATTEMPTED REPAIRS TO THE TANK. UNAUTHORIZED MODIFICATIONS TO THE UNLOADER VALVE, SAFETY VALVE, OR ANY OTHER COMPONENTS WHICH CONTROL TANK PRESSURE. EXCESSIVE VIBRATION CAN WEAKEN THE AIR TANK AND CAUSE RUPTURE OR EXPLOSION. <p><u>ATTACHMENTS & ACCESSORIES:</u></p> <p>EXCEEDING THE PRESSURE RATING OF AIR TOOLS, SPRAY GUNS, AIR OPERATED ACCESSORIES, TIRES AND OTHER INFLATABLES CAN CAUSE THEM TO EXPLODE OR FLY APART, AND COULD RESULT IN SERIOUS INJURY.</p>	<p>DRAIN TANK DAILY OR AFTER EACH USE. IF TANK DEVELOPS A LEAK, REPLACE IT IMMEDIATELY WITH A NEW TANK OR REPLACE THE ENTIRE COMPRESSOR.</p> <p>NEVER DRILL INTO, WELD, OR MAKE ANY MODIFICATIONS TO THE TANK OR ITS ATTACHMENTS.</p> <p>THE TANK IS DESIGNED TO WITHSTAND SPECIFIC OPERATING PRESSURES. NEVER MAKE ADJUSTMENTS OR PARTS SUBSTITUTIONS TO ALTER THE FACTORY SET OPERATING PRESSURES.</p> <p>FOR ESSENTIAL CONTROL OF AIR PRESSURE, YOU MUST INSTALL A PRESSURE REGULATOR AND PRESSURE GAUGE TO THE AIR OUTLET OF YOUR COMPRESSOR. FOLLOW THE EQUIPMENT MANUFACTURERS RECOMMENDATION AND NEVER EXCEED THE MAXIMUM ALLOWABLE PRESSURE RATING OF ATTACHMENTS. NEVER USE COMPRESSOR TO INFLATE SMALL LOW-PRESSURE OBJECTS SUCH AS CHILDREN'S TOYS, FOOTBALLS, BASKETBALLS, ETC.</p>

HAZARD

RISK FROM FLYING OBJECTS



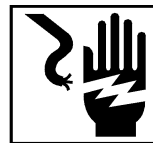
WHAT CAN HAPPEN	HOW TO PREVENT IT
<p>THE COMPRESSED AIR STREAM CAN CAUSE SOFT TISSUE DAMAGE TO EXPOSED SKIN AND CAN PROPEL DIRT, CHIPS, LOOSE PARTICLES AND SMALL OBJECTS AT HIGH SPEED, RESULTING IN PROPERTY DAMAGE OR PERSONAL INJURY.</p>	<p>ALWAYS WEAR ANSI Z87.1 APPROVED SAFETY GLASSES WITH SIDE SHIELDS WHEN USING THE COMPRESSOR.</p> <p>NEVER POINT ANY NOZZLE OR SPRAYER TOWARD ANY PART OF THE BODY OR AT OTHER PEOPLE OR ANIMALS.</p> <p>ALWAYS TURN THE COMPRESSOR OFF AND BLEED PRESSURE FROM THE AIR HOSE AND TANK BEFORE ATTEMPTING MAINTENANCE, ATTACHING TOOLS OR ACCESSORIES.</p>

RISK TO BREATHING



WHAT CAN HAPPEN	HOW TO PREVENT IT
<p>THE COMPRESSED AIR FROM YOUR COMPRESSOR IS NOT SAFE FOR BREATHING! THE AIR STREAM MAY CONTAIN CARBON MONOXIDE, TOXIC VAPORS OR SOLID PARTICLES FROM THE TANK.</p> <p>SPRAYED MATERIALS SUCH AS PAINT, PAINT SOLVENTS, PAINT REMOVER, INSECTICIDES, WEED KILLERS, CONTAIN HARMFUL VAPORS AND POISONS.</p>	<p>ALWAYS OPERATE AIR COMPRESSOR OUTSIDE IN A CLEAN, WELL VENTILATED AREA. AVOID ENCLOSED AREAS SUCH AS GARAGES, BASEMENTS, STORAGE SHEDS, WHICH LACK A STEADY EXCHANGE OF AIR. KEEP CHILDREN, PETS AND OTHERS AWAY FROM AREA OF OPERATION.</p> <p>NEVER INHALE AIR FROM THE COMPRESSOR EITHER DIRECTLY OR FROM A BREATHING DEVICE CONNECTED TO THE COMPRESSOR.</p> <p>WORK IN AN AREA WITH GOOD CROSS-VENTILATION. READ AND FOLLOW THE SAFETY INSTRUCTIONS PROVIDED ON THE LABEL OR SAFETY DATA SHEETS FOR THE MATERIAL YOU ARE SPRAYING. USE A NIOSH/MSHA APPROVED RESPIRATOR DESIGNED FOR USE WITH YOUR SPECIFIC APPLICATION.</p>

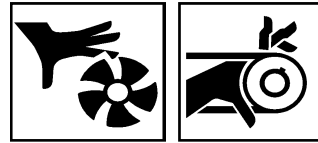
RISK OF ELECTRICAL SHOCK



WHAT CAN HAPPEN	HOW TO PREVENT IT
<p>YOUR AIR COMPRESSOR IS POWERED BY ELECTRICITY. LIKE ANY OTHER ELECTRICALLY POWERED DEVICE, IF IT IS NOT USED PROPERLY IT MAY CAUSE ELECTRIC SHOCK.</p> <p>REPAIRS ATTEMPTED BY UNQUALIFIED PERSONNEL CAN RESULT IN SERIOUS INJURY OR DEATH BY ELECTROCUTION.</p> <p>ELECTRICAL GROUNDING: FAILURE TO PROVIDE ADEQUATE GROUNDING TO THIS PRODUCT COULD RESULT IN SERIOUS INJURY OR DEATH FROM ELECTROCUTION. SEE GROUNDING INSTRUCTIONS.</p>	<p>NEVER OPERATE THE COMPRESSOR OUTDOORS WHEN IT IS RAINING OR IN WET CONDITIONS.</p> <p>NEVER OPERATE COMPRESSOR WITH COVER COMPONENTS REMOVED OR DAMAGED.</p> <p>ANY ELECTRICAL WIRING OR REPAIRS REQUIRED ON THIS PRODUCT SHOULD BE PERFORMED BY AUTHORIZED SERVICE CENTER PERSONNEL IN ACCORDANCE WITH NATIONAL AND LOCAL ELECTRICAL CODES.</p> <p>MAKE CERTAIN THAT THE ELECTRICAL CIRCUIT TO WHICH THE COMPRESSOR IS CONNECTED PROVIDES PROPER ELECTRICAL GROUNDING, CORRECT VOLTAGE AND ADEQUATE FUSE PROTECTION.</p>

HAZARD

RISK FROM MOVING PARTS



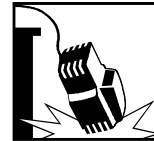
WHAT CAN HAPPEN	HOW TO PREVENT IT
<p>MOVING PARTS SUCH AS THE PULLEY, FLYWHEEL AND BELT CAN CAUSE SERIOUS INJURY IF THEY COME INTO CONTACT WITH YOU OR YOUR CLOTHING.</p> <p>ATTEMPTING TO OPERATE COMPRESSOR WITH DAMAGED OR MISSING PARTS OR ATTEMPTING TO REPAIR COMPRESSOR WITH PROTECTIVE SHROUDS REMOVED CAN EXPOSE YOU TO MOVING PARTS AND CAN RESULT IN SERIOUS INJURY.</p>	<p>NEVER OPERATE THE COMPRESSOR WITH GUARDS OR COVERS WHICH ARE DAMAGED OR REMOVED.</p> <p>ANY REPAIRS REQUIRED ON THIS PRODUCT SHOULD BE PERFORMED BY AUTHORIZED SERVICE CENTER PERSONNEL.</p>

RISK OF BURNS



WHAT CAN HAPPEN	HOW TO PREVENT IT
<p>TOUCHING EXPOSED METAL SUCH AS THE COMPRESSOR HEAD OR OUTLET TUBES, CAN RESULT IN SERIOUS BURNS.</p>	<p>NEVER TOUCH ANY EXPOSED METAL PARTS ON COMPRESSOR DURING OR IMMEDIATELY AFTER OPERATION. COMPRESSOR WILL REMAIN HOT FOR SEVERAL MINUTES AFTER OPERATION.</p> <p>DO NOT REACH AROUND PROTECTIVE SHROUDS OR ATTEMPT MAINTENANCE UNTIL UNIT HAS BEEN ALLOWED TO COOL.</p>

RISK OF FALLING



WHAT CAN HAPPEN	HOW TO PREVENT IT
<p>A PORTABLE COMPRESSOR CAN FALL FROM A TABLE, WORKBENCH OR ROOF CAUSING DAMAGE TO THE COMPRESSOR AND COULD RESULT IN SERIOUS INJURY OR DEATH TO THE OPERATOR.</p>	<p>ALWAYS OPERATE COMPRESSOR IN A STABLE SECURE POSITION TO PREVENT ACCIDENTAL MOVEMENT OF THE UNIT. NEVER OPERATE COMPRESSOR ON A ROOF OR OTHER ELEVATED POSITION. USE ADDITIONAL AIR HOSE TO REACH HIGH LOCATIONS.</p>

RISK OF PROPERTY DAMAGE WHEN TRANSPORTING COMPRESSOR (Fire, Inhalation, Damage to Vehicle Surfaces)



WHAT CAN HAPPEN	HOW TO PREVENT IT
<p>OIL CAN LEAK OR SPILL AND COULD RESULT IN FIRE OR BREATHING HAZARD, SERIOUS INJURY OR DEATH CAN RESULT. OIL LEAKS WILL DAMAGE CARPET, PAINT OR OTHER SURFACES IN VEHICLES OR TRAILERS.</p>	<p>ALWAYS PLACE COMPRESSOR ON A PROTECTIVE MAT WHEN TRANSPORTING TO PROTECT AGAINST DAMAGE TO VEHICLE FROM LEAKS. REMOVE COMPRESSOR FROM VEHICLE IMMEDIATELY UPON ARRIVAL AT YOUR DESTINATION.</p>

GENERAL INFORMATION

You have purchased an air compressor unit consisting of a one cylinder, single-stage air compressor pump and air tank. Included are wheels, regulator, and gauges.

This air compressor requires no oil. Now you can enjoy all the benefits of having an air compressor without ever having to purchase, add or change oil.

Your air compressor can be used for operating paint spray guns, air tools, blow guns, nailers/staplers, air brushes, and inflator kits. An air pressure regulator is required for most of the applications.

An in-line air filter which removes moisture and dirt from compressed air should be used where applicable.

An in-line regulator can be used if a more precise adjustment of air pressure is needed downstream.

GLOSSARY

CFM: Cubic Feet per Minute.

SCFM: Standard Cubic Feet per Minute; a unit of measure of air delivery.

PSI: Pounds per Square Inch; a unit of measure of pressure.

ASME: American Society of Mechanical Engineers; made, tested, inspected and registered to meet the standards of the ASME.

Cut-In Pressure: While the motor is off, air tank pressure drops as you continue to use your accessory. When the tank pressure drops to a certain low level and the pressure switch lever is in "Auto", the motor will restart automatically. The low pressure at which the motor automatically restarts is called "cut-in pressure."

Cut-Out Pressure: When you turn on your air compressor and it begins to run, air pressure in the air tank begins to build. It builds to a certain high pressure before the motor automatically shuts off - protecting your air tank from pressure higher than its capacity. The high pressure at which the motor shuts off is called "cut-out pressure."

CSA: Electrical products sold in Canada are required to be certified to the applicable CSA standard (s). Canadian Standards Association (CSA) is a standards writing and safety testing organization. Products that are CSA certified have been evaluated and tested and found to meet or exceed the applicable CSA standard (s) for safety and electrical performance.

SPECIFICATION CHART

Model No.	919.727121
Bore	1 7/8"
Stroke	1 1/4"
Voltage - Single Phase	120
Minimum Branch Circuit Requirement	10 amps
Fuse Type	Time Delay
Air Tank/Capacity	12 gal. (U.S.)
Approximate Cut-in Pressure	100
Approximate Cut-out Pressure	125
SCFM @ 40 psi	3.7
SCFM @ 90 psi	2.6

DESCRIPTION OF OPERATION

Air Compressor Pump: To compress air, the piston moves up and down in the cylinder. On the down-stroke, air is drawn in through the air intake valves. The exhaust valves remain closed. On the upstroke of the piston, air is compressed. The intake valves close and compressed air is forced out through the exhaust valves, through the outlet tube, through the check valve and into the air tank. Working air is not available until the compressor has raised the air tank pressure above that required at the air outlet.

Check Valve: When the air compressor is operating, the check valve is “open”, allowing compressed air to enter the air tank. When the air compressor reaches “cut-out” pressure, the check valve “closes”, allowing air pressure to remain inside the air tank.

Pressure Release Valve: The pressure release valve located on the side of the pressure switch, is designed to automatically release compressed air from the compressor head and the outlet tube when the air compressor reaches “cut-out” pressure or is shut off. If the air is not released, the motor will not be able to start. The pressure release valve allows the motor to restart freely. When the motor stops running, air will be heard escaping from the valve for a few seconds. No air should be leaking when the motor is running.

Pressure Switch: The pressure switch automatically starts the motor when the air tank pressure drops below the factory set “cut-in” pressure. It stops the motor when the air tank pressure reaches the factory set “cut-out” pressure.

Safety Valve: If the pressure switch does not shut off the air compressor at its cut-out pressure setting, the safety valve will protect the tank against high pressure by “popping out” at its factory set pressure (slightly higher than the pressure switch cut-out setting).

Regulator: The air pressure coming from the air tank is controlled by the regulator. Turn the regulator knob clockwise to increase pressure and counter-clockwise to decrease pressure. To avoid minor readjustment after making a change in pressure setting, always approach the desired pressure from a lower pressure. When reducing from a higher to a lower setting, first reduce to some pressure less than that desired, then bring up to the desired pressure. Depending on the air requirements of each particular accessory, the outlet regulated air pressure may have to be adjusted while operating the accessory.

Outlet Pressure Gauge: The outlet pressure gauge indicates the air pressure available at the outlet side of the regulator. This pressure is controlled by the regulator and is always less or equal to the tank pressure. See “Operating Procedures”.

Tank Pressure Gauge: The tank pressure gauge indicates the reserve air pressure in the tank.

Cooling System: This compressor contains an advanced design cooling system. At the heart of this cooling system is an engineered fan. It is perfectly normal for this fan to blow air through the vent holes in large amounts. You know that the cooling system is working when air is being expelled.

TOOLS NEEDED FOR ASSEMBLY

- a 9/16" socket or open end wrench for attaching the wheels
- a 3/8" open end wrench or socket to tighten handle screws

ASSEMBLY

Installing Wheels, Handles, Molded Foot Bumpers

⚠ CAUTION

THE WHEELS AND HANDLE DO NOT PROVIDE ADEQUATE CLEARANCE, STABILITY OR SUPPORT FOR PULLING THE UNIT UP AND DOWN STAIRS OR STEPS. THE UNIT MUST BE LIFTED, OR PUSHED UP A RAMP.

1. Attach the handle to the compressor saddle by inserting the handle inside the compressor saddle and lining up the bolt holes on each side. Install the two screws, one on each side. Tighten securely.

⚠ CAUTION

It will be necessary to brace or support one side of the outfit when installing the wheels because the compressor will have a tendency to tip over.

2. Install one shoulder bolt and one nut for each wheel. Tighten securely. The outfit will sit level if the wheels are properly installed.
3. Clean and dry underside of air tank leg opposite wheels. Remove the protective strip from the adhesive backed molded foot bumpers. Attach the foot bumpers to the bottom of leg on each end. Press firmly into place.

INSTALLATION AND BREAK-IN PROCEDURES

Location of the Air Compressor

Locate the air compressor in a clean, dry and well ventilated area. The air compressor should be located at least 12" away from the wall or other obstructions that will interfere with the flow of air. The air compressor pump and shroud are designed to allow for proper cooling. The ventilation openings on the compressor are necessary to maintain proper operating temperature. Do not place rags or other containers on or near these openings.

Lubrication and Oil

This unit needs no lubrication or oiling.

Voltage and Circuit Protection

Refer to your Parts List Manual for the voltage and circuit protection requirements of your compressor. Use only a fuse or circuit breaker that is the same rating as the branch circuit the air compressor is operated on. If the compressor is connected to a circuit protected by fuses, use only dual element time delay fuses, as noted in that Service Bulletin.

Refer to Parts List Manual for your compressor. Certain air compressor models can be operated on a 15 amp circuit if:

1. Voltage supply to circuit is normal.

2. Circuit is not used to supply any other electrical needs (lights, appliances, etc.).
3. Extension cords comply with specifications.
4. Circuit is equipped with a 15 amp circuit breaker or 15 amp time delay fuse.

If any of the above conditions cannot be met, or if operation of the compressor repeatedly causes interruption of the power, it may be necessary to operate it from a 20 amp circuit. It is not necessary to change the cord set.

Extension Cords

Use extra air hose instead of an extension cord to avoid voltage drop and power loss to the motor, and to prevent overheating.

If an extension cord must be used, be sure it is:

- a 3-wire extension cord that has a 3-blade grounding plug, and a 3-slot receptacle that will accept the plug on the product
- in good condition
- no longer than 50 feet
- 12 gauge (AWG) or larger. (Wire size increases as gauge number decreases. 10 AWG and 8 AWG may also be used. DO NOT USE 14 OR 16 AWG.)

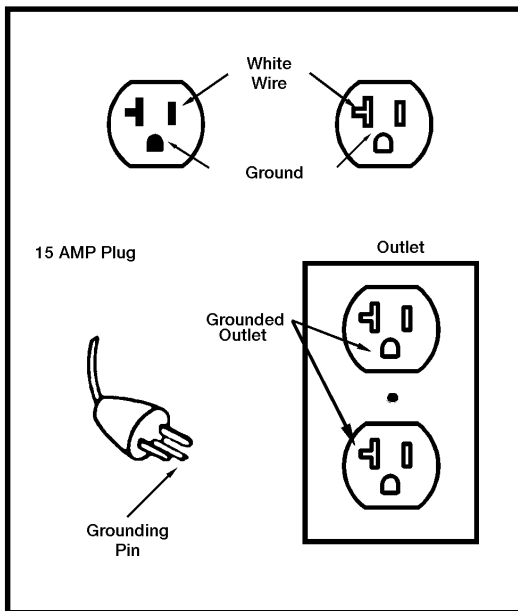
GROUNDING INSTRUCTIONS

⚠ WARNING

RISK OR ELECTRICAL SHOCK. In the event of a short circuit, grounding reduces the risk of shock by providing an escape wire for the electric current. This air compressor must be properly grounded.

The portable air compressor is equipped with a cord having a grounding wire with an appropriate grounding plug. The plug must be used with an outlet that has been installed and grounded in accordance with all local codes and ordinances. The outlet must have the same configuration as the plug. **DO NOT USE AN ADAPTER TO DEFEAT THE GROUNDING FEATURE OF THE PLUG.**

Inspect the plug and cord before each use. Do not use if there are signs of damage.



⚠ DANGER

IMPROPER GROUNDING CAN RESULT IN ELECTRICAL SHOCK.

Do not modify the plug that has been provided. If it does not fit the available outlet, the correct outlet should be installed by a qualified electrician.

If repairing cord or plug, the grounding wire must be kept separate from the current-carrying wires. Never connect the grounding wire to a flat blade plug terminal. The grounding wire has insulation with an outer surface that is green - with or without yellow stripes.

If these grounding instructions are not completely understood, or if in doubt as to whether the compressor is properly grounded, have the installation checked by a qualified electrician.

Break-in Procedure

⚠ CAUTION

Serious damage may result if the following break-in instructions are not closely followed.

This procedure is required only once, before the air compressor is put into service.

1. Set the pressure switch **OFF/AUTO** lever in the **"OFF"** position.
2. Plug the power cord into the correct branch circuit receptacle.
3. Turn the regulator clockwise, opening it fully, to prevent air pressure build-up in the tank.
4. Move the OFF/AUTO lever to "AUTO". The compressor will start.
5. Run the compressor for 15 minutes. Make sure the regulator is open and there is no tank pressure build-up.
6. After 15 minutes, close the regulator by turning it counterclockwise. The air tank will fill to cut-out pressure and then the motor will stop.

Refer to "Operating Procedures".

OPERATING PROCEDURES

1. Before attaching air hose or accessories, make sure the OFF/AUTO lever is set to "OFF" and the air regulator is closed.
2. Attach hose and accessories.

⚠ WARNING

TOO MUCH AIR PRESSURE CREATES A HAZARDOUS RISK OF BURSTING. CAREFULLY FOLLOW STEPS 3 AND 5 EACH TIME THE COMPRESSOR IS USED.

⚠ CAUTION

Compressed air from the outfit may contain water condensation. Do not spray unfiltered air at an item that could be damaged. Some air operated tools or devices may require filtered air. Read the instructions for the air tool or device.

3. Check the manufacturer's maximum pressure rating for air tools and accessories. The regulator outlet pressure must never exceed the maximum pressure rating. If your compressor is not supplied with a regulator with gauge, install one before using accessories.
4. Turn the OFF/AUTO lever to "AUTO" and allow tank pressure to build. Motor will stop when tank pressure reaches "cut-out" pressure.
5. Open the regulator by turning it clockwise. Adjust the regulator to the correct pressure setting. Your compressor is ready for use.

6. Always operate the air compressor in well-ventilated areas; free of gasoline or other solvent vapors.
Do not operate the compressor near the spray area.

When you are finished:

7. Set the "OFF/AUTO" lever to "OFF".
8. Turn the regulator counterclockwise and set the outlet pressure to zero.
9. Remove the air tool or accessory.
10. Open the regulator and allow the air to slowly bleed from the tank. Close the regulator when tank pressure is approximately 20 psi.
11. Drain water from air tank.

⚠ WARNING

WATER WILL CONDENSE IN THE AIR TANK. IF NOT DRAINED, WATER WILL CORRODE AND WEAKEN THE AIR TANK CAUSING A RISK OF AIR TANK RUPTURE.

With tank pressure at approximately 20 psi, open the drain cock or drain valve.

NOTE:

If drain cock valve is plugged, release all air pressure. The valve can then be removed, cleaned, then reinstalled.

12. After the water has been drained, close drain cock or drain valve. The air compressor can now be stored.

MAINTENANCE

⚠ WARNING

UNIT CYCLES AUTOMATICALLY WHEN POWER IS ON. WHEN DOING MAINTENANCE, YOU MAY BE EXPOSED TO VOLTAGE SOURCES, COMPRESSED AIR OR MOVING PARTS. PERSONAL INJURIES CAN OCCUR. BEFORE PERFORMING ANY MAINTENANCE OR REPAIR, UNPLUG THE COMPRESSOR AND BLEED OFF ALL AIR PRESSURE.

ALL MAINTENANCE AND REPAIR OPERATIONS NOT LISTED MUST BE DONE BY QUALIFIED SERVICE PERSONNEL.

Check Valve - Replacement

⚠ WARNING

Before servicing:

- **Unplug or disconnect electrical supply to compressor.**
 - **Bleed tank of pressure.**
 - **Allow compressor to cool.**
1. Release all air pressure from air tank and unplug outfit.
 2. Loosen the bottom nut and move the outlet tube to the side.
 3. Unscrew the check valve (turn counterclockwise) using a socket wrench.
 4. Check that the valve disc moves freely inside the check valve and that the spring holds the disc in the upper, closed position. The check valve may be cleaned with a solvent, such as paint and varnish remover.
 5. Apply sealant to the check valve threads. Reinstall the check valve (turn clockwise).
 6. Replace the outlet tube and tighten the bottom nut.

Safety Valve - Inspection

⚠ WARNING

If the safety valve does not work properly, over-pressurization may occur, causing air tank rupture or an explosion. Before starting compressor, pull the ring on the safety valve to make sure that the safety valve operates freely. If the valve is stuck or does not operate smoothly, it must be replaced with the same type of valve.

Storage

Before you store the air compressor, make sure you do the following:

1. Review the "Maintenance" and "Operating Procedures" sections and perform maintenance as necessary. Be sure to drain water from the air tank.
2. Protect the electrical cord and air hose from damage (such as being stepped on or run over). Wind them loosely around the compressor handle.

Store the air compressor in a clean and dry location.

TROUBLESHOOTING GUIDE

⚠ WARNING

PERFORMING REPAIRS MAY EXPOSE VOLTAGE SOURCES, MOVING PARTS OR COMPRESSED AIR SOURCES. PERSONAL INJURY MAY OCCUR. PRIOR TO ATTEMPTING ANY REPAIRS, UN-PLUG THE COMPRESSOR AND BLEED OFF TANK AIR PRESSURE.

PROBLEM	CAUSE	CORRECTION
Excessive tank pressure - safety valve pops off.	<p>Pressure switch does not shut off motor when compressor reaches “cut-out” pressure.</p> <p>Pressure switch “cut-out” too high.</p>	<p>Move the pressure switch lever to the “OFF” position. If the outfit doesn’t shut off, and the electrical contacts are welded together, replace the pressure switch.</p> <p>Return the outfit to Sears Service Center to check and adjust, or replace switch.</p>
Air leaks at fittings.	<p>Tube fittings are not tight enough.</p>	<p>Tighten fittings where air can be heard escaping. Check fittings with soapy water solution. DO NOT OVERTIGHTEN.</p>
Air leaks at pressure switch release valve.	<p>Defective pressure switch release valve.</p> <p>Defective flapper valve in manifold.</p> <p>Check valve seat damaged.</p>	<p>Remove and replace the release valve.</p> <p>Check to see if the pin in the bottom of the pressure release valve is stuck. If it does not move freely, replace the valve.</p> <p>A defective flapper valve results in a constant air leak at the pressure release valve when there is pressure in the tank and the compressor is shut off. Remove and clean or replace valve.</p> <p>Inspect and replace upper manifold assembly.</p>
Air leaks in air tank or at air tank welds.	<p>Defective air tank.</p>	<p>Air tank must be replaced. Do not repair the leak.</p> <div style="text-align: center; margin-top: 10px;"> <p style="background-color: black; color: white; padding: 2px 5px;">⚠ WARNING</p> <p>DO NOT DRILL INTO, WELD OR OTHERWISE MODIFY AIR TANK OR IT WILL WEAKEN. THE TANK CAN RUPTURE OR EXPLODE.</p> </div>
Air leaks between head and valve plate.	<p>Leaking seal.</p>	<p>Torque head screws to 8 ft. lbs. If this does not stop leak, replace seal.</p>
Pressure reading on the regulated pressure gauge drops when an accessory is used.	<p>It is normal for “some” pressure drop to occur.</p>	<p>If there is an excessive amount of pressure drop when the accessory is used, adjust the regulator following the instructions on page 7.</p> <p style="text-align: center; margin-top: 10px;">NOTE</p> <p style="text-align: center;">Adjust the regulated pressure under flow conditions (while accessory is being used).</p>

TROUBLESHOOTING GUIDE (Continued)

PROBLEM	CAUSE	CORRECTION
Air leak from safety valve.	Possible defect in safety valve.	Operate safety valve manually by pulling on ring. If valve still leaks, it should be replaced.
Knocking Noise	Defective check valve.	Have checked at local Sears Service Center.
Compressor is not supplying enough air to operate accessories.	<p>Prolonged excessive use of air.</p> <p>Compressor is not large enough for air requirement.</p> <p>Restricted air intake filter.</p> <p>Hole in hose.</p> <p>Check valve restricted.</p> <p>Air leaks.</p>	<p>Decrease amount of air usage.</p> <p>Check the accessory air requirement. If it is higher than the SCFM or pressure supplied by your air compressor, you need a larger compressor.</p> <p>Clean or replace air intake filter. Do not operate the air compressor in the paint spray area.</p> <p>Check and replace if required.</p> <p>Remove and clean, or replace.</p> <p>Tighten fittings. (See Air Leaks Section of Troubleshooting Guide.)</p>
Motor will not run.	<p>Fuse blown, circuit breaker tripped.</p> <p>Extension cord is wrong length or gauge.</p> <p>Loose electrical connections.</p> <p>Faulty motor.</p>	<p>Check fuse box for blown fuse and replace as necessary. Reset circuit breaker. Do not use a fuse or circuit breaker with higher rating than that specified for your particular branch circuit.</p> <p>Check for proper fuse. You should be using a Quick Acting fuse.</p> <p>Check for low voltage problem.</p> <p>Check for the extension cord.</p> <p>Disconnect the other electrical appliances from circuit or operate the compressor on its own branch circuit.</p> <p>Check the extension cord.</p> <p>Check wiring connection inside terminal box.</p> <p>Have checked at local Sears Service Center.</p>
Regulator knob continuous air leak. Regulator will not shut off at air outlet.	Dirty or damaged regulator internal parts.	Clean or replace regulator, or internal parts.

SEARS

CRAFTSMAN®

**Model No.
919.727121**

SERVICE

**HOW TO ORDER
REPAIR PARTS**

OWNERS MANUAL FOR

PERMANENTLY LUBRICATED TANK MOUNTED AIR COMPRESSOR

The model number of your Sears Air Compressor can be found on the maintenance label on the top of the shroud or on the bar code label on the rear of the air tank.

SERVICE AND REPAIR PARTS CALL 1-800-665-4455*

Keep this number handy should you require a service call or need to order repair parts.

If ordering parts make sure you have the name, make and model no. of the merchandise and the name and number of the part you wish to order.

***If calling locally, please use one of the following numbers:**

Regina - 566-5124	Montreal - 333-5740
Toronto - 744-4900	Halifax - 454-2444
Kitchener - 894-7590	Ottawa - 738-4440
Vancouver - 420-8211	

WHEN ORDERING REPAIR PARTS, ALWAYS GIVE THE FOLLOWING INFORMATION:

- PART NUMBER
- PART DESCRIPTION
- MODEL NUMBER
- NAME OF ITEM

All parts listed may be ordered from any Sears Service Center and most Sears stores.

If the parts you need are not stocked locally, your order will be electronically transmitted to a Sears Repair Parts Distribution Center for handling.

Sold By Sears Canada, Inc., Toronto, Ont. M5B 2B8

SEARS

CRAFTSMAN®

**Modèle n°.
919.727121**

IMPORTANT :
Lire attentivement toutes les instructions et les mesures de sécurité avant d'utiliser l'appareil.

GUIDE DE L'UTILISATEUR POUR LE COMPRESSEUR D'AIR À LUBRIFICATION PERMANENTE MONTÉ SUR RÉSERVOIR DE CRAFTSMAN

- MESURES DE SÉCURITÉ
- ASSEMBLAGE
- FONCTIONNEMENT
- ENTRETIEN
- GUIDE DE DÉPANNAGE
- PIÈCES DE RECHANGE

Inscrivez dans l'espace réservé à cette fin

- 1) Le numéro du modèle se trouve sur l'étiquette d'entretien qui est sur le dessus du carter du moteur ou sur l'étiquette de caractères à bâtonnets située à l'arrière du réservoir d'air.
- 2) Le numéro de code daté se trouve sur l'étiquette de caractères à bâtonnets située à l'arrière du réservoir d'air.
- 3) Le numéro de série se trouve sur l'étiquette de caractères à bâtonnets située à l'arrière du réservoir d'air.
- 4) Le numéro d'enregistrement du réservoir se trouve sur la plaque signalétique de métal soudée à l'arrière du réservoir d'air. (Cette plaque signalétique est peinte de la même couleur que le réservoir.

Conservez ces numéros pour référence ultérieure.

Modèle n° : _____

Numéro de série : _____

Code daté : _____

Enregistrement du réservoir n° : _____

Vendu par Sears Canada, Inc., Toronto, Ont. M5B 2B8

TABLE DES MATIÈRES

GARANTIE	2	Tension et protection du circuit	8
MESURES DE SÉCURITÉ - DÉFINITIONS	2	Rallonges	8
MESURES DE SÉCURITÉ	3-5	Directives de mise à la terre	9
RENSEIGNEMENTS GÉNÉRAUX	6	Procédures de mise en route	9
LEXIQUE	6	PROCÉDURES OPÉRATIONNELLES	10
TABLEAU DES SPÉCIFICATIONS	6	ENTRETIEN	11
DESCRIPTION DU MODE OPÉRATIONNEL	7	Soupape de retenue – Remplacement	11
OUTILS REQUIS À L'INSTALLATION	7	Soupape de sûreté - Vérification	11
ASSEMBLAGE	8	Entreposage	11
INSTALLATION ET PROCÉDURES		GUIDE DE DÉPANNAGE	12-13
DE MISE EN ROUTE	8	DIAGRAMME DU COMPRESSEUR D'AIR	14
Emplacement du compresseur d'air	8	DIAGRAMME DE LA POMPE DU COMPRESSEUR ...	16
Lubrification et huile	8	COMMENT PLACER UNE COMMANDE	
		DE PIÈCES DE RECHANGE	18

GARANTIE COMPLÈTE DE UN AN SUR LES COMPRESSEURS D'AIR

Ce compresseur d'air est garanti contre tout défaut de fabrication pour une période de un an, à compter de la date d'achat. Au cours de cette période de garantie, SEARS S'ENGAGE À LE RÉPARER SANS FRAIS. IL SUFFIT DE LE RETOURNER AU CENTRE DE SERVICE APRÈS-VENTE SEARS LE PLUS PROCHE. LES CENTRES DE SERVICE APRÈS-VENTE SONT RÉPARTIS DANS TOUT LE CANADA.

Cette garantie ne s'applique que pour une période de quatre-vingt-dix (90) jours seulement, à compter de la date d'achat, sur un compresseur qui est utilisé à des fins commerciales ou comme appareil de location

Cette garantie sur le compresseur d'air de Craftsman vous donne des droits particuliers. Il se peut que vous ayez d'autres droits qui varient d'une province à l'autre.

Sears Canada, Inc., Toronto, Ont. M5B 2B8

MESURES DE SÉCURITÉ - DÉFINITIONS

Ce guide contient des renseignements importants que vous devez bien saisir. Cette information porte sur **VOTRE SÉCURITÉ** et sur **LA PRÉVENTION DE PROBLÈMES D'ÉQUIPEMENT**. Afin de vous aider à identifier cette information, nous avons utilisé des signes de danger plus bas. Veuillez lire attentivement ce guide en portant une attention particulière à ces sections. **CONSERVEZ CES DÉFINITIONS/INSTRUCTIONS.**

DANGER

DANGER : Indique un danger imminent qui, s'il n'est pas évité, causera de graves blessures ou la mort.

MISE EN GARDE

MISE EN GARDE : Indique la possibilité d'un danger qui, s'il n'est pas évité peut causer des blessures mineures ou moyennes.

AVERTISSEMENT

AVERTISSEMENT : Indique la possibilité d'un danger qui, s'il n'est pas évité, pourrait causer de graves blessures ou la mort.

MISE EN GARDE

MISE EN GARDE (sans le symbole d'attention) : Indique la possibilité d'un danger qui, s'il n'est pas évité, peut causer des dommages à la propriété.

MESURES DE SÉCURITÉ IMPORTANTES



CONSERVER CES DIRECTIVES



AVERTISSEMENT

UN EMPLOI OU UN ENTRETIEN NON APPROPRIÉS DE CE PRODUIT PEUT CAUSER DES BLESSURES GRAVES ET DES DOMMAGES À LA PROPRIÉTÉ. LIRE ATTENTIVEMENT TOUS LES AVERTISSEMENTS ET LES DIRECTIVES D'UTILISATION AVANT D'UTILISER CET APPAREIL.

DANGER

RISQUE D'EXPLOSION OU D'INCENDIE



RISQUE	PRÉVENTION
<p>LES ÉTINCELLES QUI PROVIENNENT DES CONTACTS ÉLECTRIQUES DU MOTEUR ET DU MANOSTAT SONT CONSIDÉRÉES NORMALES.</p> <p>SI DES ÉTINCELLES ÉLECTRIQUES DU COMPRESSEUR ENTRENT EN CONTACT AVEC DES VAPEURS INFLAMMABLES, ELLES PEUVENT S'ENFLAMMER, PROVOQUANT UN INCENDIE OU UNE EXPLOSION.</p> <p>TOUTE OBSTRUCTION DES ORIFICES D'AÉRATION DU COMPRESSEUR ENTRAÎNERA UNE SURCHAUFFE DANGEREUSE ET RISQUE DE CAUSER UN INCENDIE.</p> <p>SI CET APPAREIL FONCTIONNE SANS SUPERVISION, CELA RISQUE DE CAUSER DES BLESSURES GRAVES OU DES DOMMAGES À LA PROPRIÉTÉ.</p>	<p>TOUJOURS UTILISER LE COMPRESSEUR DANS UN ENDROIT BIEN AÉRÉ, LOIN DE TOUTE MATIÈRE COMBUSTIBLE ET DES VAPEURS D'ESSENCE OU DE SOLVANTS.</p> <p>SI DES MATIÈRES INFLAMMABLES DOIVENT ÊTRE VAPORISÉES, SITUER LE COMPRESSEUR À UNE DISTANCE D'AU MOINS 20 PIEDS DE LA ZONE DE VAPORISATION. IL PEUT S'AVÉRER NÉCESSAIRE D'UTILISER UN BOYAU SUPPLÉMENTAIRE.</p> <p>ENTREPOSER LES MATIÈRES INFLAMMABLES DANS UN ENDROIT SÉCURITAIRE, LOIN DU COMPRESSEUR.</p> <p>NE JAMAIS PLACER DES OBJETS CONTRE OU SUR LE COMPRESSEUR. UTILISER LE COMPRESSEUR DANS UN ENDROIT OUVERT, À AU MOINS 12 POUCHES (30 cm) DE TOUT MUR OU OBSTRUCTION QUI RÉDUIT LE DÉBIT D'AIR FRAIS VERS LES ORIFICES D'AÉRATION.</p> <p>UTILISER LE COMPRESSEUR DANS UN ENDROIT PROPRE. NE PAS UTILISER L'APPAREIL À L'INTÉRIEUR OU DANS UN ENDROIT CLOS.</p> <p>TOUJOURS RESTER À PROXIMITÉ DE L'APPAREIL LORSQU'IL EST EN FONCTION.</p>

RISQUE D'ÉCLATEMENT

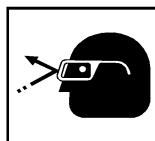


RÉSERVOIR D'AIR : LES CONDITIONS SUIVANTES PEUVENT AFFAIBLIR LES PAROIS DU RÉSERVOIR ET PROVOQUER UNE EXPLOSION VIOLENTE DU RÉSERVOIR QUI RISQUE DE CAUSER DES DOMMAGES À LA PROPRIÉTÉ OU DES BLESSURES GRAVES.

RISQUE	PRÉVENTION
<p>1. LE DÉFAUT DE VIDANGER DE FAÇON APPROPRIÉE L'EAU CONDENSÉE DANS LE RÉSERVOIR RISQUE DE CAUSER LA ROUILLE ET L'AMINCISSEMENT DES PAROIS EN ACIER DU RÉSERVOIR.</p> <p>2. DES MODIFICATIONS OU TENTATIVES DE RÉPARATION FAITES SUR LE RÉSERVOIR.</p> <p>3. DES MODIFICATIONS NON AUTORISÉES APPORTÉES À LA SOUPAPE DE DÉCHARGE, À LA SOUPAPE DE SÛRETÉ OU À TOUTE AUTRE COMPOSANTE QUI CONTRÔLE LA PRESSION DU RÉSERVOIR.</p> <p>4. DES VIBRATIONS EXCESSIVES PEUVENT AFFAIBLIR LE RÉSERVOIR ET CAUSER UNE RUPTURE OU UNE EXPLOSION. DES VIBRATIONS EXCESSIVES SERONT PRODUITES SI LE COMPRESSEUR N'EST PAS FIXÉ DE FAÇON APPROPRIÉE.</p> <p>FIXATIONS ET ACCESSOIRES : LE FAIT D'EXCÉDER LA PRESSION NOMINALE DES OUTILS PNEUMATIQUES, PISTOLETS PULVÉRISATEURS, ACCESSOIRES PNEUMATIQUES, PNEUS ET AUTRES OBJETS GONFLABLES RISQUE DE PROVOQUER L'EXPLOSION DE CES DERNIERS ET LA PROJECTION DE PIÈCES, CE QUI RISQUE DE CAUSER DE GRAVES BLESSURES.</p>	<p>PURGER LE RÉSERVOIR QUOTIDIENNEMENT OU APRÈS CHAQUE UTILISATION. SI LE RÉSERVOIR ACCUSE UNE FUITE, LE REMPLACER IMMÉDIATEMENT PAR UN NOUVEAU RÉSERVOIR OU REMPLACER LE COMPRESSEUR AU COMPLET.</p> <p>NE JAMAIS PERFORER AVEC UNE PERCEUSE, SOUDER OU FAIRE UNE MODIFICATION QUELCONQUE AU RÉSERVOIR OU À SES ACCESSOIRES.</p> <p>LE RÉSERVOIR EST CONÇU POUR SUBIR DES PRESSIONS DE SERVICE PARTICULIÈRES. NE JAMAIS EFFECTUER DES RÉGLAGES NI SUBSTITUER DES PIÈCES POUR MODIFIER LES PRESSIONS DE SERVICE ÉTABLIES À L'USINE.</p> <p>POUR LE CONTRÔLE ESSENTIEL DE LA PRESSION D'AIR, IL FAUT POSER UN RÉGULATEUR DE PRESSION ET UN MANOMÈTRE À LA SORTIE D'AIR DU COMPRESSEUR. SUIVRE LES RECOMMANDATIONS DU FABRICANT DE L'ÉQUIPEMENT ET NE JAMAIS EXCÉDER LA VALEUR NOMINALE DE PRESSION SPÉCIFIÉE DES ACCESSOIRES. NE JAMAIS UTILISER LE COMPRESSEUR POUR GONFLER DES OBJETS À FAIBLE PRESSION, TELS QUE LES JOUETS D'ENFANT, LES BALLONS DE FOOTBALL OU DE BASKET-BALL, ETC.</p>

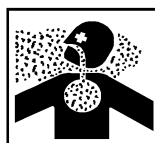
DANGER

RISQUE DE PROJECTION D'OBJETS



RISQUE	PRÉVENTION
<p>LE JET D'AIR COMPRIMÉ PEUT CAUSER DES LÉSIONS AUX TISSUS DE LA PEAU EXPOSÉE ET PEUT PROJETER DE LA SALETÉ, DES COPEAUX, DES PARTICULES LIBRES ET DE PETITS OBJETS À HAUTE VITESSE, CE QUI RISQUE DE CAUSER DES DOMMAGES À LA PROPRIÉTÉ OU DES BLESSURES.</p>	<p>PORTER TOUJOURS DES LUNETTES DE PROTECTION HOMOLOGUÉES ANSI Z87.1 AVEC DES ÉCRANS LATÉRAUX LORS DE L'UTILISATION DU COMPRESSEUR.</p> <p>NE JAMAIS DIRIGER LA BUSE OU LE PULVÉRISATEUR VERS SOI, VERS D'AUTRES PERSONNES OU VERS DES ANIMAUX.</p> <p>TOUJOURS METTRE LE COMPRESSEUR HORS FONCTION ET PURGER LA PRESSION DU BOYAU D'AIR ET DU RÉSERVOIR AVANT D'ENTAMER L'ENTRETIEN OU D'ATTACHER DES OUTILS OU ACCESSOIRES.</p>

RISQUE PAR INHALATION



RISQUE	PRÉVENTION
<p>L'AIR COMPRIMÉ DE VOTRE COMPRESSEUR D'AIR N'EST PAS SÉCURITAIRE POUR L'INHALATION. LE JET D'AIR PEUT CONTENIR DU MONOXYDE DE CARBONE, DES VAPEURS TOXIQUES OU DES PARTICULES SOLIDES DU RÉSERVOIR.</p> <p>LES MATIÈRES VAPORISÉES TELLES QUE LA PEINTURE, LES SOLVANTS DE PEINTURE, LES DÉCAPANTS, LES INSECTICIDES ET LES HERBICIDES CONTIENNENT DES VAPEURS NOCIVES ET TOXIQUES.</p>	<p>TOUJOURS UTILISER LE COMPRESSEUR D'AIR À L'EXTÉRIEUR, DANS UN ENDROIT PROPRE ET BIEN AÉRÉ. ÉVITER DES ENDROITS CLOS TELS QUE GARAGES, SOUS-SOLS ET HANGARS D'ENTREPOSAGE QUI NE SONT PAS DOTÉS DE SYSTÈMES D'ÉCHANGE D'AIR. GARDER LES ENFANTS, LES ANIMAUX DOMESTIQUES ET AUTRES, LOIN DE LA ZONE DE TRAVAIL.</p> <p>NE JAMAIS INHALER L'AIR ÉMIS PAR LE COMPRESSEUR, QUE CE SOIT DIRECTEMENT OU AU MOYEN D'UN DISPOSITIF RESPIRATEUR BRANCHÉ AU COMPRESSEUR.</p> <p>TRAVAILLER DANS UN ENDROIT OÙ IL Y A UNE BONNE VENTILATION TRANSVERSALE. BIEN LIRE ET RESPECTER LES DIRECTIVES DE SÉCURITÉ INDIQUÉES SUR L'ÉTIQUETTE OU LA FICHE SIGNALÉTIQUE DE LA MATIÈRE QUI EST VAPORISÉE. PORTER UN RESPIRATEUR HOMOLOGUÉ PAR LE NIOSH/MSHA ET CONÇU POUR L'APPLICATION EN QUESTION.</p>

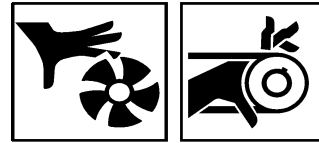
RISQUE DE CHOC ÉLECTRIQUE



RISQUE	PRÉVENTION
<p>VOTRE COMPRESSEUR D'AIR EST ALIMENTÉ PAR ÉLECTRICITÉ. COMME AVEC TOUS LES APPAREILS ÉLECTRIQUES, SI L'APPAREIL N'EST PAS UTILISÉ DE FAÇON APPROPRIÉE, IL PEUT CAUSER DES CHOCs ÉLECTRIQUES.</p> <p>TOUTE RÉPARATION EFFECTUÉE PAR UNE PERSONNE NON QUALIFIÉE PEUT ENTRAÎNER DES BLESSURES GRAVES OU LA MORT PAR ÉLECTROCUTION.</p> <p>MISE À LA TERRE : LE DÉFAUT D'ÉTABLIR UNE MISE À LA TERRE APPROPRIÉE POUR CET APPAREIL PEUT ENTRAÎNER DES BLESSURES GRAVES OU LA MORT PAR ÉLECTROCUTION. VOIR LES DIRECTIVES DE MISE À LA TERRE.</p>	<p>NE JAMAIS FAIRE FONCTIONNER LE COMPRESSEUR À L'EXTÉRIEUR LORSQU'IL PLEUT OU DANS DES CONDITIONS HUMIDES.</p> <p>NE JAMAIS FAIRE FONCTIONNER LE COMPRESSEUR SANS LES COUVERCLES OU LORSQUE CEUX-CI SONT ENDOMMAGÉS.</p> <p>TOUT CÂBLAGE ÉLECTRIQUE OU TOUTE RÉPARATION REQUIS SUR CET APPAREIL DEVRAIT ÊTRE EFFECTUÉ PAR LE PERSONNEL D'UN CENTRE DE SERVICE APRÈS-VENTE AUTORISÉ, CONFORMÉMENT AUX CODES ÉLECTRIQUES NATIONAUX ET LOCAUX.</p> <p>S'ASSURER QUE LE CIRCUIT ÉLECTRIQUE ALIMENTANT LE COMPRESSEUR FOURNIT UNE MISE À LA TERRE ÉLECTRIQUE APPROPRIÉE, UNE TENSION APPROPRIÉE ET UNE PROTECTION ADÉQUATE PAR FUSIBLES.</p>

DANGER

RISQUE RELIÉ AUX PIÈCES MOBILES



RISQUE	PRÉVENTION
<p>LES PIÈCES MOBILES TELLES QUE LA POULIE, LE VOLANT-MOTEUR ET LA COURROIE PEUVENT ENTRAÎNER DES BLESSURES GRAVES SI ELLES ENTRENT EN CONTACT AVEC UNE PARTIE DU CORPS OU DES VÊTEMENTS.</p> <p>EN TENTANT DE FAIRE FONCTIONNER LE COMPRESSEUR AVEC DES PIÈCES MANQUANTES OU ENDOMMAGÉES, OU DE RÉPARER LE COMPRESSEUR SANS LES GARDES DE PROTECTION, ON S'EXPOSE AUX PIÈCES MOBILES, CE QUI PEUT ENTRAÎNER DES BLESSURES GRAVES.</p>	<p>NE JAMAIS FAIRE FONCTIONNER LE COMPRESSEUR SANS LES GARDES OU LES COUVERCLES OU LORSQUE CEUX-CI SONT ENDOMMAGÉS.</p> <p>TOUTE RÉPARATION REQUISE SUR CET APPAREIL DEVRAIT ÊTRE EFFECTUÉE PAR LE PERSONNEL D'UN CENTRE DE SERVICE APRÈS-VENTE AUTORISÉ.</p>

RISQUE DE BRÛLURES



RISQUE	PRÉVENTION
<p>LE FAIT DE TOUCHER AUX SURFACES DE MÉTAL EXPOSÉES TELLES QUE LA TÊTE DU COMPRESSEUR OU LES TUBES DE SORTIE PEUT CAUSER DE GRAVES BRÛLURES À LA PEAU.</p> <p>LA TÊTE DU COMPRESSEUR ET LES TUBES DEVIENNENT TRÈS CHAUDS LORS DU FONCTIONNEMENT.</p>	<p>NE JAMAIS TOUCHER AUX PIÈCES DE MÉTAL EXPOSÉES DU MOTEUR OU DU COMPRESSEUR DURANT OU IMMÉDIATEMENT APRÈS LE FONCTIONNEMENT. LE MOTEUR ET LE COMPRESSEUR DEMEURENT CHAUDS PENDANT PLUSIEURS MINUTES APRÈS LEUR FONCTIONNEMENT.</p> <p>NE PAS TENTER D'ATTEINDRE LES COMPOSANTES DERRIÈRE LES GARDES DE PROTECTION ET NE PAS EFFECTUER DE L'ENTRETIEN AVANT D'AVOIR LAISSÉ REFROIDIR L'APPAREIL.</p>

RISQUE DE CHUTE



RISQUE	PRÉVENTION
<p>UN COMPRESSEUR PORTATIF PEUT TOMBER D'UNE TABLE, D'UN ÉTABLI OU D'UN TOIT. L'IMPACT PEUT CAUSER DES DOMMAGES AU COMPRESSEUR ET DES BLESSURES CORPORELLES OU LA MORT DE L'UTILISATEUR.</p>	<p>TOUJOURS S'ASSURER DE LA STABILITÉ DU COMPRESSEUR AVANT DE LE FAIRE FONCTIONNER AFIN DE PRÉVENIR TOUT MOUVEMENT ACCIDENTEL DE L'APPAREIL. NE JAMAIS UTILISER UN COMPRESSEUR SUR UN TOIT OU DANS UNE POSITION ÉLEVÉE ; UTILISER PLUTÔT UN BOYAU D'AIR SUPPLÉMENTAIRE POUR ATTEINDRE LES ENDROITS ÉLEVÉS.</p>

RISQUE DE DOMMAGES À LA PROPRIÉTÉ PENDANT LE TRANSPORT DU COMPRESSEUR (incendie, inhalation, dommages aux surfaces du véhicule)



RISQUE	PRÉVENTION
<p>DES FUITES OU DES DÉVERSEMENTS D'HUILE PEUVENT SE PRODUIRE ET ENTRAÎNER DES RISQUES D'INCENDIE, OU DES PROBLÈMES AUX VOIES RESPIRATOIRES, DES BLESSURES GRAVES OU LA MORT. DES FUITES D'HUILE ENDOMMAGENT LES TAPIS, LA PEINTURE ET TOUTE AUTRE SURFACE DES VÉHICULES OU DES REMORQUES.</p>	<p>TOUJOURS PLACER LE COMPRESSEUR SUR UN TAPIS DE PROTECTION POUR ÉVITER L'ENDOMMAGEMENT DU VÉHICULE PAR DES FUITES. RETIRER LE COMPRESSEUR DU VÉHICULE IMMÉDIATEMENT À L'ARRIVÉE.</p>

RENSEIGNEMENTS GÉNÉRAUX

Vous avez fait l'achat d'un compresseur d'air de 1 cylindre muni d'une pompe de compresseur d'air à phase unique et d'un réservoir d'air. Cet appareil comprend aussi des roues, un régulateur et des manomètres.

Ce compresseur d'air ne requiert aucune huile. Vous pouvez donc maintenant profiter de tous les avantages qu'offre un compresseur d'air sans jamais devoir faire l'achat, l'ajout ou un changement d'huile.

Votre compresseur d'air peut être utilisé avec des pistolets à peindre, des outils pneumatiques, des pistolets à calfeutrer, des cloueuses/agrafeuses, des pinceaux vaporisateurs, ainsi que des trousseaux pour le gonflage. Un régulateur de pression d'air est requis pour la plupart de ces applications.

Un filtre à air en ligne qui élimine l'humidité et la saleté de l'air comprimé devrait être utilisé lorsque applicable.

Un régulateur en ligne peut être utilisé si un réglage plus précis en aval est nécessaire.

LEXIQUE

CFM : pieds cubes par minute.

SCFM : pieds cubes par minute standard. Une unité de mesure de sortie d'air.

PSIG : (jauge) livres par pouce carré. Une unité de mesure de tension (pression).

ASME : American Society of Mechanical Engineers. Fabriqué, mis à l'essai, inspecté et enregistré pour répondre aux normes de la ASME.

Pression d'enclenchement : Lorsque le moteur est en arrêt, la pression du réservoir d'air s'abaisse tandis que vous continuez d'utiliser votre accessoire. Quand la pression du réservoir baisse à un certain taux de pression et que le manostat est en mode automatique (AUTO), le moteur se remet automatiquement en marche. La basse pression à laquelle le moteur se remet automatiquement en marche s'appelle la "pression d'enclenchement".

Pression coupe-circuit : Lorsque vous mettez votre compresseur d'air en marche et qu'il commence à fonctionner, la pression d'air dans le réservoir commence à s'accumuler. La pression monte et atteint un taux assez élevé avant que le moteur ne s'arrête automatiquement protégeant ainsi le réservoir d'air d'un taux de pression qui excéderait sa capacité. La haute pression à laquelle le moteur s'arrête s'appelle la "pression de coupe-circuit".

CSA : Les produits électriques vendus au Canada doivent être certifiés selon les normes applicables de l'ACNOR. L'Association canadienne de normalisation (ACNOR) est un organisme qui établit les normes et effectue les essais pour vérifier l'aspect sécuritaire des produits. Les produits qui sont homologués CSA ont fait l'objet d'une évaluation et d'essais et ont été jugés conformes aux normes, ou excédant les normes, de sécurité et de rendement électrique.

TABLEAU DES SPÉCIFICATIONS

Modèle n° :	919.727121
Alésage	1 7/8 po (4,76 cm)
Course du cylindre	1 1/4 po (3,175 cm)
Tension – phase unique	120
Exigence minimale du circuit de dérivation	10 a
Genre de fusible	à retardement à élément double
Capacité du réservoir d'air	12 gal. (É.-U.) (45,4 L)
Pression d'enclenchement approx.	100
Pression de coupe-circuit approx.	125
Pi ³ /min standard (SCFM) à 40 psi (lb/po. ca.)	3,7
Pi ³ /min standard (SCFM) à 90 psi (lb/po. ca.)	2,6

DESCRIPTION DU MODE OPÉRATIONNEL

Pompe du compresseur d'air : Pour comprimer l'air, le piston se déplace de haut en bas dans le cylindre. A la descente, l'air entre dans les soupapes d'admission d'air. Les soupapes d'échappement demeurent fermées. A la montée du piston, l'air est comprimé. Les soupapes d'admission d'air se ferment et l'air comprimé est poussé vers les soupapes d'échappement, passe à travers le tube de sortie puis, par les soupapes de retenue pour finalement aboutir dans le réservoir d'air. L'air d'exploitation n'est pas disponible avant que le compresseur n'ait élevé la pression du réservoir d'air au-dessus de la pression requise à la sortie d'air.

Soupape de retenue : Quand le compresseur fonctionne, la soupape de retenue "s'ouvre", permettant à l'air comprimé d'entrer dans le réservoir d'air. Quand le compresseur atteint la "pression de coupe-circuit", la soupape de retenue "se ferme", permettant à la pression d'air de demeurer à l'intérieur du réservoir d'air.

Détendeur de pression : Le détendeur de pression, situé sur le côté du manostat, est conçu pour libérer automatiquement l'air comprimé de la tête du compresseur et du tube de sortie lorsque le compresseur atteint la "pression de coupe-circuit" ou qu'il est fermé. Si l'air n'est pas libéré, le moteur ne peut démarrer. Le détendeur de pression permet au moteur de redémarrer sans problème. Quand le moteur s'arrête, il est possible d'entendre l'air s'échapper du détendeur de pression pendant quelques secondes. Aucun échappement d'air ne doit être entendu lorsque le moteur fonctionne.

Manostat : Le manostat fait démarrer automatiquement le moteur lorsque la pression d'air dans le réservoir s'abaisse sous la "pression d'enclenchement" établie par la manufacture. Il coupe le moteur lorsque la pression d'air du réservoir atteint la "pression de coupe-circuit" établie par la manufacture.

Soupape de sûreté : Si le manostat ne coupe pas le compresseur d'air lorsqu'il atteint la valeur établie de la pression de coupe-circuit, la soupape de sûreté protège le réservoir contre la haute pression en "sautant" à sa valeur établie en usine (légèrement supérieure à la valeur établie pour la pression de coupe-circuit du manostat).

Régulateur : La pression d'air provenant du réservoir d'air est contrôlée par un régulateur. Tournez le bouton du régulateur dans le sens des aiguilles d'une montre pour augmenter la pression et dans le sens contraire des aiguilles d'une montre, pour réduire la pression. Pour éviter des rajustements mineurs après avoir fait un changement dans le réglage de la pression, toujours approcher la pression voulue à partir d'une pression plus faible. Au moment d'établir un réglage élevé à un réglage inférieur, il faut d'abord réduire à une pression moindre que la pression voulue puis augmenter pour ramener à la pression voulue. Selon les exigences d'air de chaque accessoire particulier, le réglage de la pression d'air à la sortie peut nécessiter un ajustement lors de l'utilisation d'un accessoire.

Manomètre de sortie : Le manomètre de sortie indique la pression d'air disponible à la sortie du régulateur. Cette pression est contrôlée par le régulateur et est toujours égale ou inférieure à la pression du réservoir. Voir "Procédures opérationnelles".

Manomètre du réservoir : Le manomètre du réservoir indique la pression d'air en réserve dans le réservoir.

Système de refroidissement : Ce compresseur est muni d'un système de refroidissement de haute technologie qui comprend un ventilateur. Il est tout à fait normal que ce ventilateur souffle une grande quantité d'air à travers les événements. Vous savez que le système de refroidissement fonctionne bien lorsque l'air est propulsé par les événements.

OUTILS REQUIS À L'INSTALLATION

- Une clé à douille ou une clé ouverte de 9/16 po (143 mm) pour fixer les roues.
- Une clé à douille ou une clé ouverte de 3/8 po (95 mm) pour serrer les vis de la poignée.

ASSEMBLAGE

Installation des roues, poignées et butoirs moulés en caoutchouc

⚠ MISE EN GARDE

LES ROUES ET LA POIGNÉE N'OFFRENT PAS UN ESPACE DE DÉGAGEMENT, LA STABILITÉ OU LE SUPPORT ADÉQUATS POUR PERMETTRE DE TIRER L'APPAREIL EN MONTANT OU EN DESCENDANT DES MARCHES OU UN ESCALIER. L'APPAREIL DOIT ÊTRE SOULEVÉ OU POUSSÉ SUR UNE RAMPE.

1. Fixez la poignée à l'intérieur du chevalet de raccordement du compresseur en alignant les boulons et orifices de chaque côté. Installez les deux vis, une de chaque côté. Serrez bien.

⚠ MISE EN GARDE

Il peut être nécessaire de soutenir ou de consolider une extrémité de l'appareil lors de la fixation des roues en raison de la tendance à basculer du compresseur.

2. Utilisez un boulon d'épaulement et un écrou par roue. Serrez bien. L'appareil sera stable si les roues sont bien installées.
3. Nettoyez et essuyez le dessous du pied du réservoir d'air situé à l'opposé des roues. Enlevez la bande de protection de l'endos adhésif des butoirs moulés en caoutchouc. Placez les butoirs en caoutchouc sous chacune des extrémités du pied. Appuyez fermement en place.

INSTALLATION ET PROCÉDURES DE MISE EN ROUTE

Emplacement du compresseur d'air

Placez le compresseur d'air dans un endroit propre, sec et bien ventilé. Le compresseur d'air doit être situé à 12 po (30,5 cm) au moins de tout mur ou de toute autre obstruction qui pourrait nuire à la circulation de l'air. Le boîtier et la pompe du compresseur d'air sont conçus de façon à fournir un refroidissement approprié. Les ouvertures de ventilation ou événements du compresseur sont nécessaires pour maintenir une température adéquate lors du fonctionnement de l'appareil. Ne pas placer de chiffons ni d'autres contenants sur ou à proximité des événements.

Huile et lubrification

Cet appareil ne requiert aucune lubrification ni graissage.

Tension et protection du circuit

Voir les exigences de tension et de protection du circuit de votre compresseur sur la Liste des pièces de ce Guide. N'utilisez qu'un fusible ou qu'un disjoncteur ayant les mêmes valeurs nominales que le circuit de dérivation sur lequel fonctionne le compresseur. Si le compresseur est branché sur un circuit protégé par des fusibles, n'utilisez que des fusibles à retardement à élément double tel qu'indiqué dans le Bulletin de service.

Consultez la Liste des pièces de votre compresseur. Certains modèles de compresseur d'air peuvent fonctionner sur un circuit de 15 ampères, à condition que :

1. L'alimentation de la tension du circuit soit normale.
2. Le circuit ne soit pas utilisé pour fournir du courant à d'autres besoins électriques (éclairage, appareils ménagers, etc.).

3. La rallonge soit conforme aux spécifications de ce guide.
4. Le circuit soit muni d'un disjoncteur de 15 ampères ou d'un fusible à retardement de 15 ampères.

Si les conditions plus haut mentionnées ne peuvent être satisfaites, ou s'il y a une interruption de courant à maintes reprises durant le fonctionnement du compresseur, il se peut que vous deviez utiliser un circuit de 20 ampères. Dans un tel cas, il n'est pas nécessaire de changer le cordon d'alimentation.

Rallonge

Utilisez un boyau d'air supplémentaire au lieu d'une rallonge pour éviter une baisse de tension, une perte de puissance et la surchauffe du moteur.

Si une rallonge *doit* être utilisée, assurez-vous :

- de n'utiliser qu'une rallonge à trois fils qui comprend une fiche à trois lames avec mise à la terre et une prise à trois fentes qui accepte la fiche de la rallonge.
- qu'elle est en bon état.
- qu'elle n'excède pas 50 pi.
- qu'elle est d'un calibre minimal de 12 AWG (jauge américaine des fils). (La grosseur du fil augmente comme le numéro de jauge diminue). 10 AWG et 8 AWG peuvent également être utilisés. NE PAS UTILISER UN CALIBRE DE 14 OU DE 16 AWG.

DIRECTIVES DE MISE A LA TERRE

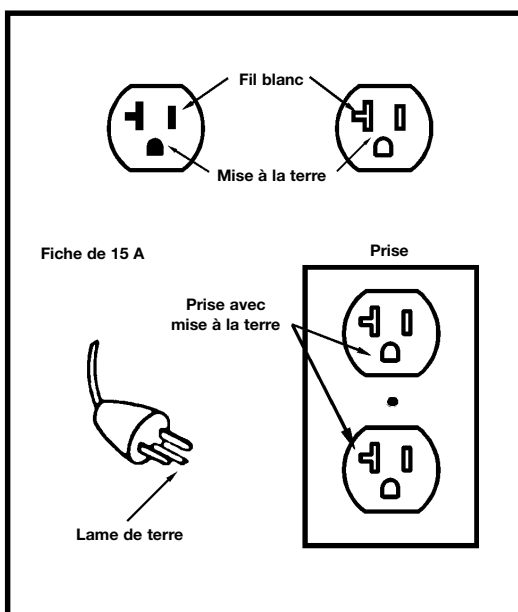
⚠ AVERTISSEMENT

RISQUE DE CHOC ÉLECTRIQUE ! En cas de court-circuit, la mise à la terre réduit les risques de choc en fournissant un fil de fuite pour le courant électrique. Ce compresseur d'air doit être adéquatement mis à la terre.

Ce compresseur d'air portatif est muni d'un cordon ayant un fil de terre avec une fiche appropriée de mise de terre. La fiche doit être utilisée sur une prise de courant installée avec mise de terre selon les normes et codes locaux. La prise doit avoir la même configuration que la fiche.

N'UTILISEZ PAS D'ADAPTATEUR POUR CONTRECARRER LA CARACTÉRISTIQUE DE PRISE DE TERRE DE LA FICHE.

Vérifiez la fiche et le cordon de l'appareil avant chaque utilisation. Ne les utilisez pas s'il y a des signes de dommages.



⚠ DANGER

UNE MISE À LA TERRE INAPPROPRIÉE PEUT ENTRAÎNER DES CHOC ÉLECTRIQUES.

Ne pas modifier la fiche qui est fournie. Si elle ne convient pas à la prise disponible, une prise adéquate doit être installée par un électricien qualifié.

Lors de la réparation ou du remplacement du cordon ou de la fiche, le fil de terre doit être tenu séparé des fils conducteurs d'électricité. Ne branchez jamais le fil de terre à une borne plate. Le fil de terre est recouvert d'une gaine isolante dont la surface externe est verte - avec ou sans rayures jaunes.

Si ces directives sur la mise à la terre ne vous semblent pas très claires, ou si vous avez des doutes sur la façon dont le compresseur est mis à la terre, faites vérifier l'installation par un électricien qualifié.

Procédures de mise en route

⚠ MISE EN GARDE

Il y a risque de graves dommages si les procédures de mise en route ne sont pas étroitement observées.

Ces procédures ne sont requises qu'une fois, avant la mise en marche initiale du compresseur :

1. Mettez l'interrupteur arrêt/auto (OFF/AUTO) du manostat en position d'arrêt (OFF).
2. Branchez le cordon électrique dans la prise de dérivation appropriée.
3. Tournez le régulateur dans le sens des aiguilles d'une montre en l'ouvrant complètement pour prévenir l'accumulation de pression d'air dans le réservoir.
4. Mettez l'interrupteur arrêt/automatique (OFF/AUTO) du manostat en mode automatique (AUTO). Le compresseur se met alors en marche.
5. Faites fonctionner le compresseur pendant 15 minutes. Assurez-vous que le régulateur est ouvert et qu'il n'y a aucune accumulation de pression dans le réservoir.
6. Après 15 minutes, fermez le régulateur en tournant le bouton dans le sens contraire des aiguilles d'une montre. Le réservoir se remplit jusqu'à la pression de coupe-circuit puis le moteur s'arrête. Consulter les "Procédures opérationnelles".

PROCÉDURES OPÉRATIONNELLES

1. Avant d'attacher le boyau d'air ou autres accessoires, assurez-vous que l'interrupteur arrêt/auto (OFF/AUTO) est en position d'arrêt (OFF) et que le régulateur d'air est fermé.
2. Attachez le boyau et les accessoires.

⚠ AVERTISSEMENT

UNE TROP FORTE PRESSION CAUSE UN RISQUE DANGEREUX D'ÉCLATEMENT. SUIVRE SOIGNEUSEMENT LES ÉTAPES DE 3 À 5 CHAQUE FOIS QUE LE COMPRESSEUR EST UTILISÉ.

⚠ MISE EN GARDE

L'air comprimé de cet appareil peut comprendre une condensation d'eau. Ne pas vaporiser de l'air non filtré à un article qui pourrait être endommagé. Certains outils ou dispositifs pneumatiques peuvent exiger un air filtré. Lire les instructions accompagnant l'outil ou le dispositif pneumatique.

3. Vérifiez les spécifications du fabricant quant à la valeur de pression maximale pour les outils et les accessoires pneumatiques. La pression de sortie du régulateur ne doit jamais excéder la valeur de pression maximale. Si votre compresseur n'est pas muni d'un régulateur avec manomètre, installez-en un avant d'utiliser des accessoires.
4. Mettez l'interrupteur arrêt/auto (OFF/AUTO) en mode automatique (AUTO) et laissez la pression s'accumuler dans le réservoir. Le moteur s'arrête quand la pression dans le réservoir atteint la pression de coupe-circuit.
5. Ouvrez le régulateur en le tournant dans le sens des aiguilles d'une montre. Rajustez le régulateur à la pression appropriée. Votre compresseur est prêt à être utilisé.

6. Faites toujours fonctionner le compresseur d'air dans un endroit bien ventilé, libre de toutes vapeurs d'essence ou d'autres solvants. N'utilisez pas le compresseur près d'une aire ou cabine de vaporisation.

Une fois que vous avez terminé :

7. Placez l'interrupteur arrêt/auto (OFF/AUTO) en position arrêt (OFF).
8. Tournez le régulateur dans le sens contraire des aiguilles d'une montre et régler la sortie de pression à zéro.
9. Retirez l'outil ou l'accessoire pneumatique.
10. Ouvrez le régulateur et laissez l'air s'échapper lentement du réservoir. Fermez le régulateur lorsque la pression du réservoir atteint approximativement 20 PSI.
11. Vidangez l'eau du réservoir d'air.

⚠ AVERTISSEMENT

L'EAU SE CONDENSE DANS LE RÉSERVOIR D'AIR. SI ELLE N'EST PAS VIDANGÉE, ELLE PROVOQUE LA CORROSION DU RÉSERVOIR ET EN AFFAIBLIT LES PAROIS CAUSANT AINSI UN RISQUE DE RUPTURE.

Avec une pression approximative de 20 psi (lb/po. ca.) au réservoir, ouvrir le robinet ou soupape de vidange.

REMARQUE

Si le robinet de vidange est branché, libérez toute la pression d'air. Le robinet peut ensuite être enlevé, nettoyé puis réinstallé.

12. Une fois l'eau vidangée, fermez le robinet de vidange. Le compresseur d'air peut maintenant être entreposé.

ENTRETIEN

⚠ AVERTISSEMENT

L'APPAREIL SE MET AUTOMATIQUEMENT EN MARCHÉ LORSQU'IL EST ALLUMÉ. AU COURS DE L'ENTRETIEN, IL SE PEUT QUE VOUS SOYEZ EXPOSÉ AUX SOURCES DE TENSION, À L'AIR COMPRIMÉ OU AUX PIÈCES MOBILES RISQUANT AINSI DES BLESSURES. DÉBRANCHEZ L'APPAREIL ET VIDangez TOUTE LA PRESSION DANS LE RÉSERVOIR D'AIR AVANT D'ENTAMER TOUT ENTRETIEN OU TOUTE RÉPARATION.

TOUTES PROCÉDURES D'ENTRETIEN ET TOUTES RÉPARATIONS QUI NE FIGURENT PAS PLUS BAS DOIVENT ÊTRE EFFECTUÉES PAR UN PERSONNEL DE SERVICE QUALIFIÉ.

Soupape de retenue - Remplacement

⚠ AVERTISSEMENT

Avant de faire l'entretien :

- Débranchez le cordon d'alimentation du compresseur.
 - Purgez la pression contenue dans le réservoir.
 - Laissez refroidir le compresseur.
1. Purgez toute la pression d'air du réservoir et débranchez l'appareil.
 2. Desserrez l'écrou au bas et placez le tube de sortie sur le côté.
 3. Dévissez la soupape de retenue (tournez dans le sens contraire des aiguilles d'une montre) à l'aide d'une clé à douille.
 4. Vérifiez si le clapet de la soupape peut bouger librement à l'intérieur de la soupape de retenue et si le ressort retient le clapet levé, en position fermée. La soupape de retenue peut être nettoyée avec un solvant tel qu'un décapant de peinture ou de vernis.
 5. Appliquez un scellant sur les filaments de la soupape de retenue. Réinstallez la soupape de retenue (en tournant dans le sens des aiguilles d'une montre).
 6. Replacez le tube de sortie et serrez l'écrou du bas.

Vérification - Soupape de sûreté

⚠ AVERTISSEMENT

SI LA SOUPAPE DE SÛRETÉ NE FONCTIONNE PAS ADÉQUATEMENT, UNE TROP FORTE PRESSION PEUT CAUSER LA RUPTURE OU L'EXPLOSION DU RÉSERVOIR D'AIR. AVANT DE FAIRE DÉMARRER LE COMPRESSEUR, TIREZ SUR L'ANNEAU DE LA SOUPAPE DE SÛRETÉ POUR VÉRIFIER SI CETTE DERNIÈRE FONCTIONNE LIBREMENT. SI LA SOUPAPE EST BLOQUÉE OU NE FONCTIONNE PAS BIEN, CELLE-CI DOIT ÊTRE REMPLACÉE PAR UNE SOUPAPE DE SÛRETÉ DE MÊME GENRE.

Entreposage

Avant d'entreposer le compresseur d'air, assurez-vous de suivre les procédures suivantes :

1. Consultez les sections portant sur l'entretien et les procédures opérationnelles et effectuez les tâches d'entretien au besoin. Assurez-vous de bien purger l'eau du réservoir d'air.
2. Protégez le cordon électrique et le boyau d'air contre tout dommage (pour éviter qu'un passant marche ou trébuche sur le cordon). Enroulez-les lâchement autour de la poignée de l'appareil.

Entreposez le compresseur dans un endroit frais et sec.

GUIDE DE DÉ PANNAGE

⚠ AVERTISSEMENT

EN EFFECTUANT DES RÉPARATIONS IL SE PEUT QUE VOUS SOYEZ EXPOSÉ AUX SOURCES DE TENSION, AUX PIÈCES MOBILES OU AUX SOURCES D'AIR COMPRIMÉ RISQUANT AINSI DES BLESSURES. DÉBRANCHEZ LE COMPRESSEUR ET VIDangez TOUTE LA PRESSION DANS LE RÉSERVOIR D'AIR AVANT D'ENTAMER TOUTE RÉPARATION.

PROBLÈME	CAUSE	CORRECTION
Pression excessive dans le réservoir - la soupape de sûreté se soulève.	Le manostat ne coupe pas le moteur quand le compresseur atteint la pression de coupe-circuit. La valeur du coupe-circuit du manostat est trop élevée.	Mettez le manostat en position d'arrêt (OFF). Si l'appareil ne s'arrête pas et que les contacts électriques sont soudés ensemble, remplacez le manostat. Retournez l'appareil à un Centre de service Sears pour une vérification, un rajustement ou le remplacement du manostat.
Fuite d'air aux raccords.	Les raccords du boyau ne sont pas assez serrés.	Resserrez les raccords là où vous pouvez entendre l'air s'échapper. Vérifiez les raccords à l'aide d'une solution d'eau savonneuse. ÉVITEZ DE TROP SERRER.
Fuite d'air au détendeur de pression du manostat.	Détendeur de pression du manostat défectueux. Clapet de la soupape défectueux dans le collecteur. Vérifiez s'il y a des dommages au siège de la soupape.	Enlevez et remplacez le détendeur de pression. Vérifiez si le pointeau au bas du détendeur de pression est coincé. S'il ne se déplace pas librement, remplacez la soupape à clapet. Une soupape à clapet défectueuse cause une fuite d'air constante au détendeur de pression lorsqu'il y a pression dans le réservoir et que le compresseur est éteint. Enlevez et nettoyez ou remplacez la soupape. Vérifiez et remplacez la partie supérieure du collecteur.
Fuite d'air dans le réservoir d'air ou aux soudures du réservoir.	Réservoir d'air défectueux.	Le réservoir d'air doit être remplacé. Ne tentez pas de réparer la fuite. ⚠ AVERTISSEMENT NE PAS PERCER, SOUDER NI AUTREMENT MODIFIER LE RÉSERVOIR D'AIR SINON LE RÉSERVOIR S'AFFAIBLIT ET IL Y A RISQUE DE RUPTURE OU D'EXPLOSION.
Fuite d'air entre la tête et la plaque de la soupape.	Le joint d'étanchéité accuse une fuite.	Ajustez la tension des têtes de vis à 8 pi/lb. Si cela n'arrête pas la fuite, remplacez le joint d'étanchéité.
Lecture de la pression au manomètre baisse lorsqu'un accessoire est utilisé.	Il est normal d'avoir "certaines" chutes de pression.	S'il y a une chute excessive de pression lorsqu'un accessoire est utilisé, rajustez le régulateur en suivant les instructions en page 7. REMARQUE Rajustez le régulateur dans les conditions de débit (pendant l'utilisation de l'accessoire).

PROBLÈME	CAUSE	CORRECTION
Fuite d'air à la soupape de sûreté.	Possibilité d'une défectuosité de la soupape de sûreté.	Faites fonctionner la soupape de sûreté manuellement en tirant sur l'anneau. Si la soupape accuse toujours une fuite, remplacez-la.
Cognements.	Soupape de retenue défectueuse	Faites vérifier par le Centre de service Sears de votre localité.
Le compresseur ne fournit pas suffisamment d'air pour faire fonctionner les accessoires.	Utilisation excessive et prolongée de l'air. Le compresseur n'est pas assez gros pour les exigences d'air. Filtre d'admission d'air obstrué. Boyau d'air percé. Vérifiez si la soupape de retenue est obstruée. Fuites d'air.	Réduisez la quantité d'air utilisée. Vérifiez les exigences d'air des accessoires. Si elles sont plus élevées que le SCFM (pi ³ /min) ou que la pression fournie par votre compresseur, vous avez besoin d'un compresseur plus gros. Nettoyez ou remplacez le filtre d'admission d'air. Ne faites pas fonctionner le compresseur dans l'aire ou la cabine de vaporisation de peinture. Vérifiez et remplacez au besoin. Enlevez et nettoyez ou remplacez. Resserrez les raccords. (Voir la section portant sur les fuites d'air du Guide de dépannage).
Le moteur ne tourne pas.	Fusible sauté ou disjoncteur déclenché. Calibre de fil ou longueur de la rallonge incorrect. Connexions électriques relâchées. Moteur défectueux.	Vérifiez la boîte à fusibles et remplacez tout fusible sauté au besoin. Rétablissez le disjoncteur. N'utilisez pas un disjoncteur ou un fusible d'une valeur nominale plus élevée que celle qui est spécifiée pour votre circuit de dérivation particulier. Vérifiez si le fusible est adéquat. Vous devez utiliser un fusible à action rapide. Vérifiez si la tension est trop faible. Vérifiez la rallonge. Débranchez les autres appareils électriques du circuit ou faites fonctionner le compresseur sur son propre circuit de dérivation. Vérifiez la rallonge. Vérifiez les connexions dans la boîte de connexion. Faites vérifier par le Centre de service Sears de votre localité.
Bouton du régulateur accuse une fuite d'air continue. Le régulateur ne coupe pas à la sortie d'air.	Pièces internes du régulateur souillées ou endommagées.	Nettoyez ou remplacez le régulateur ou les pièces internes du régulateur.

SEARS

CRAFTSMAN®

Modèle n°.
919.727121

SERVICE

**POUR PLACER
UNE COMMANDE
DE PIÈCES DE
RECHANGE**

GUIDE DE L'UTILISATEUR POUR

LE COMPRESSEUR D'AIR À LUBRIFICATION PERMANENTE MONTÉ SUR RÉSERVOIR

Le numéro du modèle de votre Compresseur d'air de Sears se trouve sur l'étiquette d'entretien située au-dessus du boîtier ou sur l'étiquette de caractères à bâtonnets située à l'arrière du réservoir d'air.

POUR PIÈCES DE RECHANGE ET SERVICE DE RÉPARATION

COMPOSEZ LE : 1-800-665-4455*

Conservez ce numéro à portée de la main au cas où vous auriez besoin du service de réparation ou de placer une commande de pièces de rechange. Pour placer une commande de pièces, assurez-vous d'avoir les nom, modèle et numéro du modèle de l'appareil et les nom et numéro de la pièce que vous voulez acheter.

* Pour un appel local, veuillez composer l'un des numéros suivants :

Régina - 566-5124	Montréal - 333-5740
Toronto - 744-4900	Halifax - 454-2444
Kitchener - 894-7590	Ottawa - 738-4440
Vancouver - 420-8211	

LORS DU PLACEMENT D'UNE COMMANDE, VEUILLEZ DONNER LES RENSEIGNEMENTS SUIVANTS :

- NUMÉRO DE LA PIÈCE
- DESCRIPTION DE LA PIÈCE
- NUMÉRO DU MODÈLE
- NOM DU PRODUIT

Vous pouvez placer une commande de toute pièce qui figure sur la liste à l'un ou l'autre de nos Centres de service et à la plupart de nos magasins Sears.

Si les pièces dont vous avez besoin ne sont pas en stock au centre de service ou au magasin Sears de votre localité, votre commande sera transmise électroniquement à un Centre de distribution des pièces de rechange Sears.

Vendu par Sears Canada, Inc., Toronto, Ont. M5B 2B8

Free Manuals Download Website

<http://myh66.com>

<http://usermanuals.us>

<http://www.somanuals.com>

<http://www.4manuals.cc>

<http://www.manual-lib.com>

<http://www.404manual.com>

<http://www.luxmanual.com>

<http://aubethermostatmanual.com>

Golf course search by state

<http://golfingnear.com>

Email search by domain

<http://emailbydomain.com>

Auto manuals search

<http://auto.somanuals.com>

TV manuals search

<http://tv.somanuals.com>