

(6)- (110 SOURCE) **DRYER MOTOR KIT #279787.**

INSTALLATION AND WIRING INSTRUCTIONS

for Pluggable Motor Replacement - 279787

This Kit Contains:

- 1 Motor Assembly 3395654
- 2 1/8" Female Terminals (Insulated) 3398989
- 1 Sheet, Instruction 279788

! WARNING

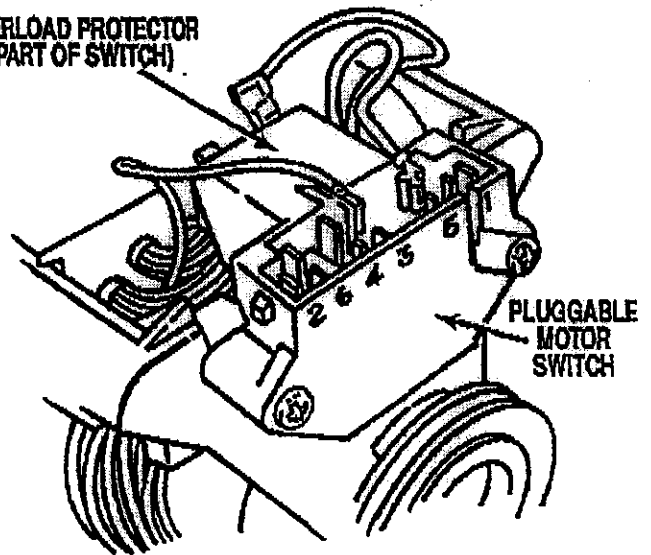
Electrical Shock Hazard
Disconnect power before servicing.
Failure to do so could result in serious injury or death.

NOTE TO THE INSTALLER: This motor kit is an authorized FSP service replacement part for your application. The motor in this kit may or may not be identical to your old motor. If your current motor has the pluggable motor switch, replace the service motor in the same manner as you removed your defective motor. If your defective motor has the switch where the wire lead from the main harness connects to the motor switch individually, carefully follow instructions below.

! WARNING

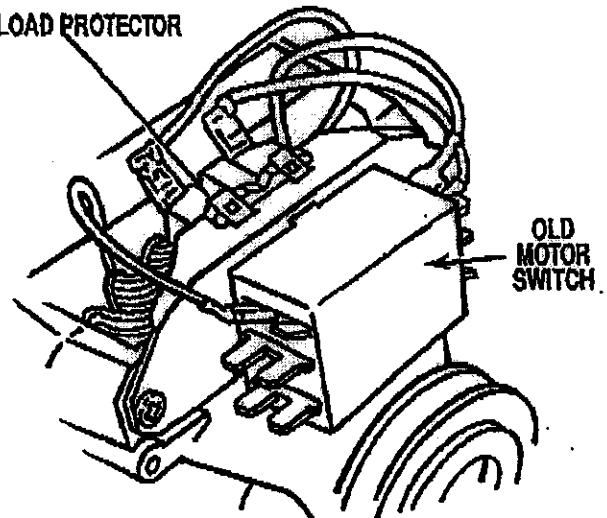
Potential Fire Hazard and/or Nuisance Tripping of Motor Protector
DO NOT under any circumstance attempt to remove or replace the motor switch from this pluggable service motor. The switch is a non-serviceable component.
Failure to do so could result in fire, serious injury or death.

OVERLOAD PROTECTOR
(PART OF SWITCH)



REPLACEMENT MOTOR

OVERLOAD PROTECTOR



DEFECTIVE MOTOR

FIGURE 1

1. Remove defective motor using standard motor removal procedures.
2. Compare and note the difference between the motor switch of the defective motor and the switch of the new replacement motor. If the switches are the same, simply install the motor in reverse order you've removed the defective motor. See Figure 1.

NOTE: Overload protector is part of the switch on the replacement motor and separate on the defective motor.

- Position motor as shown in Figure 2. Note the location of the motor switch. Secure motor to bracket with the original motor clamps.

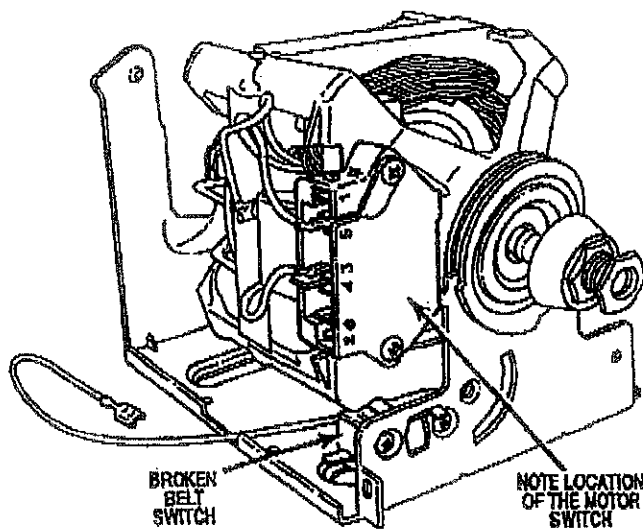


FIGURE 2

WIRING INSTRUCTIONS

NOTE: Read and follow instructions carefully. If the unit you are replacing the motor on has the option which included the momentary switches for the drum, proceed to section title WIRING INSTRUCTIONS—MOMENTARY SWITCH APPLICATION; otherwise, proceed to step 4.

- Connect the blue (4M) wire lead from the broken belt switch to the vacant terminal located on the back of the overload protector of the motor switch. See Figure 3.
- Connect the red (1M) wire lead to the $\frac{1}{4}$ " terminal marked "1" on the motor switch. See Figure 3.
- Connect the red (2M) wire lead to the $\frac{1}{4}$ " terminal marked "2" on the motor switch. See Figure 3.
- Connect the yellow (BK2) wire lead to the vacant terminal on the broken belt switch. See Figure 3.
- To connect the black (6M) wire lead and the white (5M) wire lead to the motor switch, you must replace the $\frac{1}{4}$ " female terminals with the $\frac{1}{8}$ " insulated female terminals included with the replacement motor.
- Cut the $\frac{1}{4}$ " female terminal from the black (6M) and white (5M) wire leads as close to the terminal as possible with wire cutters.
- Strip wires back approximately $\frac{1}{4}$ of an inch.
- With barrel crimpers, crimp $\frac{1}{8}$ " insulated female terminals, included with motor, onto the wire leads.

NOTE: Make sure terminals are crimped securely in place.

- Connect the white (5M) wire lead onto the $\frac{1}{8}$ " terminal marked "5" on the motor switch. See Figure 3.

- Connect the black (6M) wire lead onto the $\frac{1}{8}$ " terminal marked "6" on the motor switch. See Figure 3.

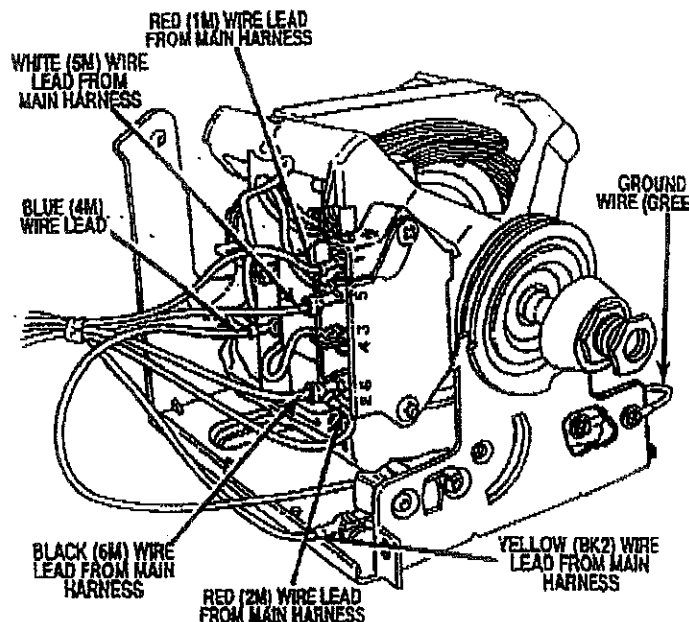


FIGURE 3

- Reconnect ground wire to motor. See Figure 3.
- All wire lead connections are complete at this point, you can now reinstall the motor and bracket assembly into the unit.

WIRING INSTRUCTIONS—MOMENTARY SWITCH APPLICATION

- Connect the blue (4M) wire lead from the broken belt switch to the vacant terminal located on the back of the overload protector of the motor switch. See Figure 4.
- Connect the red (1M) wire lead to the $\frac{1}{4}$ " terminal marked "1" on the motor switch. See Figure 4.
- Connect the red (2M) wire lead to the $\frac{1}{4}$ " terminal marked "2" on the motor switch. See Figure 4.
- Connect the yellow (BK2) wire lead to the vacant terminal on the broken belt switch. See Figure 4.
- To connect the purple (3M) wire lead and the white (5M) wire lead to the motor switch, you must replace the $\frac{1}{4}$ " female terminal with the $\frac{1}{8}$ " insulated terminals included with the replacement motor.
- Cut the $\frac{1}{4}$ " female terminal from the purple (3M) and white (5M) wire leads as close to the terminal as possible with wire cutters.

7. Strip wires back approximately $\frac{1}{4}$ of an inch.
8. With barrel crimpers, crimp $\frac{1}{8}$ " insulated female terminals, included with motor, onto the wire leads.

NOTE: Make sure terminals are crimped securely in place.

9. Connect the white (5M) wire lead onto the $\frac{1}{8}$ " terminal marked "5" on the motor switch. See Figure 4.
10. Connect the purple (3M) wire lead onto the $\frac{1}{8}$ " terminal marked "3" on the motor switch. See Figure 4.
11. Reconnect ground wire to motor. See Figure 4.
12. All wire lead connections are complete at this point. You can now reinstall the motor and bracket assembly into unit.

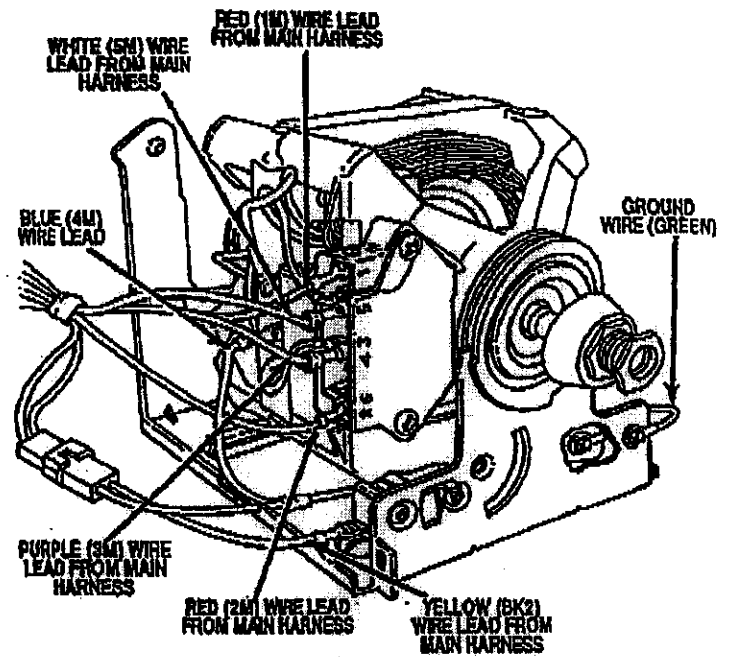


FIGURE 4

Free Manuals Download Website

<http://myh66.com>

<http://usermanuals.us>

<http://www.somanuals.com>

<http://www.4manuals.cc>

<http://www.manual-lib.com>

<http://www.404manual.com>

<http://www.luxmanual.com>

<http://aubethermostatmanual.com>

Golf course search by state

<http://golfingnear.com>

Email search by domain

<http://emailbydomain.com>

Auto manuals search

<http://auto.somanuals.com>

TV manuals search

<http://tv.somanuals.com>