



Selection	
White	46-29702
Features	
Capacity (cu. ft.)	6.5
Defrost Type	Manual
Full-Width Shelves	4 Wire
Adjustable Temperature Control	Mechanical
Door Handle	Recessed
Textured Steel Door and Cabinet	Smooth White
Defrost Drain	•
Ice Maker Included	•
Adjustable Legs	•
Easy-Rolling Wheels	•
Reversible Door	•
Est. Energy Consumption (kWh / yr.)	335
Est. Yearly Operating Cost*	\$36
CSA Rating	•
Volts / Amps	115 / 5.0
Shipping Weight (Approx. Lbs.)	260
Warranty	
1-Year Limited Warranty – Entire Appliance	Parts & Labor

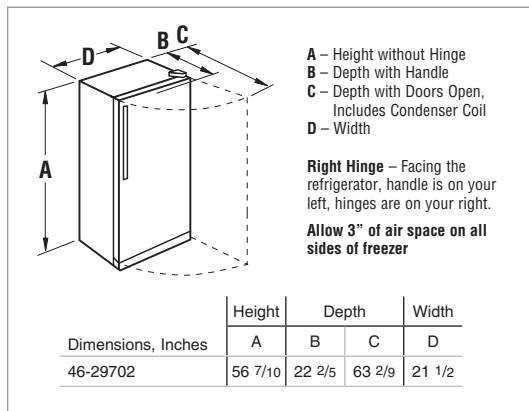
If used for other than private family purposes, warranty applies for only 90 days.

*All energy \$ / Yr. figures are calculated at the national average cost of \$0.1065 / kWh. Energy rebates are offered and paid by the energy supplier in states where such programs exist. Criterion is based on percentage of energy efficiency attained beyond the 2007 standard. Dollar amounts may differ.

Kenmore 6.5 cu. ft. Upright Freezer

46-29702 – White

- Manual defrost
- 4 wire shelves
- Mechanical temperature control
- Recessed handle
- Ice maker included
- Defrost drain
- CSA rating
- 21 1/2" W x 56 7/10" H x 21 1/2" D



Free Manuals Download Website

<http://myh66.com>

<http://usermanuals.us>

<http://www.somanuals.com>

<http://www.4manuals.cc>

<http://www.manual-lib.com>

<http://www.404manual.com>

<http://www.luxmanual.com>

<http://aubethermostatmanual.com>

Golf course search by state

<http://golfingnear.com>

Email search by domain

<http://emailbydomain.com>

Auto manuals search

<http://auto.somanuals.com>

TV manuals search

<http://tv.somanuals.com>