

# KENMORE REFRIGERATOR OWNER'S INSTRUCTIONS

MODEL 564.8963600

## READ THIS BOOK!

It will tell you how to operate and care for your refrigerator. It also offers tips on how to get the best, as well as lowest cost, performance.

If you prefer installing your own parts, use parts list to find the part number. Do not use the illustration number.

For parts or service information, call your nearest Sears Service Center/Department, give the complete model number listed above.

**Record in space provided below the model number and serial number of this appliance. They are located on the model number plate at the upper corner on the cabinet back.**

Model # \_\_\_\_\_ Serial # \_\_\_\_\_

### FULL ONE-YEAR WARRANTY ON REFRIGERATOR

For one year from the date of purchase, when this refrigerator is operated and maintained according to owner's instructions attached to or furnished with the product, Sears will repair this refrigerator, free of charge, if defective in material or workmanship.

### FULL FIVE-YEAR WARRANTY ON SEALED REFRIGERATION SYSTEM

For five years from the date of purchase, when this refrigerator is operated and maintained according to owner's instructions attached to or furnished with the product, Sears will repair the sealed system (consisting of refrigerant, connecting tubing and compressor motor), free of charge, if defective in material or workmanship.

The above warranty coverage applies only to refrigerators which are used for storage of food for private household purposes.

WARRANTY SERVICE IS AVAILABLE BY CONTACTING THE NEAREST SEARS SERVICE CENTER/DEPARTMENT IN THE UNITED STATES.

This warranty applies only while this product is in use in the United States.

This warranty gives you specific legal rights, and you may also have other rights which vary from state to state.

Sears, Roebuck and Co., Dept. 698/731A, Sears Tower, Chicago, IL 60684

MODEL 564.8963600

Net Capacity 3.6 Cubic Feet\*

## THINGS YOU OUGHT TO KNOW

### WHEN YOUR REFRIGERATOR IS INSTALLED

#### INSPECT

For shipping damage. If damaged, or parts missing, notify Sears at once.

#### INSTALLATION

Remove all packing material and tape.

Install on strong, level floor or counter.

Avoid any of direct sunbeam, heat source and moisture.

Let air circulate freely around refrigerator.

Keep rear of refrigerator 5 inches away from wall and provide at least 12 inches space on top for proper operation.

#### CAUTION

Should you turn off the cold control, allow at least three minutes before restarting in order to give the electric device cooling off time.

#### ELECTRICAL REQUIREMENTS

120 Volts, 60 Hz (60 cycles A.C.) 15 Amps circuit.

#### ELECTRICAL GROUNDING

Must be grounded. Uses 110-120 Volt 60 Hz (60 cycle) AC. Do not use extension cord. Use three-prong plug with three-prong grounded wall outlet.

Unless the above grounding method is followed, you are not protected against severe or lethal shock, in the event of a short circuit of an electrical component or wiring of refrigerator.

*\*Capacity manufacturer certified*

*(Association of Home Appliance Manufacturers)*

## USE AND CARE INFORMATION

#### ● Tips on everyday care and use

**To control temperature:** Start by setting control on middle position. Wait 24 hours for refrigerator to cool. The closer to MAX position is colder.

Fresh food section should be as cold as possible without freezing vegetables or milk. Adjust as necessary.

**Defrost** when freezer compartment builds up 1/4" of frost. Turn off control. Remove food. Do not use heater devices to speed defrosting. Do not scrape or use sharp objects in freezer. Let frost melt. Pan of warm water in freezer speeds defrosting. Empty drip tray. Reset cold control. Replace food.

**For all cleaning:** Mix 2 tablespoons baking soda with 1 quart warm water. Or use mild soap. No strong cleaners, scouring powder or pads. For persistent odors, Sears Service Department has odor removal products. Do not put the drip tray in dishwasher. Vacuum the tubing on outside back when dusty.

#### ● Things to remember

1. Allow 24 hours for your Refrigerator to reach a new temperature setting.
2. The motor will start and stop often. It must, to maintain the temperature you select.

3. Keep your refrigerator reasonably level.
4. Unplug refrigerator before doing anything with electrical system.

#### ● Before calling for service

Check plug and fuse. Test outlet with lamp. Be sure control is on. Read all USE AND CARE INFORMATION. Your questions may be answered. If not, find your model number (on upper back of refrigerator). Refer your number and problem to the Service Department at your nearest Sears store, or service center.

**DANGER – ELECTRICAL SHOCK HAZARD. Disconnect power before servicing.**

## ENERGY SAVING TIPS

WAYS TO SAVE POWER, SAVE MONEY, AND STILL ENJOY YOUR KENMORE

1. Reduce door openings.
2. Close the door as soon as you can.
3. Keep coils on back of refrigerator clean.
4. Adjust temperature control to warmer setting when practical.
5. Don't put hot foods in refrigerator.
6. Don't allow more than 1/4" of frost to build up in freezer compartment.
7. Keep your Kenmore away from stove or other heat sources.

# PARTS LIST

MODEL 564.8963600

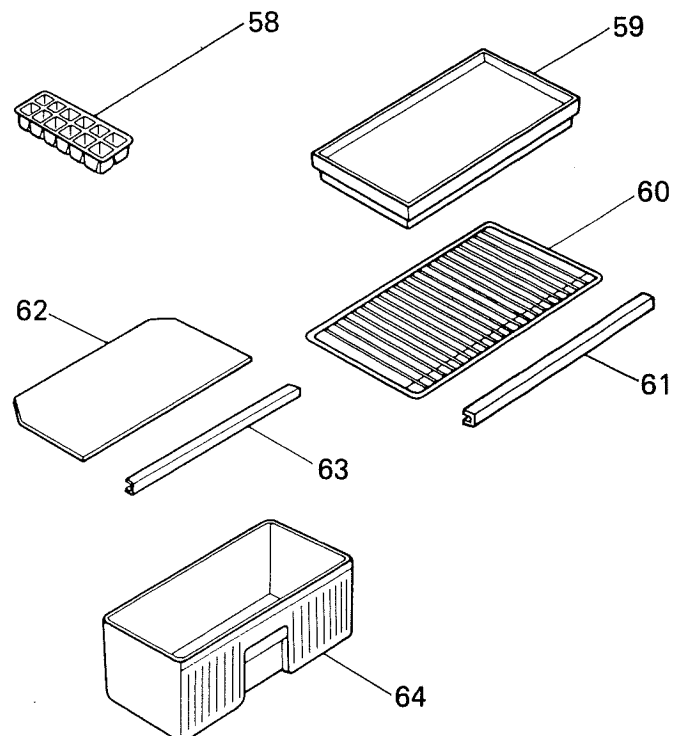
CAUTION: Use Kenmore part number on all orders, not the illustration number.

Illus. No.	Part No.	Description
1	300834	Door Liner
2	301242	Door Gasket
3	301245	Nameplate
4	301249	Tapping Screw
5	301241	Door
6	301247	Door Trim, Upper
7	301246	Door Trim, Middle
8	301248	Door Trim, Bottom
9	301243	Trim Hinge (4)
10	301250	Tapping Screw
11	301244	Handle (2)
12	300459	Bolt
13	300460	Hinge, Top
14	301238	Support Plate
15	300461	Grommet, Evaporator Door (2)
16	301237	Evaporator Door
17	300204	Thermostat
18	300165	Bracket, Thermostat
19	300463	Machine Screw
20	300464	Control Box
21	300465	Tapping Screw
22	300141	Control Knob
23	300466	Retainer Screw
24	300318	Tapping Screw
25	300830	Hinge, Bottom
26	300828	Foot, Right
27	300829	Bolt, Bottom Hinge
28	300373	Foot
29	300158	Power Supply Cord
30	301157	Shim, Power Supply Cord
31	301158	Clamp, Power Supply Cord
32	300308	Tapping Screw
33	300167	Splice Box
34	300469	Machine Screw
35	301240	Top Table
36	301239	Support Plate, Rear
37	300471	Bolt
38	300189	Compressor Base
39	300711	Retainer, Relay Cover
40	300712	Relay Cover
41	300713	PTC Thermistor
42	300047	Clamper, Lead Wire
43	300720	Condenser
44	300502	Bracket (3)
45	300474	Evaporator
46	300249	Tube Cover
47	301236	Door Shelf Trim, Upper

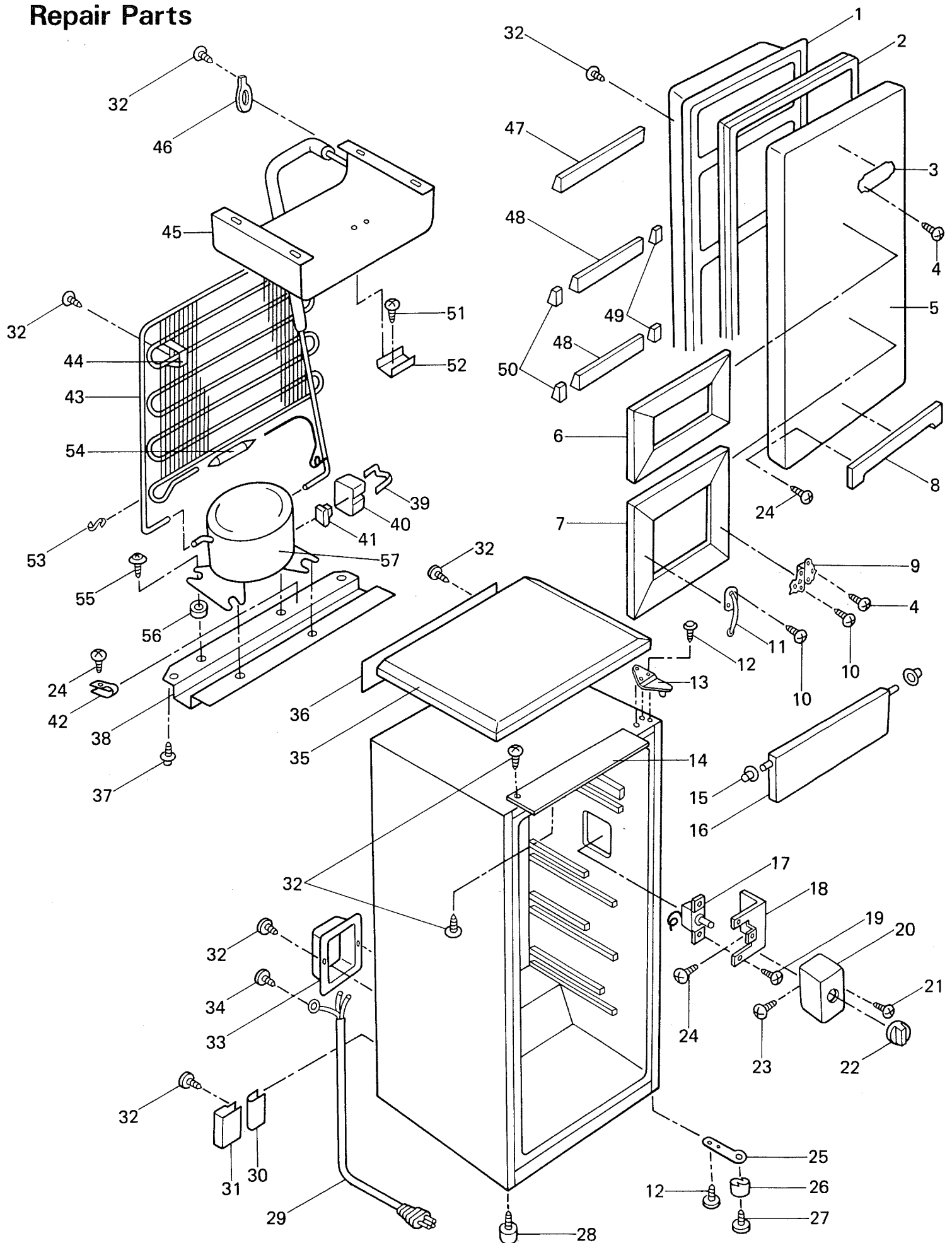
Illus. No.	Part No.	Description
48	301235	Door Shelf Trim, Lower (2)
49	300837	Bushing (2), Left
50	300838	Bushing (2), Right
51	300480	Machine Screw
52	300479	Clamp, Thermostat Bulb
53	300426	Clip, Tube
54	300183	Dryer
55	300413	Bolt
56	300430	Grommet (4)
57	300714	Compressor
58	300152	Ice Cube Tray (2)
59	301231	Drip Tray
60	300483	Shelf (2)
61	301233	Trim, Shelf (2)
62	300435	Glass Shelf
63	301232	Trim, Glass Shelf
64	301234	Crisper

## Parts Not Illustrated

301252	Owner's Instruction Manual and Parts List
300717	Technical Sheet
300488	Use & Care Label
301251	Energyguide Label
300195	Grounding Tag



# Repair Parts



## Free Manuals Download Website

<http://myh66.com>

<http://usermanuals.us>

<http://www.somanuals.com>

<http://www.4manuals.cc>

<http://www.manual-lib.com>

<http://www.404manual.com>

<http://www.luxmanual.com>

<http://aubethermostatmanual.com>

Golf course search by state

<http://golfingnear.com>

Email search by domain

<http://emailbydomain.com>

Auto manuals search

<http://auto.somanuals.com>

TV manuals search

<http://tv.somanuals.com>