

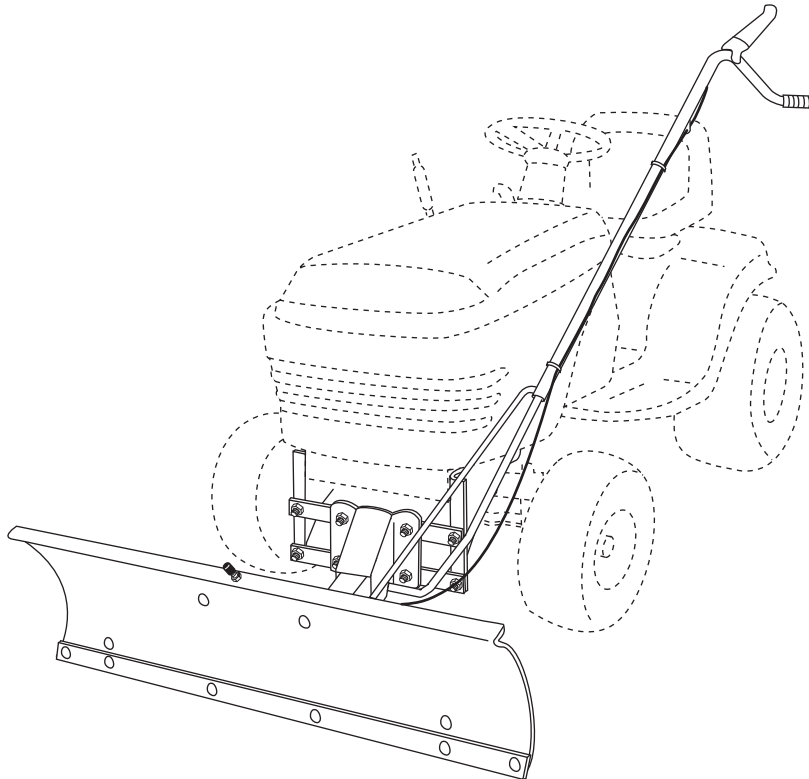
Operator's Manual



42" SNOW BLADE

Model No. 486.244412

DO NOT RETURN TO STORE
For Missing Parts or Assembly
Questions Call 1-866-576-8388



CAUTION:

Before using this product, read and follow all Safety, Assembly and Operating Instructions

- Safety
- Assembly
- Operation
- Maintenance
- Parts

IMPORTANT: For Missing Parts or Assembly Questions Call 866-576-8388

Sears Brands Management Corporation, Hoffman Estates, IL 60179 U.S.A.
www.sears.com/craftsman

TABLE OF CONTENTS

WARRANTY.....	2	MAINTENANCE.....	15
SAFETY RULES.....	2	SERVICE AND ADJUSTMENTS.....	16
ACCESSORIES AND ATTACHMENTS.....	3	STORAGE.....	16
FULL SIZE HARDWARE CHART.....	3	TROUBLESHOOTING.....	17
CARTON CONTENTS.....	4	REPAIR PARTS ILLUSTRATION.....	18
ASSEMBLY.....	5-13	REPAIR PARTS LIST.....	19
OPERATION.....	14-15	PARTS ORDERING/SERVICE.....	BACK COVER



SAFETY



Any power equipment can cause injury if operated improperly or if the user does not understand how to operate the equipment. Exercise caution at all times when using power equipment.

- Read the tractor and snow blade owner's manuals and know how to operate your tractor before using tractor with snow blade attachment.
- Never operate tractor and snow blade without wearing proper clothing suited to weather conditions and operation of controls.
- Never allow children to operate tractor and snow blade, and do not allow adults to operate without proper instructions.
- Always begin with transmission in first (low) gear and gradually increase speed as conditions permit.



Look for this symbol to point out important safety precautions. It means — **Attention!! Become alert!! Your safety is involved.**

WARRANTY

CRAFTSMAN ONE YEAR FULL WARRANTY

FOR ONE YEAR from the date of purchase, this product is warranted against any defects in material or workmanship. A defective product will be replaced free of charge.

For warranty coverage details to obtain free replacement, visit the web site: www.craftsman.com

This warranty is void if this product is ever used while providing commercial services or if rented to another person.

This warranty gives you specific legal rights, and you may also have other rights which vary from state to state.

Sears Brands Management Corporation, Hoffman Estates, IL 60179

DO NOT RETURN TO STORE for Missing Parts or Assembly Questions

Call 1-866-576-8388 Attachment Hotline

The model number and serial numbers will be found on a decal attached to the snow blade.

You should record both the serial number and the date of purchase and keep in a safe place for future reference.

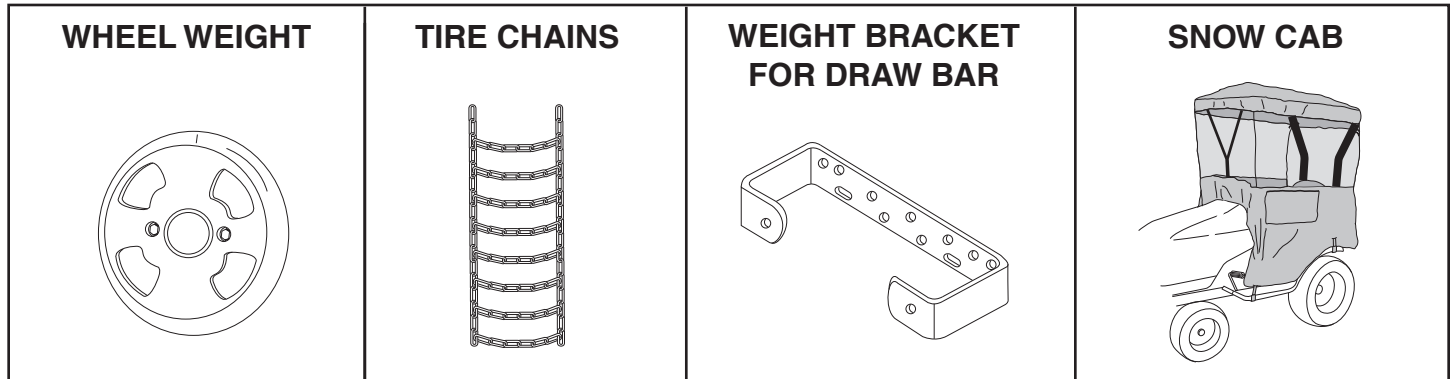
MODEL NUMBER: 486.244412

SERIAL NUMBER: _____

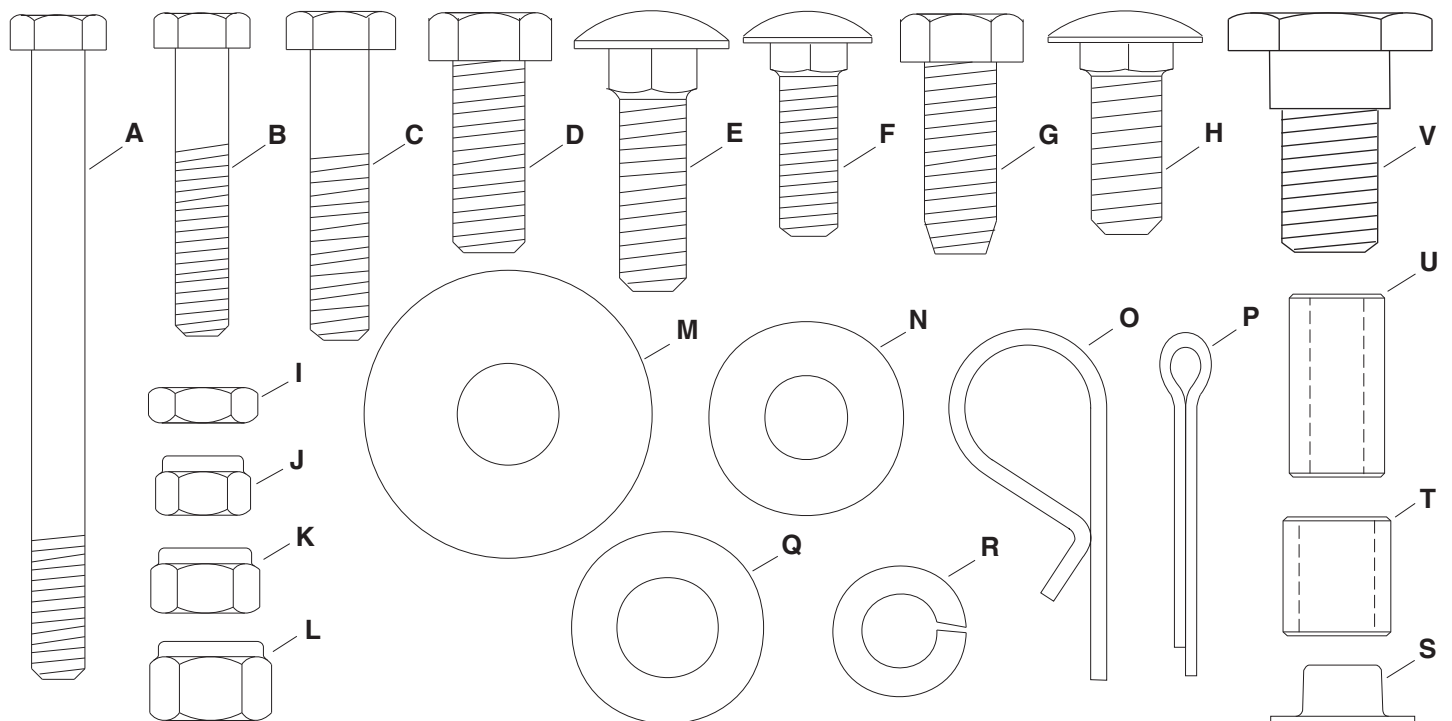
DATE OF PURCHASE: _____

ACCESSORIES AND ATTACHMENTS

These and other accessories are recommended for use with your unit. Call 1-800-4-MY-HOME® to find out if they are available. If available, they may be purchased at most Craftsman outlets or by calling 1-800-4-MY-HOME®.

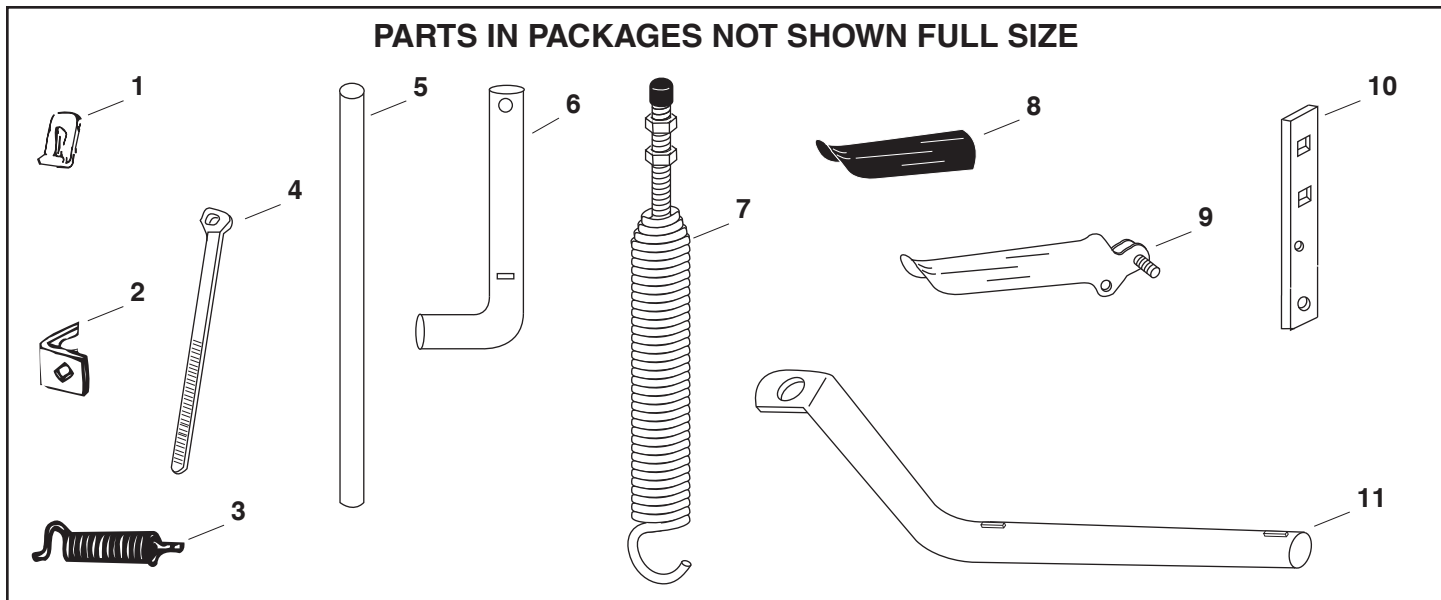


FULL SIZE HARDWARE CHART



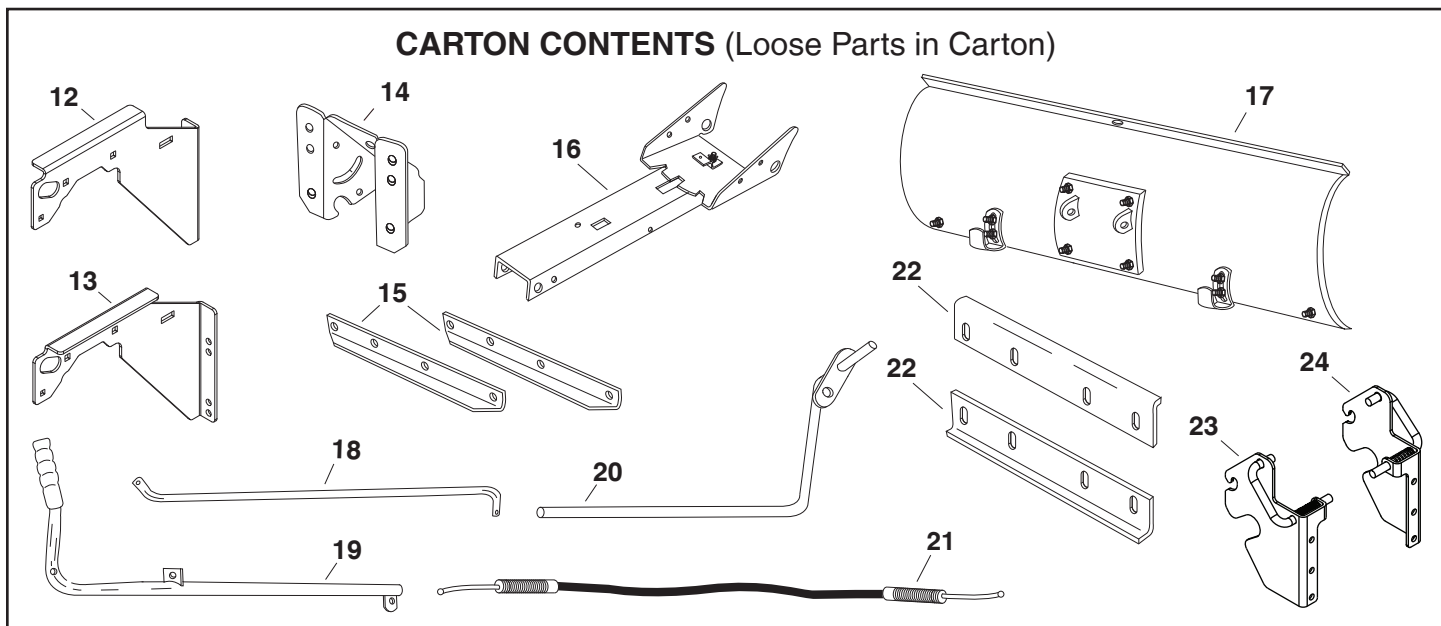
REF.	PART NO.	QTY.	DESCRIPTION	REF.	PART NO.	QTY.	DESCRIPTION
A	46071	1	Hex Bolt, 1/4-20 x 3-1/4"	L	HA21362	18	3/8" Nylock Hex Nut
B	43648	1	Hex Bolt, 1/4-20 x 1-1/2"	M	R19172410	8	Washer, 1/2" (Large)
C	43085	1	Hex Bolt, 5/16-18 x 1-1/2"	N	43070	6	3/8" Washer
D	43001	14	Hex Bolt, 3/8-16 x 1"	O	43055	4	Hairpin Cotter
E	710-0305	2	Carriage Bolt, 3/8-16 x 1-1/4"	P	43010	2	Cotter Pin 1/8" x 1-1/4"
F	44326	2	Bolt, Carriage 5/16-18 x 1"	Q	1540-118	1	1/2" Washer
G	47631	6	Hex Bolt, 3/8" x 1" (Thd. Forming)	R	43003	6	3/8" Lock Washer
H	43350	6	Carriage Bolt, 3/8-16 x 1"	S	44917	2	Palnut, 3/8"
I	712-0256	2	Hex Jam Nut, 5/16" Fine Thread	T	23658	1	Spacer, 5/8" Long
J	47189	3	1/4" Nylock Hex Nut	U	46053	2	Spacer, 1" long
K	47810	3	5/16" Nylock Hex Nut	V	48106	2	Shoulder Bolt, 3/8 x .9"

PARTS IN PACKAGES NOT SHOWN FULL SIZE



REF.	QTY.	DESCRIPTION	REF.	QTY.	DESCRIPTION
1	2	Cable End Fitting	7	1	Blade Adjust Spring
2	1	Cable Mount Bracket	8	1	Plastic Grip
3	1	Angle Lock Spring	9	1	Grip Assembly
4	2	Nylon Tie	10	2	Angle Lock Bars
5	1	Spring Mount Rod	11	1	Blade Pivot Shaft
6	1	Channel Pivot Pin			

CARTON CONTENTS (Loose Parts in Carton)



REF.	QTY.	DESCRIPTION	REF.	QTY.	DESCRIPTION
12	1	Hanger Bracket, L.H.	19	1	Lift Handle Tube
13	1	Hanger Bracket, R.H.	20	1	Lift Handle Rod
14	1	Pivot Support Bracket	21	1	Cable
15	2	Angle Support Bracket	22	2	Slotted Angle Support Bracket
16	1	Channel Assembly	23	1	Quick Attach Bracket (RH)
17	1	Blade Assembly	24	1	Quick Attach Bracket (LH)
18	1	Blade Pivot Rod			

ASSEMBLY

TOOLS REQUIRED FOR ASSEMBLY

- (1) Pliers
- (1) Hammer
- (1) Adjustable Wrench (or socket set)
- (1) 9/16" Open End or Box End Wrench
- (1) 7/16" Open End or Box End Wrench
- (1) 1/2" Open End or Box End Wrench

NOTE: Not all of the supplied parts and hardware will be needed for any one particular tractor. Unneeded items may be discarded after assembly has been completed.

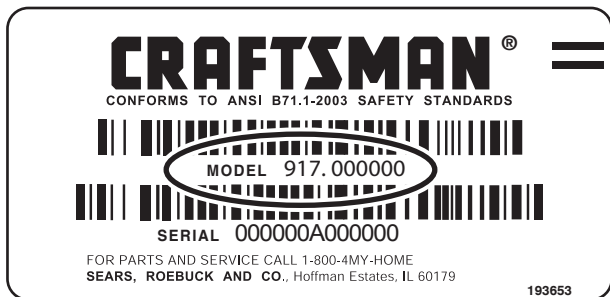
NOTE: Right hand (RH) and left hand (LH) are determined from the operator's position while seated on the tractor.



CAUTION: Do not begin assembling until the tractor engine, muffler and exhaust deflector have been allowed to cool off.

LOCATE MODEL LABEL OF TRACTOR

- Look under your tractor seat, locate the serial number, and proceed to the step as shown.



**917 MODEL TRACTORS
GO TO PAGE 5**



**247 MODEL TRACTORS
GO TO PAGE 8**

INSTRUCTIONS FOR 917 MODEL TRACTORS

LOCATE MOWER SUSPENSION BRACKETS

- Look under the front of your tractor.
- If there is a single mower deck suspension bracket located underneath the middle of the front axle as shown in the image below, proceed to **INSTRUCTIONS FOR TRACTORS WITH SINGLE FRONT DECK SUSPENSION BRACKET** below.
- If your tractor does not have a mower deck suspension bracket underneath the middle of the front axle, proceed to **INSTRUCTIONS FOR TRACTORS WITH DUAL FRONT SUSPENSION BRACKETS** on page 6.

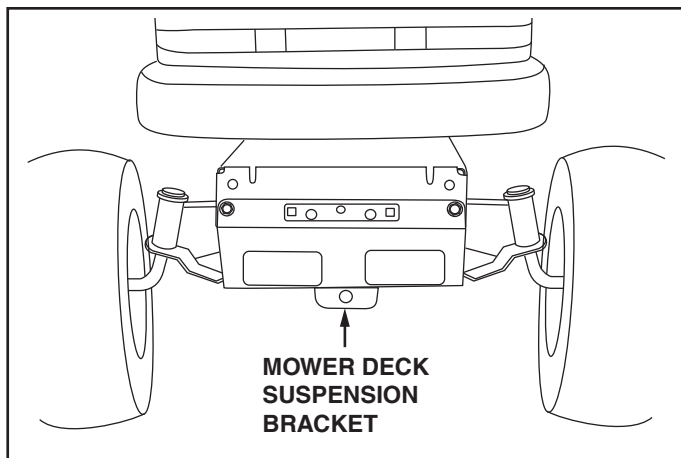


FIGURE 1

INSTRUCTIONS FOR TRACTORS WITH SINGLE FRONT DECK SUSPENSION BRACKET

STEP 1: (SEE FIGURE 2)

- Remove the tractor hood. Refer to your tractor owners manual for instructions on how to properly remove the hood.
- Remove the browning shield from the front of the tractor as shown. Hold onto the shield as you remove the second bolt to prevent it from falling.

NOTE: Reinstall the browning shield before using your tractor.

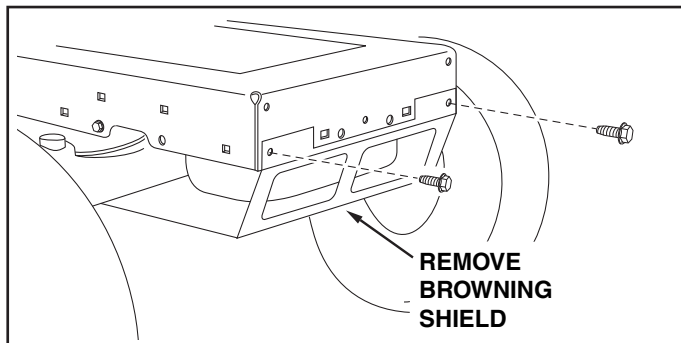


FIGURE 2

STEP 2: (SEE FIGURE 3)

- Fasten the R.H. Side Plate (bend facing out) to the front three holes in the tractor frame using three 3/8" x 1" carriage bolts (H), three large 1/2" washers (M) (see note) and three 3/8" nylock nuts (L). For the rear hole, use a 5/16" x 1" carriage bolt (F), a large 1/2" washer (M) and a 5/16" nylock nut (K). Place the washers between the tractor frame and the side plate. Tighten all bolts. Repeat for L.H. side plate.
- Reinstall the browning shield removed in figure 2.
- Proceed to **INSTRUCTIONS FOR ALL 917 MODEL TRACTORS** on page 8.

NOTE: If there is an engine mounting plate (shown with dotted lines) leave the large 1/2" washer (M) off the bolt that goes through the plate.

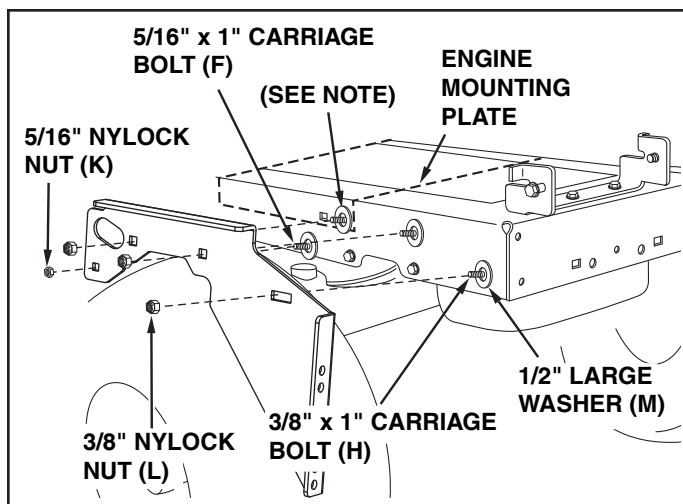


FIGURE 3

INSTRUCTIONS FOR TRACTORS WITH DUAL FRONT DECK SUSPENSION BRACKETS

IDENTIFY YOUR SUSPENSION BRACKETS

- Compare your tractor to the illustrations shown below.
- If your tractor resembles the top illustration, proceed to **INSTRUCTIONS FOR TYPE A TRACTORS** below.
- If your tractor resembles the bottom illustration, proceed to **INSTRUCTIONS FOR TYPE B TRACTORS** on page 7.

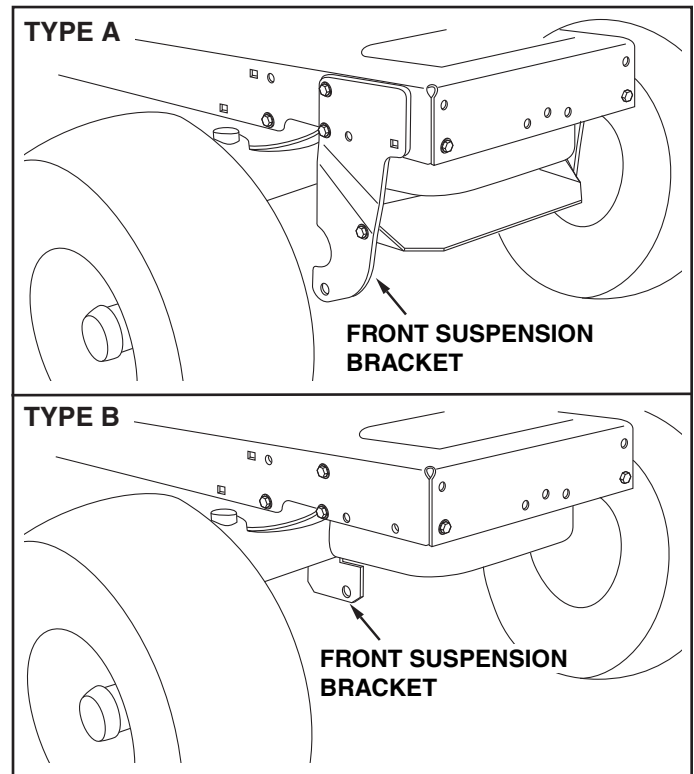


FIGURE 4

INSTRUCTIONS FOR TYPE A TRACTORS

STEP 1: (SEE FIGURE 5)

- Remove any bolts found in the holes indicated in the illustration.

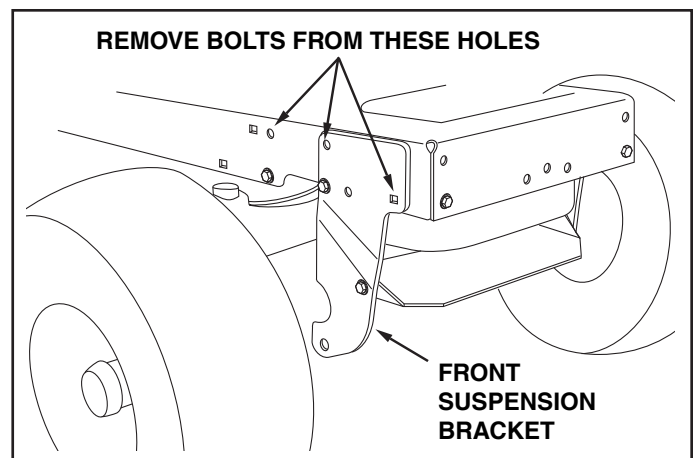


FIGURE 5

STEP 2: (SEE FIGURE 6)

- Attach the R.H. hanger bracket to the two front empty holes on the right side of the tractor frame using two new 3/8" x 1" hex bolts (D), 3/8" lock washers (R), and 3/8" flat washers (N) as shown. For the rear hole, use a 3/8" x 1" hex bolt (D), 3/8" lock washer (R) and 3/8" flat washer (N) with a large 1/2" washer (M) placed between the hanger bracket and the tractor frame. **Tighten.** Repeat for the left side.
- Proceed to **INSTRUCTIONS FOR ALL 917 MODEL TRACTORS** on page 8.

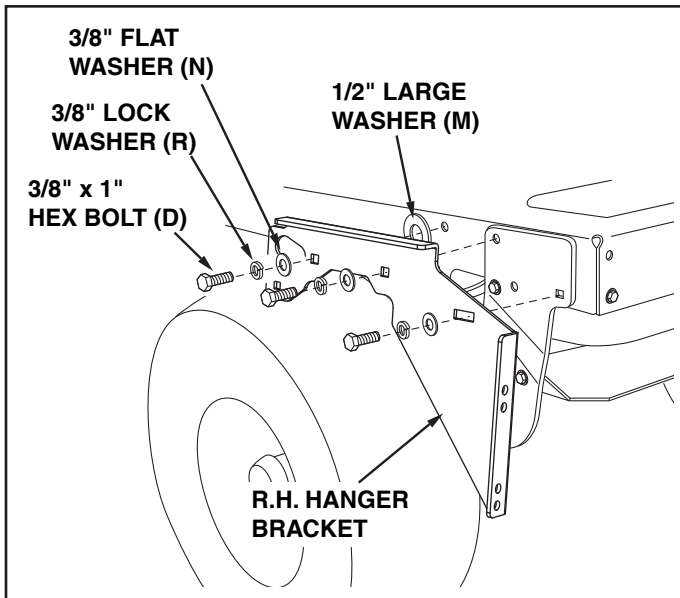


FIGURE 6

INSTRUCTIONS FOR TYPE B TRACTORS

STEP 1: (SEE FIGURE 7)

- Remove any bolts found in the holes indicated in the illustration.

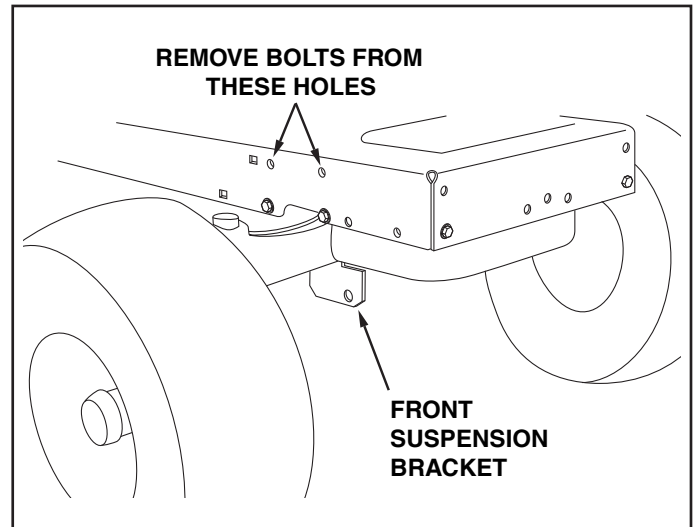


FIGURE 7

STEP 2: (SEE FIGURE 8)

- Attach the R.H. hanger bracket to the three holes shown on the side of the tractor frame using three 3/8" x 1" hex bolts (D), 3/8" lock washers (R), 3/8" flat washers (N) and 1/2" large washers (M). Use 3/8" nylock nuts (L) on inside of frame if bolts insert freely into holes. **Tighten.**
- Repeat for other side.
- Proceed to **INSTRUCTIONS FOR ALL 917 MODEL TRACTORS** on page 8.

NOTE: Use special 3/8" x 1" thread forming bolts (G) in any holes that are too small for regular bolts.

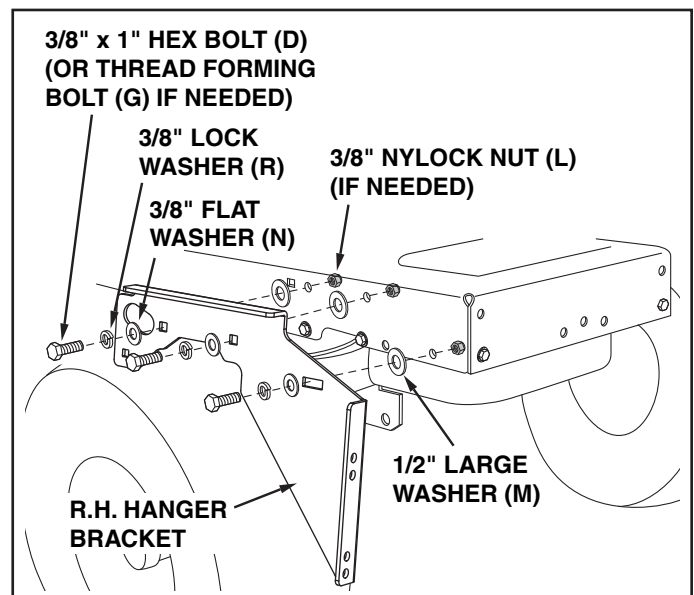


FIGURE 8

INSTRUCTIONS FOR ALL 917 MODEL TRACTORS

STEP 1: (SEE FIGURE 9)

- Assemble one angle support bracket to the topmost set of holes in the hanger brackets using two 3/8" x 1" hex bolts (D) and 3/8" nylock nuts (L). Assemble the second angle support bracket to the second from the bottom set of holes in the hanger brackets using two 3/8" x 1" hex bolts (D) and 3/8" nylock nuts (L). Be sure the brackets are turned as shown. **Do not tighten yet.**

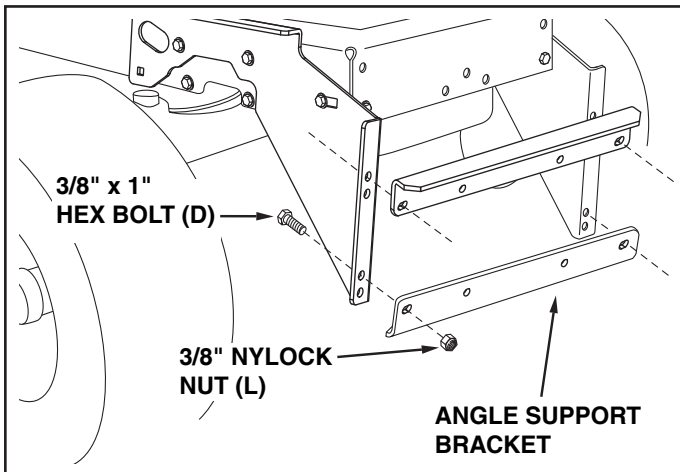


FIGURE 9

STEP 2: (SEE FIGURE 10)

- Assemble the pivot support bracket to the angle support brackets using four 3/8" x 1" hex bolts (D) and four 3/8" nylock nuts (L). **Do not tighten yet.**
- Tighten** the 4 bolts fastening the angle support brackets to the hanger brackets.
- Tighten** the 4 bolts fastening the pivot support bracket to the angle support brackets.
- Proceed to **BLADE ASSEMBLY FOR ALL TRACTORS** on page 10.

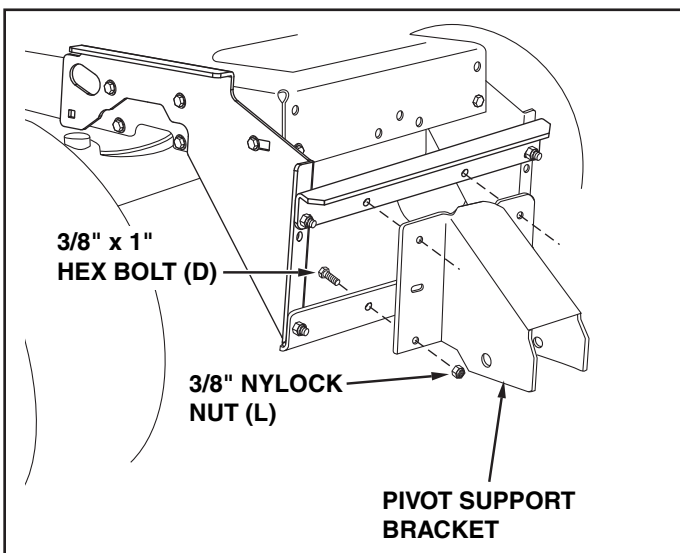


FIGURE 10

INSTRUCTIONS FOR 247 MODEL TRACTORS

STEP 1: (SEE FIGURE 11)

- Assemble one slotted angle support bracket to the top set of holes in the quick attach brackets using two 3/8" x 1" hex bolts (D) and 3/8" nylock nuts (L). **Do not tighten**
- Assemble the other slotted angle support bracket to the bottom set of holes in the quick attach brackets using two 3/8" x 1" hex bolts (D) and 3/8" nylock nuts (L). **Do not tighten.**

NOTE: Be sure brackets are turned as shown.

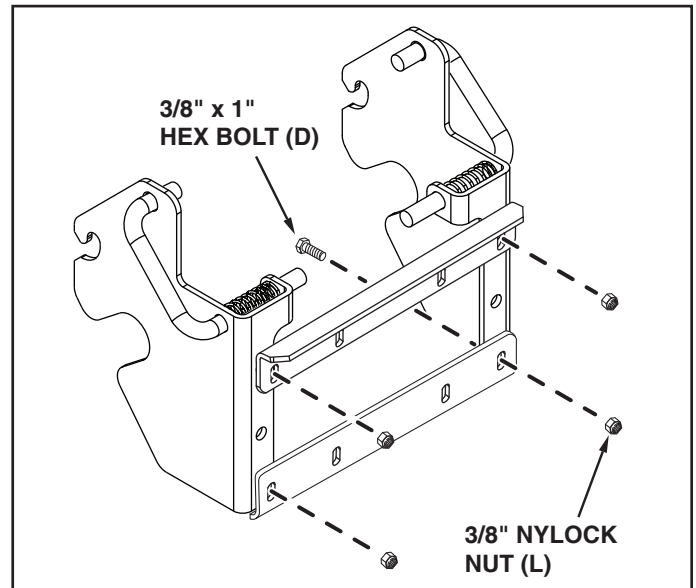


FIGURE 11

STEP 2: (SEE FIGURE 12)

- Assemble the pivot support bracket to the slotted angle support brackets using four 3/8" x 1" hex bolts (D) and four 3/8" nylock nuts (L). **Do not tighten yet.**
- Tighten** the 4 bolts fastening the slotted angle support brackets to the quick attach brackets.
- Tighten** the 4 bolts fastening the pivot support bracket to the slotted angle support brackets.

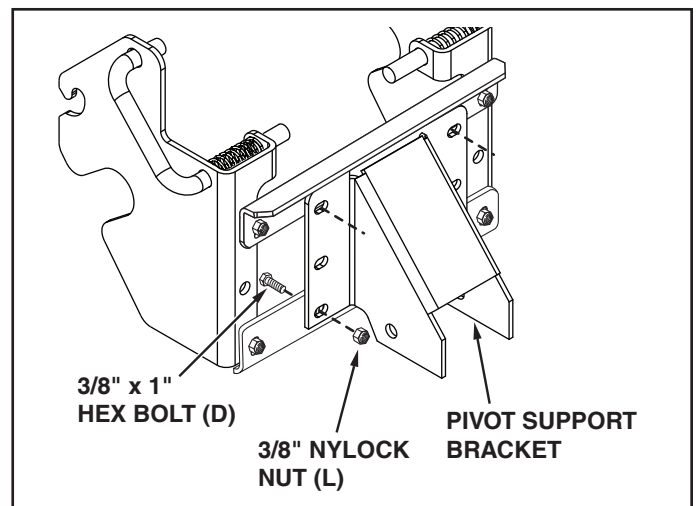


FIGURE 12

STEP 3: (SEE FIGURE 13)

- Assemble a shoulder bolt (V) and a 3/8" nylock nut (L) to the front bracket on each side of the tractor, unless a shoulder bolt is already present.

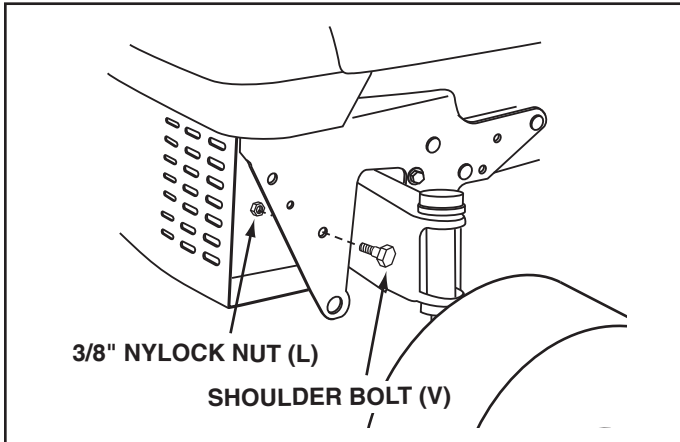


FIGURE 13

STEP 4: (SEE FIGURE 14)

- Pull out on the attachment pins on the hitch assembly and swing the top of the pins down away from the holes they were in.
- Hook the hitch assembly onto the shoulder bolts in the sides of the tractor frame.
- Align the holes in the hitch assembly with the holes in the tractor frame. Insert the attachment pins to lock the hitch assembly in place.
- Proceed to **BLADE ASSEMBLY ALL TRACTORS** on page 10.

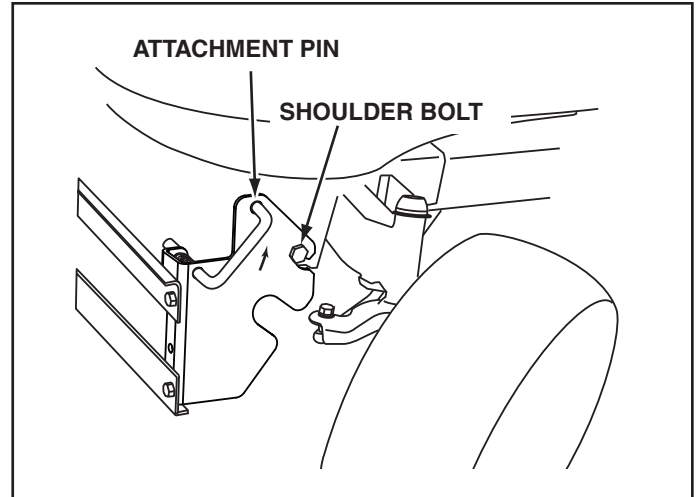


FIGURE 14

BLADE ASSEMBLY FOR ALL TRACTORS

STEP 1: (SEE FIGURE 15)

- Assemble the two angle lock bars together as shown in figure 6, so that all holes are aligned. Use one 3/8" x 1-1/4" carriage bolt (E) and one 3/8" nylock nut (L). Be sure to insert bolt from side indicated. **Do not tighten at this time.**
- Hold the angle lock bars so that the square holes are at the top. Insert the straight hook end of the angle lock spring through the small middle hole in both angle lock bars.

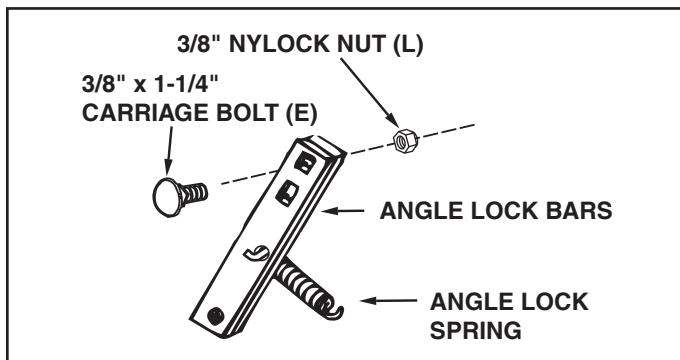


FIGURE 15 (Right Hand Side View)

STEP 2: (SEE FIGURE 16)

- Insert the round hook end of the angle lock spring up through the hole in the spring mount bracket.
- Insert the angle lock bars down through the slot in the channel. Underneath the channel, place a 1" long spacer (U) on each side of the angle lock bars and insert a 1/4" x 3-1/4" bolt (A) through the channel, angle lock bars and the spacers. Secure the bolt with a 1/4" nylock nut (J). **Tighten** so that lock bars can pivot freely.
- At this time **tighten** the 3/8" carriage bolt and hex nut previously assembled to angle lock bars.

NOTE: When the angle lock bars are pulled back in slot, the pivot plate should unlock and be free to pivot to the right or left position.

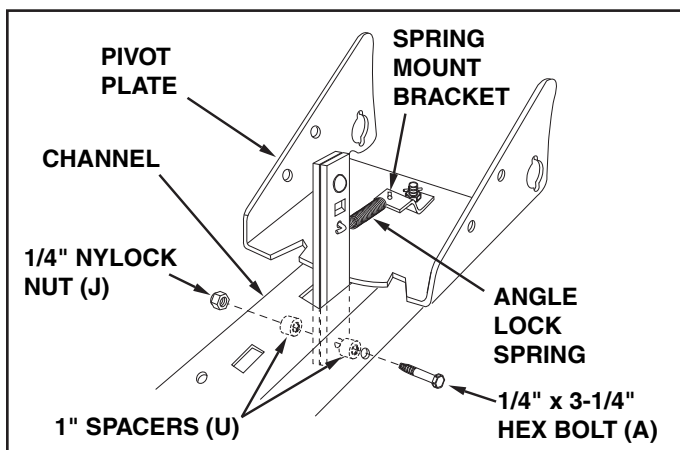


FIGURE 16 (Right Hand Side View)

STEP 3: (SEE FIGURE 17)

- Using a hammer, assemble a 3/8" palnut (S) onto one end of the spring mount rod. Insert the other end of the spring mount rod through the pivot plate using the rear set of holes. Support the assembled end of the spring mount rod on a block of wood, and assemble the remaining palnut onto the other end of the rod.

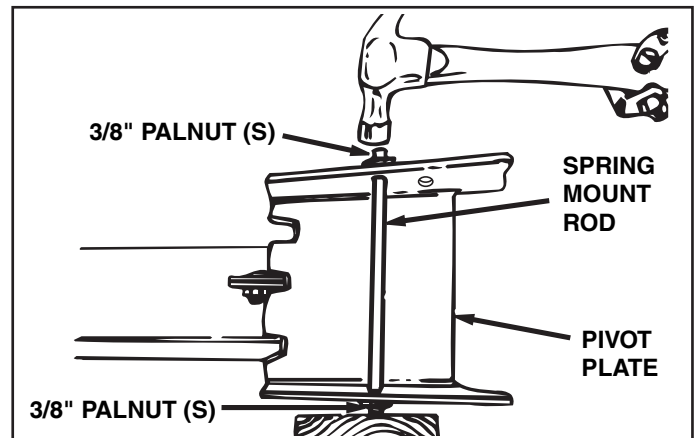


FIGURE 17 (Top View)

STEP 4: (SEE FIGURE 18)

- Assemble a 3/8" x 1-1/4" carriage bolt (E) through the square hole in the cable mount bracket and through the square hole in the angle lock bars. (The carriage bolts should face in opposite directions.) Using pliers hold the cable mount bracket in position, angling down towards the L.H. hole in the channel as shown in figure 15. Secure with a 3/8" nylock nut (L). **Tighten.** Refer to the figure for the correct angle for the cable mount bracket.

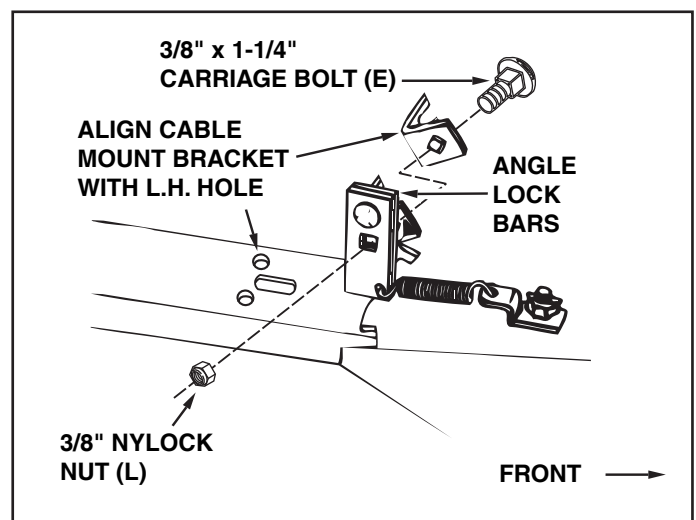


FIGURE 18 (Right Hand Side View)

STEP 5: (SEE FIGURE 19)

- Assemble one 5/16" jam nut (I) approximately 3/4" onto threaded end of control cable that has no rubber cap or preassembled nuts. Assemble threaded cable end through round hole in cable mount bracket and secure with another 5/16" jam nut (I). **Tighten.**

NOTE: Some adjustment of jam nuts may be required after blade assembly is completed.

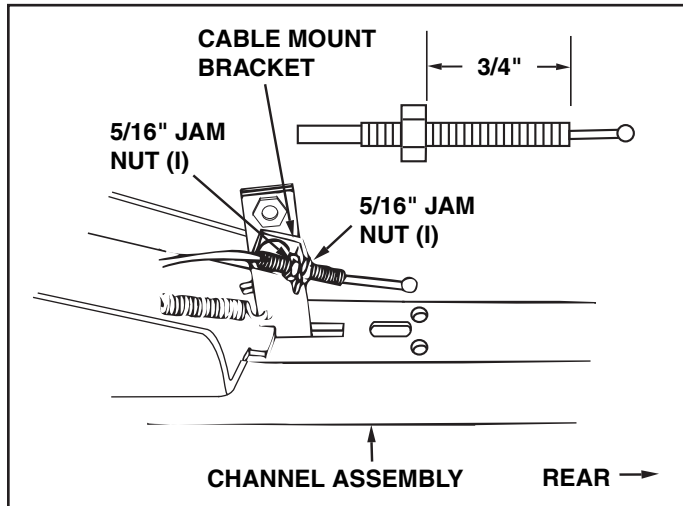


FIGURE 19 (Left Hand Side View)

STEP 6: (SEE FIGURE 20)

- Assemble ball end of control cable up through hole in cable end fitting and pull until ball slips inside curled edge of fitting. If ball won't slip under edge of curl, it will need to be inserted through open end of curl.
- Assemble 1/4" x 1-1/2" (B) hex bolt down through the cable end fitting, the 5/8" long spacer (T) and the left hand hole in the channel assembly. Secure with a 1/4" nylock nut (J). **Tighten.**

NOTE: Make sure the cable mount bracket is aligned with the cable end fitting to prevent binding of cable. The other end of the control cable will be attached in a later step.

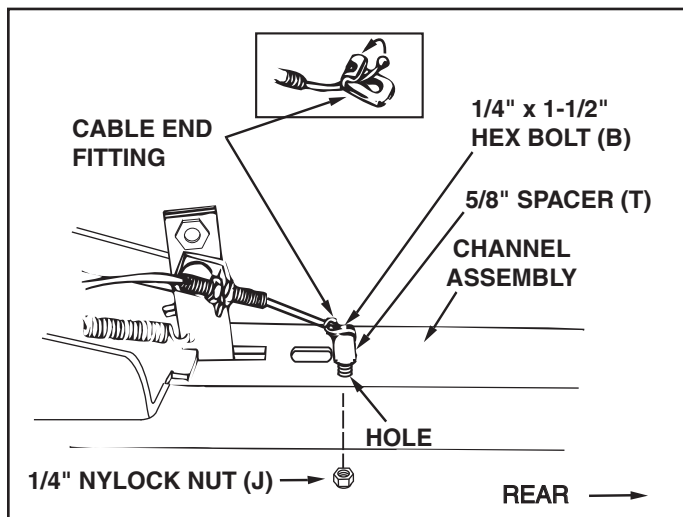


FIGURE 20 (Left Hand Side View)

STEP 7: (SEE FIGURE 21)

- To attach the blade to the channel assembly, align the notched holes in the pivot plate with the notched holes in the blade. Insert a 1/8" x 1-1/4" cotter pin (P) down through the hole at the bend in the blade pivot shaft. Spread the ends of the pin. From the left side insert the blade pivot shaft, bend facing top of blade, through the notched holes. Secure the shaft with another 1/8" x 1-1/4" cotter pin (P) through the end hole in the shaft. Spread the ends of the pin.
- Remove the plastic cap and one 3/8" hex nut from the bolt in the blade adjust spring. Adjust the remaining 3/8" hex nut down approximately 1" onto the bolt threads. Hook the spring over the spring mount rod. Place the bolt up through the hole in the top edge of the blade and reassemble the other 3/8" hex nut to the bolt and tighten down against the top edge of the blade. Replace the plastic cap over the end of the bolt threads.

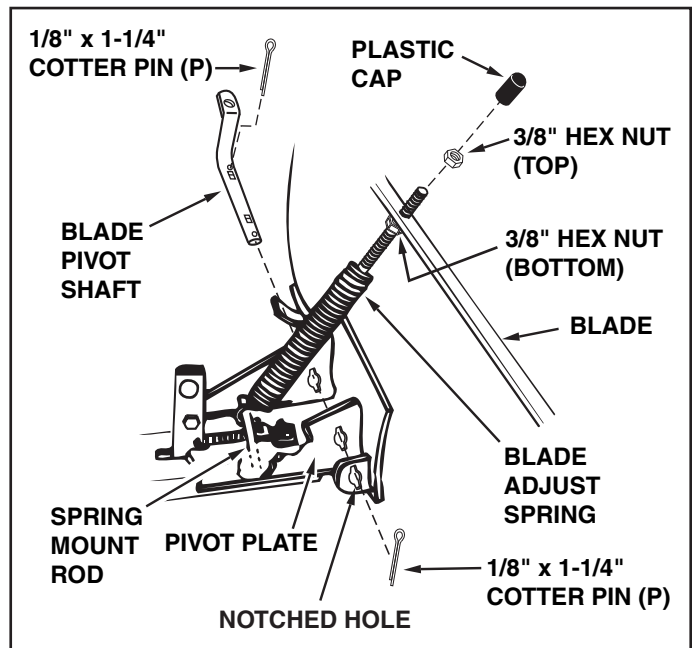


FIGURE 21 (Right Hand Side View)

STEP 8: (SEE FIGURE 22)

- Assemble the large 1/2" washer (Q) onto the channel pivot pin.
- Attach the channel assembly to the tractor by placing the end of the channel assembly up inside the pivot support bracket on the tractor. Align the hole in the pivot support bracket with the second hole from the end in the channel assembly. Insert the channel pivot pin through the aligned holes from the left side and secure with a hairpin cotter (O).

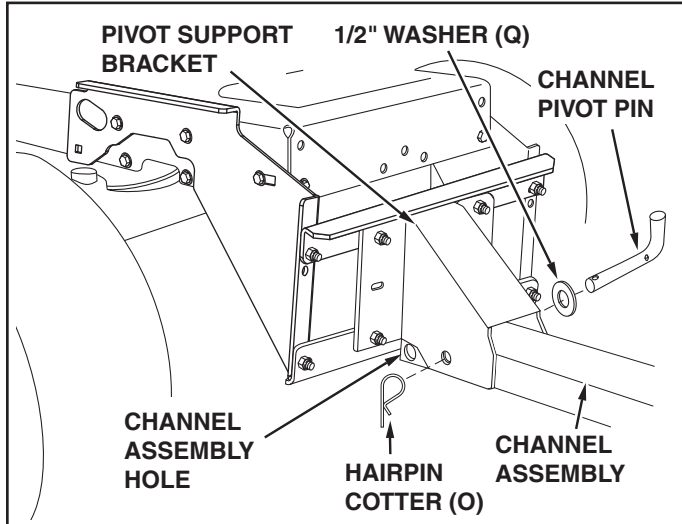


FIGURE 22 (Right Hand Side View)

STEP 9: (SEE FIGURE 23)

- From the left side, insert the welded end of the lift handle rod through the hole in the end of the channel assembly (Figure 18). Next, insert the lift link pin through the hole in the bracket that is welded to the lift handle rod. (The lift link is pre-assembled to the pivot support bracket). Secure the bracket with a hairpin cotter (O) inserted up through the lift link pin.
- Apply a light coating of oil to the straight upper portion of the lift handle rod. Slide the lift handle tube onto the rod.

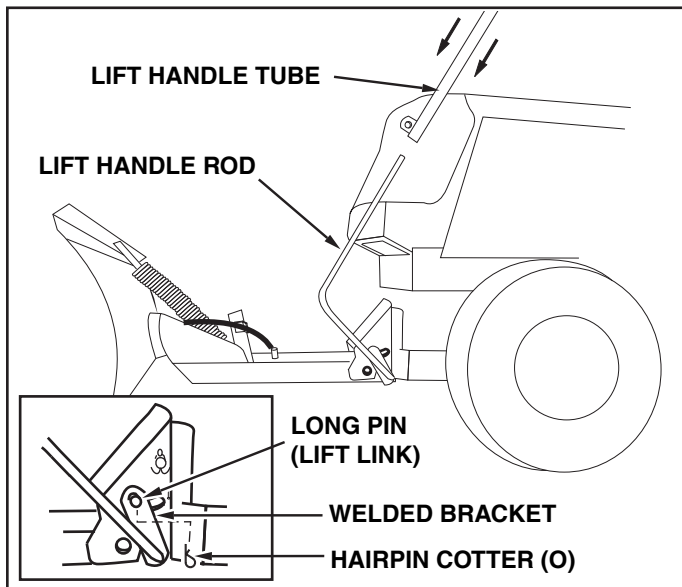


FIGURE 23 (Left Hand Side View)

STEP 10: (SEE FIGURE 24)

- Remove the rubber cap and the first jam nut from the threaded end of the control cable and slide them onto the control cable wire. Adjust the second jam nut on the threads so that it is approximately 3/4" from end. Assemble threaded end of cable through the cable mount bracket and secure it with the first jam nut. Reinstall the rubber cap onto the threaded cable end.

NOTE: Some adjustment of jam nuts may be required after blade assembly is completed.

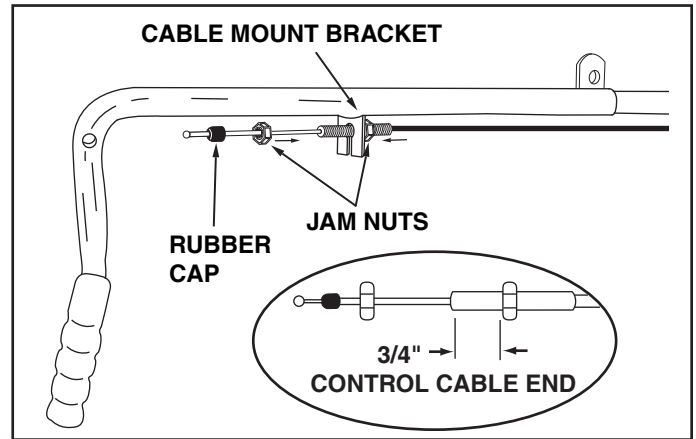


FIGURE 24 (Right Hand Side View)

STEP 11: (SEE FIGURE 25)

- Assemble plastic grip onto lock release grip assembly.
- Attach lock release grip assembly to lift handle tube using one 5/16" x 1-1/2" hex bolt (C) and one 5/16" nylock nut (K). **Do not overtighten** the nut. The grip assembly must pivot freely.
- Assemble the ball end of the cable to a cable end fitting as you did to the other end of the cable. Secure the cable end fitting to the weld bolt on the lock release grip with a 1/4" nylock nut (J). **Do not overtighten** the lock nut. The cable fitting must pivot freely.

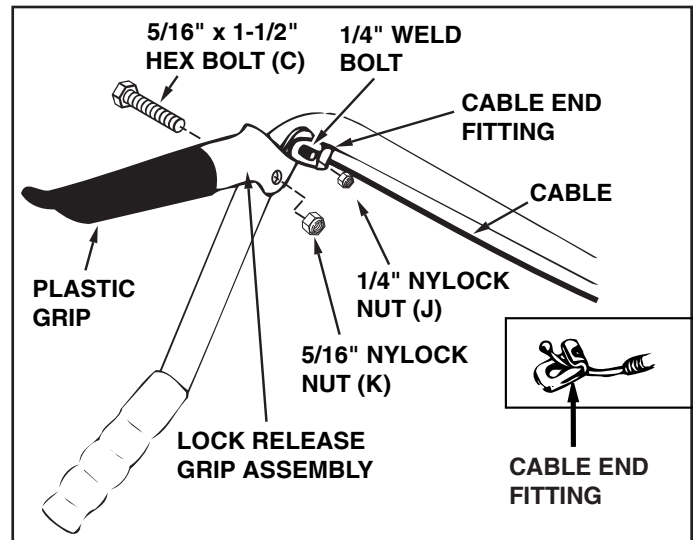


FIGURE 25 (Right Hand Side View)

STEP 12: (SEE FIGURE 26)

- Place the end of the blade pivot rod down through the blade pivot shaft. Attach the other end of the blade pivot rod to the lift handle tube. Secure both ends with a hairpin cotter (O). The holes for the hairpin cotters should be parallel to the ground.
- Use the two plastic ties to hold the cable securely to the outside of the handle tube and away from the tractor to avoid direct heat from the tractor muffler.
- Squeeze the grip assembly to check blade pivot. To adjust, see Service & Adjustments section on p. 16.

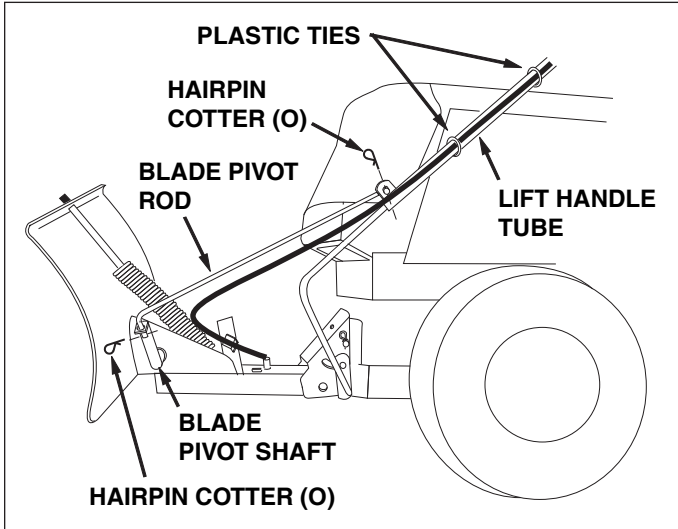


FIGURE 26

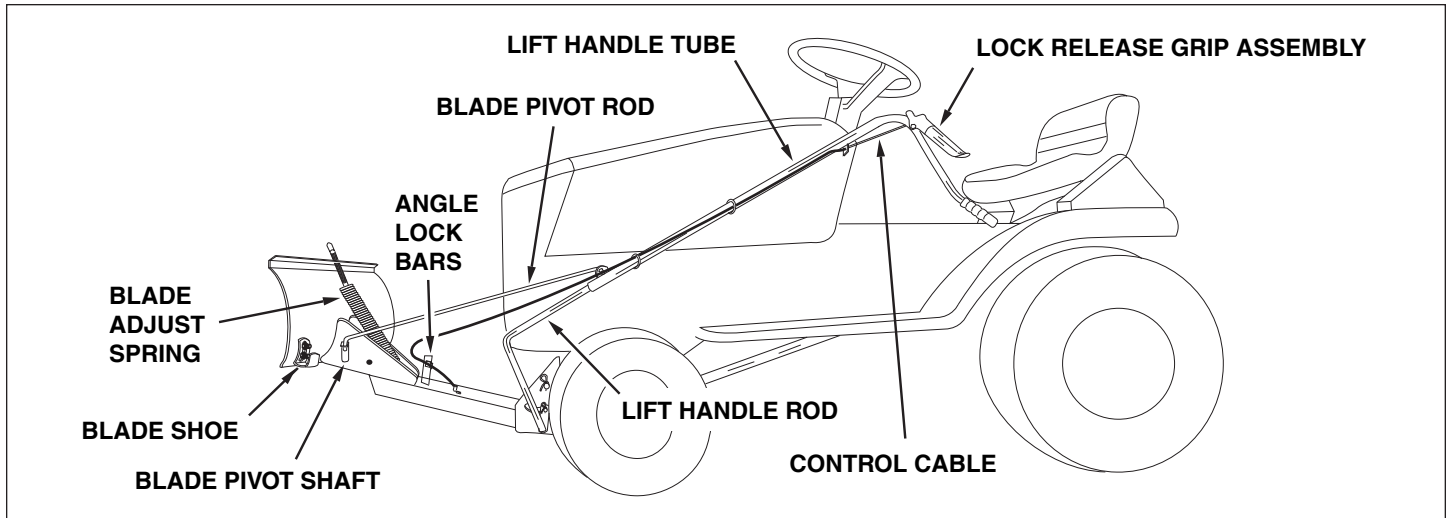
(Left Hand Side View)

OPERATION

KNOW YOUR SNOW BLADE

Read this owner's manual and safety rules before operating your snow blade.

Compare the illustration below with your snow blade to familiarize yourself with the various controls and their locations.



LOCK RELEASE GRIP ASS'Y.	Unlocks the blade to swivel to the right and left.
LIFT HANDLE TUBE	Raises or lowers the blade and pivots blade to the right and left.
BLADE PIVOT ROD	Connects blade to handle tube. Pivots blade to the right and left.
ANGLE LOCK BARS	Locks the blade in either the right hand, left hand or straight ahead position.
BLADE ADJUST SPRING	Holds blade in position but permits it to pivot forward to pass over an obstruction.
BLADE SHOE	Ground-contacting part of blade. Adjusts for adequate ground clearance of blade.
BLADE PIVOT SHAFT	Connects blade to channel assembly. Allows blade to pivot forward.
LIFT HANDLE ROD	Connects lift handle tube to channel assembly. Raises and lowers the blade.
CONTROL CABLE	Connects the lock release lever to the angle lock bars.

HOW TO USE YOUR SNOW BLADE

To Raise or Lower the Snow Blade

- Use the handle grip located on the end of the handle tube. To raise the blade, pull back while pushing down on the handle grip. To lower blade, pull back while lifting up on handle grip.

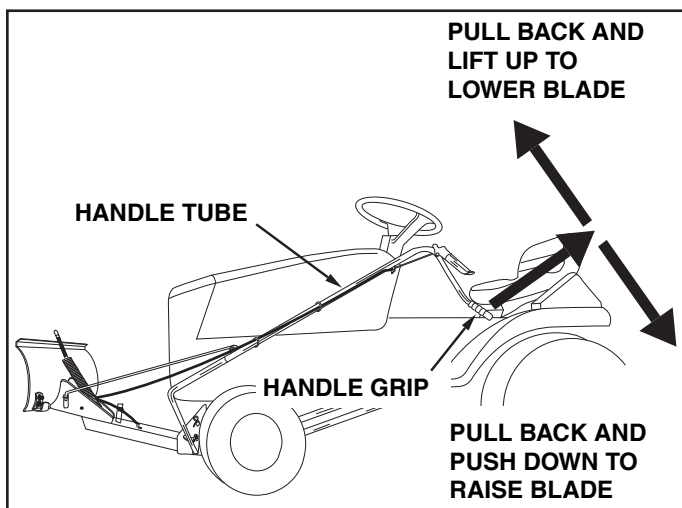


FIGURE 27

To Pivot the Blade

- Raise the blade to transport position. To unlock the blade, push the lock release grip down against the handle tube. To pivot the blade, keep the grip depressed and push forward or pull back on the handle tube, sliding it along the lift rod. Release the grip to lock the blade when it is in either the right hand, the left hand or the straight ahead position.

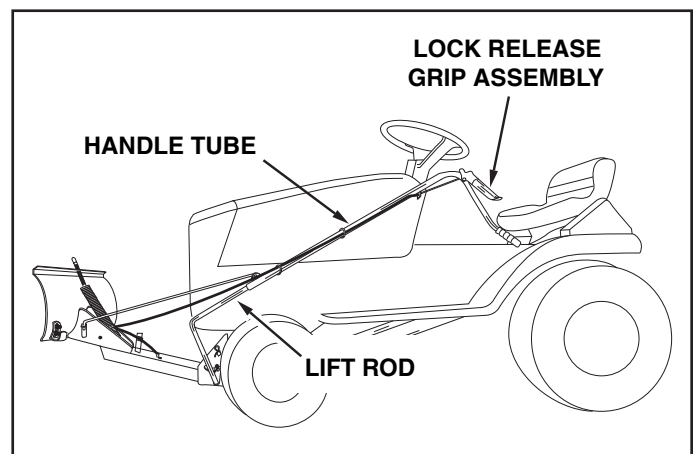


FIGURE 28

Wheel weights and tire chains must be used with your snow blade for traction. These accessories are available at your nearest Sears retail store.



CAUTION: Carefully inspect the area to be worked before operating the snow blade. Avoid pipes, roots, curbs or other heavy obstructions.

Using the Snow blade

- Prepare the lawn tractor engine for cold weather using instructions furnished with the lawn tractor.
- Always begin with the transmission in first (low) gear and gradually increase speed as required.
- **Do not** repeatedly push snow in the same direction. This causes excessive build up with each successive pass.
- To reduce icing on the blade, allow the lawn tractor and blade to adjust to outdoor temperature before operating.
- For improved snow removal performance, coat the blade with automotive type paste wax.



CAUTION: Know the terrain. Avoid exceptionally steep slopes or drop-offs which may be hidden by the snow. Never run the snow blade into heavy material at high speed.



CAUTION: Always lower the blade to the ground before leaving the tractor.

MAINTENANCE

CUSTOMER RESPONSIBILITIES

- Read and follow the maintenance schedule and the procedures listed in the maintenance section.

MAINTENANCE SCHEDULE Fill in dates as you complete regular service.					Service Dates														
	Before each use	After each use	Every season	Before storage															
Check for loose fasteners	X																		
Check for worn or damaged parts	X																		
Clean Blade		X		X															
Lubricate Blade			X																

CHECK FOR LOOSE FASTENERS

- During the operating season, check all bolts, nuts and hairpin cotters to be sure they are secure.

CHECK FOR WORN OR DAMAGED PARTS

- During the operating season, check for worn and damaged parts. Replace or repair any that have excessive damage or wear.

CLEAN BLADE

- During the operating season, clean the blade off after each use. Touch up any bare metal with paint or apply a light coat of grease or rust preventive.

LUBRICATE BLADE

- Lubricate all pivot points to help maintain proper operation of blade. Apply a light coating of oil to the straight upper portion of the lift handle rod.

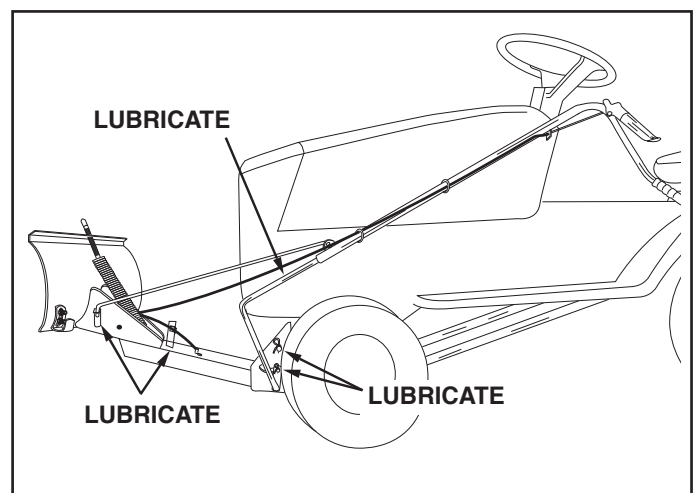


FIGURE 29

SERVICE AND ADJUSTMENTS

To Adjust Blade Spring

- The tension of the blade adjust spring may be altered to permit the blade to tilt forward to bypass solid obstructions. To change the spring tension, adjust the nuts at upper end of the spring bolt. Standing in front of blade, turn the nuts counterclockwise to relieve tension and clockwise to increase tension. Refer to figure 21 on page 11.

To Adjust Blade Shoes

- The blade shoes at the ends of blade may be raised for close work on smooth surfaces or lowered to raise the blade to work on rough or uneven areas. Make sure both shoes are set evenly and that the nuts are tightened securely.

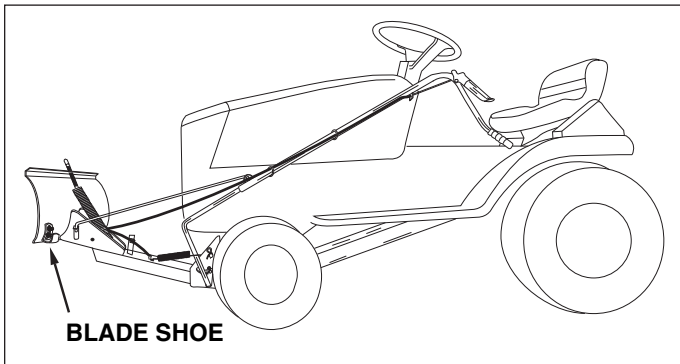


FIGURE 30

To Adjust the Blade Pivot Lock Mechanism

- If the blade will not unlock and pivot, the angle lock bars are not disengaging from the slots in the pivot plate. To correct, adjust the 5/16" hex jam nuts to draw the end of the control cable back towards the cable mount bracket. The less the threaded end of the cable extends through the bracket, the more the angle lock bars can retract to disengage from the slots in the pivot plate.

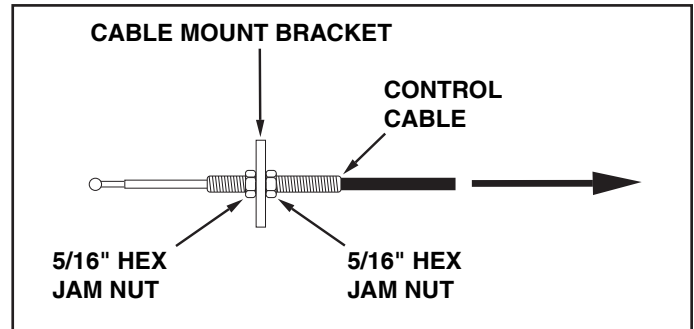


FIGURE 31

STORAGE

Recommendations When Storing

- When the snow blade is not being used, remove all dirt and rust and touch up with paint.
- Touch up bare metal with paint or apply a light coat of grease or rust preventive.
- Lubricate all pivot points and all points shown in figure 29, page 15 in the maintenance section.
- Store in a dry area, protected from weather.

To Remove Blade From Tractor

- Lower the blade to the ground with the blade in the center (straight ahead) position.
- Remove the hairpin cotter which fastens the blade pivot rod to the blade pivot shaft. See figure 26 on page 13.

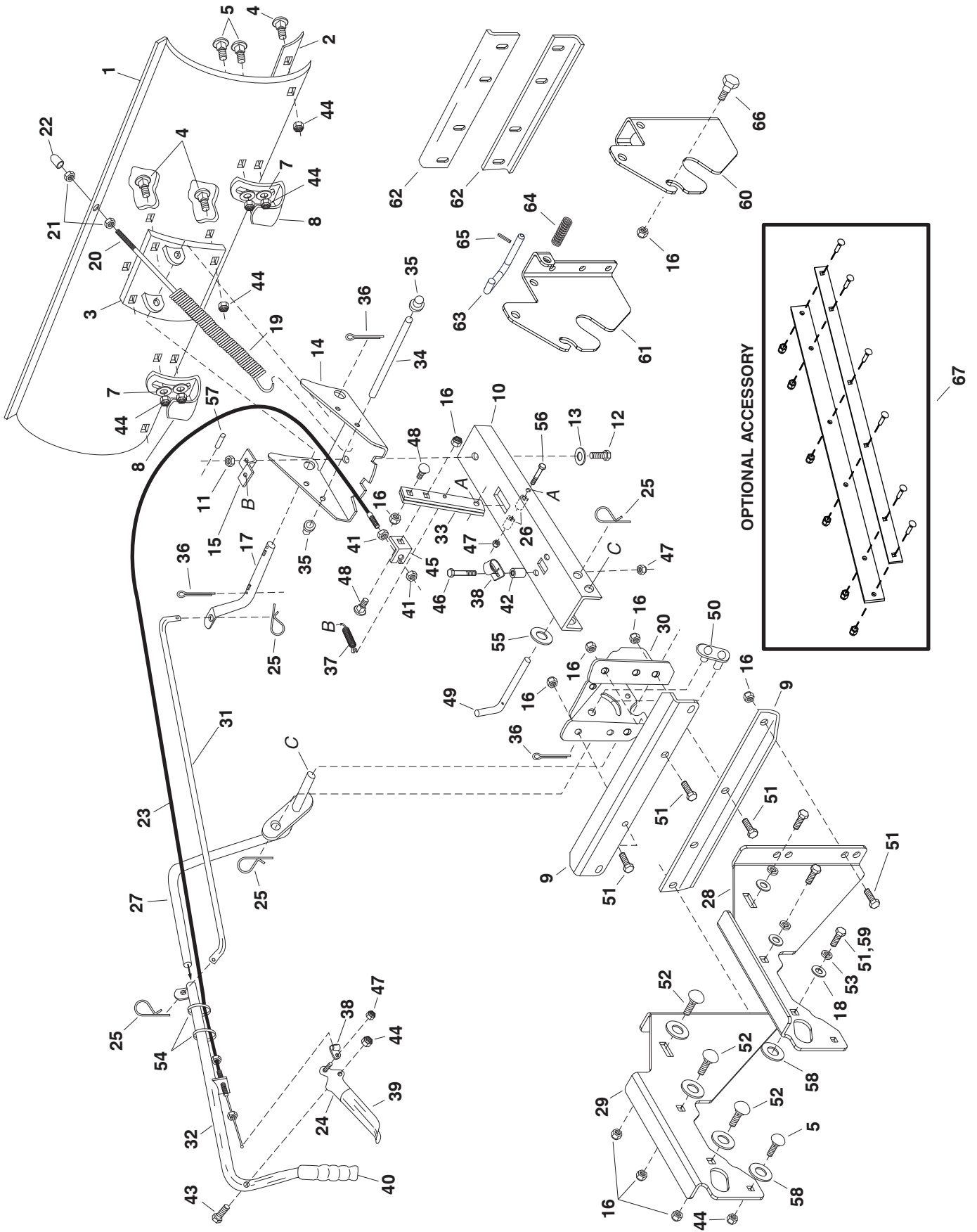
- Remove the hairpin cotter which fastens the lift handle rod to the lift link pin. See figure 23, page 12.
- Remove the hairpin cotter from the channel pivot pin and remove the pivot pin from the channel assembly. See figure 22 on page 12.
- Remove the blade, the channel assembly and the lift handle assembly from the tractor. The brackets assembled to the tractor frame may be left in place.
- To remove the brackets assembled to the tractor frame (side plates and pivot support brackets) refer to the figures appropriate for your tractor on pages 6 and 7.
- If the side plates are removed from the tractor frame, be sure to reassemble any bolts that were removed from the frame. Refer to figure 5 on page 6 and figure 7 on page 7.

TROUBLESHOOTING

PROBLEM	CAUSE	CORRECTION
Blade is difficult to raise.	Lift mechanism is binding	Lubricate pivot points as shown in figure 29 on page 15.
Blade is difficult to pivot.	Handle tube is binding on lift rod.	Lubricate lift handle rod as instructed in figure 23 on page 12.
Blade will not unlock to pivot.	Lock mechanism is out of adjustment and is not disengaging.	Refer to the Service and Adjustments section on page 16.

PARTS

REPAIR PARTS FOR MODEL 486.244412 - 42" SNOW BLADE



REPAIR PARTS LIST FOR MODEL 486.244412 - 42" SNOW BLADE

REF.	PART NO.	QTY.	DESCRIPTION	REF.	PART NO.	QTY.	DESCRIPTION
1	23114	1	Blade 42"	36	43010	3	Cotter Pin 1/8" x 1-1/4"
2	23117	1	Wear Plate 42"	37	43348	1	Angle Lock Spring
3	62980	1	Reinforcement Plate Assembly	38	746-0260	2	Cable End Fitting
4	43080	6	Bolt, Carriage 5/16-18 x 3/4"	39	731-0869	1	Grip, Plastic
5	44326	8	Bolt, Carriage 5/16-18 x 1"	40	46471	1	Handle, Grip
7	43081	4	Washer, 5/16"	41	712-0256	2	Hex Jam Nut, 5/16-24 Thread
8	24690	2	Skid Shoe	42	23658	1	Spacer
9	25647	2	Bracket, Angle Support	43	43085	1	Hex Bolt, 5/16-18 x 1-1/2"
10	24347	1	Push Channel	44	47810	13	Nylock Hex Nut, 5/16"
11	43262	1	Hex Lock Nut, 1/2-13 Thread	45	05762	1	Cable Mount Bracket
12	23131	1	Bolt, Special Pivot	46	43648	1	Hex Bolt, 1/4-20 x 1-1/2"
13	1540-118	1	Washer, Flat 1/2"	47	47189	3	Nylock Hex Nut, 1/4"
14	23958	1	Plate, Pivot 7 Ga.	48	710-0305	2	Carriage Bolt, 3/8-16 x 1-1/4"
15	23130	1	Bracket, Spring Mt.	49	46065	1	Channel Pivot Pin
16	HA21362	18	Nylock Hex Nut, 3/8"	50	63034	1	Lift Link Assembly
17	46066	1	Shaft, Blade Pivot	51	43001	14	Hex Bolt, 3/8-16 x 1"
18	43070	6	Washer, 3/8" STD.	52	43350	6	Carriage Bolt, 3/8-16 x 1"
19	R9466R	1	Spring, Blade Adjust	53	43003	6	Lock Washer 3/8"
20	44071	1	Hex Bolt, 3/8-16 x 3-1/2"	54	726-0178	2	Plastic Tie
21	43015	2	Hex Nut, 3/8-16 Thread	55	R19171616	1	Washer
22	44074	1	Plastic Cap	56	46071	1	Hex Bolt, 1/4-20 x 3-1/4" Lg. Gr 5
23	49808	1	Control Cable Assembly	57	43349	1	1/4" x 1" Spring Pin
24	62561	1	Release Grip Assembly	58	R19172410	8	Washer, 1/2" (Large)
25	43055	4	Pin, Hairpin Small 3/32"	59	47631	6	Hex Bolt, 3/8" x 1" (Thd. Forming)
26	46053	2	Spacer, .28 ID x 1"	60	27352	1	Hitch Bracket (RH)
27	63033	1	Lift Handle Rod Assembly	61	27353	1	Hitch Bracket (LH)
28	25646	1	Hanger Bracket, R.H.	62	24520	2	Angle Support Bracket
29	25645	1	Hanger Bracket, L.H.	63	40005	2	Attachment Pin
30	24023	1	Pivot Support Bracket	64	732-3127	2	Compression Spring
31	48167	1	Rod, Blade Pivot	65	43659	2	Spring Pin, 3/16 x 1"
32	65519	1	Lift Handle Tube Assembly	66	48106	2	Shoulder Bolt, 3/8-16 x .9"
33	23151	2	Angle Lock Bar	67	66586	1	Rubber Blade Kit (not included)
34	23856	1	Spring Mount Rod		42459	1	Owners Manual
35	44917	2	Palnut, 3/8"				

To order replacement parts, call Sears Parts Direct 1-800-252-1698
or go to www.searspartsdirect.com

Free Manuals Download Website

<http://myh66.com>

<http://usermanuals.us>

<http://www.somanuals.com>

<http://www.4manuals.cc>

<http://www.manual-lib.com>

<http://www.404manual.com>

<http://www.luxmanual.com>

<http://aubethermostatmanual.com>

Golf course search by state

<http://golfingnear.com>

Email search by domain

<http://emailbydomain.com>

Auto manuals search

<http://auto.somanuals.com>

TV manuals search

<http://tv.somanuals.com>