

SEARS

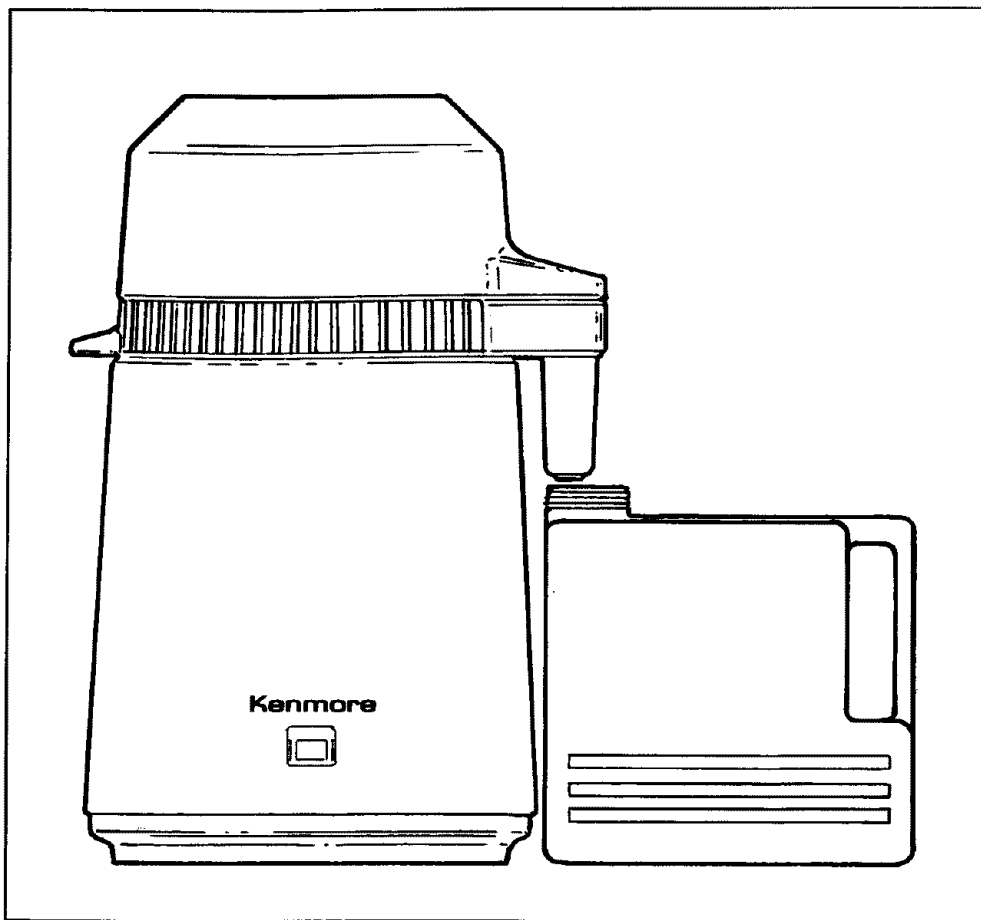
**OWNERS
MANUAL**

**MODEL NO.
625.34440**

CAUTION

READ THIS MANUAL
CAREFULLY BEFORE YOU
USE YOUR PURIFIER

SAVE THIS MANUAL



**Kenmore Countertop
Water Purifier**

- HOW IT WORKS –
- CARE OF –
- REPAIR PARTS –

Sears, Roebuck and Co., Chicago, Ill. 60684 U.S.A.

LIMITED WARRANTY

FULL ONE YEAR WARRANTY ON WATER PURIFIER (Except Carbon Filter)

For one year from the date of purchase, Sears will repair this Water Purifier, (except carbon filter), free of charge, if defective in material or workmanship.

WARRANTY SERVICE IS AVAILABLE BY SIMPLY RETURNING THE WATER PURIFIER TO THE NEAREST SEARS SERVICE CENTER THROUGHOUT THE UNITED STATES.

This warranty gives you specific legal rights, and you may have other rights which vary from state to state.

Sears, Roebuck and Co., Dept. 702 PSP, Sears Tower, Chicago, IL 60684

RULES FOR SAFE OPERATION OF YOUR WATER PURIFIER

◆ Before using your Purifier, read these rules and instructions carefully.

◆ Use your Purifier indoors on a dry, level surface, away from other heat sources.

◆ This Purifier is recommended for use with potable water supplies only. DO NOT use for anything other than purifying water.

◆ DO NOT attempt to purify and make safe drinking water from non-potable water sources.

◆ Plug the Purifier into a 120 volt AC house electrical outlet only.

◆ KEEP CHILDREN AWAY . . . HOT, BOILING water in the Purifier will scald if spilled on skin.

◆ DO NOT immerse any part of the Purifier in water.

◆ THE HEATING ELEMENT IS IN THE BASE OF THE PURIFIER AND THE BOTTOM DOES GET HOT DURING USE. BE SURE THE PURIFIER IS ON A SURFACE ABLE TO WITHSTAND THIS HEAT, AND AT LEAST 1 INCH AWAY FROM WALLS.

◆ Do not let the electrical cord hang over the edge of the counter, pinch in drawers, or lay on open burner or other hot surface.

◆ Do not use the Purifier if damaged, or if the electrical cord is defective.

◆ NEVER REMOVE THE COVER WHILE THE PURIFIER IS ON (FAN RUNNING). Let the unit cool at least 30 minutes after a cycle has finished. THE BOILING WATER OR STEAM COULD CAUSE SEVERE BURNS.

◆ Unplug your Purifier from the wall outlet when not in use, when cleaning, or when filling with water.

A. A short power-supply cord is provided to reduce the risks of becoming entangled in, or tripping over a longer cord.

B. An extension cord may be used if care is exercised in its use.

C. If an extension cord is used, (1) the marked electrical rating of the extension cord should be at least as great as the electrical rating of the appliance, (2) the longer cord should be arranged so that it will not drape over the countertop or tabletop where it can be pulled on by children or tripped over.

HOW YOUR WATER PURIFIER WORKS

The Purifier distills and turns ordinary tap water into clean, clear purified water. Uses for purified water include drinking, cooking, ice cubes, salt-restricted diets, baby formulas, steam irons, photo processing, and cleaning contact lenses.

By heating water to boiling, the water is changed to steam, which rises. As the steam cools and turns back into water, it is collected in the storage jug. Impurities are left behind in the stainless steel tank.

HOW YOUR WATER PURIFIER WORKS

continued from page 2

It takes about 6 hours and 5 minutes (using cold tap water) to make 1 gallon of purified water. A plastic storage bottle that holds 4 quarts (1 gallon) is included with your Purifier.

Purified water will remain fresher-tasting if it is kept tightly capped. Also shaking the bottle before pouring will aerate the water and make it taste better.

Order extra storage bottles from Sears, Stock No. 42-34552 so you can chill one bottle of purified water while you make more.

IMPORTANT: The Purifier uses small carbon filters in the spout to remove traces of odors before the purified water is collected in the storage bottle. The filters last about 2-3 months. A return of unwanted odor means the filters should be replaced. Order replacement carbon filter bags from Sears, Stock No. 42-34541.

BEFORE USING WATER FROM YOUR WATER PURIFIER FOR THE FIRST TIME

Although care is taken so your Purifier and plastic storage bottle are clean, some harmless matter may remain from manufacturing, packaging, or shipping. This could leave an unwanted taste or odor in the purified water the first time you use it. To remove any taste or odor causing matter, do the following:

1. Set the Purifier on your counter or tabletop.
2. Looking at Fig. 1, unplug the cover cord from its receptacle.
3. Holding by the top strap, lift the cover upward to remove, then set aside.
4. The storage bottle is inside the Purifier. Pull it out and remove the cap. Keep the cap in a handy place. You will use it later.
5. Rinse and fill the stainless steel tank with about $1\frac{1}{2}$ quarts of water.

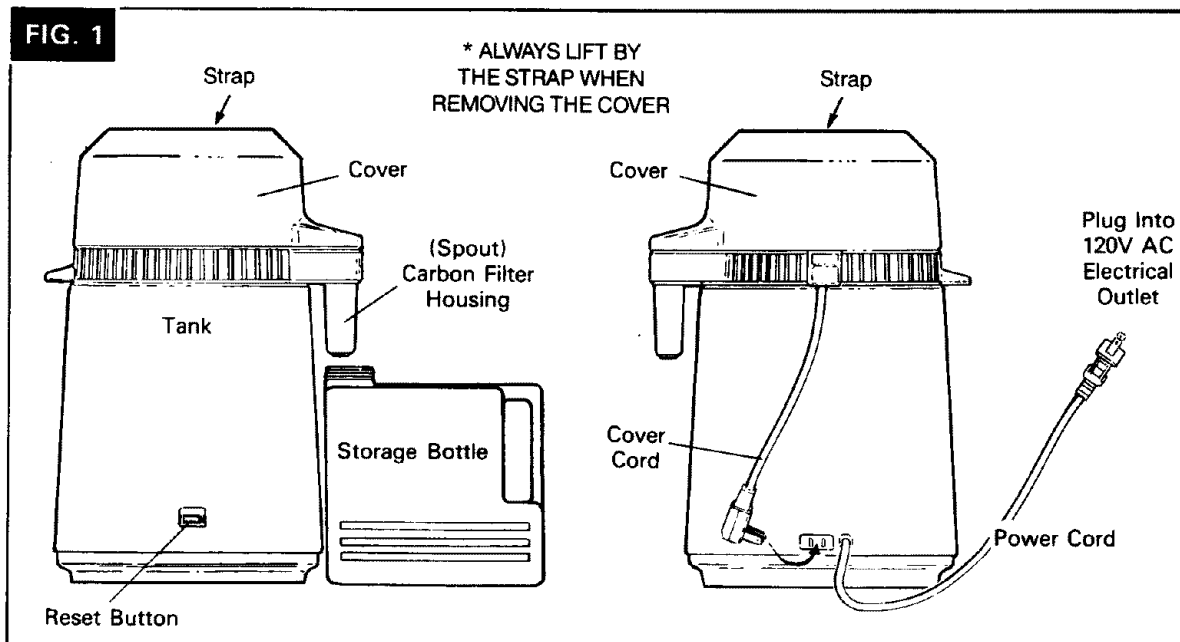
6. Put the cover onto the tank and plug the cover cord into the base receptacle.

7. The 2 carbon filter bags are packed in a separate plastic bag. Remove the carbon filter housing (push IN and pull DOWN... FIG. 2, page 5) and push 1 carbon bag firmly down into the housing. Follow with the second bag. **PUSH BOTH BAGS INTO THE HOUSING AS FAR AS THEY WILL GO, OR WATER COULD OVERFLOW FROM THE HOUSING.** Place the housing (push inward and upward) on the cover.

8. Place the storage bottle under the spout, and plug the power cord into a wall outlet.

9. Press the RESET button, if needed (pushed inward at the factory), to turn the Purifier on (fan motor begins to run). When the bottle contains 2 or 3 cupfuls of water, unplug the **cover cord** from the receptacle **BUT DO NOT REMOVE THE COVER.**

continued, page 4.



BEFORE USING WATER FROM YOUR WATER PURIFIER FOR THE FIRST TIME

continued from page 3

The remaining water will boil and pass through the system as steam to clean all surfaces.

10. The Purifier shuts off automatically when the water has boiled away (no more steam coming out of

spout. . .takes about 3 hours). After this time, unplug the power cord at the wall outlet.

11. Shake the storage bottle, then discard the 2 or 3 cupfuls of water which may have some harmless carbon fines (very fine black particles) in it from the filter.

MAKING PURIFIED WATER

1. Set the Purifier on your countertop or table.
2. Unplug the cover cord from its receptacle (FIG. 1). Holding by the top strap, lift the cover to remove, and set aside.
3. Fill the tank with tap water up to the max. fill line (4 quarts). The purifying cycle is shortened if you USE HOT WATER.

NOTE: You can purify less than the full amount. Use this chart as a guide. DO NOT fill the tank with more than 4 quarts of water because the storage bottle will overflow.

WHEN YOU FILL WITH COLD WATER TO . . .	THE CYCLE TAKES ABOUT . . .
1 qt.	1 hr., 35 min.
2 qt.	3 hrs., 5 min.
3 qt.	4 hrs., 35 min.
4 qt. (max. fill line)	6 hrs., 5 min.

4. Put the cover on the Purifier and plug the cover cord into the receptacle.
5. Check to be sure the cover spout containing the carbon filter is locked in place.
6. Set the storage bottle (cap removed) with the opening right under the spout.

7. Plug the power cord into any 120 volt outlet.

8. Press the RESET button. The fan motor in the cover begins to run (check the cover cord plug-in if it does not).

When the cycle is over the Purifier turns off automatically. AFTER THE FAN MOTOR GOES OFF, WAIT AT LEAST 30 MINUTES BEFORE REMOVING THE COVER . . .

WARNING: NEVER REMOVE THE COVER WHILE THE FAN MOTOR IS RUNNING, OR FOR 30 MINUTES AFTER IT STOPS. YOU COULD GET SEVERE BURNS FROM THE BOILING WATER OR STEAM.

9. Unplug the Purifier power cord from the wall outlet.

10. Replace the cap on the storage bottle and store in the refrigerator until you need it.

11. After the Purifier has cooled (wait for 30 minutes after the fan motor stops running) remove the cover and clean the tank. BE SURE TO HOLD THE COVER BY THE TOP STRAP AS YOU REMOVE IT.

CARE AND CLEANING OF YOUR WATER PURIFIER

WARNING

ALWAYS BE SURE TO UNPLUG THE PURIFIER POWER CORD FROM THE WALL OUTLET BEFORE CLEANING, OR BEFORE REPLACING PARTS.

STAINLESS STEEL TANK

INSIDE – After each use, rinse the inside with luke-warm tap water and remove any residue. If a deposit starts to form at the bottom, use Sears Distiller cleaner, Stock No. 42-34543. Follow the instructions on the cleaner bottle. Rub with a soft scouring pad and rinse thoroughly.

CAUTION: DO NOT IMMERSE THE PURIFIER IN WATER.

OUTSIDE – Wipe the outside of your Purifier with a soft sponge and mild soap.

NOTICE

THERE ARE NO USER SERVICEABLE PARTS INSIDE. RETURN THE PURIFIER TO AUTHORIZED SERVICE PERSONNEL FOR REPAIR (SEE PAGE 6).

CHANGING THE CARBON FILTER

The carbon filters in the cover spout (FIG. 2, page 5), remove odors from the purified water. Replace the

continued, page 5

CARE AND CLEANING OF YOUR WATER PURIFIER

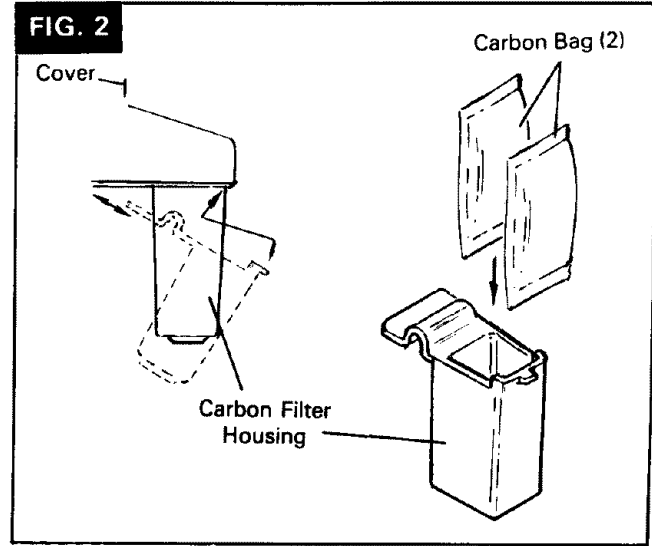
continued from page 4

carbon bags when you begin to get unwanted odor. The filters will last 2-3 months if the Purifier is used every day. They will last longer if you don't make purified water that often. Get new carbon bags from Sears, Stock No. 42-34541.

TO REPLACE

- ...Remove the cover from the tank.
- ...Remove the carbon filter housing (push IN and pull DOWN) from the cover spout.
- ...Remove the used carbon bags and throw away. Rinse the inside of the housing with water.
- ...Push new carbon bags down into the housing as far as they will go (see step 7 on page 3).
- ...Replace the housing onto the cover spout, and replace the cover on the tank.

The next time you make purified water, discard the first 2 or 3 cupfuls which may have small, harmless, carbon fines in it.



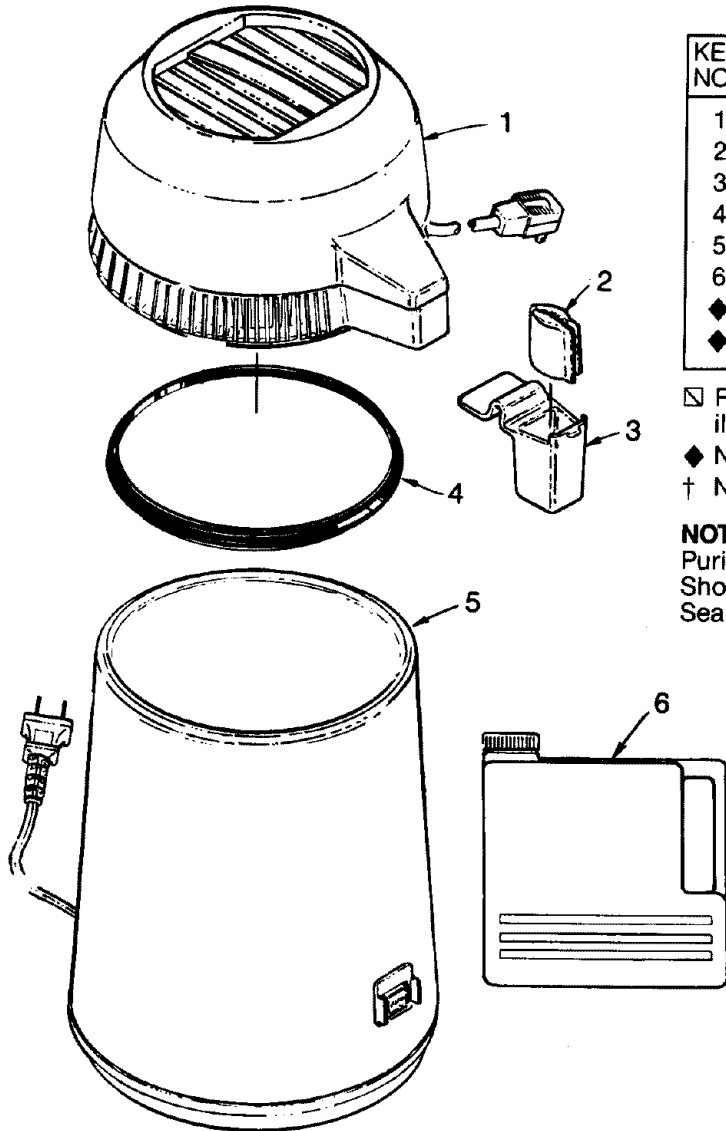
NOTE: The physiological effects of the operation of this appliance, beneficial or otherwise, have not been investigated by Underwriters Laboratories. See Product Data Sheet for test data obtained from an independent laboratory.

PROBLEM CHECK LIST

NOT MAKING ANY PURIFIED WATER	NOT MAKING ENOUGH PURIFIED WATER EACH BATCH	STEAM COMING FROM SPOUT	WATER LEAKS FROM SPOUT
<ol style="list-style-type: none"> 1. Purifier power cord not plugged into electrical outlet. 2. No power to electrical outlet. 3. Cover cord not plugged into Purifier base receptacle. 4. Did not press reset button to start cycle. 5. Did not fill the tank with tap water. 	<ol style="list-style-type: none"> 1. Cover cord not plugged into Purifier base receptacle. 2. Did not fill tank with water to max. fill line. 3. Purifier cover gasket not sealing tightly on tank (be sure gasket is down, all the way around, against bottom lip on cover - see Key No. 4, page 6). 4. Storage bottle not placed directly under spout. 	<ol style="list-style-type: none"> 1. Cover cord not plugged into Purifier base receptacle. 	<ol style="list-style-type: none"> 1. Carbon bags not pushed fully down into spout. 2. Spout not properly fastened to cover.

REPAIR PARTS

SEARS WATER PURIFIER, MODEL NO. 625.34440



KEY NO.	PART NO.	DESCRIPTION OF PART
1	6550067	Cover Assembly
2	42-34541	Carbon Filter (package of 4)
3	6550011	Filter Housing
4	6550013	Gasket
5	6550068	Tank Assembly
6	42-34552	Storage Bottle ☒
◆	42-34543	Distiller Cleaner †
◆	6580181	Owners Manual

☒ Replacement bottle may look different than illustrated.

◆ Not illustrated.

† Not included with Purifier.

NOTE: Other than listed above, the Sears Water Purifier has no other customer serviceable parts. Should service be required, take the purifier to any Sears Service Center.

HOW TO ORDER REPAIR PARTS

The model number of your Countertop Water Purifier is on the underside of the tank assembly.

WHEN ORDERING REPAIR PARTS, ALWAYS GIVE THE FOLLOWING INFORMATION:

- | | |
|----------------|--------------------|
| - PART NUMBER | - PART DESCRIPTION |
| - MODEL NUMBER | - NAME OF ITEM |

All parts listed may be ordered from any Sears Service Center.

If the parts you need are not stocked locally, your order will be electronically transmitted to a Sears Repair Parts Distribution center for handling.

Free Manuals Download Website

<http://myh66.com>

<http://usermanuals.us>

<http://www.somanuals.com>

<http://www.4manuals.cc>

<http://www.manual-lib.com>

<http://www.404manual.com>

<http://www.luxmanual.com>

<http://aubethermostatmanual.com>

Golf course search by state

<http://golfingnear.com>

Email search by domain

<http://emailbydomain.com>

Auto manuals search

<http://auto.somanuals.com>

TV manuals search

<http://tv.somanuals.com>