

# Cal. V072

<b>INSTRUCTIONS</b>	<b>(P. 3)</b>
<b>BEDIENUNGSANLEITUNG</b>	<b>(S. 23)</b>
<b>INSTRUCTIONS</b>	<b>(P. 43)</b>
<b>ISTRUZIONI</b>	<b>(P. 63)</b>
<b>INSTRUCCIONES</b>	<b>(P. 83)</b>
<b>INSTRUÇÕES</b>	<b>(P. 103)</b>
<b>用法說明</b>	<b>(123 頁)</b>

You are now the proud owner of a SEIKO Duo-Display Watch Cal. V072. For best results, please read the instructions in this booklet carefully before using your SEIKO Duo-Display Watch. Please keep this manual handy for ready reference.

Sie sind nun stolzer Besitzer einer SEIKO Zwei-Anzeige-Uhr Kal. V072. Bevor Sie nun Ihr SEIKO Zwei-Anzeige-Uhr in Gebrauch nehmen, lesen Sie bitte die Anleitungen in diesem Heftchen sorgfältig durch, damit Sie die Uhr optimal nutzen können. Verwahren Sie dieses Heftchen, um sich jederzeit wieder informieren zu können.

Vous voici l'heureux propriétaire d'une montre double affichage SEIKO Cal. V072. Pour en obtenir d'excellentes performances, veuillez lire attentivement les explications suivantes avant d'utiliser la montre et conserver cette brochure pour toute référence ultérieure.

Siete ora in possesso di un orologio SEIKO a doppio quadrante Cal. V072. Per ottenerne i migliori risultati, leggete attentamente le istruzioni contenute in questo manuale prima di iniziare ad utilizzare l'orologio. Conservate poi il manuale per ogni eventuale futuro riferimento.

Usted es ahora un honrado poseedor del reloj SEIKO de indicación doble Cal. V072. Para obtener de él óptimos resultados, lea las instrucciones de este panfleto con cuidado antes del uso de su reloj SEIKO de indicación doble. Guarde este manual para pronta referencia.

Você pode sentir-se orgulhoso de possuir um Relógio SEIKO Duo-Display Cal. V072. Para obter os melhores resultados, leia atentamente as instruções contidas neste opúsculo antes de usar o seu Relógio SEIKO Duo-Display. Conserve este manual para consultas futuras.

# CONTENTS

	Page
DISPLAY AND MODE CHANGE .....	5
TIME/CALENDAR SETTING .....	6
ALARM .....	9
STOPWATCH .....	11
ILLUMINATING LIGHT .....	13
NOTES ON USING THE WATCH .....	14
BATTERY CHANGE .....	16
TO PRESERVE THE QUALITY OF YOUR WATCH .....	18
SPECIFICATIONS .....	21

# SEIKO CAL. V072

## ANALOGUE TIME DISPLAY

## DIGITAL TIME AND CALENDAR

- **Calendar function:** Month, date and day of the week.

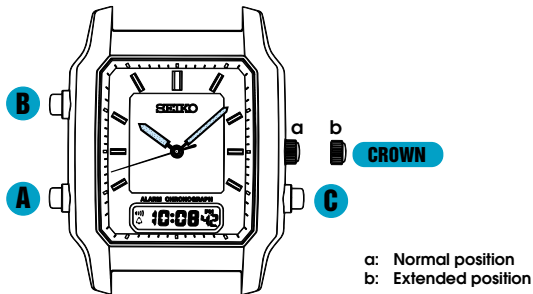
## REGULAR ALARM

## STOPWATCH

- Measures up to 60 minutes in 1/100 second increments.
- Split time measurement is possible.

## ILLUMINATING LIGHT

## DISPLAY AND MODE CHANGE



- A** With each press, the mode in the digital display changes in the following order:

**CALENDAR  
mode**



**TIME  
mode**



**ALARM  
mode**

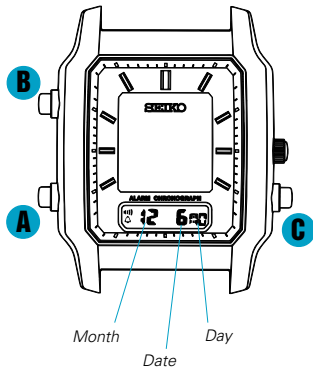


**STOPWATCH  
mode**



# TIME/CALENDAR SETTING

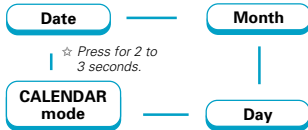
## CALENDAR SETTING



**A** Press to show CALENDAR mode.

**B** Press and hold for 2 to 3 seconds to show CALENDAR SETTING display.

**B** Press repeatedly to select the digits (flashing) to be adjusted.

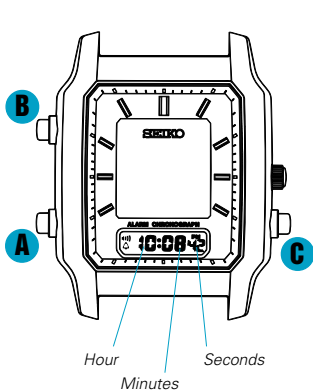


**C** Press to set the flashing digits.

**A** or **B** Press to return to CALENDAR mode.

## DIGITAL TIME SETTING

☆ Before setting the analogue time, be sure to set the digital time.

**A**

Press to show TIME mode.

**B**

Press and hold for 2 to 3 seconds to show TIME SETTING display.

**B**

Press repeatedly to select the digits (flashing) to be adjusted.

Seconds

Minutes

☆ Press for 2 to 3 seconds.

Hour

TIME mode

12-/24-hour indication

**C**

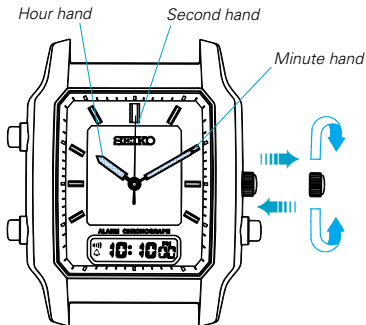
Press to set the flashing digits.

**A** or **B**

Press to return to TIME mode.

## ANALOGUE TIME SETTING

☆ Before setting the analogue time, be sure to set the digital time. (See the previous section)



### CROWN

Pull out when the second hand is at the 12 o'clock position.



Turn to set the hour and minute hands.



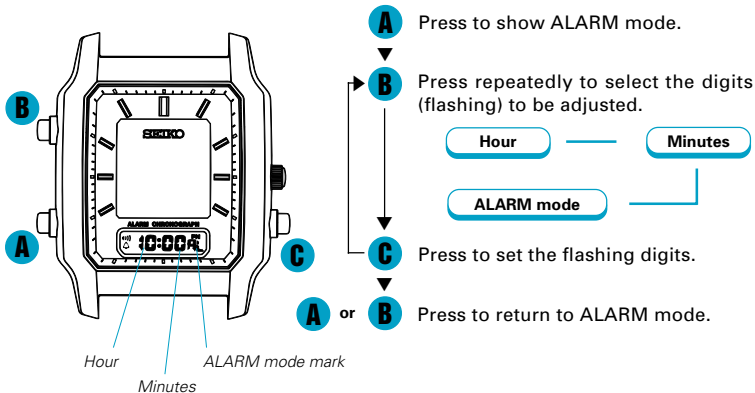
Push back in to normal position when the second digits count "00" in the digital time display.



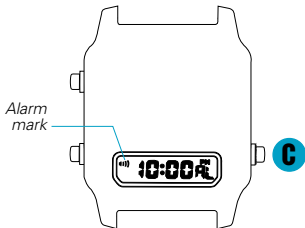
## ALARM

- The alarm can be set to ring on a 24-hour basis.

### ALARM TIME SETTING



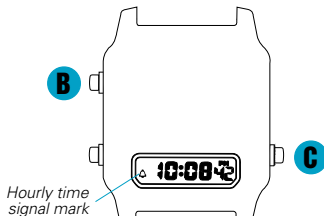
## ● ALARM ENGAGEMENT/DISENGAGEMENT



- C** With each press in ALARM mode, the alarm is alternately engaged and disengaged.

*\* At the designated time the alarm rings for 20 seconds. To stop it manually, press any of the buttons.*

## ● TURNING ON/OFF OF THE HOURLY TIME SIGNAL

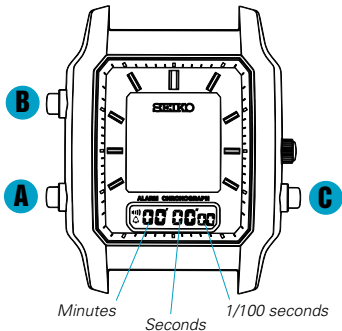


- B** and **C** With each simultaneous press in CALENDAR or TIME mode, the hourly time signal is turned on and off alternately.

## STOPWATCH

- The stopwatch measures up to 60 minutes in 1/100 second increments.

- A** Press to show STOPWATCH mode.



### Standard measurement



Download from [Www.Somanuals.com](http://Www.Somanuals.com). All Manuals Search And Download.

### Accumulated elapsed time measurement



*\* Restart and stop of the stopwatch can be repeated by pressing button C.*

### Split time measurement

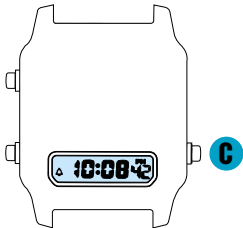


*\* Measurement and release of split time can be repeated by pressing button B.*

### Measurement of two competitors



## ILLUMINATING LIGHT



- C** Press and hold in TIME or CALENDAR mode.

*\* The light illuminates the digital display for easy viewing in the dark.*

# NOTES ON USING THE WATCH

## TIME/CALENDAR SETTING

### [CALENDAR SETTING]

- The calendar automatically adjusts for odd and even months except February of leap years.
- The flashing digits move quickly if button C is kept pressed.
- If the watch is left untouched in the CALENDAR SETTING display with the digits flashing, it will automatically return to the CALENDAR mode in 1 to 2 minutes.

### [DIGITAL TIME SETTING]

- The flashing digits except the seconds and the 12-/24-hour indication move quickly if button C is kept pressed.
- In setting the seconds, when the seconds read any number from "30" to "59" and button C is pressed, one minute is added and the seconds are reset to "00".
- Changeover between 12- and 24-hour indications is made alternately with each press of button C.
- When setting the hour digits in the 12-hour indication, check that AM/PM is properly set. Only "PM" mark is displayed. For the AM setting, there is no indication.
- If the watch is left untouched in the TIME SETTING display with the digits flashing, it will automatically return to the TIME mode in 1 to 2 minutes.

### [ANALOGUE TIME SETTING]

- When setting the minute hand, first advance it 4 to 5 minutes ahead of the desired time and then turn it back to the exact minute.
- When the crown is pulled out or pushed in for time setting, the minute hand may move slightly. However, this is not a malfunction.

## **ALARM**

### **[ALARM TIME SETTING]**

- When the time function is displayed in the 24-hour indication, the alarm is also displayed in the 24-hour indication.
- The flashing digits move quickly if button C is kept pressed.
- When setting the hour digits in the 12-hour indication, check that AM/PM is properly set.
- If the watch is left untouched in the ALARM SETTING display with the digits flashing, it will automatically return to the ALARM mode in 1 to 2 minutes.
- The alarm can be tested by keeping buttons B and C pressed at the same time in the CALENDAR or TIME mode.

## **STOPWATCH**

- With each press of button C, the light illuminates the digital display with a beep.
- After measuring 60 minutes, the stopwatch will start counting again from "00'00"00" as many times as necessary until it is stopped.
- When measuring a long period of time, press button A to return the STOPWATCH mode to the CALENDAR or TIME mode after the stopwatch starts. This will prevent any possible malfunction.

## BATTERY CHANGE

**3**  
**Years**

The miniature battery which powers your watch should last approximately **3 years**. However, because the battery is inserted at the factory to check the function and performance of the watch, its actual life once in your possession may be less than the specified period. When the battery expires, be sure to replace it as soon as possible to prevent any malfunction. For battery replacement, we recommend that you contact an AUTHORIZED SEIKO DEALER and request **SEIKO SR927W** battery.

*\* If the alarm is used more than once a day, the stopwatch more than once a day, and/or the illuminating light for more than one second a day, the battery life may be less than the specified period.*

### ● Necessary procedure after battery change

After the battery is replaced with a new one, or in case an abnormal display (broken digits, etc.) appears in the digital display, follow the procedure below to reset the IC.

#### **Press buttons A, B and C at the same time.**

*\* All the segments of the digital display will light up, a beep will sound twice and then "January 1st, Sunday" will be displayed in the digital display.*

*\* Before using the watch, set the time/calendar and alarm.*



**WARNING**

- Do not remove the battery from the watch.
- If it is necessary to take out the battery, keep it out of the reach of children. If a child swallows it, consult a doctor immediately.

**CAUTION**

- Never short-circuit, heat or otherwise tamper with the battery, and never expose it to fire. The battery may burst, become very hot or catch fire.
- The battery is not rechargeable. Never attempt to recharge it, as this may cause battery leakage or damage to the battery.

# TO PRESERVE THE QUALITY OF YOUR WATCH

## ■ WATER RESISTANCE

Indication on case back	Condition of use Degree of water resistance*	Accidental contact with water such as rain and splashes	Swimming, yachting and taking a shower	Taking a bath and shallow diving	Scuba diving** and saturation diving
No indication	<b>Non-water resistant</b>	No	No	No	No
WATER RESISTANT	<b>3 bar</b>	Yes	No	No	No
WATER RESISTANT 5 BAR	<b>5 bar</b>	Yes	Yes	No	No
WATER RESISTANT 10/15/20 BAR	<b>10/15/20 bar</b>	Yes	Yes	Yes	No

## ● Non-water resistant



- If the watch becomes wet, have it checked by an **AUTHORIZED SEIKO DEALER** or **SERVICE CENTER**.

## ● Water resistant 5/10/15/20 bar



- Do not operate the crown and buttons when the watch is wet or in water.

If used in sea water, rinse the watch in fresh water and dry it completely.



- When taking a shower with a water resistant 5 bar watch, or taking a bath with a water resistant 10, 15 or 20 bar watch, be sure to observe the following:

\* Do not operate the crown or push the buttons when the watch is wet with soapy water or shampoo.

\* If the watch is left in warm water, a slight time loss or gain may be caused. This condition, however, will be corrected when the watch returns to normal temperature.

\* If the watch is left in warm water, a slight time loss or gain may be caused. This condition, however, will be corrected when the watch returns to normal temperature.

*\* Pressure in bar is a test pressure and should not be considered as corresponding to actual diving depth since swimming movement tends to increase the pressure at a given depth. Care should also be taken on diving into water.*

*\*\* We recommend that you wear a SEIKO Diver's Watch for scuba diving.*

## ■ TEMPERATURES



Your watch works with stable accuracy within a temperature range of 5°C and 35°C (41°F and 95°F).

Temperatures over 50°C (122°F) or below -5°C (+23°F) may cause a slight time loss or gain or battery leakage or shorten the battery life.

However, the above conditions will be corrected when the watch returns to normal temperature.

## ■ SHOCKS & VIBRATION



Be careful not to drop your watch or hit it against hard surfaces.

## ■ MAGNETISM



The analogue unit of your watch will be adversely affected by strong magnetism, though the digital unit will not be affected. Keep the watch away from close contact with magnetic objects.

## ■ CHEMICALS



Be careful not to expose the watch to solvents, mercury, cosmetic spray, detergents, adhesives or paints. Otherwise, the case, bracelet, etc. may become discolored, deteriorated or damaged.

## ■ CARE OF CASE AND BRACELET



To prevent possible rusting of the case and bracelet, wipe them periodically with a soft dry cloth.

## ■ PERIODIC CHECK



It is recommended that the watch be checked once every 2 to 3 years. Have your watch checked by an AUTHORIZED SEIKO DEALER or SERVICE CENTER to ensure that the case, crown, buttons, gasket and crystal seal remain intact.

## ■ PRECAUTION REGARDING CASE BACK PROTECTIVE FILM



If your watch has a protective film and/or a sticker on the case back, be sure to peel them off before using your watch.

## ■ STATIC ELECTRICITY



The IC (Integrated Circuit) used in your watch will be affected by static electricity which may disturb the display. Keep the watch away from close contact with objects such as TV screens which emit strong static electricity.

## ■ LIQUID CRYSTAL PANEL



The normal life expectancy for a liquid crystal panel is approximately 5 years. After that it may decrease in contrast, becoming difficult to read. Please contact your **AUTHORIZED SEIKO DEALER** or **SERVICE CENTER** if you wish to have a new panel fitted (guaranteed one year).

## SPECIFICATIONS

- |   |                                       |   |
|---|---------------------------------------|---|
| 1 | Frequency of crystal oscillator ..... | 32,768 Hz (Hz = Hertz ... Cycles per second)                                |
| 2 | Loss/gain (monthly rate) .....        | ±30 seconds at normal temperature range (5° C ~ 35° C)<br>(41° F ~ 95° F)   |
| 3 | Operational temperature range .....   | -5° C ~ +50° C (23° F ~ 122° F)   |
| 4 | Display system                        |   |
|   | [Analogue time display] .....         | Hour, minute and second hands   |
|   | [Digital display]                     |   |
|   | CALENDAR mode .....                   | Month, date and day of the week<br>(Alarm mark and hourly time signal mark) |

TIME mode .....	Hour, minutes and seconds "PM" mark in the 12-hour indication (Alarm mark and hourly time signal mark)
STOPWATCH mode .....	Measures up to 60 minutes. (Alarm mark and hourly time signal mark)
ALARM mode .....	Hour and minutes Alarm mark, ALARM mode mark, and "PM" mark in the 12-hour indication
5 Driving system .....	Step motor
6 Digital display medium .....	Nematic Liquid Crystal, FEM (Field Effect Mode)
7 Battery .....	SEIKO SR927W, 1 piece
8 IC (Integrated Circuit) .....	C-MOS-LSI, 1 piece

\* The specifications are subject to change without prior notice for product improvement.

## Free Manuals Download Website

<http://myh66.com>

<http://usermanuals.us>

<http://www.somanuals.com>

<http://www.4manuals.cc>

<http://www.manual-lib.com>

<http://www.404manual.com>

<http://www.luxmanual.com>

<http://aubethermostatmanual.com>

Golf course search by state

<http://golfingnear.com>

Email search by domain

<http://emailbydomain.com>

Auto manuals search

<http://auto.somanuals.com>

TV manuals search

<http://tv.somanuals.com>