

SAFETY PRECAUTIONS

Caution Marking and rating plate was located at rear and bottom enclosure of the apparatus.



CAUTION: TO REDUCE THE RISK OF ELECTRIC SHOCK, DO NOT REMOVE COVER (OR BACK). NO USER-SERVICEABLE PARTS INSIDE. REFER SERVICING TO QUALIFIED SERVICE PERSONNEL.

The lightning flash with an arrowhead symbol, within the equilateral triangle, is intended to alert the user to the presence of uninsulated "dangerous voltage" within the product's enclosure that may be of sufficient magnitude to cause an electric shock.

The exclamation point within the equilateral triangle is intended to alert the user to the presence of important operating and maintenance (servicing) instructions in this user manual.



CLASS I LASER PRODUCT

The symbol for Class II (Double Insulation)

This product contains a low power laser device.

does cause harmful interference to radio or television reception, which can be determined by turning the equipment off and on, the user is encouraged to try to correct the interference by one or more of the following measures:

- Reorient or relocate the receiving antenna.
- Increase the separation between the equipment and receiver.
- Connect the equipment into an outlet on a circuit different from that to which the receiver is connected.
- Consult the dealer or an experienced radio/TV technician for help.

Warning: Changes or modifications to this unit not expressly approved by the party responsible for compliance could void the user's authority to operate the equipment.

Notes on Copyright
It is forbidden by law to copy, broadcast, show, broadcast on cable, play in public, or rent copyrighted material without permission. Apparatus Claims of U.S. Patent Nos. 6,836,549; 6,381,747; 7,050,698; 6,516,132; and 5,583,936 licensed for limited viewing uses only.

This product incorporates copyright protection technology that is protected by U.S. patents and other intellectual property rights. Use of this copyright protection technology must be authorized by Macrovision, and is intended for home and other limited viewing uses only unless otherwise authorized by Macrovision. Reverse engineering or disassembly is prohibited.

Rating Plate Location

- The rating plate is located on the rear of unit.

FCC Statements

NOTE: This equipment has been tested and found to comply with the limits for a Class B digital device, pursuant to Part 15 of the FCC Rules. These limits are designed to provide reasonable protection against harmful interference in a residential installation. This equipment generates, uses and can radiate radio frequency energy and, if not installed and used in accordance with the instructions, may cause harmful interference to radio communications. However, there is no guarantee that interference will not occur in a particular installation. If this equipment

WARNING:

- Should any trouble occur, disconnect the AC power cord and refer servicing to a qualified technician.
- To be completely disconnected the apparatus from supply mains, the mains plug of the apparatus shall be disconnected from the mains socket outlet completely.
- The mains plug of apparatus should not be obstructed OR should be easily accessed during intended use.

Need more help? Please visit online help at www.RCAav.com

IMPORTANT SAFETY INSTRUCTIONS

- Read these instructions.
- Keep these instructions.
- Heed all warnings.
- Follow all instructions.
- Do not use this apparatus near water.
- Clean only with a dry cloth.
- Do not block any of the ventilation openings. Install in accordance with the manufacturer's instructions.
- Do not install near any heat sources such as radiators, heat registers, stoves, or other apparatus (including amplifiers) that produce heat.
- Do not defeat the safety purpose of the polarized or grounding - type plug. A polarized plug has two blades with one wider than the other. A grounding type plug has two blades and a third grounding prong. The wide blade or the third prong is provided for your safety. When the provided plug does not fit into your AC power outlet, consult an electrician for replacement of the obsolete outlet.
- Protect the AC power cord from being walked on or pinched particularly at plugs, convenience receptacles, and the point where they exit from the apparatus.
- Only use attachments/accessories specified by the manufacturer.
- Use only with a cart, stand, tripod, bracket, or table specified by the manufacturer, or sold with the apparatus. When a cart is used, use caution when moving the cart/apparatus combination to avoid injury from tip-over.
- Unplug this apparatus during lightning storms or when unused for long periods of time.
- Refer all servicing to qualified service personnel. Servicing is required when the apparatus has been damaged in any way, such as the AC power cord or plug is damaged, liquid has spilled or objects have fallen into the apparatus, the apparatus has been exposed to rain or moisture, does not operate normally, or has been dropped.



Portable Cart Warning

DISC FORMATS

The unit can playback:

DVDs [8cm/12cm disc]	Audio CDs [8cm/12cm disc]	CD-R CD-RW Compatible
----------------------	---------------------------	-----------------------

Region Management Information
This unit is designed and manufactured to respond to the Region Management Information that is encoded on DVDs. If the region number printed on the DVD does not correspond to the region number of this unit, it cannot play that disc.

The region number of this unit is 1.

Disc Function or Operation that is Not Available

When the appears on the screen, it indicates that the function or operation attempted is not available at that time. This occurs because the DVD manufacturer determines the specific functions of DVDs. Certain functions may not be available on some DVDs. Be sure to read the documentation provided with the DVD.

Icons Used on DVDs
Sample Icons

Note: When playing back a CD-G (Graphics) or CD EXTRA disc, the audio portion will be played, but the graphic images will not be shown.

	Language selections for audio
	Language selections for subtitles
	Screen aspect ratio
	Multiple camera angles
	Region code indicator

SOUND SYSTEM

Dolby Digital
Dolby Digital is a technology developed by Dolby Laboratories. Soundtracks encoded in Dolby Digital can reproduce from one to 5.1 discrete channels of excellent quality audio. The unit automatically recognizes the Dolby Digital bitstream and provides a downmix suitable for two-channel listening. An additional Dolby Digital decoder is required for reproduction of the discrete multi-channel soundtracks available on many DVDs.

Manufactured under license from Dolby Laboratories. 'Dolby' and the double-D symbol are trademarks of Dolby Laboratories.



ACCESSORIES

Please check and identify the supplied accessories.

- Remote Control (with batteries) x 1
- Audio/Video cable x 1

Need more help? Please visit online help at www.RCAav.com

REMOTE CONTROL

Using the Remote Control

- Point the remote control at the REMOTE SENSOR located on the unit.
- When using this unit in very bright light, the infrared REMOTE CONTROL SENSOR may not work properly.
- The recommended operating range for remote operation is about 16 feet (5 meters).

Battery Replacement

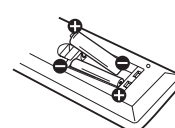
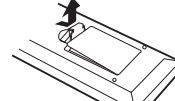
When the batteries become weak, the operating distance of the remote control will be greatly reduced and you will need to replace the batteries.

Notes:

- If the remote control is not going to be used for a long time, remove the batteries to avoid damage caused by battery leakage corrosion.
- When discarding batteries, environmental problems must be considered and local rules or laws governing the disposal of these batteries must be strictly followed.
- Do not mix ALKALINE, standard (CARBON-ZINC), or rechargeable (Ni-Cd, Ni-MH, etc.) batteries.

To Change Remote Batteries

- Open the battery door.
- Insert two AAA size batteries.



WARNING:

- Do not dispose of the battery in fire or it may explode or leak.
- Batteries shall not be exposed to excessive heat such as sunshine, fire or the like.

CAUTION:

Danger of explosion if battery is incorrectly replaced. Replace only with the same or equivalent type.

TROUBLESHOOTING GUIDE

SYMPTOM	CAUSE (AND REMEDY)
No power.	<ul style="list-style-type: none"> • Ensure the AC power cord is connected. • The unit is not turned on.
The remote control does not function.	<ul style="list-style-type: none"> • Remove any obstacles between the remote and the unit. • Use the remote near the unit. • Point the remote at the remote sensor on the unit. • Replace the batteries in the remote with new one.
No sound or only a very low-level sound is heard.	<ul style="list-style-type: none"> • Make sure that you select ON mode. • The system is in pause mode. Press the ► PLAY button to return to normal play mode. • The unit is in fast-forward or fast-reverse mode. Press the ► PLAY button to return to normal play mode. • Make sure the AUDIO output is correct. • Make sure the audio cable is connected securely. • The region number of the disc doesn't match the region number of this unit.
No picture or abnormal color.	<ul style="list-style-type: none"> • The TV is not set to receive DVD signal output. • The video/HDMI cable is not connected securely. • The TV is not turned on. • Clean the disc.
No output on your HDMI TV.	<ul style="list-style-type: none"> • Check connection between HDMI TV and the unit. • Replace the HDMI cable with a better one. Bad HDMI cable can cause data loss. • Press HDMI key on remote handset several times to toggle among different HD OUTPUT.
Severe hum or noise is heard.	<ul style="list-style-type: none"> • Check the connections. • The plugs and jacks are dirty. Wipe them with a cloth slightly moistened with alcohol. • Clean the disc.
The disc does not play.	<ul style="list-style-type: none"> • There is no disc inside. ("No Disc" appears on the screen). • Insert the disc correctly with the playback side facing down. • Clean the disc. • The unit and disc region number are incompatible. • Condensation may have formed inside the unit due to a sudden change in temperature. Wait about an hour for it to clear and try again.
The DVD door cannot open.	<ul style="list-style-type: none"> • Reset the unit, press the STANDBY/ON button to turn off the unit, wait for a few seconds, then restart the unit.

Notes:
Numbers identify each title, chapter, and track on a disc. Most discs have these numbers recorded on them, but some do not.

Notes on Unauthorized Discs
You may not be able to play some DVDs on this unit, particularly if they were purchased from outside your geographic area or made for business purposes.

MAINTENANCE

Cleaning the Disc
A defective or soiled disc inserted into the unit can cause sound to drop out during playback. Handle the disc by holding its inner and outer edges.

- Do NOT touch the surface of the unlabeled side of the disc.
- Do NOT stick paper or tape on the surface.
- Do NOT expose the disc to direct sunlight or excessive heat.
- Clean the disc before playback. Wipe the disc from the center outward with a cleaning cloth.
- NEVER use solvents such as benzine or alcohol to clean the disc.
- Do NOT use irregular shaped discs (example: heart shaped, octagonal, etc.). They may cause malfunctions.

Cleaning the Unit

- Be sure to turn the unit off and disconnect the AC power cord before maintaining the unit.
- Wipe the unit with a dry soft cloth. If the surfaces are extremely dirty, wipe clean with a cloth that has been dipped in a weak soap-and-water solution and wrung out thoroughly, then wipe with a dry cloth.
- Never use alcohol, benzine, thinner, cleaning fluid or other chemicals. Do NOT use compressed air to remove dust.

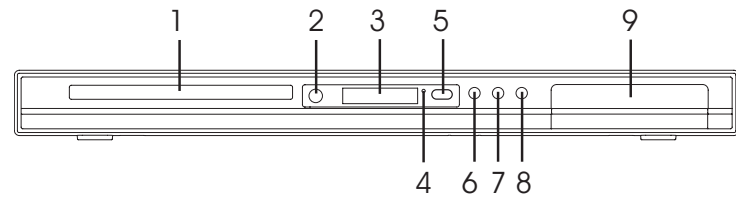
Important Note
Before transporting the unit, remove the disc from the disc compartment.

CONTROL REFERENCE GUIDE

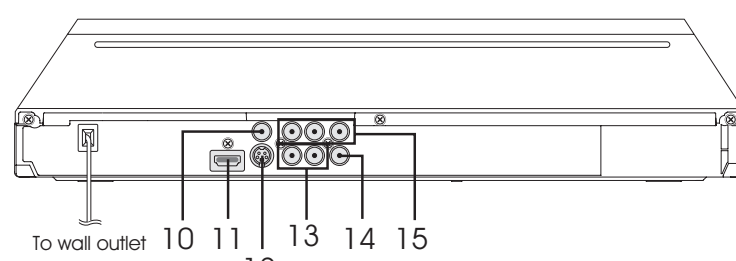
Remote Control

- ▲ OPEN/CLOSE Button**
Press to open or close the disc tray.
- STANDBY/ON Button**
Press to turn on the unit or put it in standby mode
- AUDIO Button**
Press to select one of the audio sound tracks programmed on a DVD or to select the audio output mode on an audio CD.
- ANGLE Button**
Press to switch the camera angle of the video presentation when scenes with multiple camera angles are recorded on a DVD.
- MEMORY Button**
Press to create programs.
- DISPLAY Button**
Press to change disc status information displayed on the TV screen.
- SETUP Button**
Press to open and close the SETUP menu screen
- CURSOR (▲, ▼, ◀, ▶) Button**
Press to highlight selections on a menu screen and adjust certain settings.
- OK Button**
Press to confirm selections on a menu screen.
- CLEAR Button**
Clear input selections and cancel certain playback functions.
- MENU Button**
Press to open or close the DVD's menu.
- HDMI Button**
Press once to view current HDMI output resolution. Press repeatedly to change resolution (480P, 720P, 1080i, or 1080P).
- ▶▶ PLAY Button**
Press to start playback.
- STOP Button**
Press to stop playback.
- ◀◀ SEARCH Button**
Fast reverse playback.
- ◀◀◀ REV Button**
Press to move backwards through titles, chapters or tracks on a disc.
- Number (0-9) Buttons**
A-B REPEAT Button
Press to perform point-to-point repeat playback on a DVD or CD.
- SOURCE Button**
Selects input sources.
- SUBTITLE Button**
Press to select one of the subtitle languages programmed on a DVD.
- ZOOM Button**
Zoom in an image.
- RETURN Button**
Press to return to the normal operation after using the SETUP button.

Unit



- DISC TRAY**
Opens or closes the tray by pressing the OPEN/CLOSE button.
- REMOTE SENSOR**
Receives the remote control unit signals.
- DISPLAY WINDOW**
Display units information.
- Power Indicator**
Indicator On: The unit is in standby mode. Indicator Off: The unit is turned on.
- ON/STANDBY Button**
Turn the unit on or put it in standby mode.
- OPEN/CLOSE Button**
Opens or closes the tray.
- PLAY Button**
Starts or resumes playback of a disc.
- STOP Button**
Stop playing a disc.
- iPod/iPhone dock door**
Push once & slide out the iPod/iPhone dock.



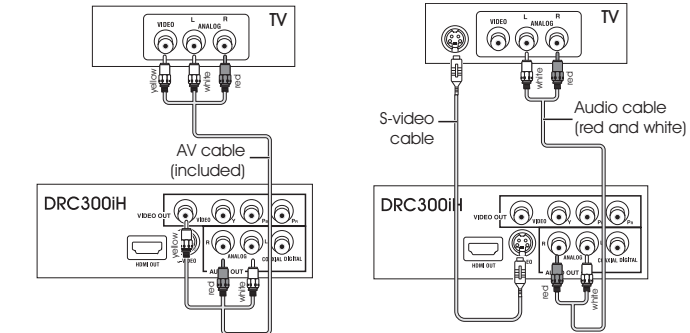
- COMPOSITE VIDEO OUT jack**
- HDMI OUT jack**
- S-VIDEO OUT jack**
- AUDIO OUT (L/R) jacks**
- COAXIAL DIGITAL AUDIO OUT jack**
- COMPONENT VIDEO OUT jacks (Y, Pb & Pr)**

SETUP AND CONNECTIONS

CONNECTING TO A TV
The unit can be connected to your TV in several different ways, depending on the design of your TV. Note: Use only one of the connection methods listed below for connecting to your TV.

Method A (AV jacks) will give good picture quality. Method B (Component Video) will give better picture quality. Method C (HDMI) will give best picture quality.

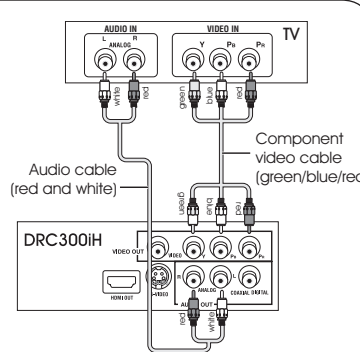
A. RCA AUDIO/VIDEO JACKS
1. Using the red, white and yellow connection on the AV cable (included), connect the VIDEO OUT and left/right AUDIO OUT jacks on the unit to the VIDEO IN and left/right AUDIO IN jacks on your TV.



B. COMPONENT VIDEO OUT (DVD)
Some TVs or monitors are equipped with component video inputs.

Using the red and white connection on an audio cable (not included), connect the left/right AUDIO OUT jacks on your unit to the left/right AUDIO IN jacks on your TV.

Using a component video cable (not included), connect the Y VIDEO OUT jack (green plug) on your unit to the Y VIDEO IN jack on your TV, the Pb VIDEO OUT jack (blue plug) on your unit to the Pb VIDEO IN jack on your TV and the Pr VIDEO OUT jack (red plug) on your unit to the Pr VIDEO IN jack on your TV to view the highest quality picture playback.



C. CONNECTING TO A DISPLAY (Using an HDMI cable)

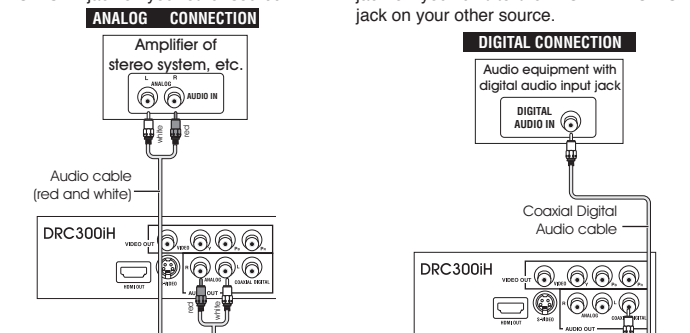
For TVs that support it, HDMI can provide the best quality audio and video output (depending on media source), and so is the preferred connection type. The HDMI cable incorporates both audio and video signals, so you will have just one cable running from the unit to your TV.

- Press the HDMI button on the remote control to change output signals as below:
480P (progressive)
720P (progressive)
1080i (interlace)
1080P (progressive)
- Refer to your TV Owner's Manual to determine the maximum resolution your TV can support. If the picture quality or colors on TV appear distorted, you may have set the output resolution on the DVD player to too high a value.
- When you connect the DVD player to your TV, be sure to turn off the power and unplug both units from the wall outlet before making any connections.
- If you have a HDMI (with HDCP) equipped monitor or display, you can connect it to this player using an HDMI cable.

HDMI, the HDMI logo and High-Definition Multimedia Interface are trademarks or registered trademarks of HDMI Licensing LLC.

CONNECTING TO OPTIONAL EQUIPMENT (AMPLIFIER or HOME THEATER)

A. ANALOG CONNECTION
Using an audio cable (not included), connect the left/right AUDIO OUT jack on your unit to the AUDIO IN jack on your other source.



- When you connect the unit to other equipment, be sure to turn off the power and unplug all of the equipment from the wall outlet before making any connections.
- If the external equipment is television and this audio system is close to it, you may experience the interference if the tuner function is selected while the television is working.
- Refer to the instruction manual of the connected equipment as well.

PLAYING A DISC



This user manual explains the basic instructions for operating this unit. Some DVDs are produced in a manner that allows specific or limited operation during playback. Therefore, this unit may not respond to all operating commands. THIS IS NOT A DEFECT. Please refer to the instructions accompanying the specific DVD in question for more information about the options available on that DVD.

may appear on the screen during operation. It means that the desired operation is not permitted by the unit or disc.

Playing a Disc

- Press the **STANDBY / ON** button to turn on the unit. See **CUSTOMIZING THE FUNCTION SETTINGS** before proceeding to step 2.
- Press the **OPEN/CLOSE** button to open the disc tray.
- Place a disc onto the disc tray with the label side up.
- Press the **OPEN/CLOSE** button to close the disc tray. It takes a short while for your unit to load the disc. After loading, for most DVDs, the unit will automatically take you main menu or start playing.
- If the unit does not automatically start playing the DVD, press the **PLAY** button.

Pausing Playback (Still Mode)

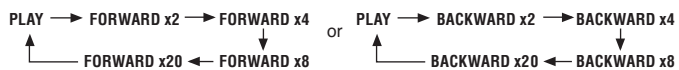
Press the **PAUSE** button on the remote. Each time you press the **PAUSE** button, the picture advances one frame. To resume normal playback, press the **PLAY** button.

Stopping Playback

- Press the **STOP** button at the spot where you want to interrupt playback. To resume playback at the spot where the disc was stopped, press the **PLAY** button.
- If you press the **STOP** button twice, the unit's memory will be cleared and pressing the **PLAY** button will reset the disc to the beginning.

Fast Forward / Fast Reverse

- Press the **SEARCH** **▶▶▶** or **SEARCH** **◀◀◀** button when a disc is playing. Each time you press the **SEARCH** **▶▶▶** or **SEARCH** **◀◀◀** button, the playback speed changes in the following sequence:
- Press the **PLAY** button when you reach the desired point to resume normal playback



Note:

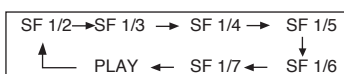
- The unit mutes sound and subtitles during reverse and forward scan of DVDs.
- The fast playback speed may differ depending on the disc.

Skipping to a Different Chapter/Title

- Press the **PREV** button to go back to current or previous chapters/tracks.
- Press the **NEXT** button to advance chapters/tracks.
- For audio CDs, use the number buttons on the remote control to jump immediately to the desired track number.

Slow-motion Play

- Press the **SLOW** button on the remote in play mode.
 - Each time the **SLOW** button is pressed, the speed of slow-motion playback changes in the following sequence:



- Press the **PLAY** button to return to normal playback speed.

Audio Selection

On some DVDs, the sound is recorded in two or more formats. Follow the directions below to select the preferred language and sound system.

- While a disc is playing, press the **AUDIO** button to show the current audio format (eg 5.1 or 2 channel).
- Press the **AUDIO** button repeatedly to select the desired audio format.

Note:

- If only one audio format is recorded on the DVD, the **AUDIO** button becomes an invalid key and will be displayed.
- Some DVDs allow you to change audio selections only via the disc menu. If this is the case, press the **MENU** button and choose the appropriate language on the disc menu.
- You can select different audio channels (Stereo, Mono L, Mono R or Mix Mono) on an Audio CD by pressing the **AUDIO** button repeatedly.

Subtitle Selection

- While a DVD is playing, press the **SUBTITLE** button to display the current language setting, as shown in the example.
- Press the **SUBTITLE** button repeatedly to select the desired subtitle language.

Note:

- Some DVDs are set to display subtitles automatically, and you cannot turn them off even if you set the subtitle function to off.
- During some scenes, the subtitles may not appear immediately after you select your desired scene.
- The number of subtitle languages recorded differs depending on the disc. If only one language is recorded, the language does not change.
- This function can only be used for discs on which subtitles have been recorded in multiple languages.
- Some DVDs allow you to change subtitles only via the disc menu. If this is the case, press the **MENU** button and choose the appropriate subtitle on the disc menu.

Angle Selection

Some DVDs contain scenes which have been shot from a number of different angles. For these discs, the same scene can be viewed from each of these different angles.

- While you are playing a DVD with different angles recorded, press the **ANGLE** button to view the number of current angles available.
- Press the **ANGLE** button repeatedly to change the scene to the next recorded angle.
 - After approx. two seconds, playback will continue from the new angle you selected.
 - If no button is pressed within 10 seconds, playback continues without changing the current angle.

Note:

- This function can only be used for discs on which scenes shot from multiple angles have been recorded.
- If only one angle is recorded, OFF is displayed.

Zooming into an image

While a disc is playing, press the **ZOOM** button repeatedly to enlarge the image in several levels.

- While an image is zoomed, you can use the **▲**, **▼**, **◀** or **▶** **CURSOR** button to shift the view and display the part you want.
- To return to normal view, press the **ZOOM** button until the "ZOOM: OFF" shows. The screen will return to normal.
- When you reach the edge of the image, the display will not shift anymore in that direction.

Display Function

While the disc is playing, press the **DISPLAY** button on the remote control repeatedly to display information on operation status.



Elapsed Time: Elapsed time from the beginning of the chapter/title which is currently playing.

Remaining Time: Remaining time of the chapter/title which is currently playing.

LOCATING A DESIRED SECTION

Locating a specific chapter / track

If you know the chapter / track number you want to play, you can locate a specific chapter / track by directly selecting a chapter / track number.

- Press the **GOTO** button to search your desired chapter / track.
- Press **◀** or **▶** button to highlight a chapter / track and press the corresponding number button(s) for the chapter you want.
- Press the **OK** button to confirm. The unit will start playback about 3 seconds later.

Locating a specific title

If a DVD disc contains title numbers, you can locate a specific title by directly selecting a title number.

- In stop mode, press the **GOTO** button.
- Press **◀** or **▶** button to highlight a specific field and press the corresponding number button(s) for the title you want.
- Press the **OK** button to confirm. The unit will start playback about 3 seconds later.

Locating a specific time

You can move to a specific location by entering its corresponding time (hours, minutes, seconds)

- Press the **GOTO** button.
- Press **◀** or **▶** button to highlight time.
- Press the corresponding number buttons for the setting point you want.
- Press the **OK** button to confirm. The unit will start playback about 3 seconds later.

Note:

- Some discs may not respond to this process.
- Some scenes may not be located as precisely as you specified.
- This method for accessing specific locations is available only within the current title of the DVD disc.

REPEAT PLAYBACK

You can play a specific title or chapter repeatedly. (Title repeat, chapter repeat, A-B repeat)

Repeating a chapter

You can play the same chapter repeatedly.

- While the disc is playing, press the **REPEAT DISC** button until the **REP: [CHAPTER]** indicator displays on the screen. The current chapter is played repeatedly.

Repeating a title

You can play the same title repeatedly.

- While the disc is playing, press the **REPEAT DISC** button until the **REP: [TITLE]** indicator displays on the screen. The current title is played repeatedly.

To resume normal playback

- While the disc is playing, press the **REPEAT DISC** button until the **REP: [OFF]** indicator displays on the screen.

You can play a single track and whole disc repeatedly.

Repeating a single track

You can play the same track repeatedly.

- While the disc is playing, press the **REPEAT DISC** button until the **REP: [REP 1]** indicator displays on the screen. The current track is played repeatedly.

Repeating a whole disc

- While the disc is playing, press the **REPEAT DISC** button until the **REP: [REP ALL]** indicator displays on the screen. The whole disc is played repeatedly.

To resume normal playback

- Press the **REPEAT DISC** button until the **REP: [OFF]** indicator displays on the screen.

You can play a specific section repeatedly.

Repeating a specific section

- While the disc is playing, press the **REPEAT A-B** button at the beginning of the section (REPEAT A- is displayed) you want to play repeatedly.
- Press the **REPEAT A-B** button again at the end of the section (REPEAT A-B is displayed).
- The unit will immediately begin replaying your selection.

To resume normal playback

- While the disc is playing, press the **REPEAT A-B** button until the A-B CANCEL indicator displays on the screen.

Note:

- Some discs may not permit A-B repeat operation.
- A-B repeat can only be used within the same title. If the start and end of the section to be repeated are in different titles, A-B repeat is cancelled.
- You can specify a segment only within the current title or track.
- The A-B repeat function does not operate in scenes where different camera angles are recorded.

PROGRAMMABLE MEMORY

The two types of programmed playback provided by this unit are title/chapter programmed playback and track programmed playback.

Title / Chapter programmed playback

- Press the **MEMORY** button.
- Enter the title numbers in . Use **▶** button to move the highlight to chapter and enter the chapter numbers in .
- Use **▲**, **▼**, **◀** or **▶** button to move to the other field.
- Repeat steps 2 to 3.
- Press the **▶** **PLAY** button to start the programmed playback.

Note: If you press the **STOP** button twice, the programmed selection will be cleared.

Track programmed playback

- Press the **MEMORY** button.
- Enter the track numbers in .
- Use **▲**, **▼**, **◀** or **▶** button to other field.
- Repeat steps 2 to 3.
- Press the **▶** **PLAY** button to start the programmed playback.

PLAYING PICTURE FILE DISC

This unit can play picture files recorded on CD-R and CD-RW discs.

Playing a Picture File Disc

- Open the disc door.
- Place a picture file disc onto the tray with label side up.
- Close the disc door.
- The unit will load the disc and automatically display the contents of the disc on the screen, while playing the beginning of the first picture file. These files will then be played back one by one.
- Press **◀** or **▶** button to select a picture file to view.
- Press the **▲**, **▼**, **◀** or **▶** **CURSOR** button to view and select the files that you want to view, then press the **OK** button to confirm the selected file.

Note:

- You can press the **PAUSE** button to interrupt playback, and press the **PLAY** button to resume playback.
- You can use the **GOTO** function or use the numbered buttons to enter the number of a picture file to quickly select the image.
- Press the **ANGLE** button on the remote control to rotate the picture orientation by 90°.

iPod/iPhone FEATURES

Connecting your iPod/iPhone

- Insert your iPod/iPhone into the connector in the dock.
- Press the **SOURCE** button to select iPod/iPhone mode, the iPod/iPhone Home menu appears. Your iPod/iPhone will connect automatically within a few seconds.

Note:

- Your iPod/iPhone will be charged automatically (until fully charged) once it is connected, no matter whether the unit is in iPod/iPhone mode or not.

Playing Music

- In iPod/iPhone Home menu, use the **▼ / ▲** button to select Music and press the **OK** button.
- Use the **▼ / ▲** button to select from Playlists, Artists, Albums, Songs, Genres or Composers. Press the **OK** button to enter.
- Use the **▼ / ▲** button to navigate the iPod menu lists and select songs, press the **OK** button to begin playback. (You may also navigate using your iPod screen after pressing **CLEAR** key to activate the menu on the iPod screen.)
 - Press the **PAUSE** button to pause, press the **▶** **PLAY** button to resume.
 - Press the **◀◀ / ▶▶** button to skip to the previous / next song.
 - Press the **◀◀ / ▶▶** button to begin fast reverse/forward, press the **▶** **PLAY** button to resume normal playback.
 - Press **REPEAT DISC** button to select a repeat playback mode (a single repeat or all songs repeat). Press again repeatedly to cancel this repeat playback.
- Press the **RETURN** button to go back to the previous menu.

Note:

- You can use the **◀ / ▶** button to quickly navigate menu lists one screen at a time.

Playing Photos

- In iPod/iPhone Home menu, use the **▼ / ▲** button to select Photos and press the **OK** button. "Navigate your iPod Photo Library directly from your iPod" will appear on the screen.
- Please use the control on your iPod/iPhone to operate.
 - Press the **PAUSE** button to pause, press the **▶** **PLAY** button to resume.
 - Press the **◀◀ / ▶▶** button to skip to the previous / next photo.
- Press the **RETURN** button to go back to the previous menu.
- Press the **CLEAR** button to exit Photo Mode.

Using an iPod Touch to view photos

- In iPod Home menu, use the **▼ / ▲** button to select Photos and press the **OK** button. "Navigate your iPod Photo Library directly from your iPod" will appear on the screen.
- Touch the "Photos" selection on iPod panel, and then select the photo you prefer.



- Touch the "▶" to confirm the photo.
- Depending on the video output setting of your iPod, you may need to tap "yes" on your iPod screen to activate iPod's video output.
- Press **RETURN** button to end the photo viewing and go back to the previous menu.

Using an iPod Classic / iPod Nano to view photos

- In iPod Home menu, use the **▼ / ▲** button to select Photos and press the **OK** button. "Navigate your iPod Photo Library directly from your iPod" will appear on the screen.



- Press the **▼ / ▲** button to select "Photos", and then press the **OK** button to confirm.
- Use the **▲**, **▼**, **◀** or **▶** button to select a photo, press the **OK** button to begin playback.
- Press **OK** button twice to activate photo showing to TV screen.
- Press **RETURN** button to end the photo viewing and go back to the previous menu.
- Press the **CLEAR** button to exit Photo Mode.

Note:

Make sure video out is activated in the setting of iPod Classic or iPod Nano.

Playing Videos

- In iPod/iPhone Home menu, use the **▼ / ▲** button to select Videos and press the **OK** button.
 - Use the **▼ / ▲** button to select from Movies, Music Videos, TV Shows, Video Podcasts or Rentals, press the **OK** button to enter. ("Navigate your iPod/iPhone Video Library directly from your iPod/iPhone" may appear on the screen if you are using an iPod Touch.)
 - Use the **▼ / ▲** button to navigate the iPod/iPhone menu lists and select a video, press the **OK** button to begin playback. (You may also use the control wheel and keys on your iPod/iPhone to operate it.)
 - Press the **PAUSE** button to pause, press the **▶** **PLAY** button to resume.
 - Press the **◀◀ / ▶▶** button to skip to the previous / next movie.
 - Press the **◀◀ / ▶▶** button to begin fast reverse/forward, press the **▶** **PLAY** button to resume normal playback.
 - Press the **RETURN** button to go back to the previous menu.
- Note : Make sure TV Out in iPod is set to ON when you are playing the video.

Settings

- In iPod/iPhone Home menu, use the **▼ / ▲** button to select Settings and press the **OK** button.
- Use the **▼ / ▲** button to select from Shuffle, Repeat or Language. Press the **OK** button to enter the settings.
- Use the **▼ / ▲** button to a setting, press the **OK** button to confirm.
- Press the **RETURN** button to go back to the previous menu.
 - Shuffle : Select from Shuffle Off, Shuffle Songs and Shuffle Albums.
 - Repeat : Select from Repeat Off, Repeat One and Repeat All.
 - Language : Select OSD language.

WARNING: Due to the iPod/iPhone limitation, not all functions of some iPod/iPhone models can be controlled via the remote control.

Please Navigate directly on your iPod OR Press The [CLEAR] Key to go back to main menu

If the above screen appears, you may need to control the iPod Library directly from your iPod/iPhone.

Note

If your iPhone is called while it is docked, playback will be paused.

iPod is a trademark of Apple Computer, Inc., registered in the U.S. and other countries.

CUSTOMIZING THE FUNCTION SETTINGS

There are four options in the main setup menu: System Setup, Language Setup, Audio Setup and Video Setup.

In DVD mode, press **SETUP** to bring up the main menu. Select one of the menu icons across the top of the screen using the **◀** or **▶** buttons. The menu's options are displayed on the left side of the screen. Press the **▲**, **▼**, **◀** or **▶** buttons to move to the option's choices on the right. Then press **OK** to select. Press **SETUP** or **RETURN** if you want to exit.

SYSTEM SETUP

- Press the **SETUP** button in DVD mode.
- Select System Setup in the main menu using the **▲**, **▼**, **◀** or **▶** buttons.
- Select a menu option using the **▲** or **▼** buttons and press **OK** button.

VIDEO OUTPUT (HD OUTPUT / ANALOG VIDEO)

This allows you to pick the video output and video resolution that best suits your TV's capabilities.

Note: Not all video outputs are operational for all video settings – the Composite Video Out (YELLOW jack) is active for all video settings – we **STRONGLY** recommend you connect this jack to your TV using the AV cable (included with this product), even if you intend to use a different connection for normal viewing. If you find you lose video by enabling a particular unsupported setting when using a connection other than Composite Video Out – simply switch your TV to the AV input that you've connected the AV cable to, then continue with your Video Menu setup activity.

If using digital HDMI connection (recommended), you should pick the resolution (480p, 720p, 1080i, 1080p) that matches the capabilities on your TV. If using analog video connection - Composite Video (AV), S-Video, or Component Video - you must select 480p resolution under HDMI settings. There are three analog video settings: INTERLACE-YUV : Select if you are connecting the player with Component Video outputs to a non-Progressive Scan TV.

P-SCAN YPbPr : Select if you are connecting the player with Component Video outputs to a Progressive Scan TV.

S-VIDEO : Select if you are connecting the player with S-VIDEO output to a TV with S-VIDEO input

TV TYPE

Depending on the format of the DVD, you can choose the picture format (aspect ratio) best suited to the format of your TV screen:

4:3 PS (Pan Scan)

- When wide-screen video is played, this mode clips the right and left sides of the image so that it can be viewed on a conventional screen.
- Some wide-screen DVDs that do not permit Pan Scan mode playback are automatically played in letterbox mode (black bands top and bottom).

4:3 LB (Letter Box)

- When wide-screen video is played in this mode on a conventional Analog TV, black bands appear at the top and bottom of the screen.
- 16:9 (Wide screen)
- This is the correct mode for playing wide-screen videos on a wide-screen TV (most modern Digital TV's).

Note :

- The displayable picture size is determined by the DVD disc. Therefore the playback picture of some DVD discs may not conform to the picture size you select.
- When you play DVD discs recorded in the 4:3 aspect ratio, the playback picture will always appears in the 4:3 aspect ratio regardless of the TV TYPE setting.

DEFAULT

It takes 3-5 seconds to reset the unit to the factory default.

LANGUAGE SETUP

- Press the **SETUP** button in DVD mode.
- Use **▶** button to select Language Setup.
- Use **▲**, **▼**, **◀** or **▶** button to select a language, then press the **OK** button. The screen will change to your selected language immediately.
- To exit the **SETUP MENU** and return to the normal screen, press the **RETURN** or **SETUP** button.

Note:

- Some DVDs may not play in the audio language selected. A prior language may be programmed on the disc.
- Some DVDs may be set to display subtitles in a language other than the one you selected. A different subtitle language may be programmed on the disc.
- Some DVDs allow you to change subtitle selections only via the disc menu. If this is the case, press the **MENU** button and choose the appropriate subtitle language from the selection on the disc menu.
- Some DVDs may not include your pre-selected language. In this case, the DVD player automatically displays disc menus consistent with the disc's initial language setting.

AUDIO SETUP

- Press the **SETUP** button in DVD mode.
- Select Audio Setup in the main menu using the **◀** or **▶** buttons.
- Select a menu option using the **▲**, **▼**, **◀** or **▶** buttons and press **OK** button.

DIGITAL AUDIO

Select the Digital Audio Output format that matches your audio system's capabilities. If your audio system supports Dolby Digital (surround sound), you should select "RAW DVD FORMAT" setting. If your system only supports Stereo (or if you're using your TV's stereo speakers for audio playback), then you select "PCM (STEREO)" setting. Note, you'll only experience full surround sound if you use the COAXIAL Digital Audio output, and have selected "RAW DVD FORMAT" setting. Please also note that not all DVD's have surround sound audio tracks.

- If using HDMI connection to TV for Video AND Audio playback, you should select "PCM (STEREO)" setting, so as to ensure a stereo (not surround sound) signal is passed to your TV's speakers.

VIDEO SETUP

- Press the **SETUP** button in DVD mode.
- Select Video Setup in the main menu using the **◀** or **▶** buttons.
- Select Brightness, Contrast, Hue, Saturation or Sharpness using the **▲** or **▼** buttons, highlight your selections and press **OK** button.

Specifications and external appearance are subject to change without notice.

Printed in China

811-793091W1010

Free Manuals Download Website

<http://myh66.com>

<http://usermanuals.us>

<http://www.somanuals.com>

<http://www.4manuals.cc>

<http://www.manual-lib.com>

<http://www.404manual.com>

<http://www.luxmanual.com>

<http://aubethermostatmanual.com>

Golf course search by state

<http://golfingnear.com>

Email search by domain

<http://emailbydomain.com>

Auto manuals search

<http://auto.somanuals.com>

TV manuals search

<http://tv.somanuals.com>