

OWNER'S MANUAL —
Please read before using this equipment.

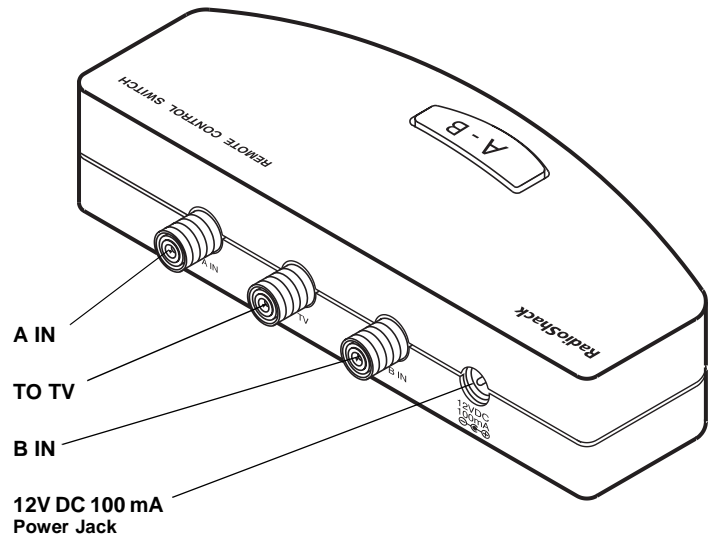
Thank you for purchasing a RadioShack Remote Control A/B Switch. Your switch lets you connect two 75-ohm VHF/UHF/Cable sources to your television with only one 75-ohm jack without mixing the signals. You can connect sources such as broadcast TV, cable TV, a VCR, or a video game system, and switch between the sources without leaving your seat. The high-isolation design prevents interference between the two sources, and the electronic switching provides reliable operation because there are no mechanical parts to wear out. The hand-held transmitter's miniature design takes up very little surface space.

CONNECTING THE REMOTE CONTROL SWITCH

The remote control switch has two 75-ohm input terminals and one 75-ohm output terminal.

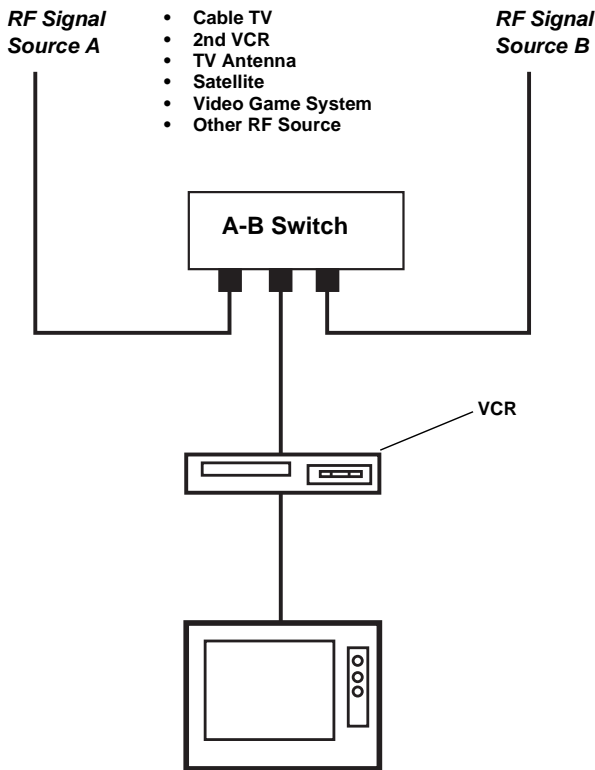
Use 75-ohm coaxial cable for the connections. Your local RadioShack store sells the proper cables and connection accessories.

1. Connect the output terminals of the two 75-ohm VHF/UHF/Cable sources to the switch's **A IN** and **B IN** terminals.
2. Then, connect the switch's **TO TV** output terminal to your TV monitor's input terminal.



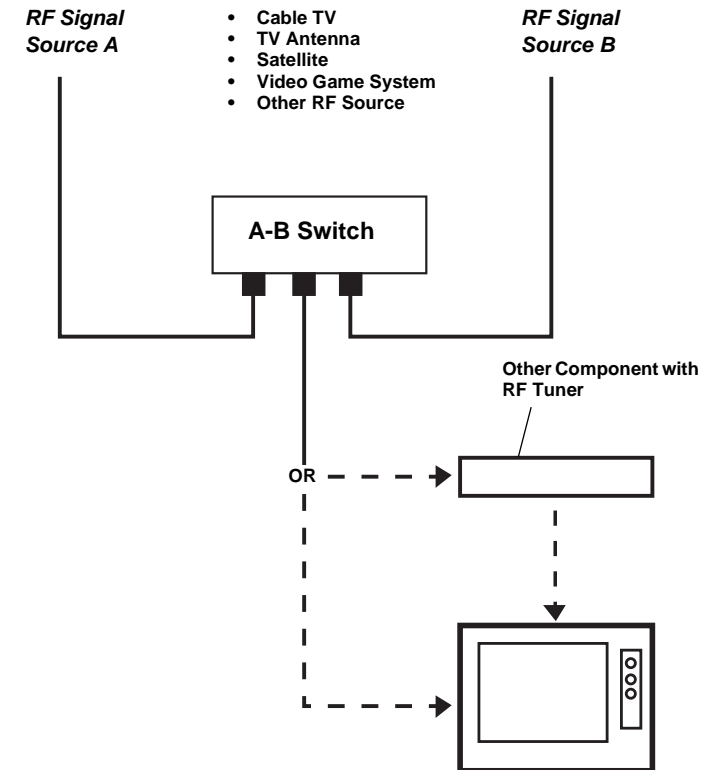
If you have a VCR

Hook up your VCR between the switch and your TV so you can record programming from Source A and Source B.



If you do not have a VCR

Hook up the switch directly to your TV, or hook up a component with an RF Tuner between your switch and your TV.



! IMPORTANT !

If an icon appears at the end of a paragraph, go to the box on that page with the corresponding icon for pertinent information.

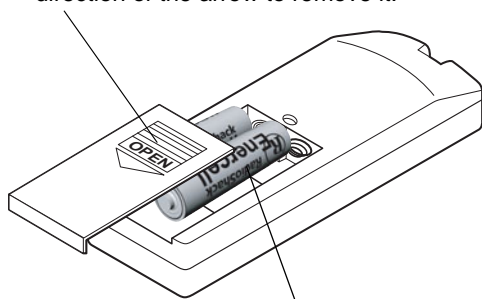
! — Important

📌 — Note

INSTALLING BATTERIES

The transmitter requires two AA batteries (not supplied). Batteries are available at your local RadioShack store or online at www.radioshack.com.

1. Slide the battery compartment cover on the back of the transmitter in the direction of the arrow to remove it.



2. Place the batteries in the compartment according to the polarity symbols (+ and -) marked inside.
3. Replace the battery compartment cover.

When the switch stops operating properly, replace the batteries.

BATTERY NOTES

- Dispose of old batteries promptly and properly.
- Do not burn or bury batteries.
- Use only fresh batteries of the required size and recommended type.
- Do not mix old and new batteries, different types of batteries (standard, alkaline, or rechargeable), or rechargeable batteries of different capacities.
- If you do not plan to use the switch for a week or more, remove the batteries. Batteries can leak chemicals that can destroy electronic parts.

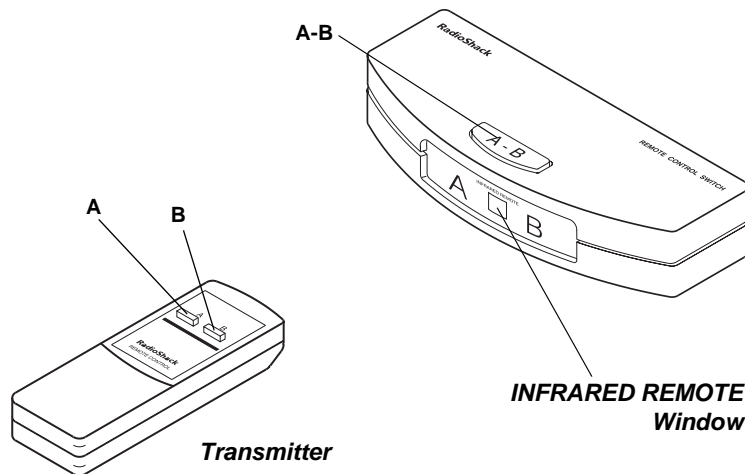
POWERING YOUR SWITCH

Connect the supplied AC adapter to the power jack on the back of the switch. Then, plug the other end of the adapter into a standard AC outlet. The power turns on.

After you complete all connections, place the remote control A/B switch in a location that exposes the switch's INFRARED REMOTE window, on top of the TV, for example.

USING YOUR SWITCH

To operate the remote control A/B switch, simply point the transmitter at the INFRARED REMOTE window on the front of the remote control switch and press A or B to switch between the two 75-ohm sources. Or, press A-B on the top of the switch.



SPECIFICATIONS

Input	75 Ohms, F-Connector × 2
Output	75 Ohms, F-Connector × 1
Isolation	5 – 216 MHz 80 dB Min; 216 – 550 MHz 65 dB Min; 550 – 900 MHz 50 dB Min
Insertion Loss	1.5 dB (Max.)
Remote Control Range	23 Ft (7 m) (At 0° Angle) 16 Ft (5m) (At ±15° Angle)
Power Source	Class 2, Regulated 120V AC, 60 Hz; 12V DC, 100 mA, Positive (+) Tip AC Adapter Use of any other power source may cause damage.

Specifications are typical; individual units might vary. Specifications are subject to change and improvement without notice.

Limited Ninety-Day Warranty

This product is warranted by RadioShack against manufacturing defects in material and workmanship under normal use for ninety (90) days from the date of purchase from RadioShack company-owned stores and authorized RadioShack franchisees and dealers. EXCEPT AS PROVIDED HEREIN, RadioShack MAKES NO EXPRESS WARRANTIES AND ANY IMPLIED WARRANTIES, INCLUDING THOSE OF MERCHANTABILITY AND FITNESS FOR A PARTICULAR PURPOSE, ARE LIMITED IN DURATION TO THE DURATION OF THE WRITTEN LIMITED WARRANTIES CONTAINED HEREIN. EXCEPT AS PROVIDED HEREIN, RadioShack SHALL HAVE NO LIABILITY OR RESPONSIBILITY TO CUSTOMER OR ANY OTHER PERSON OR ENTITY WITH RESPECT TO ANY LIABILITY, LOSS OR DAMAGE CAUSED DIRECTLY OR INDIRECTLY BY USE OR PERFORMANCE OF THE PRODUCT OR ARISING OUT OF ANY BREACH OF THIS WARRANTY, INCLUDING, BUT NOT LIMITED TO, ANY DAMAGES RESULTING FROM INCONVENIENCE, LOSS OF TIME, DATA, PROPERTY, REVENUE, OR PROFIT OR ANY INDIRECT, SPECIAL, INCIDENTAL, OR CONSEQUENTIAL DAMAGES, EVEN IF RadioShack HAS BEEN ADVISED OF THE POSSIBILITY OF SUCH DAMAGES.

Some states do not allow limitations on how long an implied warranty lasts or the exclusion or limitation of incidental or consequential damages, so the above limitations or exclusions may not apply to you.

In the event of a product defect during the warranty period, take the product and the RadioShack sales receipt as proof of purchase date to any RadioShack store. RadioShack will, at its option, unless otherwise provided by law: (a) correct the defect by product repair without charge for parts and labor; (b) replace the product with one of the same or similar design; or (c) refund the purchase price. All replaced parts and products, and products on which a refund is made, become the property of RadioShack. New or reconditioned parts and products may be used in the performance of warranty service. Repaired or replaced parts and products are warranted for the remainder of the original warranty period. You will be charged for repair or replacement of the product made after the expiration of the warranty period.

This warranty does not cover: (a) damage or failure caused by or attributable to acts of God, abuse, accident, misuse, improper or abnormal usage, failure to follow instructions, improper installation or maintenance, alteration, lightning or other incidence of excess voltage or current; (b) any repairs other than those provided by a RadioShack Authorized Service Facility; (c) consumables such as fuses or batteries; (d) cosmetic damage; (e) transportation, shipping or insurance costs; or (f) costs of product removal, installation, set-up service adjustment or reinstallation.

This warranty gives you specific legal rights, and you may also have other rights which vary from state to state.
RadioShack Customer Relations, 200 Taylor Street, 6th Floor, Fort Worth, TX 76102

12/99

Free Manuals Download Website

<http://myh66.com>

<http://usermanuals.us>

<http://www.somanuals.com>

<http://www.4manuals.cc>

<http://www.manual-lib.com>

<http://www.404manual.com>

<http://www.luxmanual.com>

<http://aubethermostatmanual.com>

Golf course search by state

<http://golfingnear.com>

Email search by domain

<http://emailbydomain.com>

Auto manuals search

<http://auto.somanuals.com>

TV manuals search

<http://tv.somanuals.com>