

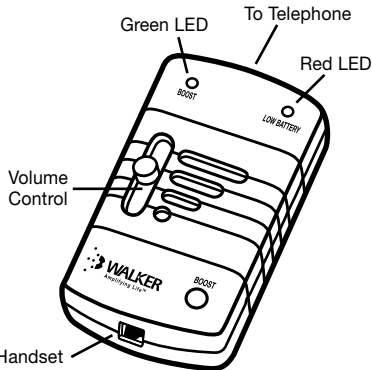
CE-135 PHONE AMPLIFIER USER GUIDE

Important Safety Instructions

When using your telephone equipment, basic safety precautions should always be followed to reduce the risk of fire, electric shock and injury to persons, including the following:

- Read and understand all instructions.
- Follow all warnings and instructions marked on the product.
- Unplug this product from the wall outlet before cleaning. Do not use liquid cleaners or aerosol cleaners. Use a damp cloth for cleaning.
- Do not use this product near water, for example, near a bathtub, washbowl, kitchen sink, or laundry tub, in a wet basement, or near a swimming pool.
- Avoid using a telephone (other than a cordless type) during an electrical storm. There may be a remote risk of electric shock from lightning.
- Do not use this telephone to report a gas leak in the vicinity of the leak.
- Use only the power cord and batteries indicated in this manual. Do not dispose of batteries in a fire. They may explode. Check with local codes for possible special disposal instructions.

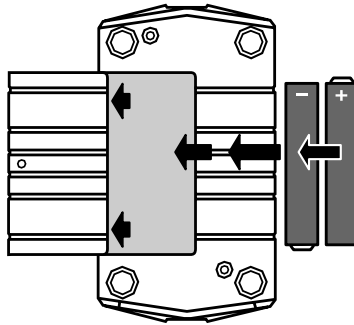
Features



Power Requirements

The CE-135 requires two AAA batteries (alkaline-type recommended). Install the batteries in the battery compartment before using.

IMPORTANT: Always disconnect the CE-135 from the telephone before replacing the battery!



Battery Installation

1. Remove screw from battery door.
2. Remove battery door and insert the batteries as indicated.
3. Replace battery door by sliding and snapping into place.
4. Replace screw to secure.

Installation

1. Remove the handset modular cord from the telephone base and insert into the jack at the bottom (handset) of the CE-135.
2. Insert one end of the provided short cord into the CE-135 jack at the top of the unit (telephone).
3. Insert the other end of the short cord into the handset jack located in the base of the telephone.
4. All plugs should be inserted so that they "snap" into place.
5. Pick up the handset. Check for dial tone.

Volume Control

The CE-135 provides 15dB of volume control before the BOOST button is activated. Once the BOOST button is pressed, The CE-135 will provide up to 25dB of gain. The frequency level is controlled with the volume slide located on the on the top of the CE-135.

1. Slide the frequency control upward to increase the volume of the higher frequencies; sliding the frequency control downward will decrease the high frequencies back to normal.

Note: The visual indicator changes color as the volume control is slide in either direction.

If used together with a FCC68 certified Telephone Set, this amplifier may affect the compliance of Hearing Aid Compatibility and Volume Control of the telephone set in FCC68.

Clarity® Power™ Technology

Insures the user that high frequency sounds are amplified more so than the lower frequencies. Conversations will not only be louder, but clearer and easier to understand.

Boost Button

The BOOST button engages the amplifier and Clarity Power. The BOOST button will automatically reset to OFF upon hang-up. The BOOST button will need to be depressed with each phone call to restore settings.

Boost LED

The BOOST LED will illuminate green when the boost feature is activated.

Operation

Depress BOOST button and adjust the Volume Control to desired listening level.

Battery Indicator

Monitors the condition of the batteries. The indicator will flash red when the batteries should be changed. The led will only flash while the unit is in use. Replace the batteries as soon as possible. The battery should be replaced with 2 AAA batteries (alkaline-type recommended).

Battery Life

The battery life depends upon how often and how you adjust the frequency level. The life of the battery should last between two and six months, depending on the type of use.

Trouble Shooting

The CE-135 is designed for long and trouble free operation. However, if any problem arises in using your telephone disconnect the amplifier from the telephone. Re-connect the handset to the telephone. If the problem disappears, than the problem may lie within your amplifier. If the handset is completely dead, make sure each cord is correctly installed. If the handset is still dead, the battery may be incorrectly installed or need replacing.

If the problem does not go away after disconnecting the amplifier, than the problem lies in your telephone or telephone line. Notify your phone company or contact the manufacturer of the telephone for servicing procedures or facilities.

We welcome your feedback! Our Customer Service Representatives can be reached at 1-800-552-3368 or 423-622-7793.

SAVE THESE INSTRUCTIONS

Download from www.Somanuals.com. All Manuals Search And Download.

Free Manuals Download Website

<http://myh66.com>

<http://usermanuals.us>

<http://www.somanuals.com>

<http://www.4manuals.cc>

<http://www.manual-lib.com>

<http://www.404manual.com>

<http://www.luxmanual.com>

<http://aubethermostatmanual.com>

Golf course search by state

<http://golfingnear.com>

Email search by domain

<http://emailbydomain.com>

Auto manuals search

<http://auto.somanuals.com>

TV manuals search

<http://tv.somanuals.com>