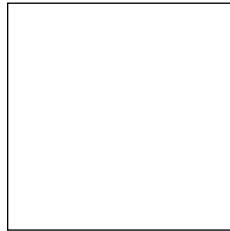


# **Built-under Freezer**



# **User Guide**

&

Installation & Service Instructions



**PLEASE KEEP FOR FUTURE REFERENCE**

U110120 - 01A

# Contents

---






<b>1. Before You Start</b>	<b>1</b>
Safety	1
Refrigerant Gas Information	2
Caring for the Environment	2
<b>2. About Your Freezer</b>	<b>3</b>
About the Freezer Compartment	3
Defrosting Food for Cooking	3
Freezer Controls	4
During First Use	4
Freezing Fresh Food	5
Freezing with Fast Freeze	5
<b>3. Food Storage Tips</b>	<b>6</b>
Tips on Freezing Food	6
<b>4. Installation</b>	<b>7</b>
Positioning Your Appliance	7
Reversing the Door	7
Adjusting the Feet	9
Fitting the Plinth	9
Fitting the Furniture Door	10
Securing the appliance in position	11
Electrical Supply Connection	12
<b>5. Cleaning and Maintenance</b>	<b>13</b>
Cleaning	13
Defrosting	13
When Not in Use	13
<b>6. Troubleshooting</b>	<b>14</b>
<b>7. Warranty/After Sales Service</b>	<b>15</b>
<b>8. Technical Data</b>	<b>16</b>

Due to our policy of continual improvement, we reserve the right to change specifications without prior notice.

# 1. Before You Start





---

Thank you for buying a Rangemaster appliance. We hope that it provides a stylish yet practical solution to your cooling needs. We hope that this handbook supplies you with all the information you require. If there is anything you are not sure of please contact us (see Warranty section for the Customer Service details).

-  **WARNING: This appliance must be earthed.**
-  **Please leave the appliance to stand for at least eight hours. This will allow the cooling system to settle following transportation.**
-  **Always make sure a qualified person installs this appliance.**
-  **The freezer compartment is rated at 4 stars.**
-  **This appliance is designed for domestic use only. Using it for any other purpose could invalidate any warranty or liability claim.**

- Before you plug the appliance into the mains, clean the inside of the appliance using warm water and bicarbonate of soda, then dry thoroughly.
- Check that no parts of the appliance are damaged, especially parts of the cooling system, pipes or leads. If damage has occurred DO NOT install the appliance. You should contact a qualified service engineer or return the appliance to its place of purchase.
- If the accessories inside the appliance have been disturbed during transit, reposition them in accordance with the instructions.
- Make sure that the electrical supply to your plug socket is correct for this appliance: the required information is on the data badge of the appliance.
- Once the appliance is installed, cleaned and dry, it is ready to be plugged in and switched on.
- Never allow the back coils of the appliance to come into contact with the wall surface.
- Never block the ventilation openings of the appliance. It is vital to keep your appliance well ventilated, so that there is proper airflow between the bottom of the unit and the plinth/kickplate which it is sitting on.

## Safety

-  **The data badge is located inside the appliance (left-front edge of the freezer compartment).**
-  **WARNING: Keep this appliance clear of any obstruction.**
-  **DO NOT damage the refrigerant circuit. If it does become damaged, do not use the appliance. In case of damage, contact Customer Service, ventilate the room where the appliance is located and avoid flames.**
-  **WARNING: Do not use mechanical devices (such as hair dryers) to defrost this appliance.**

- When replacing old appliances, make sure that you have disabled any locking mechanisms before disposal: it may even be best to remove the appliance door completely to prevent children from becoming trapped inside the appliance.
- The appliance must be connected to the power supply safely. Loose connections, broken plugs and bare wires are a safety hazard. Make sure that all electrical connections are sound.
- Before undertaking any routine maintenance or minor repairs, disconnect the appliance from the electrical supply: this includes cleaning.
- DO NOT touch cold surfaces of the appliance while it is in use as this will cause hands to stick to them leading to freezer burns.
- When moving the appliance take care not to damage the leads, pipes or condenser unit. Should these parts become damaged, contact a qualified service engineer.
- Effervescent liquids (fizzy drinks) should never be frozen. These liquids expand during freezing and this may lead to the bottles/containers shattering or exploding.
- Foods that are intended to be defrosted or cooked first, such as breads or meats, must not be eaten in their frozen state.
- Never use sharp, metal implements to scrape ice off the surface of this appliance. Only use implements, which are fit for this purpose (such as plastic scrapers) and use carefully to avoid damaging the lining of the appliance.
- The cooling system contains refrigerant and oils, all of which are harmful to health if leaked. Should leakage occur, disconnect the appliance and ventilate the room it is installed in. Take care to make sure that you do not get any coolant near to, or in, your eyes. Contact a service engineer or arrange to have the appliance removed. DO NOT use the appliance under any circumstances.

## Electrical safety

- Connections to the mains supply should be in accordance with local regulations.
- The appliance must be plugged into an earthed socket.
- The plug MUST be accessible after the appliance has been positioned.
- The appliance is supplied with a standard three-pin plug, of which the one for grounding should never be removed.
- Hold the plug, not the electrical cable, when unplugging the appliance.
- Make sure that the appliance does not trap the electric cable.
- Do not step on the cable.
- Avoid damage to the electric cable when moving the appliance.

### **Damaged electrical cable**

If the electrical cable is damaged or worn, turn off the appliance and consult an authorised agent for replacement.

## **Refrigerant Gas Information**

**IMPORTANT:** This appliance is provided with refrigerant gas, ISOBUTHANE (R600a). When moving the appliance take care to ensure that it is not excessively struck or shaken. Failure to do so could damage the appliance.

Damage to the refrigerating circuit, with possible leaking of refrigerating gas, could create a risk of explosion caused by external sparks or flames.

### **In the event of accidental leakage**

Allow the material to evaporate if there is adequate ventilation.

### **Behaviour of the gas**

This refrigerant gas is highly flammable so do not allow the gas to come into contact with hot surfaces or naked flames. Gas R600a is heavier than air: if released it forms a high concentration at floor level where ventilation is poor.

### **First aid**

#### **Inhalation**

Take the exposed person from the polluted area and carry them to a warm, well ventilated place.

Long exposure can cause the onset of asphyxia and possible loss of consciousness. If necessary, practice artificial respiration, and in the most serious cases, administer oxygen under close medical supervision.

#### **Skin contact**

It is unlikely that occasional contact with the skin is dangerous. If this should happen, thoroughly wash the affected zone.

Liquid splashes and atomised liquid can cause freezing burns. Wash the affected part with plenty of water and call a doctor to treat any burns.

#### **Eye contact**

Wash with plenty of water, with eyelids well open, and call a specialist doctor as soon as possible.

**In any event, should you inhale or come into contact with R600a gas, we advise you to consult your own doctor.**

## **Caring for the Environment**

### **Disposing of your packaging**

Your new freezer was protected by suitable packaging while on its way to you. All of the materials used are environmentally friendly for disposal and can be recycled. Please make a contribution to protecting the environment by disposing of the packaging appropriately.

### **Disposing of your old freezer**



This symbol on the product or its packaging indicates that the product may not be treated as household waste. Instead it should be handed over your local community waste collection/ recycling centre.

Old appliances still have some residual value. An environmentally friendly method of disposal will make sure that valuable raw materials can be recovered and used again.

When an appliance has reached the end of its working life unplug it from the mains. Cut off the mains cable and dispose of it together with the plug.

Make the door unfit for use (by removing the seals) or remove the door so that children cannot accidentally lock themselves in.

Cycloisopentane, a flammable substance not harmful to ozone, is used as an expander for the insulating foam.

When transporting the appliance, take care not to damage the cooling circuit.

By making sure this product is disposed of correctly, you will help prevent potential negative consequences for the environment and human health, which could otherwise be caused.

For more detailed information about recycling of this product, please contact your local council, your household waste disposal service or the shop where you purchased the product.

## 2. About Your Freezer

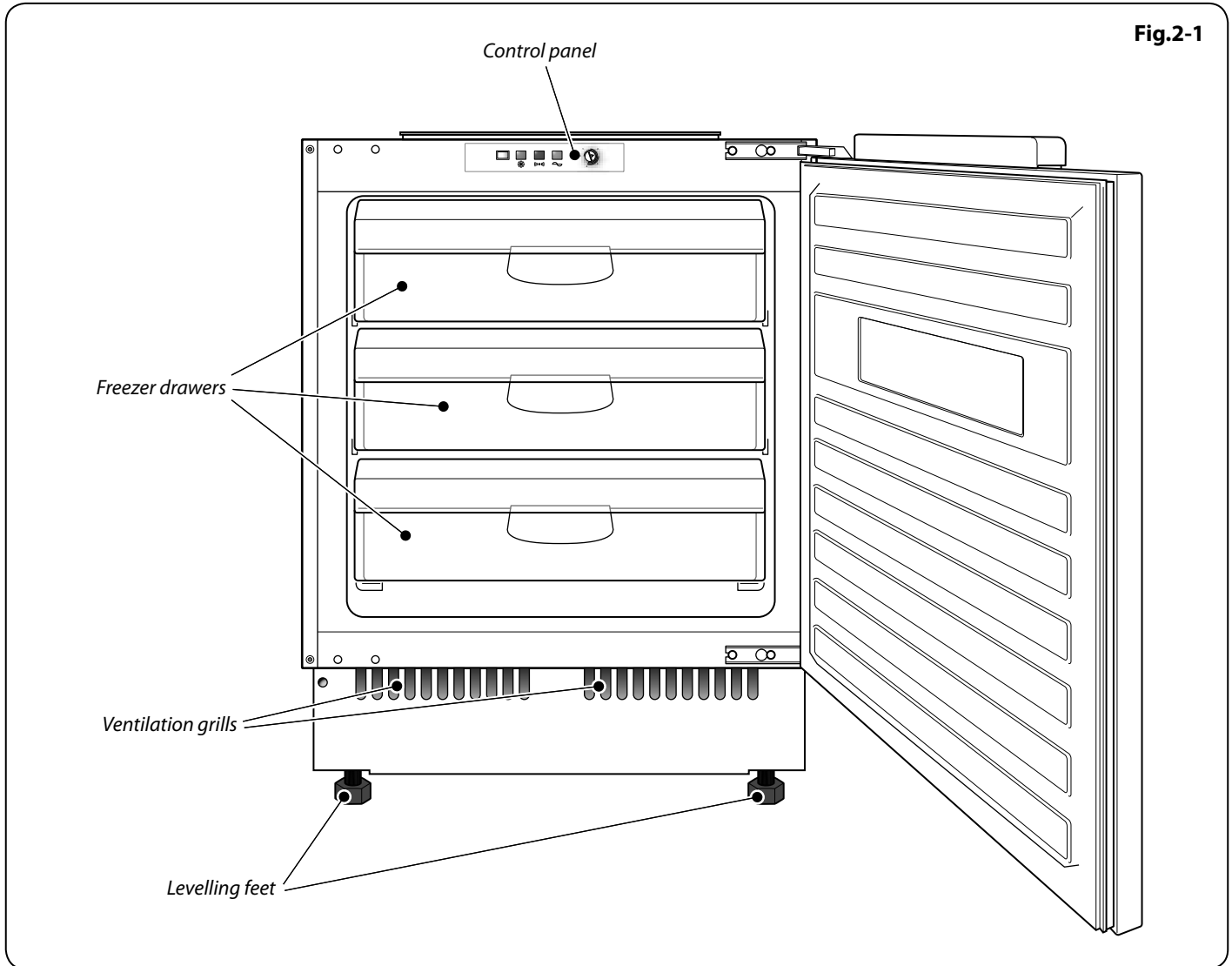


Fig.2-1

The freezer is shown in **Fig.2-1** and has the following features:

- Manual defrost
- Adjustable thermostat
- LED controls
- Temperature rise warning indicator
- Fast freeze function
- 3 wire drawers
- Reversible door
- Door-on-door fittings
- Adjustable feet

### About the Freezer Compartment

The freezer compartment consists of 3 wire drawers and an ice tray.

The freezer compartment temperature must have already reached  $-18\text{ }^{\circ}\text{C}$  (or lower) before you attempt to store food that is already frozen or freezing fresh food.

Certain areas of the freezer are better for storage of certain foods.

Ice creams and water ices are best stored towards the rear of the appliance where it is coldest.

Large/heavier portions of food, such as meats joints for roasting are best stored in the drawer at the bottom of the appliance, while less weighty items should be stored in the upper drawers: this is to prevent damage to the appliance.

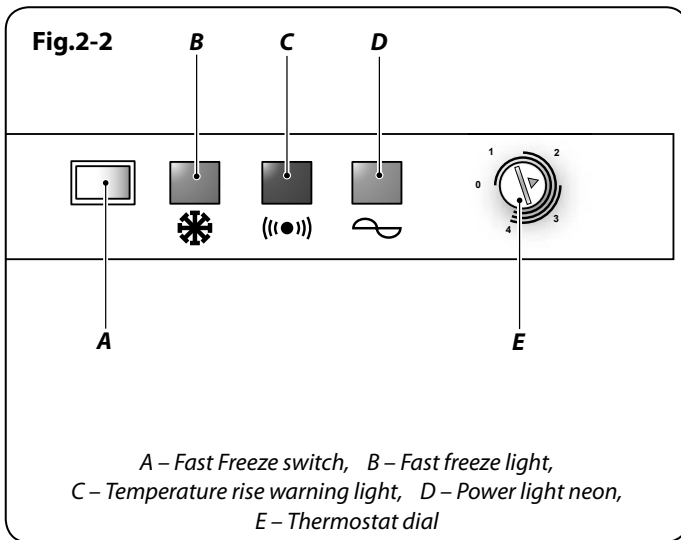
Always make sure that food stored is suitable for freezing, and that you have stored it securely inside the appliance.

### Defrosting Food for Cooking

Should food become partially thawed, or defrosted it should be consumed as soon as possible as the quality will be affected by defrosting.

**⚠ Always make sure that food is thoroughly defrosted before cooking and no ice crystals remain. This is especially important for poultry, as this can be extremely harmful to health.**

Always follow the defrosting instructions on packaging when defrosting ready meals. Manufacturers' guidelines are always best, as some frozen foods should be cooked from frozen.



## Freezer Controls

The freezer control panel is at the top of the freezer (**Fig.2-2**).

- A.** Fast freeze switch.
- B.** Fast freeze light (Orange): this will light up when the fast freeze switch has been activated.
- C.** Temperature rise warning light (Red): this will light up when the appliance detects a rise in temperature that could affect the contents of your freezer.
- D.** Power light (Green): this will light up as soon as the appliance is connected to the mains supply.

## Setting the thermostat

The thermostat control knob is located on the control panel at the top of the freezer (**Fig.2-3**).

The thermostat automatically regulates the temperature inside of the freezer, depending on what number you have turned the thermostat control knob to:

- Position **[0]** means that the freezer will not cool. However, the power light will still function.
- Position **[1]** will give you a higher temperature inside of the freezer.
- Position **[4]** will give you a lower temperature inside of the freezer.
- Ideally the thermostat should be set to a position of between **[2]** to **[3]**.
- The freezer can cool to  $-18^{\circ}\text{C}$  and lower.

**IMPORTANT:** The ambient temperature of the room, the temperature of the food and the amount of food that has been placed in the appliance and how often the door is opened, will all affect the temperature being maintained by the appliance.

**On the maximum setting (position [4]), the freezer will work harder to maintain a lower temperature. There is no need to run the appliance on this setting for long periods and you should return the thermostat knob to between [2] and [3].**

## During First Use

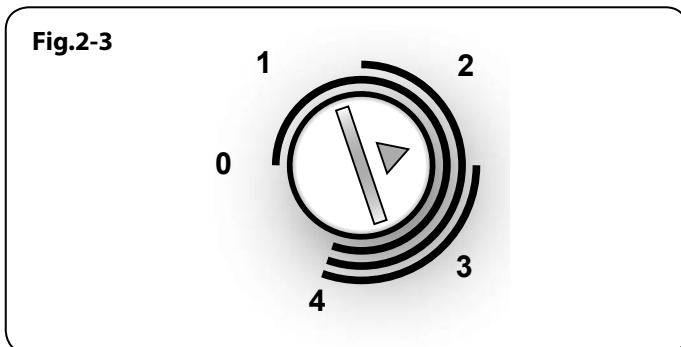
Switch on the appliance for the first time, and set the thermostat dial to maximum for 24 hours.

When you first switch on the appliance, the compressor will run continuously for approximately 24 hours or until the freezer reaches a cool enough temperature.

**Note:** During this time, try not to open the door frequently or place a large amount of food within the appliance.

You should then adjust the thermostat dial down to its normal operating position.

If the unit is switched off or unplugged, allow at least 5 minutes before restarting the appliance on the thermostat or connecting it to your mains supply.



## Freezing Fresh Food

To freeze the maximum quantity of fresh food specified above, turn the thermostat knob to position [4] 24 hours before attempting freezing (**Fig.2-4**).

For smaller quantities of fresh food, turn the thermostat knob to position [4] approximately 6 hours before attempting freezing.

Alternatively, you can use the Fast Freeze option (see the 'Freezing with fast freeze' section).

Fresh food should be packed into airtight containers or packaging. This will help to make sure that the food does not dry out or lose its flavour. It will also make sure that flavour does not transfer from other foods.

DO NOT allow fresh food to touch items that are already frozen.

After 24 hours check that the fresh food is satisfactorily frozen. If it is, then turn down the thermostat to its normal setting (between [2] and [3]).

## Freezing with Fast Freeze

Press the Fast Freeze switch (**Fig.2-5**) and the freezer will start to run continuously at its maximum setting. The orange Fast Freeze light will come on.

There is no need to adjust the thermostat knob.

The freezer temperature will decrease and the appliance will get to its lowest temperature.

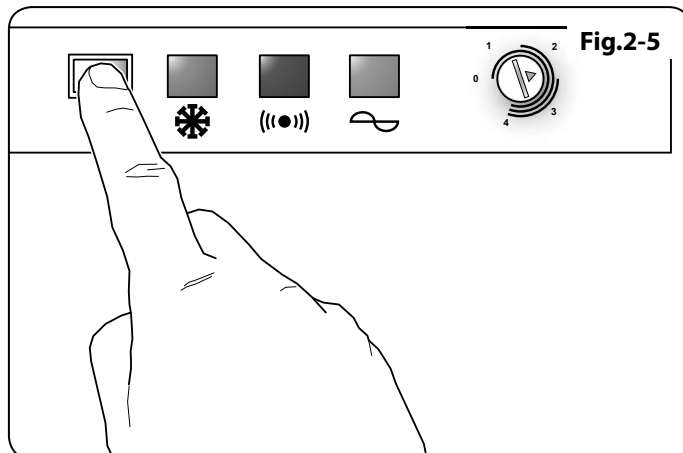
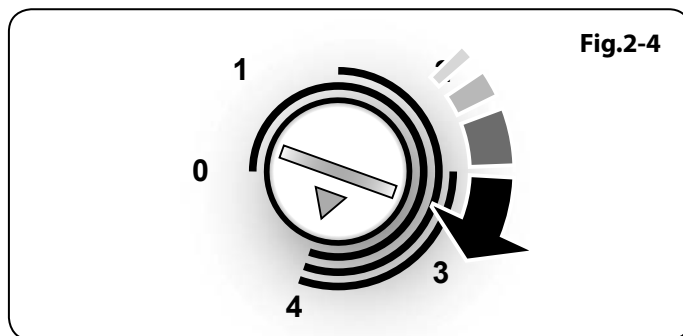
Place the food that is to be frozen inside the freezer.

Once the food is frozen, switch off the fast freeze setting.

**⚠ DO NOT switch off the Fast Freeze setting until the food is fully frozen.**

The orange fast freeze light will go out and your appliance will return to normal operation.

**⚠ DO NOT leave the appliance running in Fast Freeze mode for longer than 24-hours at a time.**



## 3. Food Storage Tips

---

### Tips on Freezing Food

- As with storing fresh foods, suitable packaging, correct temperature and food hygiene will enhance the quality of the food you are freezing.
  - Avoid putting hot foods into the freezer. First let them cool until they reach room temperature.
  - Make sure that all foods for freezing are of a high quality, and suitable for freezing.
  - Use packaging material that is odourless and airproof (such as plastic bags) to store food in so different foods can be mixed without affecting the quality. Make sure that it is airtight. Leaking packaging will dehydrate the products and lead to loss of beneficial vitamins.
  - Keep the surface of the packaging dry: this keeps the packs from freezing together.
  - Mark packages with the kind of food contained and the date of storage.
  - Food needs to be frozen quickly, so it is best to freeze small portions whenever possible and to make sure that they are as cold as possible before storage. The recommended maximum weight for each portion is 2.5 kg.
  - Keep food which is fresh away from food which is already frozen, if you need to freeze fresh food every day, make sure that it is in small portions to prevent this.
  - Do not exceed the maximum load for freezing, which is given as 9 kg / 24-hours (see data badge for details).
  - Write the expiry date and food names on the outside of the packaging so you can be assured of the food type and when it is safe to eat.
  - Take food from the freezer to defrost when needed. Defrosted food cannot be refrozen unless it is cooked.
  - Do not put too much fresh food into the freezer at once. This could go beyond the freezer's cooling capacity (see *'Technical Data'*).
- When storing commercially frozen foods, please follow these guidelines:
  - Always follow manufacturers' guidelines for the length of time you should store food for. Do not exceed these guidelines!
  - Try to keep the length of time between purchase and storage as short as possible to preserve food quality.
  - Buy frozen foods, which have been stored at a temperature of  $-18^{\circ}\text{C}$  or below.
  - Avoid buying food which has ice or frost on the packaging. This indicates that the products might have been partially defrosted and refrozen at some point: temperature rises affect the quality of food.
  - Should there be a power cut or the freezer fails for any length of time, you may need to remove food from the freezer and store in a cold, hygienic place (i.e. garage or outhouse area) until the power is restored or the appliance is repaired.

To prevent undue temperature rises, you should wrap the foods in layers of insulating material, such as newspaper, to help to maintain their temperature. It is also important that any food affected by this situation should be either consumed or cooked and refrozen (where suitable) soon afterwards in order to prevent health risks.

Layers of newspaper can also be used to help keep foods cold while you are defrosting the freezer (see *'Cleaning and Maintenance'*).



## 4. Installation

### Positioning Your Appliance

**IMPORTANT:** We recommend that two people install this appliance.

### Choosing the Right Location

The appliance should be installed in a location where the ambient temperature corresponds with the climate classification as stated on the rating plate.

Your appliance may not function correctly if the ambient temperature falls outside of the following ranges.

Climate classification	Appropriate ambient temperature
SN	+10 to +32 °C
N	+16 to +32 °C

Avoid exposing the appliance to direct sunlight and sources of heat (such as radiators, heaters or cookers).

Make sure the appliance is installed with the correct ventilation requirements. Restricting ventilation can increase the energy consumption by 15%.

The door should be able to open completely and freely.

Locate the appliance so you can easily access the food that is stored in it.

Make sure there is an electrical socket available which will be accessible after your appliance is installed.

**Fig.4-1** shows the minimum opening requirements.

If this appliance is situated in a cold environment (such as a shed, outhouse or garage) it will affect its performance. You may find that the performance of the appliance is not consistent and this may damage foods. **A consistent ambient temperature of 10 °C or above is recommended.**

### Reversing the Door

As supplied, the appliance door opens from the left. The door can be reversed so that it opens from the right.

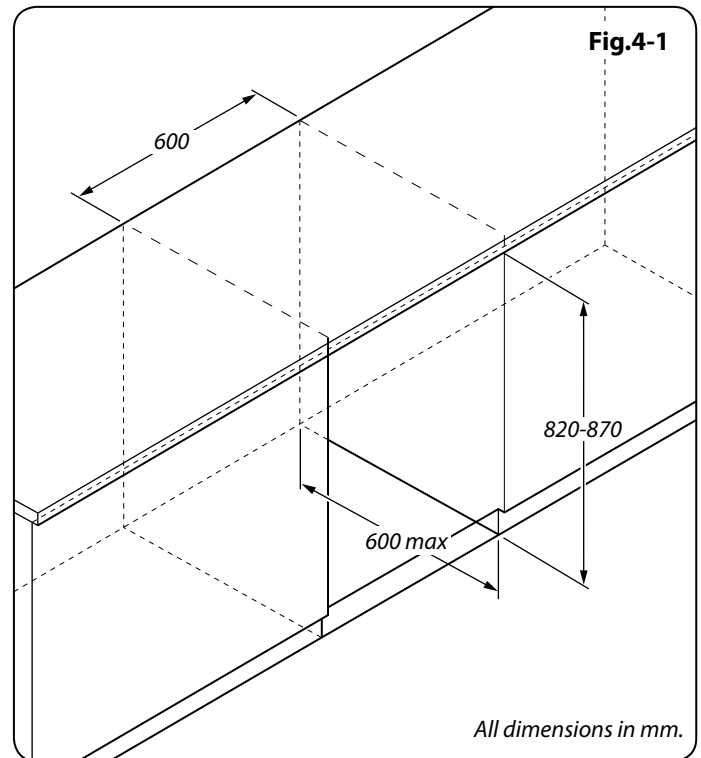
**⚠ This procedure MUST be completed before the furniture door is attached.**

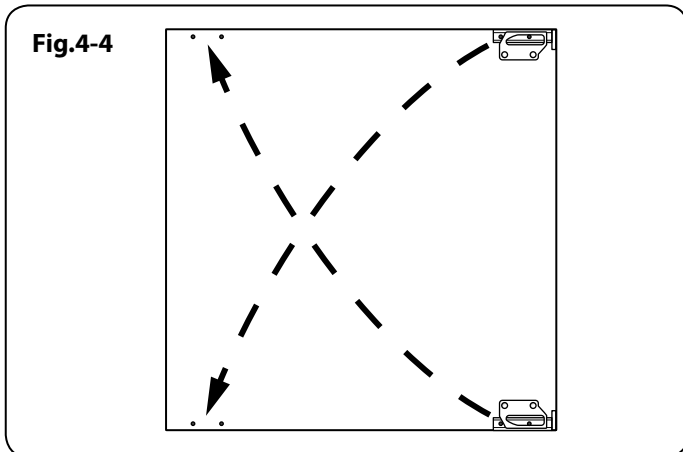
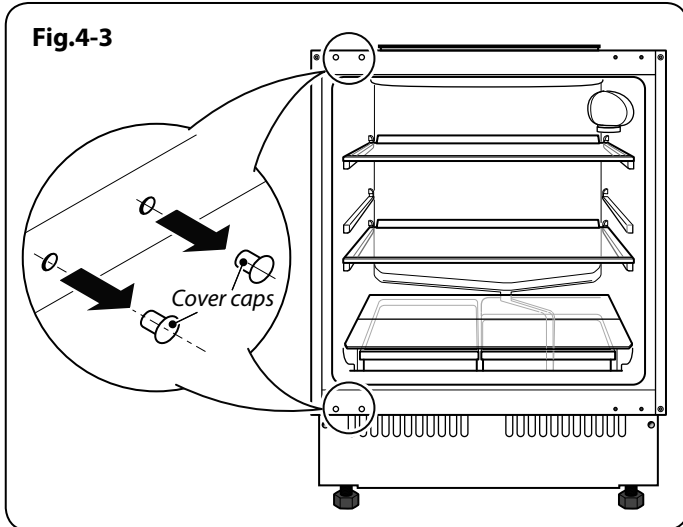
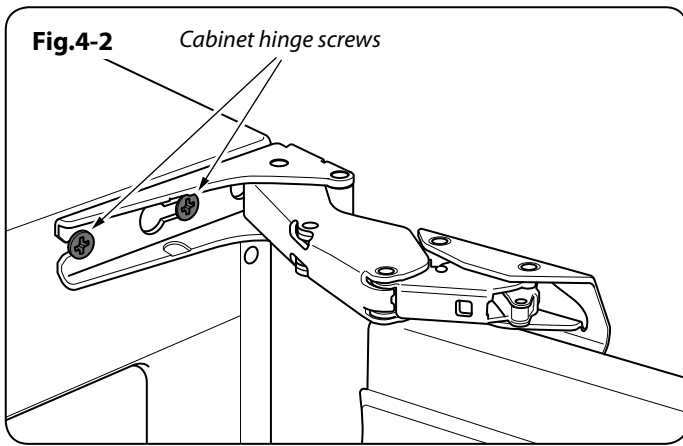
When reversing the door, keep any parts that you remove from the appliance for later use.

**⚠ Take care when opening the hinges, they are sprung loaded and there is the risk of injury if they close on your hand.**

#### Tools required:

- Phillips screwdriver
- Flat bladed screwdriver





### Procedure

1. Loosen the cabinet hinge screws and carefully slide the door off (**Fig.4-2**). To stop the door from being damaged, place it on a cushioned surface.
2. Lever off the cover caps on the left-hand side of the appliance cabinet (**Fig.4-3**).
3. Remove the door hinge screws and refit to the left-hand side of the cabinet. These screws should only be partially tightened.
4. Undo the door hinge screws and remove the hinges.
5. Reverse the position of the top and bottom hinges and fit them to the left-hand side of the door (**Fig.4-4**). Secure in place using the door hinge screws.
6. Slide the door onto cabinet hinge screws. Tighten the screws to secure.
7. Insert the cover caps into the holes on the right-hand side of the cabinet.

**IMPORTANT:** After you have completed reversing the door, check that the door opens and shuts correctly without fouling.

You should also check the door seal of the appliance. The seal should not be creased or crushed; otherwise there will be a gap between it and the inside of the door.

The seal must adhere properly all the way around the door.

If the seal is not adhering to the cabinet properly, then you should either:

- A. Use a warm damp cloth and manipulate the seal until it does adhere to the cabinet properly, all the way around the door, or
- B. Use a hair dryer on its lowest heat setting and lightly heat the areas of the door seal that are not adhering correctly. The heat will make the seal more pliable and this will allow you to manipulate the seal into the correct position.

**IMPORTANT:** DO NOT heat the door seal on anything but the lowest heat setting or heat the seal for a long period of time, otherwise you may damage the door seal, which would NOT be repaired under the guarantee free of charge.

The appliance must be stood on a level floor. You can use the levelling feet to take into account any minor unevenness in the floor.

## Adjusting the Feet

Make sure that the appliance is on solid level flooring. If the refrigerator is placed on a plinth, flat, strong and fire resistant materials must be used.

This fridge has front adjustable feet, which can be used to level the appliance.

To access the levelling feet, first undo the screws on each side of the grid (**Fig.4-5**). Remove the grid.

Using a suitable spanner, adjust the feet. Turn the spanner clockwise to raise the feet and counter-clockwise to lower the feet (**Fig.4-6**).

The appliance should be flush with the underside of the worktop and be level.

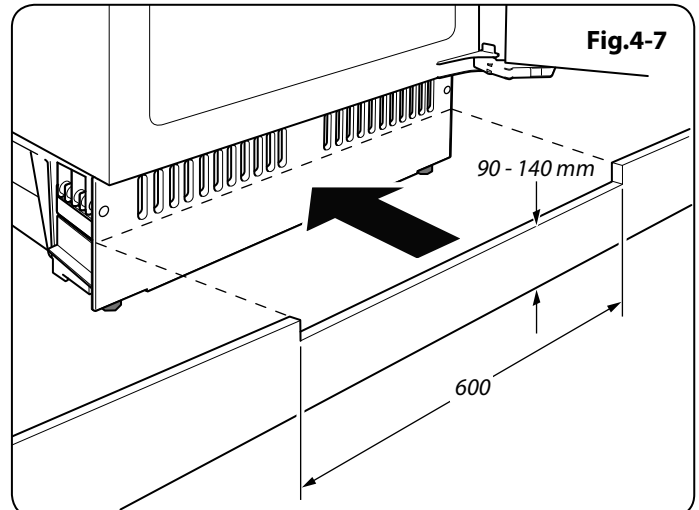
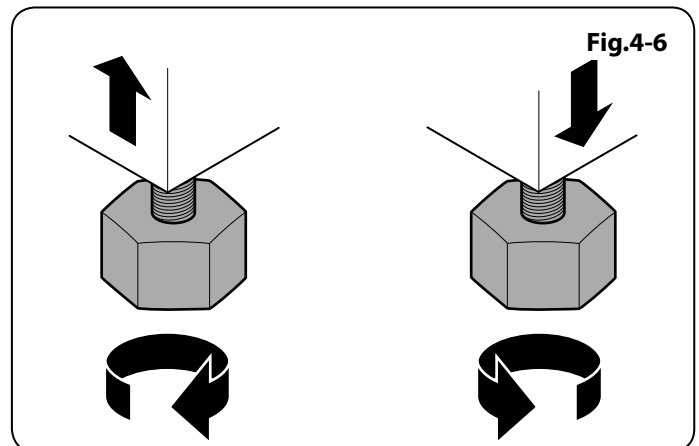
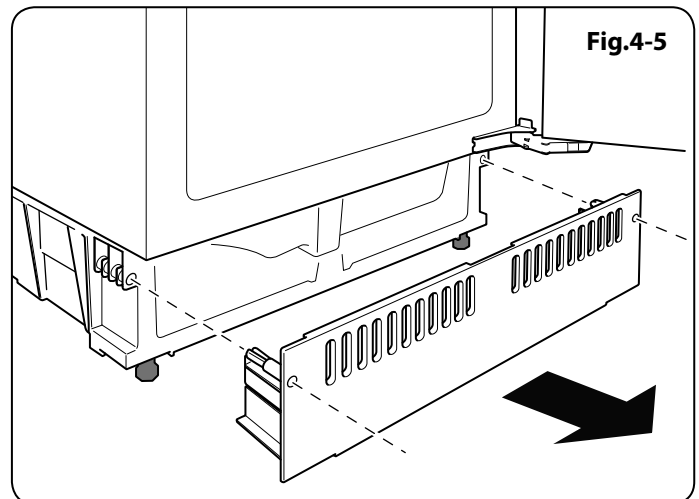
**IMPORTANT:** If the appliance is not level, then the door and door seal may be affected.

Refit the grid and secure in place.

## Fitting the Plinth

You may decide to attach a plinth to match your existing kitchen units.

Cut clearance in the plinth for ventilation (**Fig.4-7**) and then fit.



## Fitting the Furniture Door

If you need the door to open from the other side, then reverse the door before fitting the furniture door (see 'Reversing the door').

### Tools required:

- Tape measure
- Sharp pencil
- Small flat bladed screwdriver
- Spanner

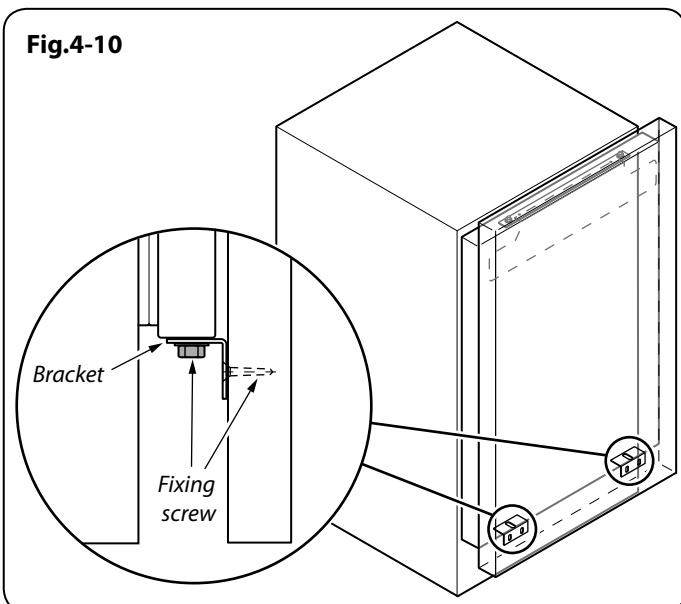
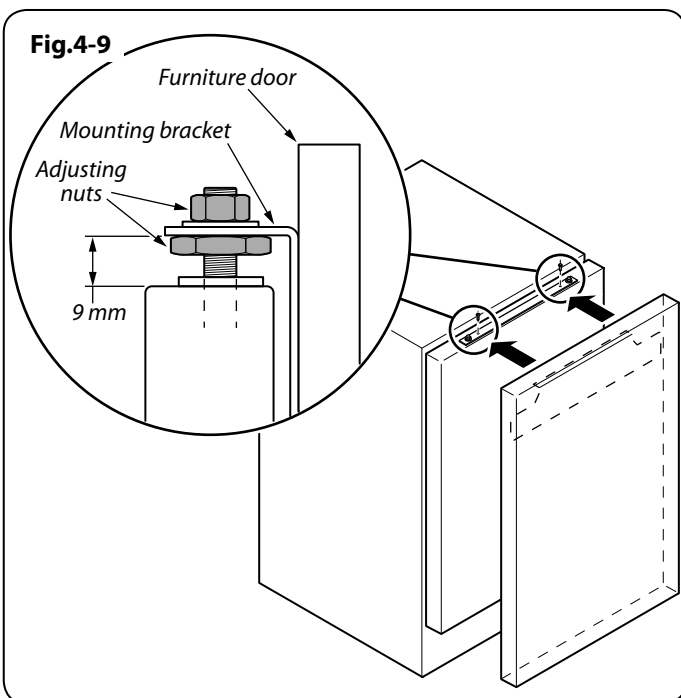
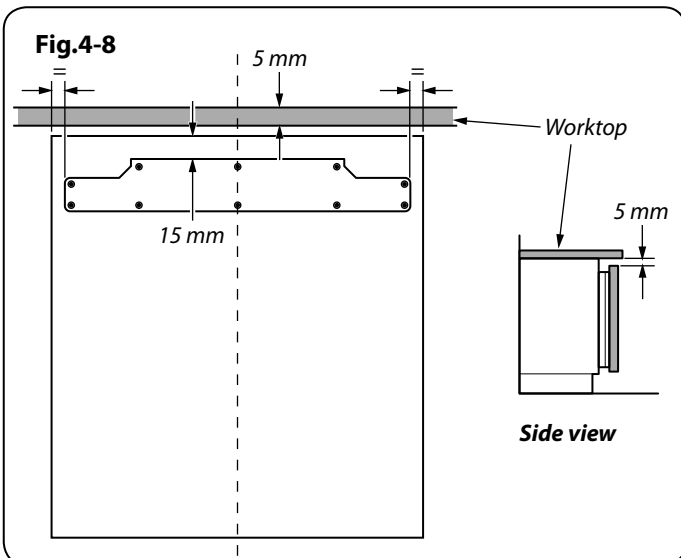
### Procedure

1. Undo the 2 screws from the mounting bracket. Remove the bracket.
2. Measure the width of the furniture door. At the halfway point mark a line vertically down the inner surface of the furniture door. You should draw the line from the top of the furniture door to approximately halfway down.
3. Place the mounting bracket on the reverse of the furniture door (**Fig.4-8**). The middle of the mounting bracket should be positioned on the line that you have just drawn.

Please note the position of the mounting bracket in the drawing – make sure that you have the mounting bracket the correct way up.

The top of the mounting bracket should be positioned approximately 15 mm from the top of the furniture door. This will allow a 5 mm gap from the top of the furniture door to the underneath of the worktop.

4. Mark the position of the 10 fixing points in the bracket. Using the screws supplied, fix the mounting bracket to the furniture door. Fully tighten the screws.
5. Hang the furniture door onto the appliance door and using the screws supplied, secure in place (**Fig.4-9**). Use a suitable spanner to adjust the gap on the lower section of the adjusting bolts. The gap should be set to approximately 9 mm.
6. Fix the lower bracket to the bottom of the furniture door and the underneath of the appliance door (**Fig.4-10**).
7. It is possible to make minor adjustments to the position of the furniture door using the screws on the top and the bottom of the appliance door. Adjust the door so that it is level.
8. Insert the cover trim to the top of the appliance – this will slide into the slot in the mounting bracket (**Fig.4-11**).



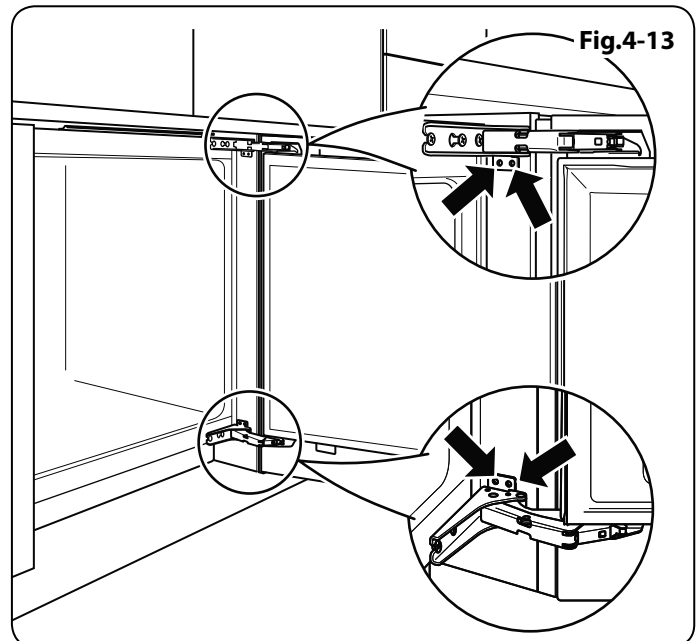
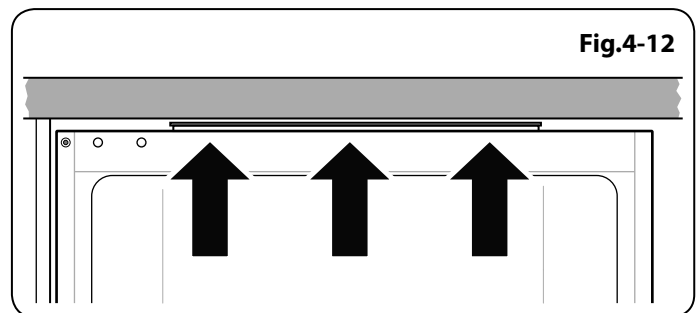
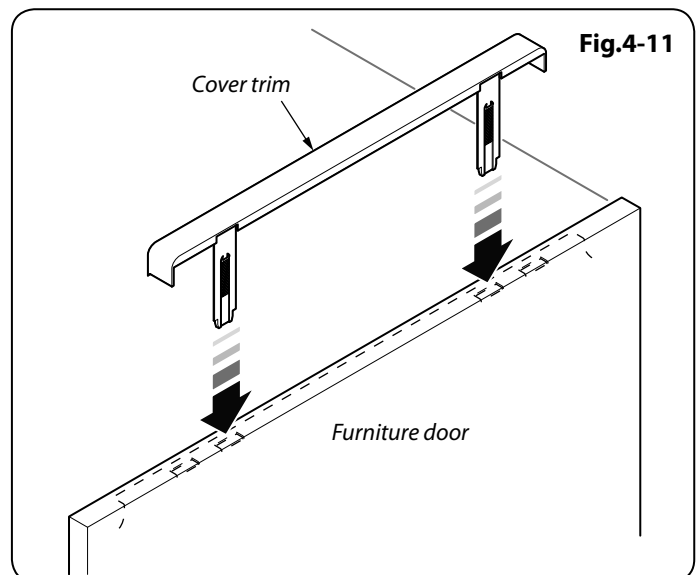
## Securing the appliance in position

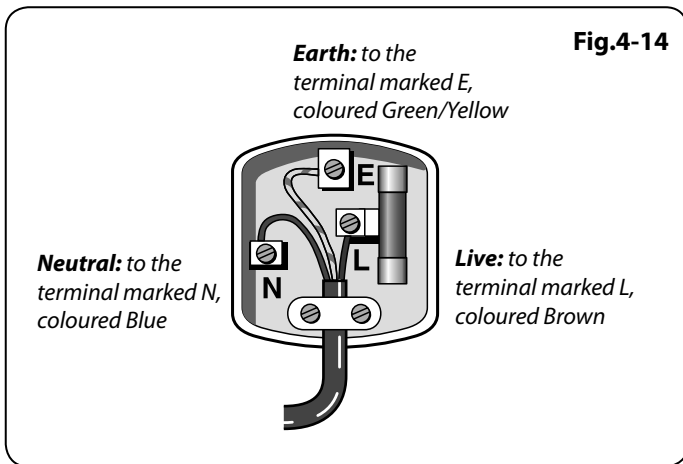
1. Open the appliance door.
2. Using a suitably sized drill bit, drill through the three holes in the bracket into the worktop (**Fig.4-12**).  
**IMPORTANT:** Use a drill bit suitable for the worktop material.
3. Using the screws supplied, fix the bracket to the underside of the worktop. Fully tighten the screws.
4. Check that the door opens and shuts without snagging. Check that the door seals correctly.

### Alternative method of securing

If your worktop is unsuitable for fixing in this manner, there are 2 securing points in each hinge bracket (**Fig.4-13**).

Using the screws supplied, fix the appliance to the adjoining cabinet.





## Electrical Supply Connection

**⚠ Your refrigerator is intended as a permanent installation.**

Connect the appliance to the electrical supply (220–240V ~ 50 Hz) with the plug and lead, which are fitted.

Connections to the mains supply should be in accordance with local regulations.

**⚠ WARNING: THIS APPLIANCE MUST BE EARTHED**

All external wiring must comply with the IEE Regulations for the Electrical Equipment of Buildings. The appliance is supplied with a 3-core cable 2 m long. If a replacement cable is fitted it must be 250V high temperature PVC (85 °C), 1 mm<sup>2</sup>.

Should the plug not fit the socket in your home, it should be removed and replaced with a suitable plug.

**Note:** If the plug is fitted is not suitable, it must be cut off and disposed of properly. To avoid the risk of electrocution, the plug must not be left where children might find it and plug it into a supply socket.

Three pin plugs to BS 1363 with a capacity of not less than 13 A must be used and fitted with a 13 amp fuse 'ASTA' approved to BS 1362.

You **MUST** refit the cover after replacing the fuse. If the cover is lost, the plug **MUST NOT** be used until a replacement cover has been obtained from your supplier. The colour of the correct fuse carrier is that of the coloured insert in the base of the fuse recess, or stated elsewhere on the plug. Always state this colour when ordering a replacement fuse carrier.

**IMPORTANT:** The wires in the mains lead are coloured in accordance with the following code (Fig.4-14):

<b>Green and yellow:</b>	<b>EARTH</b>
<b>Blue:</b>	<b>NEUTRAL</b>
<b>Brown:</b>	<b>LIVE</b>

## 5. Cleaning and Maintenance

### Cleaning

**⚠ DO NOT disconnect the appliance from the power supply before cleaning.**

To maintain a high performance level, occasionally clean the condenser coils at the back of the appliance.

Defrost the appliance regularly. A build up of thick ice decreases the efficiency of the appliance. You should defrost whenever the frost reaches 5 mm thickness.

To keep internal odours to a minimum it is best to periodically clean the compartment.

Clean the interior using warm water and bicarbonate of soda with a soft cloth. Make sure that the interior is then dried carefully with a suitable cloth.

**⚠ DO NOT use harsh abrasives, or aggressive cleaners as these can damage the interior of the appliance.**

Shelves and other accessories can be cleaned in the sink using liquid dishwashing liquid and warm water. Make sure all soap is rinsed off and all parts are dry before replacing them inside the appliance. **DO NOT clean them in a dishwasher.**

Always keep the door seals clean. Clean the door gasket with warm water or a neutral detergent that leaves no residue. A tight-sealing door gasket is critical to the efficiency of your appliance.

**⚠ DO NOT spray or rinse the freezer with water or other liquids. This could harm the electrical parts.**

**⚠ Use a dry cloth when cleaning near the electrical parts.**

**⚠ DO NOT clean the freezer with a stiff or wire brush.**

**⚠ DO NOT use an organic solvent such as detergent, petrol, lacquer, thinners, acetone or acid.**

**⚠ To prevent your skin sticking to cold steel parts, make sure your hands are not wet when touching the parts.**

### Defrosting

The frost in the freezer compartment should be removed periodically. Use a plastic scraper to keep down the amount of frost that builds up.

**IMPORTANT: The freezer should be defrosted at least twice a year. The number of times that you need to defrost it will depend on the setting of your thermostat and how much food you freeze and store in the freezer.**

The day before you defrost, turn the thermostat dial to position [4]. This will make sure that the food contained in the freezer is frozen properly.

While defrosting the appliance, remove the food from the freezer, wrap it in several layers of paper and store it in a cool place. The temperature rise in foods will shorten its storage life, so the food should be used within a relatively short time.

**⚠ DO NOT place food back in the freezer once it has started to thaw.**

Set the thermostat knob to position [0] and disconnect the appliance from your mains supply.

Leave the door to the freezer open. You can place a bowl of warm water inside the freezer to speed up the defrost process.

Use a sponge to mop up the defrost water that will run into the bottom of the freezer.

**IMPORTANT: You should place some old towels on the flooring that is immediately in front of the appliance. In case any defrost water comes out of the freezer and onto the floor.**

Once all the ice has melted, thoroughly dry the inside of the freezer.

**IMPORTANT: If the inside of the freezer is not dry, then there will be an immediate build-up of ice when the appliance is switched back on.**

With dry hands, reconnect the appliance to the mains supply. Set the thermostat knob to position [4] for 24-hours, before returning it to the normal setting of between [2] and [3].

**⚠ DO NOT attempt to freeze fresh food inside the freezer until after the 24-hours.**

**⚠ DO NOT use sharp metal objects to remove the ice on the freezer, as this could cause damage to the refrigerant system.**

**⚠ DO NOT use mechanical devices (such as hair dryers) to accelerate the defrosting process.**

### When Not in Use

If you are not using the appliance for an extended length of time, it is recommended that you switch off the electrical supply, empty any food out, clean the inside of the appliance and leave the door ajar.

This will save energy, and also prevent a build up of stale odours inside.

## 6. Troubleshooting

**IMPORTANT:** If your freezer appears not to be operating properly, before contacting Consumer Services, please refer to the checklist below.

<b><i>My freezer does not appear to be working / there is no power to my appliance</i></b>
<ul style="list-style-type: none"> <li>• Check that the plug is fully inserted into the power socket.</li> </ul>
<ul style="list-style-type: none"> <li>• Check that there is power to your mains supply (e.g. that there has not been a power cut or that the fuse has not blown).</li> </ul>
<ul style="list-style-type: none"> <li>• Check that the thermostat inside the appliance has not been turned to the [0] position.</li> </ul>
<ul style="list-style-type: none"> <li>• Check that your mains supply voltage, corresponds to the voltage stated on the rating plate of your appliance.</li> </ul>
<b><i>My freezer appears to be performing poorly</i></b>
<ul style="list-style-type: none"> <li>• Check that the appliance is not overloaded and that food has not been packed too tightly into it.</li> </ul>
<ul style="list-style-type: none"> <li>• The thermostat setting is too low: you should turn the thermostat up higher.</li> </ul>
<ul style="list-style-type: none"> <li>• Make sure that the door is closing properly and that the door has not been opened for a long period in error.</li> </ul>
<ul style="list-style-type: none"> <li>• Make sure that there is sufficient ventilation for your appliance.</li> </ul>
<b><i>My freezer is noisy</i></b>
<ul style="list-style-type: none"> <li>• The refrigerant gas that circulates the pipework of the appliance may make a slight noise, even if the compressor is not running.</li> </ul>
<ul style="list-style-type: none"> <li>• If the noise worsens or the appliance gets louder than normal check that it is levelled off correctly, that nothing is touching the rear of the freezer and that nothing placed inside the appliance is rattling.</li> </ul>
<b><i>Ice has formed on the inner back wall of my freezer</i></b>
<ul style="list-style-type: none"> <li>• Check that food has not been pushed too far back inside the appliance, so that it is in contact with the inner back wall.</li> </ul>

**IMPORTANT:** If your appliance appears not to be operating correctly, then you should disconnect it from your mains supply and then contact Consumer Services.

**⚠ DO NOT ATTEMPT TO REPAIR THE APPLIANCE YOURSELF.**

**Please note that if an engineer is asked to attend while the product is under guarantee and finds that the problem is not the result of an appliance fault, then you may be liable for the cost of the call out charge.**

**The appliance must be accessible for the engineer to perform any necessary repair. If your appliance is installed in such a way that an engineer is concerned that damage will be caused to the appliance or your kitchen, then he will not complete a repair.**

**This includes situations where appliances have been tiled in, sealed in with sealant or any installation other than the one specified by has been completed.**

**Please refer to the conditions of guarantee that appear on the warranty card that you receive with the appliance.**



## 7. Warranty/After Sales Service

---

If consultation or technical assistance is needed, please provide the local authorised service agent with the purchase invoice and the product code/serial number.

The product number/serial number is located inside the refrigerator on the top left-hand side.

The 2 years free maintenance for the operation of the appliance started from the date of purchase of this product.

Any cosmetic damage to the appliance must be reported within 90 days of delivery.

For in-warranty service please call: **0845 6035312**.

For general enquiries please call: **0870 7895107**.

## 8. Technical Data

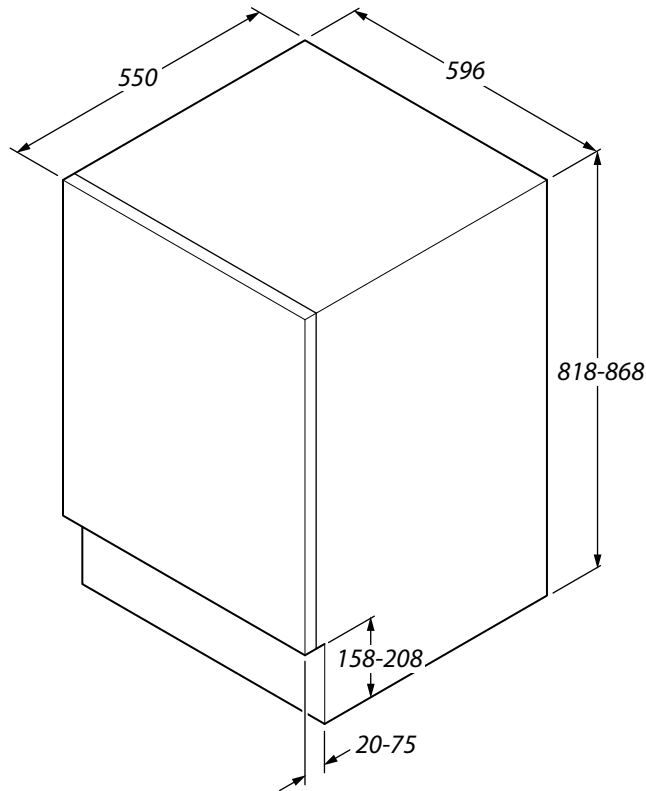
**INSTALLER:** Please leave these instructions with the user.

**DATA BADGE LOCATION:** Front left-hand side of the freezer compartment.

**COUNTRY OF DESTINATION:** GB/IE

### Dimensions

All dimensions in mm.



### Ratings

<b>Electrical – voltage/frequency</b>	220–240V / 50 Hz
<b>Energy efficiency class</b> on a scale of A (more efficient) to G (less efficient)	A
<b>Climate class</b> (SN = 10–32 °C, N = 16–32 °C, ST = 18–38 °C, T = 18–43 °C)	N
<b>Freezer compartment star rating</b>	*/***
<b>Temperature range</b> (from > to)	< –18 °C
<b>Gross capacity</b>	108 litres
<b>Net capacity</b>	91 litres
<b>Freezer capacity / 24 hours</b>	9 kg / 24 hours
<b>Energy consumption / year</b>	208 kWh / year
<b>Energy consumption (EN153)</b>	0.57 kWh / 24 hours
<b>Max noise level</b>	45 dB(A)
<b>Maximum storage time by power failure</b>	5 hours



## **AGA RANGEmaster**

Clarence Street, Royal Leamington Spa,  
Warwickshire, CV31 2AD, England.  
Tel: +44 (0) 1926 457400 Fax: +44 (0) 1926 450526  
E-mail: [consumers@rangemaster.co.uk](mailto:consumers@rangemaster.co.uk)



[www.rangemaster.co.uk](http://www.rangemaster.co.uk)

## Free Manuals Download Website

<http://myh66.com>

<http://usermanuals.us>

<http://www.somanuals.com>

<http://www.4manuals.cc>

<http://www.manual-lib.com>

<http://www.404manual.com>

<http://www.luxmanual.com>

<http://aubethermostatmanual.com>

Golf course search by state

<http://golfingnear.com>

Email search by domain

<http://emailbydomain.com>

Auto manuals search

<http://auto.somanuals.com>

TV manuals search

<http://tv.somanuals.com>