



# CS-PENT

## CompuSwitch® PENT



### User Guide

### Release 1.0

Copyright © 2006 Raritan Computer, Inc.

CSP-0A-E

August 2006

P/N

---

*This page intentionally left blank.*

---

## Copyright and Trademark Information

This document contains proprietary information that is protected by copyright. All rights reserved. No part of this document may be photocopied, reproduced, or translated into another language without express prior written consent of Raritan Computer, Inc.

© Copyright 2006 Raritan, CompuSwitch, Paragon, MasterConsole, and the Raritan company logo are trademarks or registered trademarks of Raritan Computer, Inc. All rights reserved. Java is a registered trademark of Sun Microsystems, Inc. Internet Explorer is a registered trademark of Microsoft Corporation. Netscape and Netscape Navigator are registered trademarks of Netscape Communication Corporation. PS/2, PC/AT, RS/6000, and PC/AT are registered trademarks of International Business Machines Corporation. All other marks are the property of their respective owners.

## FCC Information

This equipment has been tested and found to comply with the limits for a Class A digital device, pursuant to Part 15 of the FCC Rules. These limits are designed to provide reasonable protection against harmful interference in a commercial installation. This equipment generates, uses, and can radiate radio frequency energy and if not installed and used in accordance with the instructions, may cause harmful interference to radio communications. Operation of this equipment in a residential environment may cause harmful interference.

## Japanese Approvals

この装置は、情報処理装置等電波障害自主規制協議会（VCCI）の基準に基づくクラスA情報技術装置です。この装置を家庭環境で使用すると電波妨害を引き起こすことがあります。この場合には使用者が適切な対策を講ずるよう要求されることがあります。

Raritan is not responsible for damage to this product resulting from accident, disaster, misuse, abuse, non-Raritan modification of the product, or other events outside of Raritan's reasonable control or not arising under normal operating conditions.



*For assistance in the North or South America, please contact the Raritan Technical Support Team by telephone (732) 764-8886, by fax (732) 764-8887, or by e-mail [tech@raritan.com](mailto:tech@raritan.com). Ask for Technical Support – Monday through Friday, 8:00 a.m. to 8:00 p.m., Eastern.*

*For assistance around the world, please see the back cover of this guide for regional Raritan contact information.*

---

## Safety Guidelines

To avoid potentially fatal shock hazard and possible damage to Raritan equipment:

- Do not use a 2-wire power cord in any product configuration.
- Test AC outlets at your computer and monitor for proper polarity and grounding.
- Use only with grounded outlets at both the computer and monitor. When using a backup UPS, power the computer, monitor and appliance off the supply.

## Rack Mount Safety Guidelines

In Raritan products which require Rack Mounting, please follow these precautions:

- Operation temperature in a closed rack environment may be greater than room temperature. Do not exceed the rated maximum ambient temperature of the appliances (see **Appendix A: Specifications**).
- Ensure sufficient airflow through the rack environment.
- Mount equipment in the rack carefully to avoid uneven mechanical loading.
- Connect equipment to the supply circuit carefully to avoid overloading circuits.
- Ground all equipment properly, especially supply connections, such as power strips (other than direct connections), to the branch circuit.

# Contents

Chapter 1: Introduction .....	1
Product Overview.....	1
Product Photos.....	1
Product Features.....	2
Package Contents.....	2
Chapter 2: Installation.....	3
Initial Configuration .....	3
Installation Notes.....	4
Chapter 3: Operation .....	5
Overview .....	5
Front Panels.....	5
Front Panel Operation.....	6
Select a Channel .....	6
Scan Channels .....	6
Set Scan Rate .....	6
Skip.....	6
Appendix A: Specifications .....	7
Desktop Models .....	7
Power .....	7
Cables.....	8
Accessories.....	8
Important Information for CompuSwitch Installation.....	8
Appendix B: Troubleshooting .....	9
Appendix C: Cable Support Bracket Kits.....	11
RCS24 to CS-PENT 2/CS-PENT 4 .....	11
RCS8 to CS-PENT 8.....	12

# Figures

Figure 1 CS-PENT 2 Unit..... 1  
Figure 2 CS-PENT 4 Unit..... 1  
Figure 3 CS-PENT 8 Unit..... 1  
Figure 4 Rear Panel of CS-PENT 2 Unit..... 3  
Figure 5 Rear Panel of CS-PENT 4 Unit..... 3  
Figure 6 Rear Panel of CS-PENT 8 Unit..... 3  
Figure 7 Cabling Details..... 4  
Figure 8 Front panel of CS-PENT 2 Unit..... 5  
Figure 9 Front Panel of CS-PENT 4 Unit ..... 5  
Figure 10 Exploded View of Scan Rates from the CS-PENT 4 Front Panel ..... 5  
Figure 11 Front Panel of CS-PENT 8 Unit ..... 5  
Figure 12. RCS24 to CS-PENT 2/CS-PENT 4 Installation..... 11  
Figure 13. RCS8 to CS-PENT 8 Installation..... 12

# Chapter 1: Introduction

## Product Overview

Congratulations on your purchase of Raritan's CompuSwitch-PENT, which enables efficient control of multiple computers, any combination of PC/ATs, and PS/2s, from only one keyboard, monitor, and mouse. The 8-channel model connects and controls up to 8 computers, the 4-channel model connects and controls up to 4 computers, and the 2-channel model connects and controls 2 computers.

CompuSwitch-PENT is built with Raritan's unique intelligent emulation technology, which dedicates an individual processor to each connected computer so that each computer always sees its own keyboard and mouse. This prevents keyboard and mouse lockups and ensures flawless bootup and operation of any mix of computers running any operating system.

## Product Photos



Figure 1 CS-PENT 2 Unit



Figure 2 CS-PENT 4 Unit



Figure 3 CS-PENT 8 Unit

## Product Features

- Dedicated keyboard and mouse emulators to ensure automatic booting and proper operation of each computer
- VGA, SVGA, and XGA high resolution video support
- Simple operation either from the CompuSwitch-PENT front panel
- SCAN function to automatically cycle through all channels at a selectable scan rate from 1 to 16 seconds by using push buttons on the front panel
- SKIP function to automatically bypass channels without a powered computer connected
- Easy-to-manage, tangle-proof, high-resolution PC cables

## Package Contents

- (1) CompuSwitch-PENT unit



## Chapter 2: Installation

### Initial Configuration

Begin by connecting one computer, and once proper operation is confirmed, proceed to connecting any additional computers.

---

Important: Make certain all computers are powered OFF before starting installation.

---

1. Plug the monitor, keyboard, and PS/2 mouse into the ports marked **VGA MONITOR**, **PS/2** or **AT KEYBOARD**, and **PS/2 MOUSE** on the CompuSwitch-PENT rear panel.

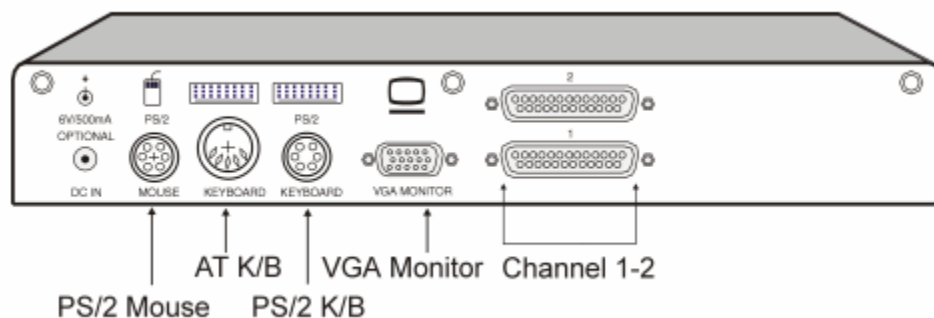


Figure 4 Rear Panel of CS-PENT 2 Unit

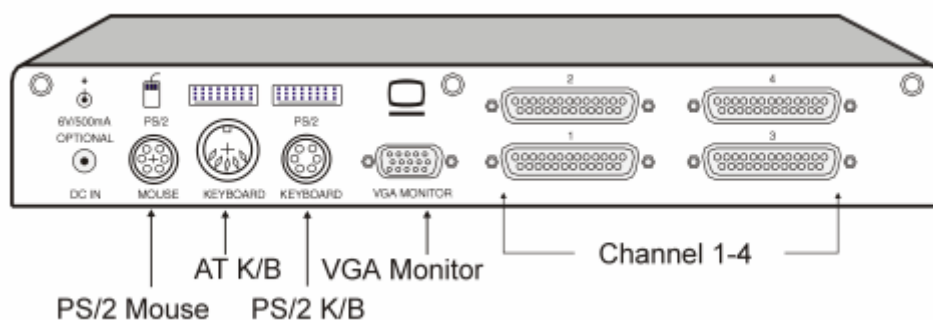


Figure 5 Rear Panel of CS-PENT 4 Unit

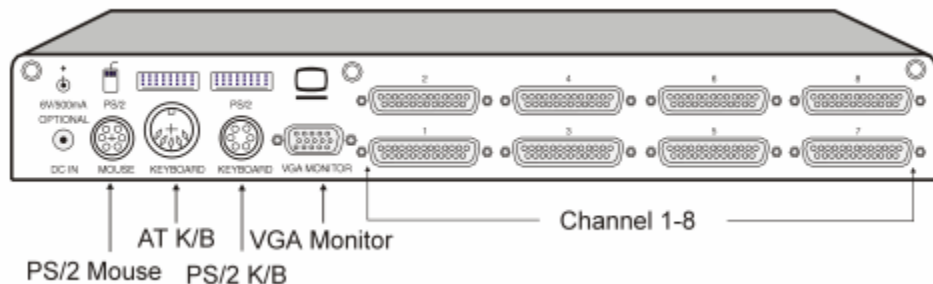


Figure 6 Rear Panel of CS-PENT 8 Unit

2. Using the appropriate CompuSwitch cable, connect one PC's 25-pin connector to any channel on the CompuSwitch rear panel.
3. Plug the cable's video, keyboard, and mouse connectors into the computer ports.

- Power ON the connected computer. On the CS-PENT front panel, the light above the **[SKIP]** button will be ON, and the light above the connected channel button number will also be ON, indicating that CS-PENT is powered ON.

---

*Note: CS-PENT is automatically powered ON as soon as at least one connected computer is manually powered ON.*

---

- The video from the connected computer will be displayed on the monitor. When boot-up is complete, check keyboard and mouse operation. Operate the keyboard and mouse as if they were connected directly to the computer.
- After you have verified operation of one computer, connect the remaining PCs following steps 2–4. You may now begin using the CS-PENT unit.

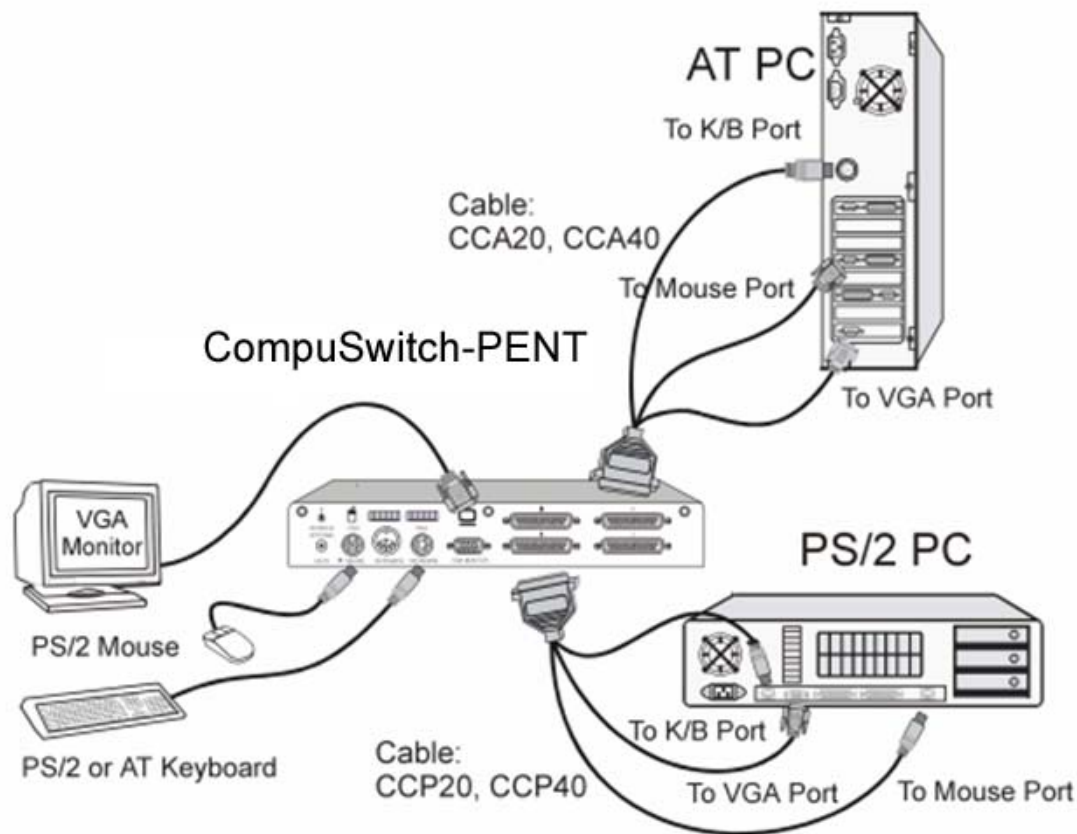


Figure 7 Cabling Details

## Installation Notes

- Connections are provided for either a 6-pin PS/2-style or a 5-pin Extended AT-style keyboard. Do not connect both keyboards simultaneously.
- You may simultaneously connect PS/2 and AT computers to CS-PENT with the appropriate cables. However, only a PS/2 mouse can be used with CS-PENT to operate the computers.

## Chapter 3: Operation

### Overview

You can operate CS-PENT using the buttons on its front panel. The lights on the front panel of the unit indicate the status of operation.

**Note:** Numbered channel buttons have two functions. When the Scan light is OFF, the buttons are used to select channels. When the Scan light is ON, the buttons are used to set scan rate.

### Front Panels

On the front panels of the different CS-PENT units, you will find that CS-PENT 2 has buttons marked 1 and 2, and a button marked [SCAN]. CS-PENT 4 has buttons marked 1 through 4, and buttons marked [SCAN] and [SKIP]. CS-PENT 8 has buttons marked 1 through 8, and buttons marked [SCAN] and [SKIP].

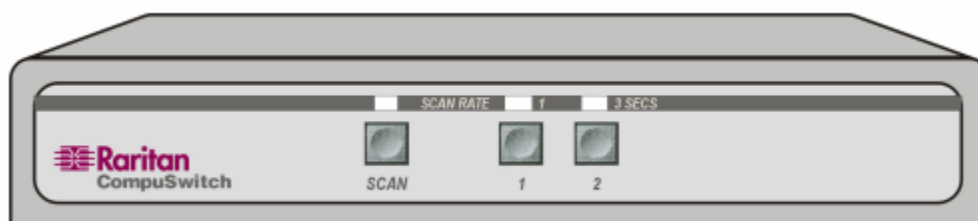


Figure 8 Front panel of CS-PENT 2 Unit

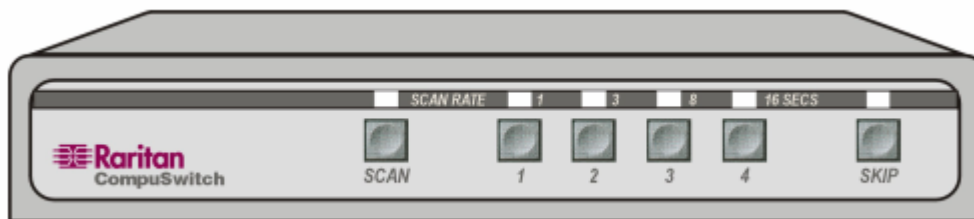


Figure 9 Front Panel of CS-PENT 4 Unit

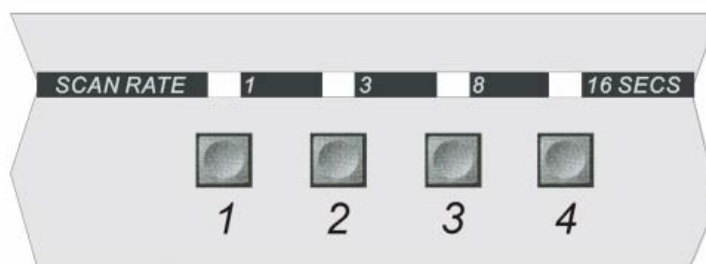


Figure 10 Exploded View of Scan Rates from the CS-PENT 4 Front Panel



Figure 11 Front Panel of CS-PENT 8 Unit

## Front Panel Operation

---

### Select a Channel

---

To select a specific computer for viewing and operation:

1. Be sure the light above the **[SCAN]** button is OFF (toggle on/off).
2. Press the button (1, 2, ...8) corresponding to the desired channel. The light above the button will be ON, and the video from the computer connected to that channel will be displayed.
3. Operate the selected computer using the keyboard and mouse.

---

### Scan Channels

---

CompuSwitch automatically cycles through the channels at a preset scan rate. The default scan rate is three seconds per channel. To display each computer's video:

1. Activate the scan function by pressing the **[SCAN]** button (toggle on/off).
2. The light above the **[SCAN]** button will illuminate, and the unit will begin scanning.

---

### Set Scan Rate

---

To adjust the scan rate interval:

1. Activate the Scan function by pressing the **[SCAN]** button (the light above **[SCAN]** will illuminate).
2. Press the channel button that corresponds to the number for your Scan rate. The light above the button will blink twice to acknowledge the setting, and scanning will continue at the new interval.

---

### Skip

---

To restrict scanning to display only active channels, that is, channels connected to computers powered ON:

1. Press the **[SKIP]** button (toggle on/off).
2. The light above the button will be ON, and only active channels will be selected.

# Appendix A: Specifications

## Desktop Models

### CS-PENT 2

2-Channel Model      10.55”(W) x 7.87”(D) x 1.75”(H)  
268mm(W) x 200mm(D) x 44mm(H)  
3.6 lbs. (1.62kg)

### CS-PENT 4

4-Channel Model      10.55”(W) x 7.87”(D) x 1.75”(H)  
268mm(W) x 200mm(D) x 44mm(H)  
3.6 lbs. (1.62kg)

### CS-PENT 8

8-Channel Model      15.40”(W) x 7.87”(D) x 1.75”(H)  
390mm(W) x 200mm(D) x 44mm(H)  
4.9 lbs. (2.24kg )

## Power

Powered by connected computer through the keyboard port:

DC Power Input = 6V/1.4 amp. Adapter (optional)

Operating Temperature = 0–50°C (32–122°F)

## Cables

For each PS/2 Computer (VGA Video, PS/2 K/B, PS/2 Mouse)

PART NO.	LENGTH	CONNECTORS
CCP20	2M/6.5ft	DB25(M) to HD15(M), 2 x mini-DIN6(M)
CCP40	4M/13ft	DB25(M) to HD15(M), 2 x mini-DIN6(M)
CCP60	6M/20ft	DB25(M) to HD15(M), 2 x mini-DIN6(M)
CCP90	9M/30ft	DB25(M) to HD15(M), 2 x mini-DIN6(M)

For each AT Computer (VGA Video, AT K/B, Serial Mouse)

PART NO.	LENGTH	CONNECTORS
CCA20	2M/6.5ft	DB25(M) to HD15(M), DIN5(M), DB9(F)
CCA40	4M/13ft	DB25(M) to HD15(M), DIN5(M), DB9(F)
CCA60	6M/20ft	DB25(M) to HD15(M), DIN5(M), DB9(F)
CCA90	9M/30ft	DB25(M) to HD15(M), DIN5(M), DB9(F)

## Accessories

DC Adapter 6V/1.4 amp. Adapter  
 A10D1-06MP X= U(USA), K(United Kingdom),  
 G(Germany, France & Netherlands),  
 A(Australia), J(Japan)

### Rack Mount Kits

RCS24 19" rack mount kit for 2/4-channel unit  
 RCS8 19" rack mount kit for 8-channel unit

## Important Information for CompuSwitch Installation

You will operate all computers connected to CompuSwitch using one keyboard and mouse plugged into CompuSwitch. There are many brands of keyboards and mice on the market, and there can be slight variations in their manufacture and operation. While most of these devices will operated satisfactorily, if you do experience any problem with either the keyboard or mouse operation, please replace it with one of the devices listed below and test again. If necessary, please contact Raritan Technical Support (732) 764-8886, M-F, 8:00-8:00 EST. We maintain a list of devices and their operational characteristics with CompuSwitch, and can make recommendations.

The following devices have been tested and operate with CompuSwitch:

Keyboard – Compaq, Gateway 2000, IBM  
 Mini Keyboard with Trackball – IBM Trackpoint, IBM M5-1, Microsoft IntelliMouse  
 Mouse – Compaq, IBM PS/2, Logitech, Microsoft V2.0A and V2.1A

## Appendix B: Troubleshooting

SYMPTOM	PROBABLE CAUSE	SOLUTION
No front panel lights	Bad connection.	Check cable connection.
	Computer not powered ON	Power ON the computer.
	Notebook computer or Guardian device	Use an external 6V 6V/1.4 amp. power adapter to power CompuSwitch. Refer to Page 11.
Channel light flashes continuously	Computer not powered ON for that channel	Power ON the computer. Activate Skip function.
No video display for one or all computers	Loose video connection(s)	Check and reconnect cables.
	Monitor problems	Turn off power to the computers. Connect the suspect monitor directly to the computer, and check for proper display. If no display, the problem is with the computer or the monitor. If display is correct, contact dealer for service.
Keyboard error on one machine	Keyboard connection	Check K/B cable connection of the computer not operating properly.
Unable to select Channel	Scan function is active	Toggle the Scan button so that the light above the button is OFF.
Keyboard does not function, or mouse locks up	Keyboard or mouse connection loose	Check keyboard or mouse connection. Power down the problem computer first. Connect the keyboard or mouse directly to the computer to determine if the problem is with the computer keyboard or mouse port. Then connect the problem computer to a different channel, and restart the computers. If problems persist, contact dealer.





## Appendix C: Cable Support Bracket Kits

### RCS24 to CS-PENT 2/CS-PENT 4

CS-PENT 2 or CS-PENT 4

Side Frame (RCS24)	2 pieces
Round head screw, M3x8mm	4 pieces
Cable Support Bracket	2 pieces
Round head screw, M3x6mm	4 pieces

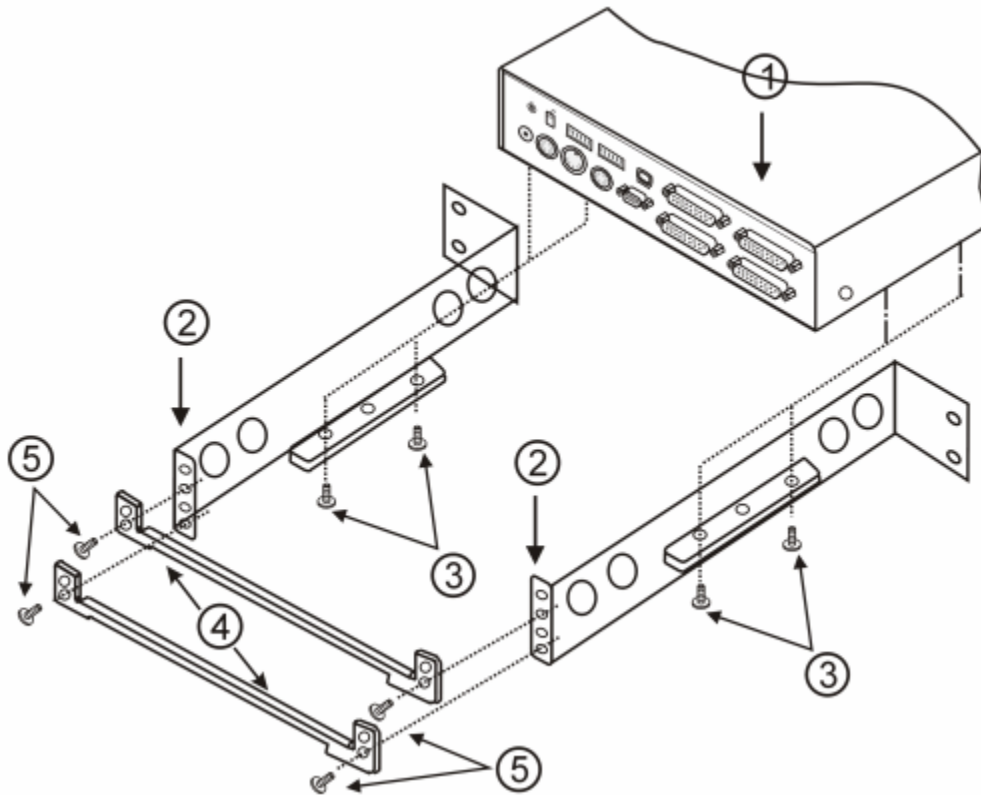


Figure 12. RCS24 to CS-PENT 2/CS-PENT 4 Installation

## RCS8 to CS-PENT 8

### CS-PENT 8

Side Frame (RCS8)	2 pieces
Round head screw, M3x8mm	4 pieces
Cable Support Bracket	2 pieces
Round head screw, M3x6mm	4 pieces

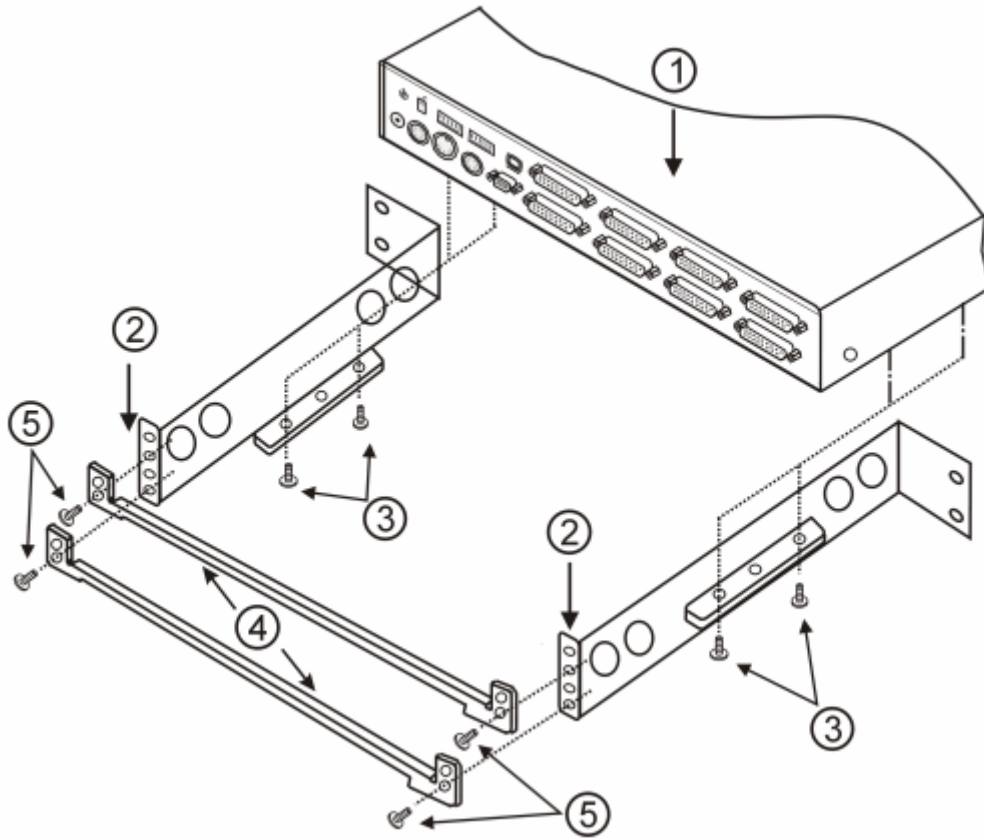
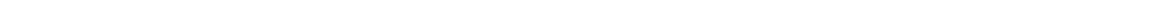


Figure 13. RCS8 to CS-PENT 8 Installation



**World Headquarters**

Raritan Computer, Inc.  
400 Cottontail Lane  
Somerset, NJ 08873  
USA  
Tel. (732) 764-8886  
Fax (732) 764-8887  
Email: [sales@raritan.com](mailto:sales@raritan.com)  
[www.raritan.com](http://www.raritan.com)

**Raritan OEM Division**

Peppercon USA, Inc.  
111 E. Wacker Dr, Suite 2626  
Chicago, IL 60601  
Tel. (847) 466-1392  
Fax (312) 729-1375  
Email: [info@peppercon.com](mailto:info@peppercon.com)  
[www.peppercon.com](http://www.peppercon.com)

**Asia Pacific Headquarters**

Raritan Computer Taiwan, Inc.  
5F, 121, Lane 235, Pao-Chiao Road  
Hsin Tien Taipei  
Taiwan, ROC  
Tel. (886) 2 8919-1333  
Fax (886) 2 8919-1338  
Email: [sales.asia@raritan.com](mailto:sales.asia@raritan.com)  
<http://www.rcit.com.tw>

**Raritan China Offices**

Shanghai Representative Office of  
Raritan Computer, Inc.  
Rm 17E Cross Region Plaza  
899 Lingling Rd., Shanghai  
China 200030  
Tel. (86) 21 5425-2499  
Fax (86) 21 5425-3992  
Email: [sales.china@raritan.com](mailto:sales.china@raritan.com)  
<http://www.raritan.china.cn>

Guangzhou Representative Office of  
Raritan Computer, Inc.  
1205/F, Metro Plaza  
183 Tian He Bei Road  
Guangzhou  
China 510075  
Tel. (86-20)8755 5581  
Fax (86-20)8755 5571  
Email: [sales.china@raritan.com](mailto:sales.china@raritan.com)  
<http://www.raritan.com.cn>

Beijing Representative Office of  
Raritan Computer, Inc.  
Unit 1310, Air China Plaza  
No.36 XiaoYun Road, Chaoyang  
District  
Beijing  
China 100027  
Tel. (86) 10 8447-5706  
Fax (86) 10 8447-5700  
Email: [sales.china@raritan.com](mailto:sales.china@raritan.com)  
<http://www.raritan.com.cn>

**Raritan Korea**

Raritan Computer Korea Inc.  
#3602, Trade Tower, World Trade Center  
Samsung-dong, Kangnam-gu  
Seoul, Korea  
Tel. (82) 2 557-8730  
Fax (82) 2 557-8733  
Email: [sales.korea@raritan.com](mailto:sales.korea@raritan.com)  
<http://www.raritan.co.kr>

**Raritan Computer Japan, Inc.**

4th Floor, Shinkawa NS Building  
1-26-2 Shinkawa, Chuo-ku  
Tokyo, Japan 104-0033  
Tel. (81) 03-3523-5991  
Fax (81) 03-3523-5992  
Email: [sales@raritan.co.jp](mailto:sales@raritan.co.jp)  
<http://www.raritan.co.jp>

Raritan Computer Japan Osaka Office  
Honmachi Phoenix Bldg 8F  
1-15-8 Nishihonmachi Nishi-ku  
Osaka, Japan 550-0005  
Tel. (81) (6) 4391-7752  
Fax (81) (6) 4391-7761  
Email: [sales@raritan.co.jp](mailto:sales@raritan.co.jp)  
<http://www.raritan.co.jp>

**Raritan Australia**

Level 2, 448 St Kilda Road  
Melbourne, VIC3004  
Australia  
Tel. (61) 3 9866-6887  
Fax (61) 3 9866-7706  
Email: [sales.au@raritan.com](mailto:sales.au@raritan.com)  
<http://www.raritan.com>

**Raritan Computer Taiwan Inc India  
Liaison Office**

210 2nd Floor Orchid Square  
Sushant Lok 1, Block B, Mehrauli  
Gurgaon Rd, Gurgaon 122 002  
Haryana  
India  
Tel. (91) 124 510 7881  
Fax (91) 124 510 7880  
Email: [sales.india@raritan.com](mailto:sales.india@raritan.com)  
<http://www.raritan.com>

**European Headquarters**

Raritan Computer Europe, B.V.  
Eglantierbaan 16  
2908 LV Capelle aan den IJssel  
The Netherlands  
Tel. (31) 10-284-4040  
Fax (31) 10-284-4049  
Email: [sales.europe@raritan.com](mailto:sales.europe@raritan.com)  
<http://www.raritan.com>

**Raritan Computer France**

120 Rue Jean Jaurés  
92300 Levallois-Perret  
France  
Tel. (33) 14-756-2039  
Fax (33) 14-756-2061  
Email: [sales.france@raritan.com](mailto:sales.france@raritan.com)  
<http://www.raritan.fr>

**Raritan Computer Deutschland  
GmbH**

Lichtstraße 2  
D-45127 Essen  
Germany  
Tel. (49) 201-747-98-0  
Fax (49) 201-747-98-50  
Email: [sales.germany@raritan.com](mailto:sales.germany@raritan.com)  
<http://www.raritan.de>

**Raritan Computer Italia**

Via dei Piatti 4  
20123 Milan  
Italy  
Tel. (39) 02-454-76813  
Fax (39) 02-861-749  
Email: [sales.italy@raritan.com](mailto:sales.italy@raritan.com)  
<http://www.raritan.com>

**Raritan Canada**

Raritan Computer Inc.  
2085 Hurontario St., Suite 300  
Mississauga, Ontario  
Canada  
L5A4G1  
Tel. (905) 949-3650  
Fax (905) 949-3651  
Email: [sales.canada@raritan.com](mailto:sales.canada@raritan.com)  
<http://www.raritan.com>

**Raritan Computer U.K. Limited**

36 Great St. Helen's  
London EC3A 6AP  
United Kingdom  
Tel. (44) 20-7614-7700  
Fax (44) 20-7614-7701  
Email: [sales.uk@raritan.com](mailto:sales.uk@raritan.com)  
<http://www.raritan.com>

## Free Manuals Download Website

<http://myh66.com>

<http://usermanuals.us>

<http://www.somanuals.com>

<http://www.4manuals.cc>

<http://www.manual-lib.com>

<http://www.404manual.com>

<http://www.luxmanual.com>

<http://aubethermostatmanual.com>

Golf course search by state

<http://golfingnear.com>

Email search by domain

<http://emailbydomain.com>

Auto manuals search

<http://auto.somanuals.com>

TV manuals search

<http://tv.somanuals.com>