



BTH-808 WIRELESS BLUETOOTH HEADSET USER'S MANUAL

1. INTRODUCTION

The headset BTH-808 is the ultimate hands-free and wire-free solution that connects your mobile phones to your headset via Bluetooth radio technology instead of a typical hard-wire connection. Conversations can now be transmitted wirelessly to and from your earpiece with this small and lightweight Bluetooth earpiece. You also have easy access to volume controls and other popular features such as Mute and visual LED indicators.

1.1 FEATURES

- Talk-time: Up to 4.5 hours
- Stand-by time: Up to 200 hours
- On/Off Switch
- On/Off LED Indicator
- Rechargeable Li-ion Battery
- Low battery LED indicator

1.2 SPECIFICATIONS

Bluetooth Standard:	Bluetooth V1.1
Operation Range:	32 feet (10 meters)
Audio Codec:	15 bits resolution, S/N > 60 dB
Frequency:	2.4 GHZ-2.4835 GHZ ISM Band
Dimension:	2.95" x 0.88.75" x 0.35" (75mm x 22.5mm x 9mm)
Connection:	Point-to-point
Weight w/Battery:	0.24 lbs (11grams)
Talk-Time:	4.5 hrs
Standby-Time:	200 hrs
Output Power:	0 dBm (class II)
Security:	128 bits encryption
Power Consumption:	17mA working, 500uA standby
Battery:	Rechargeable Li-ion polymer 110mAh
Charging:	5V DC, 100~240V AC adapter
Charging Time:	2~3 hrs
Operating Temperature:	-10 ~ 55 C
Storage Temperature:	-20 ~ 60 C
Certification:	CE, FCC, BQB
Headset Passkey:	1234

2. INTRODUCTION

2.1 HEADSET APPEARANCE

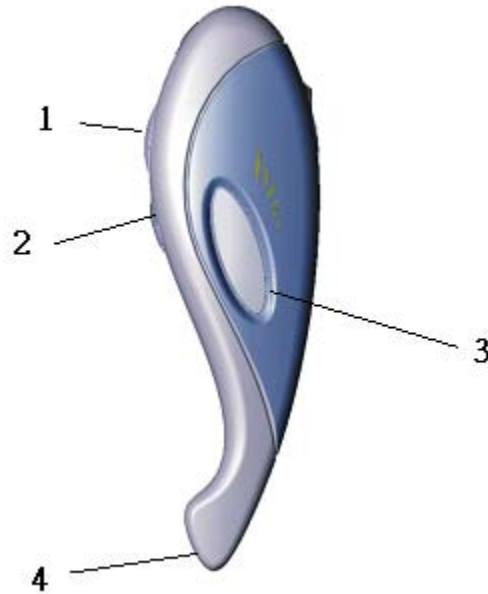


Figure 1

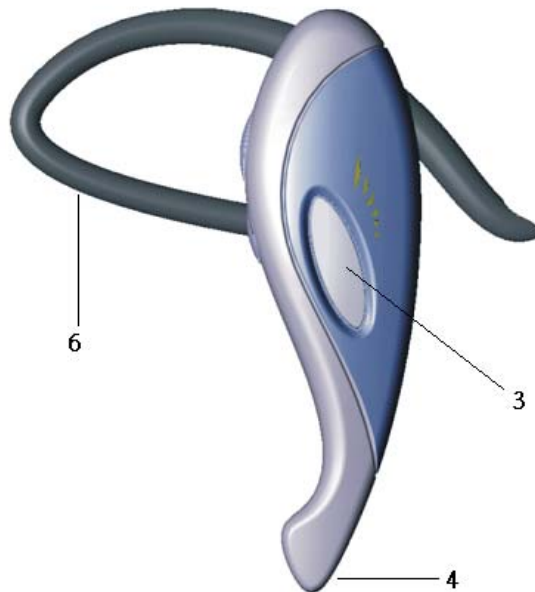
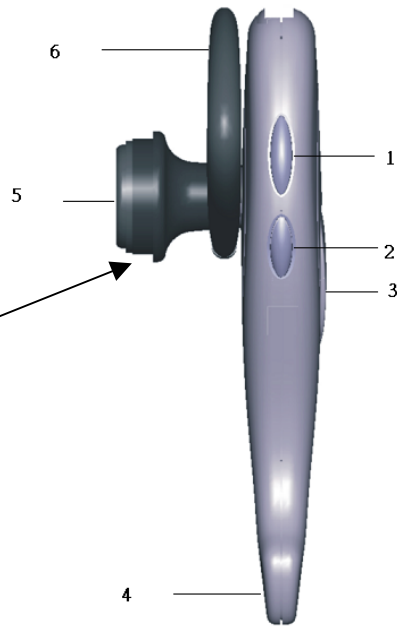


Figure 2



NOTE:

Carefully remove the clear protective plastic band around the headset speaker and replace it with included foam cover. Your BTH-808 should look like the one shown in Fig 6 when complete.

Figure 3

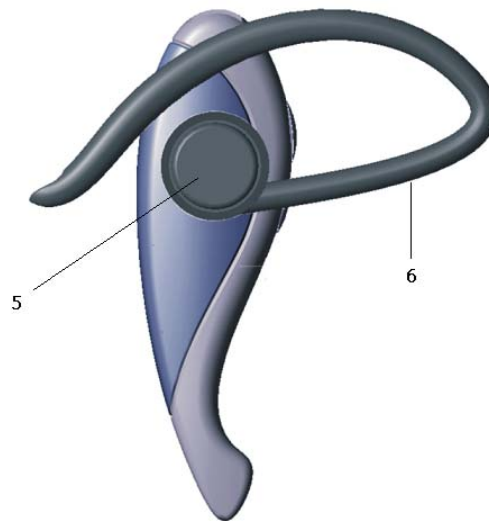


Figure 4

- 1 → **Volume Control (up)** -Adjusts speaker(receive) volume up
- 2 → **Volume Control (down)** -Adjusts speaker(receive) volume down
- 3 → **Multifunction button**.-Controls several headset functions.
- 4 → **Microphone** -Picks up your voice input.
- 5 → **Speaker** -Plays the sound you receive on the call.
- 6 → **Ear hook** -Attaches headset to ear

2.2 HOW TO USE BTH-808 WITHOUT EAR HOOK



Figure 5



Figure 6

2.3 HOW TO USE BTH-808 WITH EAR HOOK



Figure 7



Figure 8

You need to adjust the ear hook for left-ear or right-ear use. The figure 7 is for left-ear use and the figure 8 is for right-ear use.



2.4 WHEN TO CHARGE

GETTING STARTED

Before you can use your headset, you need to charge its self-contained battery for a minimum of two hours.

RECHARGING

When the red indicator light on the headset flashes and you hear high tones through the headset speaker, the headset battery needs to be recharged.

BATTERY USEAGE

A fully charged headset battery provides approximately:

Talk time – 4.5 hours

Standby time – up to 200 hours

2.5 PAIRING THE HEADSET WITH A PHONE

You must first pair the headset with your phone by adding it to a list of paired devices within the phone. The two devices can then recognize each other when they connect. Once you have paired your headset with your phone. You do not need to pair it again, or if you choose to use it with another device.

The BTH-808 can store pairing information for up to eight different Bluetooth devices.

TO PAIR THE HEADSET WITH A BLUETOOTH ENABLED PHONE

1. Prepare your phone according to its User Manual instructions for pairing Bluetooth devices.
2. Press the multifunction button on the BTH-808 for about 10 seconds until the blue and red indicator lights on the headset flash alternately. The headset is now ready for pairing.
3. Continue according to the instructions in the phone's user documentation.

NOTE: The headset Passkey is 1234.

2.6 WEARING ON THE HEADSET

1. Make sure the ear hook forms an angle of 90°.
2. Place the ear hook behind your ear.
4. Make sure the microphone is pointing forward towards your mouth.

2.7 HOW TO TURN ON/OFF HEADSET

To turn the headset on

Press and hold the Multifunction button until the headset indicator flashes the **BLUE** LED four times.

To turn the headset off

Press and hold the Multifunction button until the headset LED indicator flashes the **RED** LED four times .

2.8 MAKING AND ANSWERING CALLS

Phone functionality is still available when the headset is powered On and Paired with your phone. You can make and answer calls using the buttons on the headset. or the keys on the phone, as usual.



To make a call using voice dialing

1. Make sure the phone and the headset are on and within range of each other and then press the multifunction button.
2. It may take a second to establish the wireless connection between the phone and the headset. During this time, you might hear a repeated tone in the headset, but after the beep, you can begin to dial as you normally would.
3. End the call by pressing the multifunction button.

To answer a call using the multifunction button

1. When the headset rings, press the multifunction button to answer.
2. End the call by pressing the multifunction button.

To reject a call

When the headset rings, press and hold the multifunction button until you hear a long beep.

USING VOICE COMMANDS

Voice commands are especially useful when you are using the headset. Examples of voice commands are dialing, re-dialing, answering and rejecting calls. For more information on voice commands, refer to your phone's User Guide.

ADJUSTING THE VOLUME

You can adjust the headset speaker volume during a call, or the ring volume when you are not engaged in a call.

To adjust the volume

To increase the volume, press (+) .

To decrease the volume, press (-).

To turn off the microphone (mute mode)

During a call, press and release both (+) and (-) at the same time to turn off the microphone. A repeated beep is heard while the microphone is turn off.

Press and release both (+) and (-) again to resume the conversation.

TRANSFERRING AUDIO FROM PHONE TO HEADSET

If you make a call with using your phone, you can transfer the audio to the headset if the headset is on, paired with the phone and within range.

To transfer audio to the headset

During a call, press the multifunction button to transfer the sound to the headset. The headset beeps until the sound has been transferred.

Note: To transfer the sound from the headset to the phone, refer to the phone's User Guide.

LOST CONNECTION TO HEADSET

If the connection to the headset is lost during an ongoing call, press the YES key on the phone to transfer the call to the phone, otherwise the call is disconnected after 30 seconds.



3. TROUBLESHOOTING

3.1 No audio between headset and phone

- a.) The headset and the phone you are using must be paired to recognize each other before you can use the BTH-808. Follow the instruction for pairing Bluetooth devices as stated in your phone's User Guide.
- b.) The BTH-808 needs to be charged for 2 hours before initial use.
- c.) Both the BTH-808 and your phone need to be within range of each other typically within 30'.

3.2 The indicator light flashes red

- a.) This indicates that the headset battery is low and there is only limited talk and standby time left. Charge the headset battery for approximately 1 to 1.5 hours.

3.3 The headset automatically switches off

- a.) There are two reasons why the headset might be switched off automatically:
 - i. The battery is too low.
The red LED indicator on the headset flashes and you hear high tones through the headset speaker. Charge the headset battery for approximately 2 ~ 3 hours.
 - ii. The headset has been in pairing mode for more than 1 minute. Exit pairing mode and verify if the BTH-808 was properly paired with your phone. If not, power off both the phone and BTH-808, wait 1 minute and then power both devices back on and repeat the pairing process again.

SAFETY AND LEGAL NOTICES

PLEASE READ THIS SECTION CAREFULLY BEFORE USING TRIPNAV

Rayming Corporation will not accept any responsibility whatsoever for accidents resulting from failure to observe common sense precautions. Your personal judgement, traffic regulations, and common sense must always take precedence over any use of this product.

WARNING: Make sure that the BTH-808 does not interfere with your ability to driving and impair the hearing of emergency sirens.

It is your responsibility as the vehicle operator to drive safely, observe all traffic rules and ordinances while using your own personal judgment.

WARNING: Keep your eyes on the road.

It is your responsibility as the vehicle operator to keep your eyes on the road and be an alert driver at all times, especially when the vehicle is moving. The vehicle's operator should not be distracted by any type of communication equipment. Should there be a distraction with the ability to drive responsibly, please turn all communication devices off or park the car safely, while following all traffic regulations before looking taking or making phone calls.

WARNING: To reduce the risk of fire or shock hazard, do not expose this product to rain or moisture. Do not remove covers or open housings, there are no user serviceable parts inside. Refer servicing to qualified personnel only.



LIMITED WARRANTY

Rayming Corporation warrants this product hardware against manufacturing defects in material and workmanship under normal use for one (1) year from the date of purchase from an authorized dealer. Except as provided herein, Rayming Corporation makes no express warranties, including but not limited to any warranties of merchantability or fitness for particular use, or non-infringement. You acknowledge that your use of the product or service is at your sole risk and you agree that the information provided are without warranty of any kind by Rayming Corporation/Globalsat Technology.

Under no circumstances, including negligence, will Rayming Corporation or any of its affiliates, directors, officers or employees, or any third party be liable for any direct, indirect, incidental, special or consequential damages that results from your use, or your inability to use, or the performance of the product(s) with respect to any liability, loss, or arising out of any breach of this warranty, including, but not limited to any damages resulting from inconvenience, loss of time, data, property, revenue, or profit or any indirect, special incidental or consequential damages.

You acknowledge that this limitation applies to all content information or other services available from Rayming Corporation, and whether or not Rayming Corporation has notice of the possibility of such damages, and whether or not to circumstances giving rise to such damages may have been within the control of Rayming Corporation.

Some states do not allow the exclusion of certain warranties, so some of the above exclusions may not apply to you. In those states, liability is limited to the fullest extent allowed by law. By using the product(s), you agree to indemnify Rayming Corporation and its parents, subsidiaries, affiliates, officers and employees and hold them harmless from any and all claims and expenses, including reasonable attorney's fees, asserted third party due to, or arising out of your use of the service and the site.

In the event of a product defect during the first 30-days of the warranty period, return product and the sales receipt as proof of purchase date to place of original purchase. Defect discovered after 30-days from date of purchase, you must contact Rayming Corporation's Technical support for a Return Merchandise Authorization (RMA) number for return to manufacturer.

Products purchased from Rayming Corporation, or one of their authorized resellers must be registered on-line before technical support, or an RMA can be issued for your product. Register your product today at: <http://rayming.com/support/custadminlogin.asp>

NOTE:

Products which are **NOT** purchased directly from Rayming Corporation, or one of their authorized resellers, will **NOT** be eligible for product support or warranty coverage through Rayming Corporation. Please contact your original reseller for their warranty details.

Free Manuals Download Website

<http://myh66.com>

<http://usermanuals.us>

<http://www.somanuals.com>

<http://www.4manuals.cc>

<http://www.manual-lib.com>

<http://www.404manual.com>

<http://www.luxmanual.com>

<http://aubethermostatmanual.com>

Golf course search by state

<http://golfingnear.com>

Email search by domain

<http://emailbydomain.com>

Auto manuals search

<http://auto.somanuals.com>

TV manuals search

<http://tv.somanuals.com>