

Y *SERIES*

Catalog No: 5000.54H
Effective: 06-19-07
Replaces: 02-01-04

ELECTRONIC BOILER SEQUENCER & OUTDOOR RESET CONTROLLER



Installation and Operating Instructions

Raypak[®]
A Rheem[®] Company

PN 240692 Rev. 9

Y-SERIES ELECTRONIC BOILER CONTROL

Installation and Operating Instructions



is a registered trademark of Underwriters Laboratories Inc.®



is a registered trademark of Underwriters Laboratories-Canada Inc. ®

Before operating this product, please read these instructions completely.

TABLE OF CONTENTS

Contents	Page
<u>Basics</u>	4
<u>Important Safety Instructions</u>	4
<u>Introduction</u>	5
Concept of Operation	5
Optional Configurations	5
Control Features	6
<u>Installation and Mounting</u>	7
Mechanical Installation	7
Electrical Installation	7
Wiring: Power to Controller	8
Air Temperature Sensor	9
Water Temperature Sensor Installation	10
Hydronic Installations	10
Domestic Hot Water Installations	11
Pool Heating Installations	12
Field Wiring	13
Power Test	14
<u>Control Familiarization</u>	15
Sequence of Operation	16
Manual Override	16
Indicator Lights	18
Control Functions	19
Reset Ratio Chart	19
Circuit Board	23
Interior Jumper & Switches	24
Optional Controls	26
<u>Replacement Parts List</u>	27
<u>System Start-Up Settings</u>	28
<u>Troubleshooting Guide</u>	29
<u>Warranty</u>	30

BASICS

Contents

Item	Quantity
Y-Series Boiler Control, Installed on Boiler(s)	As Ordered
Outdoor Temperature Sensor Assembly	1
Water Temperature Sensor Assembly	1
Optional Equipment	As Ordered

Check packaging for damaged or missing components.

IMPORTANT SAFETY INSTRUCTIONS

IMPORTANT NOTICE: These instructions are intended for use by qualified personnel who are specifically trained and experienced in the installation of this type of equipment and related system components. Installation and service personnel may be required by some states to be licensed. If your state requires certification, be sure your contractor bears the appropriate license. Only qualified persons shall attempt to repair this equipment. Repair must be according to these instructions.

WARNING: Improper installation, adjustment, alteration, service or maintenance may damage the equipment, create a hazard resulting in asphyxiation, explosion, fire, electric shock, personal injury or property damage, and will void the warranty.

CAUTION: MORE THAN ONE (1) SUPPLY SOURCE. THIS APPLIANCE HAS PROVISIONS TO BE CONNECTED TO MORE THAN ONE (1) SUPPLY SOURCE. TO REDUCE THE RISK OF ELECTRIC SHOCK, DISCONNECT ALL SUCH CONNECTIONS BEFORE SERVICING.

CAUTION: RISK OF ELECTRIC SHOCK. MORE THAN ONE (1) DISCONNECT SWITCH MAY BE REQUIRED TO DE-ENERGIZE THE EQUIPMENT BEFORE SERVICING.

Thank you for selecting the Raypak Y-Series Electronic Boiler Control. It is our sincere hope that you will enjoy its outstanding design, ease of use and energy saving features.

INTRODUCTION

The Y-Series Electronic Boiler Control (controller) is a microprocessor-based energy management system designed to control either single or multiple stage-fired boilers. Ideally suited for use in hydronic heating and domestic hot water supply applications, the Y-Series has been engineered with the flexibility and raw power to tame the most demanding control situations. Utilizing a state-of-the-art PID control algorithm, the Y-Series minimizes operating costs by maximizing energy efficiency.

CONCEPT OF OPERATION

This controller is an outdoor reset control that is perfect for managing hydronic heating systems. Two temperature sensors are used to control system response. One sensor is used to monitor the outdoor temperature, the other sensor is used to regulate the temperature of the system water. By varying the temperature of the heating medium in response to changes in the outdoor temperature, the Y-Series provides the ultimate in personal comfort and efficiency of operation.

The Y-Series controller is also well adapted to domestic hot water supply duty. By disabling the outdoor reset function, the Y-Series behaves as an energy-wise boiler sequencer. With the ability to control up to eight firing stages, and such features as a revolutionary "First-On, First-Off" lead-lag protocol, the Y-Series redefines "controlability" in domestic water applications.

The controller is equipped with an energy-saving warm weather shutdown capability. When the outdoor temperature rises above an adjustable "Outdoor Cutoff Temperature," the system automatically transitions to a dormant state. This prevents the system from wasting energy trying to heat a building that is already at a comfortable temperature. Once the outside temperature has fallen to the point that the system requires heat input to maintain the building temperature, the Y-Series is reactivated and will hold the system temperature at the required point.

The Y-Series can also be equipped with an optional clocked alternate setpoint package. The alternate setpoint allows control operation at an independent setpoint temperature and can be used either for night setback or pre-occupancy boost. An electromechanical 7-day timer switches the control between regular and alternate setpoint modes and can be set at two hour activation intervals. See the section on the optional clocked alternate setpoint for details.

OPTIONAL CONFIGURATIONS

Y-2B	BASIC UNIT, NO OPTIONS
Y-3B	BASIC UNIT PLUS DIGITAL DISPLAY
Y-4B	BASIC UNIT PLUS NIGHT SETBACK OPTION
Y-5B	BASIC UNIT PLUS NIGHT SETBACK AND DIGITAL DISPLAY OPTIONS

PLEASE REGISTER

Before proceeding any further, please take a moment to complete the enclosed user registration form and mail a copy to Raypak, Inc., Department Y-Series, 2151 Eastman Avenue, Oxnard, CA 93030

CONTROL FEATURES

The Y-Series sequence panel includes:

- **Standard Indicator Lights:**

- Stages 1 to 8: Red, indicates which stages are turned on.
- Pump: Green, indicates that the pump circuit is energized.
- Call for Heat: Green, indicates that a call for heat signal is present.
- Control On: Green, indicates outdoor temperature is below the Outdoor Cutoff Temperature potentiometer setting and that the boiler will respond to a call for heat.
- Setting Error: Red, indicates one or more of the on-board settings is incorrect.
- Sensor Error: Red, indicates that the Water or Outdoor Temperature Sensor has an out-of-range reading.

- **Adjustment Knobs:**

- Reset Ratio: 0.12:1 to 8:1; determines how much the micro-controller calculated Target Temperature will change for a given outdoor temperature change.
- Control Band: 1°F to 10°F; the temperature above or below the Target Temperature at which the boiler turns off and on.
- Pump Off Delay: 0 to 10 min.; determines when the pump shuts off after entering Outdoor Cutoff mode.
- Outdoor Cutoff Temperature: 32°F to 200°F; a warm weather shutdown feature. When the outdoor temperature exceeds this setting, the boiler will not fire unless placed in manual override mode.
- Outdoor Cutoff Deadband: 1°F to 10°F; the number of degrees below the Outdoor Cutoff (O/C) Temperature which causes the O/C to reset.
- Boiler On Delay: 0 to 5 min.; sets the time interval between sequential boiler start ups.
- Stage On Delay: 0 to 60 sec.; determines the time delay between stages turning on.
- Max. Water Temp.: 70°F to 235°F; the maximum value that the Target Temperature is allowed to reach.
- Set Point: 40°F to 220°F; the system output temperature desired when the outdoor temperature is 70°F or, in domestic water applications, the desired water temperature.

- **Logic Test Button, Jumper and Switches:**

- System Test Button (S1): initiates micro self test which causes the status indicator lights to blink 5 times indicating the micro-controller is functioning properly.
- Last Stage Jumper (J2): selects the last active stage used for boiler control.
- First Stage #1 Selector (S2): designates the first stage of each boiler in a multi-boiler system. Switch position #1 should always be on.
- Mode Selector (S3): switch #1 selects either Manual or Auto Lead-Lag Mode. Switch #2 provides an Outdoor Reset defeat. Switch #3 configures the Y-Series for Master/Slave ganged operation. Switch #4 allows the Set Point to be set below 105°F.
- Bypass Switches (S5): allows user to turn on any stage(s) regardless of current settings and conditions if, and only if, the pump relay is already activated.

INSTALLATION AND MOUNTING

If the Y-Series Electronic Boiler Control was not mounted on the boiler by the factory, care should be taken to select a suitable mounting location. The control should be mounted on a solid and permanent base. The control enclosure is NEMA 3R rated, rainproof and sleet resistant, and can be mounted outdoors if required. The unit should be readily accessible for maintenance and installation purposes, and should be mounted so that the indicating lights are at a height and location convenient for viewing.

MECHANICAL INSTALLATION

Install the control within 10 feet of the boiler(s). The control must be mounted vertically with the conduit holes facing downward. The conduit holes are sized to accommodate standard conduit fittings. If additional or larger conduit fittings are required, the holes should be located on the bottom of the module.

Mount the control using the mounting bracket and appropriate 3/8" or 1/4" hardware in four (4) places.

A minimum of eighteen (18) inches clearance from the front, and six (6) inches clearance on all other sides is required for service access. The hinged right side of the box should be installed with sufficient clearance (minimum 3" from the bolt holes on the right side) to open the cover.

An electrical distribution sub-panel containing appropriate disconnect switches and surge suppressors is required at or near the equipment location(s).

To access the control board, remove the interior front panel by unscrewing the four (4) decal panel fasteners.

INSTALL CONDUIT AS APPROPRIATE.

NOTE #1 : Shielded 18 gauge cable must be used to connect the sensors to the Boiler Control Module. The shielded cable should be protected by conduit whenever possible.

NOTE #2 : 18 AWG - Stranded wire must be used for all connections to printed circuit board (PCB). Solid conductors should not be used because solid wire conductors can cause excessive tension on contact points.

ELECTRICAL INSTALLATION

ELECTRICAL CHARACTERISTICS: 120 VAC, 60 Hz, 0.5A

120 VAC FEEDER CIRCUITS

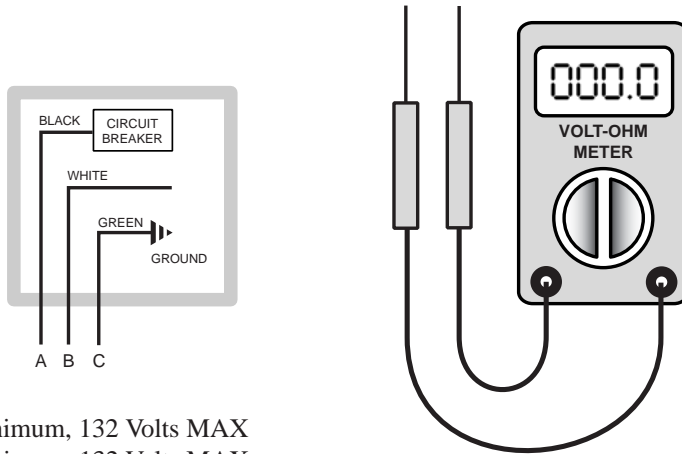
Install a surge protection device sized appropriately for your installation at each module.

Install a separate disconnect means for each load. Use appropriately sized wire for equipment as defined by NEC and/or local code. All primary wiring should be 125% of minimum rating.

It is strongly recommended that the Y-Series Electronic Control Module and the boiler(s) be supplied from the same power source.

CHECK YOUR POWER SOURCE

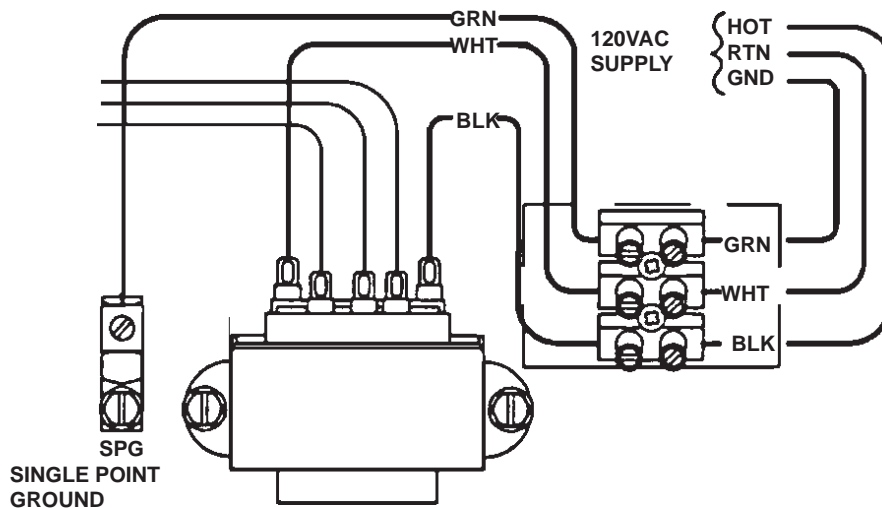
Using a volt-ohm meter, check the following voltages at the circuit breaker panel:



AC = 108 Volts AC Minimum, 132 Volts MAX
AB = 108 Volts AC Minimum, 132 Volts MAX
BC = Must be less than 1.0 Volts AC

WIRING: POWER SOURCE TO CONTROLLER

- Observe polarity.
- Observe proper wire colors while making electrical connections.
- Provide an external surge suppressor capable of maintaining system integrity.
- Provide overload protection and a disconnect means for equipment serviceability as required by local and state code.
- Conduit cannot be used as the ground. (There **must** be a “WIRED” ground.)
- **Very Important:** A grounding electrode conductor shall be used to connect the equipment grounding conductors, the equipment enclosures, and where the system is grounded, the grounded service conductor to the grounding electrode.



WATER TEMPERATURE SENSOR INSTALLATION HYDRONIC INSTALLATIONS

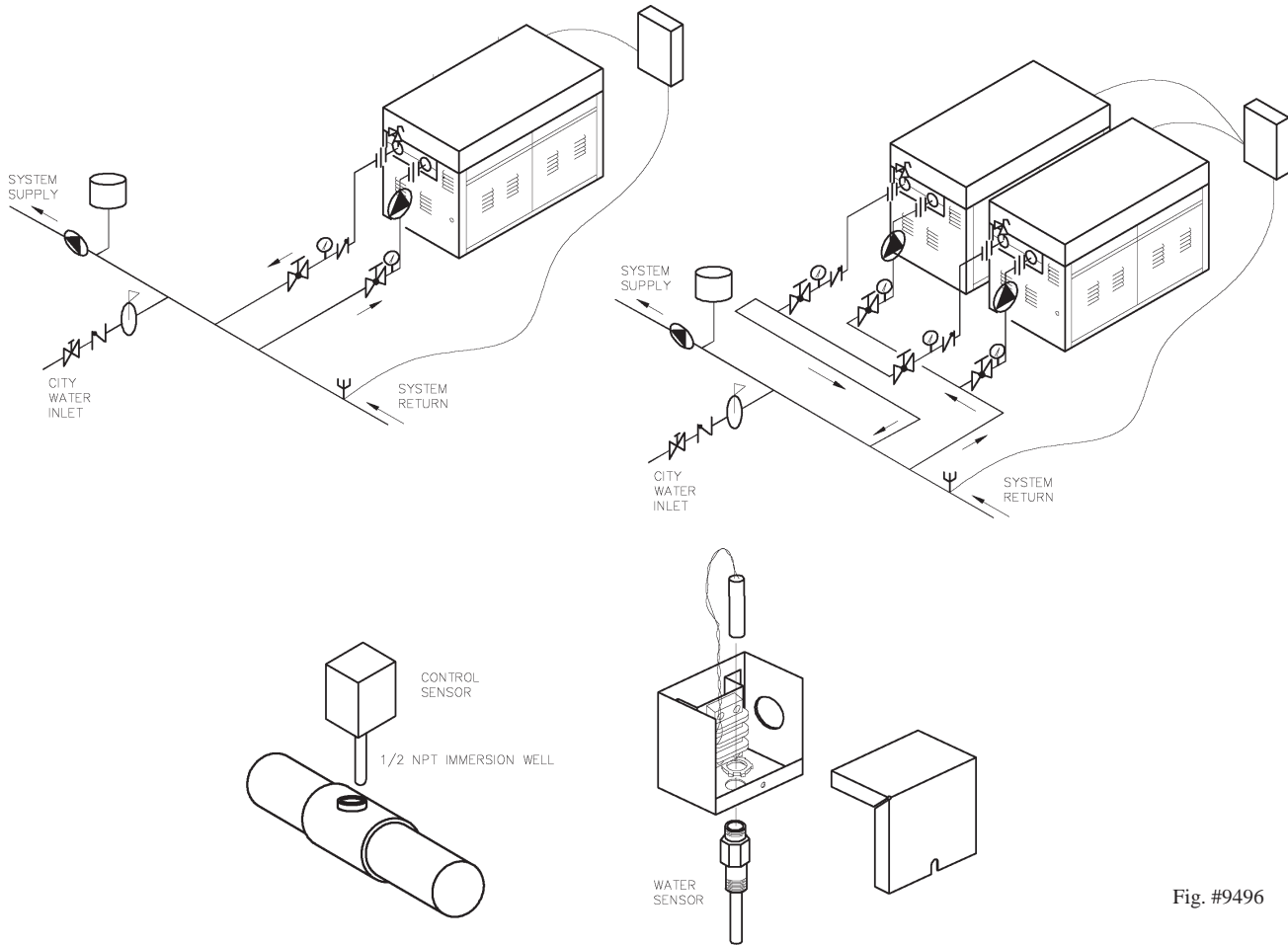


Fig. #9496

TYPICAL WATER SENSOR

- The water sensor should be installed in the system supply.
- Locate the water temperature sensor in the system piping just prior to the first boiler connections, on the upstream side of the System Supply Loop.
- Cable length must not exceed 300 feet.
- Install in shielded conduit with no other wiring.
- Observe wire colors.

WATER TEMPERATURE SENSOR INSTALLATION DOMESTIC HOT WATER INSTALLATIONS

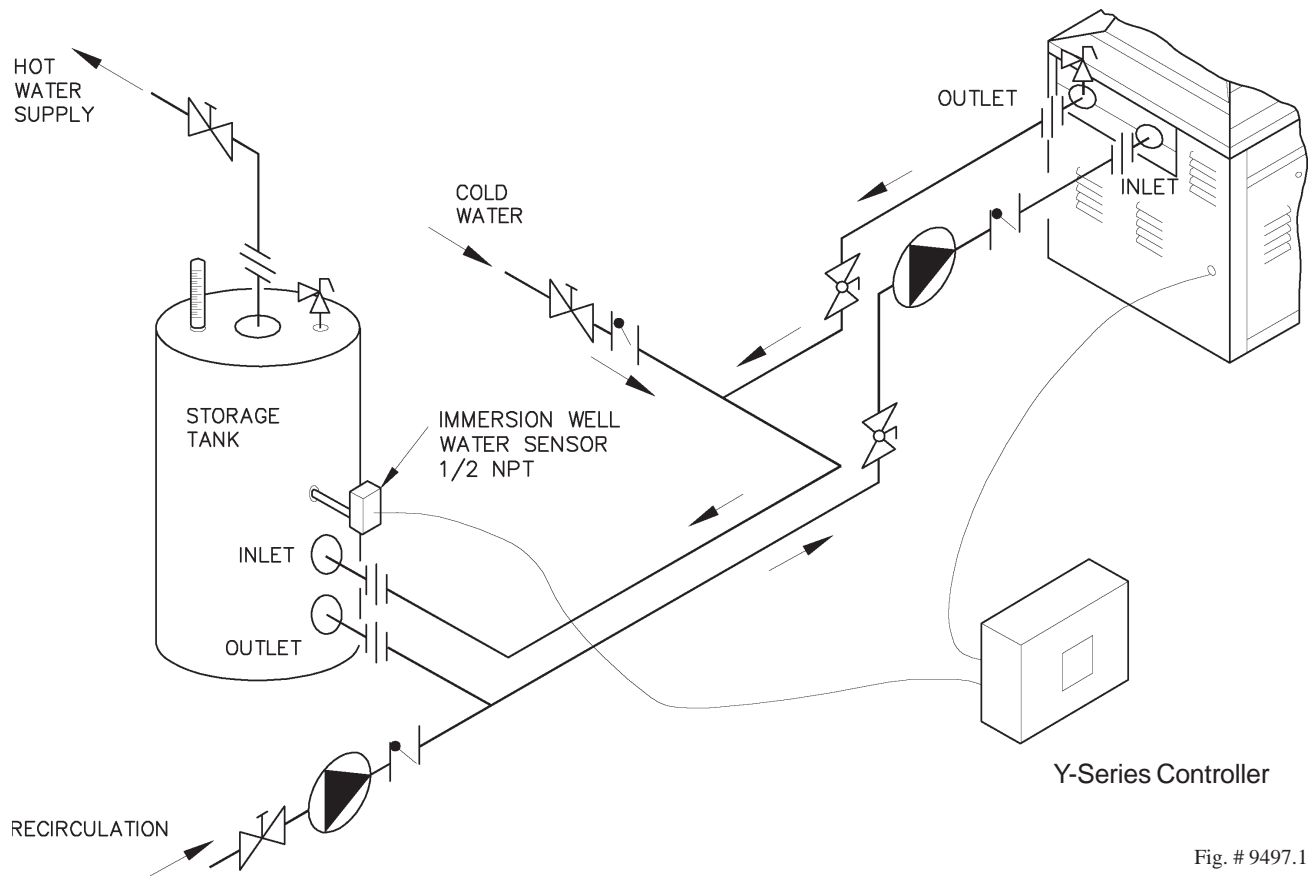


Fig. # 9497.1

Air temperature sensor must be installed across air temperature sensor contacts. The sensor is not activated and can be left stored in controller enclosure.

DOMESTIC HOT WATER APPLICATION SETUP PROCEDURE

1. Install a 10,000 Ohm, 1/8 Watt resistor between pins 1 and 2 on P2 connector (see pg. 13), in place of the Outdoor Air Temperature Sensor. The Outdoor Air Temperature will appear to be about 77°F.
2. Set switch #2 (Outdoor Reset) to ON - 70°F Defeat, on S3. (See pg.s 15 and 23-24.)
3. Set the Outdoor Cutoff Temperature to 200°F. (See pg. 21.)
4. Adjust the Set Point to desired domestic hot water temperature. Controller will track the Set Point Temperature. (See pg. 22.)

NOTE: The Outdoor Air Temperature sensor can be used as a replacement for the Water Temperature Sensor. Both sensors are identical.

WATER TEMPERATURE SENSOR INSTALLATION POOL HEATING INSTALLATIONS

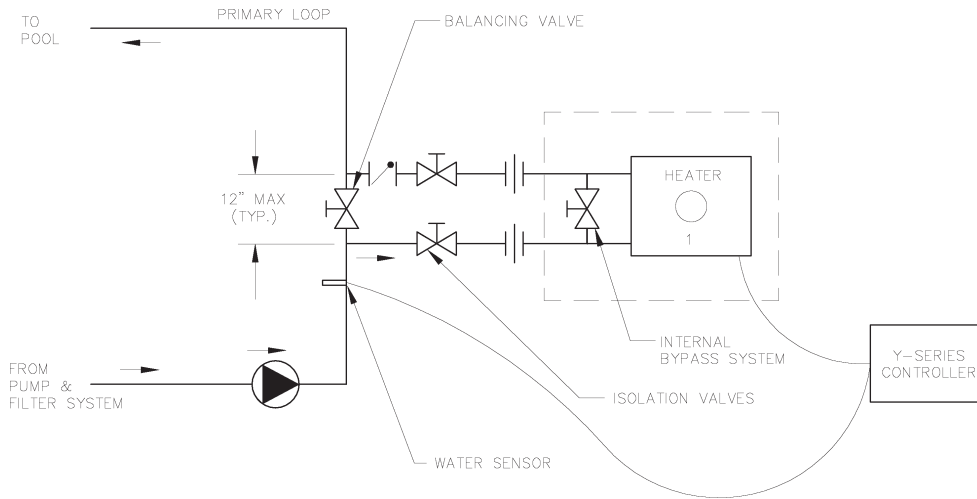


Fig. # 9498

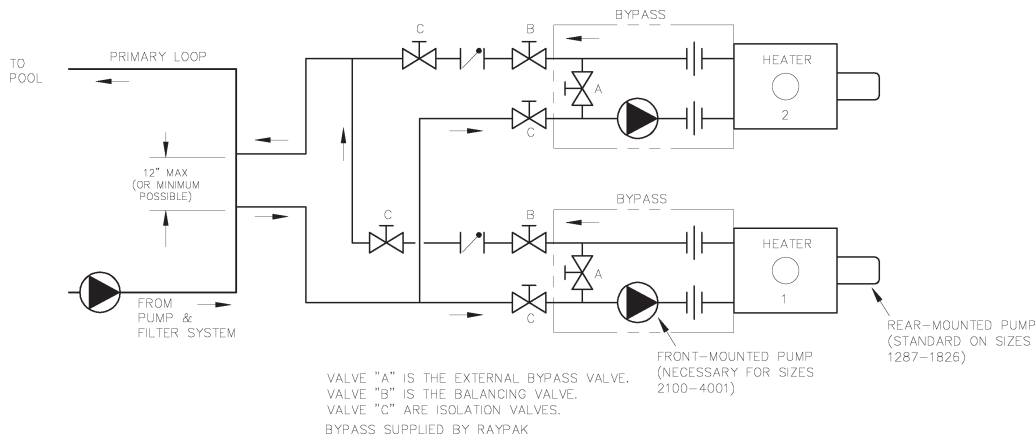


Fig. # 9499

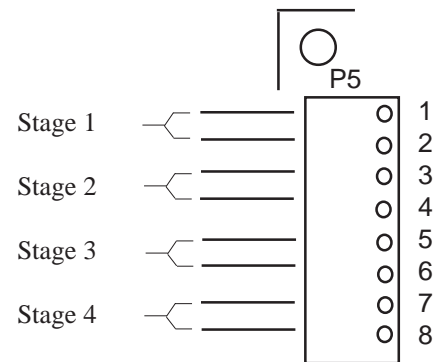
1. Install the air temperature sensor across the air temperature sensor contacts (P2, pins 1 and 2; see the field wiring diagram on pg. 13).
2. On the mode selector switch (S3), set switch #2 (Outdoor Reset) to ON to disable the outdoor reset function. (See pg.s 15 and 23).
3. Set the Outdoor Cutoff Temperature to 200°F. (See pg. 21.)
4. Adjust the setpoint to desired pool temperature. Thereafter, the controller will track the setpoint and fire heater stages as necessary.

NOTE: The Outdoor Air Temperature sensor can be used as a replacement for the Water Temperature Sensor, as both sensors are indicated.

FIELD WIRING

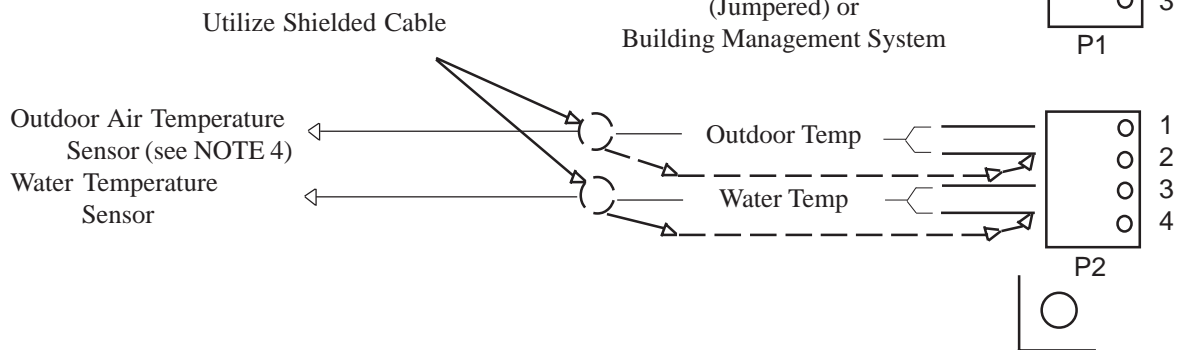
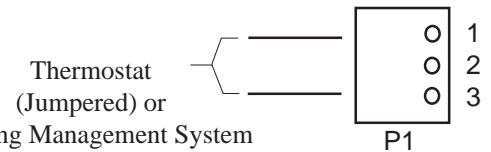
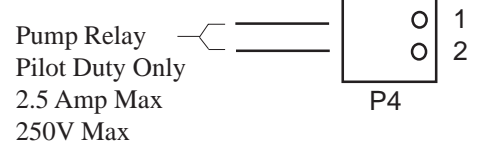
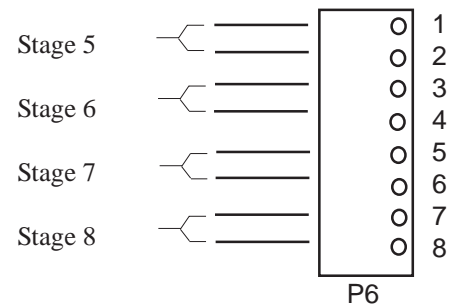
Single-Stage (On/Off) Boilers

- All stage connections on the control board are connected at the {TH} (Thermostat) location on the boiler wiring diagram.



Multiple-Stage Boilers

- First stage connections on the control board are connected at the {TH} (Thermostat) location on the boiler wiring diagram.
- Second (or third, etc.) stage connections on the control board are connected at the locations shown on the boiler wiring diagram.



Notes:

1. Tighten terminal strip clamping screws to 4 in-lbs. Breakage from over torquing is not covered under warranty.
2. Use copper conductors only.
3. For supply connections, use wires sized on the basis of 60°C (140°F) ampacity and rated a min. 90°C (194°F).
4. The outdoor sensor must be connected, otherwise a sensor error will be displayed.

INSTALLATION VERIFICATION PROCEDURE

REGISTER

- Before proceeding any further, please verify that the user registration form has been completed and mailed.

MECHANICAL INSTALLATION

- Verify that the mechanical installation has been completed in accordance with the instructions.

OUTDOOR AIR TEMPERATURE SENSOR

- Verify that all Outdoor Air Temperature Sensor installation parameters have been met.

WATER TEMPERATURE SENSOR

- Verify that the Water Temperature Sensor installation parameters have been met.

SYSTEM MODULE INSTALLATION

- Verify electrical power wiring connections.
- Verify electrical connection torque requirements.
- Verify Outdoor Air Temperature Sensor wiring.
- Verify Water Temperature Sensor wiring.
- Verify Power Test has been completed successfully.

POWER TEST

Utilizing a Volt-Ohm-Meter (VOM) monitor the following on the controller for proper voltage levels. Check at Terminal Block TB-1.

POWER TEST TABLE

<u>From:</u>	<u>To:</u>	<u>Indication</u>
TB pin 1	TB pin 2	108 VAC to 132 VAC
TB pin 1	Single Point Ground	108 VAC to 132 VAC
TB pin 2	Single Point Ground	less than 1 VAC

CONTROL FAMILIARIZATION

The System is configured using the circuit board jumpers and switches, and the front panel control potentiometers.

Open the front cover of the Boiler Control Box for access to the front panel. Remove the front panel to gain access to the jumpers and switches on the Y-Series Electronic Boiler Control circuit board.

Refer to the Interior Jumper and Switches section of this manual (pg. 24) for detailed configuration instructions.

1. Last Stage Selector. Install the jumper pot (J2) shunt bar in the position that corresponds to the total number of stages to be controlled.
2. First Stage Selector. Switch (S2); Place switches in the ON position corresponding to the first stage of each boiler in the system. Switch position #1 should always be in the ON position.
3. Mode Selector. Switch (S3) determines the following:
 - A. Switch #1, R/M
OFF - Manual Lead-Lag selection
ON - Automatic Lead-Lag selection
 - B. Switch #2, 70°F OFF
OFF - Outdoor Reset Enabled
ON - 70°F Defeat Enabled, Outdoor Reset Disabled-used for domestic water installations.
 - C. Switches #3 Master/Slave Option
OFF - Designates the Y-Series as a Master Control (Normal)
ON - Designates the unit as a slave (used for ganged Y-Series controls controlling 9 to 24 firing stages)
 - D. Switch #4, No Min Set Point Switch
OFF - Minimum allowable Set Point of 105°F to reduce potential of condensing the boiler.
ON - Set Point can be reduced to 40°F for special applications (i.e. water source heat pumps, etc.)
 - E. Switch #5 (reserved)
 - F. Switch #6 (reserved)
 - G. Switch #7 (reserved)
 - H. Switch #8 (reserved)
4. Lead-Lag Selector, Rotary switch (S4) selects the lead stage for stage sequencing. (Applies only in manual lead-lag mode when Mode Selector Switch (S3) Switch #1, is OFF) switch should point to first stage in multi stage applications.
5. Output Over-Ride Switch (S5) provides Manual Override of the system control. Switches #1 through #8 turn on the corresponding relay and stage. Switch #9 turns on the pump circuit. The other stages are inter-locked with Switch #9 and will not fire unless the pump is on. Switch #10 is not used.
6. System Test Switch (S1) is a momentary switch which will cause status indicators to blink five times then revert to normal indications. This tests the functions status of the micro-controller.

Reinstall the panel above indicator lights that cover the Y-Series Electronic Boiler Control Circuit board.

Refer to the CONTROL POTENTIOMETERS (KNOBS) section of this manual to set the initial system operating parameters. Set knobs to default values and fine tune if necessary.

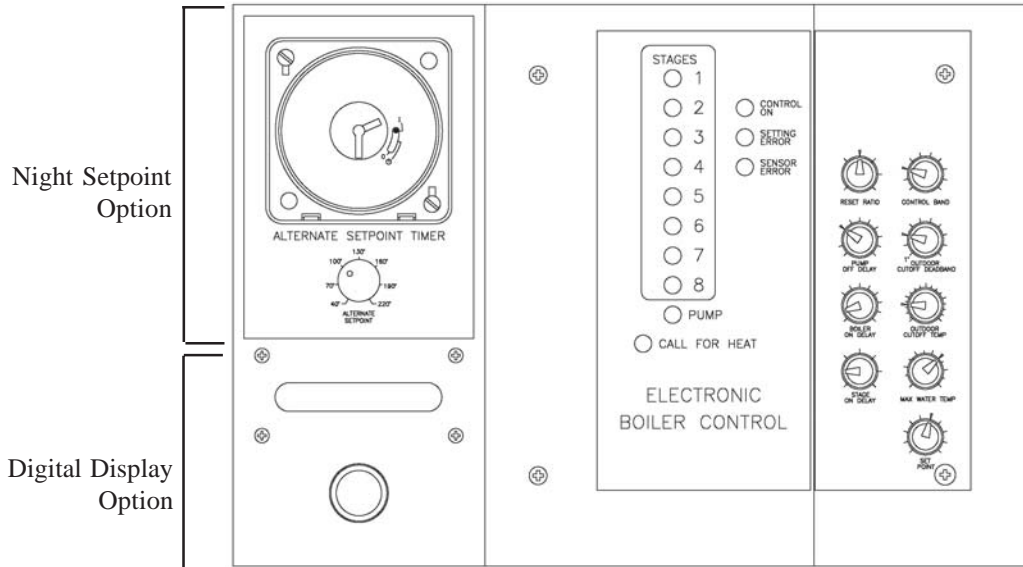
SEQUENCE OF OPERATION

1. When the reset is enabled, the Y-Series Control continuously monitors outdoor temperature using the outdoor temperature sensor. When the outdoor temperature falls below the outdoor cutoff temperature, the Control becomes active and closes the primary pump relay, energizing the primary system circulating pump. The Control then monitors the system supply water temperature. The microprocessor calculates an optimum target water temperature within selectable limits of the control band, the setpoint, the reset ratio and the outdoor air temperature. If outdoor reset is disabled, the readings of the air sensor are not used in subsequent calculations. In either case, if the water temperature falls below the calculated target temperature the Control sends a call for heat to the lead unit (stage).
2. Upon a call for the heat the control closes the lead unit's thermostat (TH) circuit, which energizes the lead unit's circulating pump. After the flow switch has confirmed adequate flow, the ignition sequence is initiated and the unit ignites at stage 1. The Control then sequences the units/stages in response to changes in the system to target differential temperature, time away from target temperature, and temperature rate-of-change parameter as determined by the P+I+D algorithms.
3. Additional stages (and units) are activated or deactivated as required in order to maintain or restore target system water temperature. This Control uses "first on, last off" logic. As the system water temperature increases and begins to approach target temperature, the Control deactivates the stages and heaters in reverse order of firing until the first unit/stage fired is turned off. After the final stage of a given unit has been turned off, that unit's Economaster pump control will continue to power the unit's circulating pump until a user-adjustable time delay has elapsed, thereby extracting all available residual heat.
4. The Control stores firing command and system response data in the last five memory registers of the microprocessor. On the next call for heat, the Control will modify the stored P+I+D data to optimize its own responses.
5. When the outdoor temperature exceeds the outdoor cutoff temperature, the Control enters warm weather shut-down mode. The primary pump is turned off after a user-adjustable time delay, and the Control becomes dormant, until outdoor temperatures again fall below the outdoor cutoff temperature.

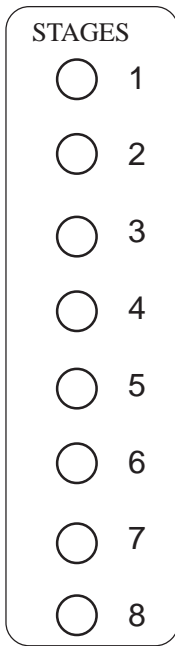
MANUAL OVERRIDE

Internal Switch (S5) Output Override can be used to manually override the Micro-controller control as long as the Electronic Boiler Control circuit board has 24 VAC power. See Output Over-Ride Switch (S5) above.

Y-SERIES ELECTRONIC BOILER CONTROL MODULE



Panel with Clock & LCD
Y-5 Configuration Shown



INDICATOR LIGHTS

STAGE INDICATORS

The pump driver and each of the output stages' drivers has its own LED indicator. Each of these LEDs is lit whenever the corresponding output relay is energized.

○ PUMP

PUMP INDICATOR

The Pump Indicator is illuminated whenever the pump circuit and pump relay are energized.

○ CALL FOR HEAT

CALL FOR HEAT INDICATOR

The Call For Heat Indicator is illuminated whenever a call for heat signal is present. In most applications the thermostat connections on the control board (pg. 13) will be jumpered, which will generate a continuous call for heat signal. The thermostat leads may also be connected to a building management system which will produce the call for heat signal as required.

○ CONTROL ON

CONTROL ON INDICATOR

The Control On Indicator illuminates if all settings and system conditions are such that the control can function properly, and outdoor temperature cutoff temperature setting is less than or equal to the outdoor temperature.

○ SETTING ERROR

SETTING ERROR INDICATOR

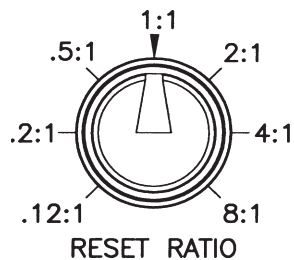
The Setting Error Indicator is illuminated if there is a potentiometer, switch setting or jumper placement error. Refer to Troubleshooting Guide "Setting Error LED Is On".

○ SENSOR ERROR

SENSOR ERROR INDICATOR

The Sensor Error Indicator is illuminated if either temperature sensor is out of range. Steady on represents outdoor sensor failure, blinking represents water temperature sensor error. See "Sensor Error LED On" in the Troubleshooting Guide (pg. 29).

CONTROL FUNCTIONS



RESET RATIO

The Reset Ratio setting determines how much the Target Temperature will increase as the outdoor temperature drops. The Reset Ratio is expressed in the following manner:

$$X:Y \quad X - \text{change in outdoor temperature} \\ Y - \text{change in Target Temperature}$$

The first number in the ratio refers to the change in outdoor temperature in degrees Fahrenheit below outdoor cutoff while the second refers to the change in the computed Target Temperature in degrees Fahrenheit. A Reset Ratio of 2:1 means that for every 2°F drop in outdoor temperature from 70°F, the Target Temperature will increase 1°F.

For example:

Assume a Reset Ratio setting of 2:1 and a Set Point of 120°F.

When the outdoor temperature drops from 70°F to 20°F, the Target Temperature will increase from 120°F to 145°F. (With an outdoor to target ratio of 2:1, a 50°F outdoor temperature decrease results in a 25°F Target Temperature increase). See Reset Ratio Chart (pg. 20) for more information.

The Reset Ratio is adjustable from 0.12:1 to 8.0:1.

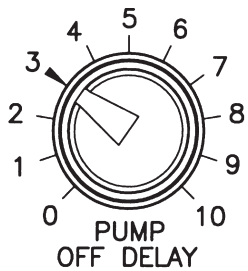
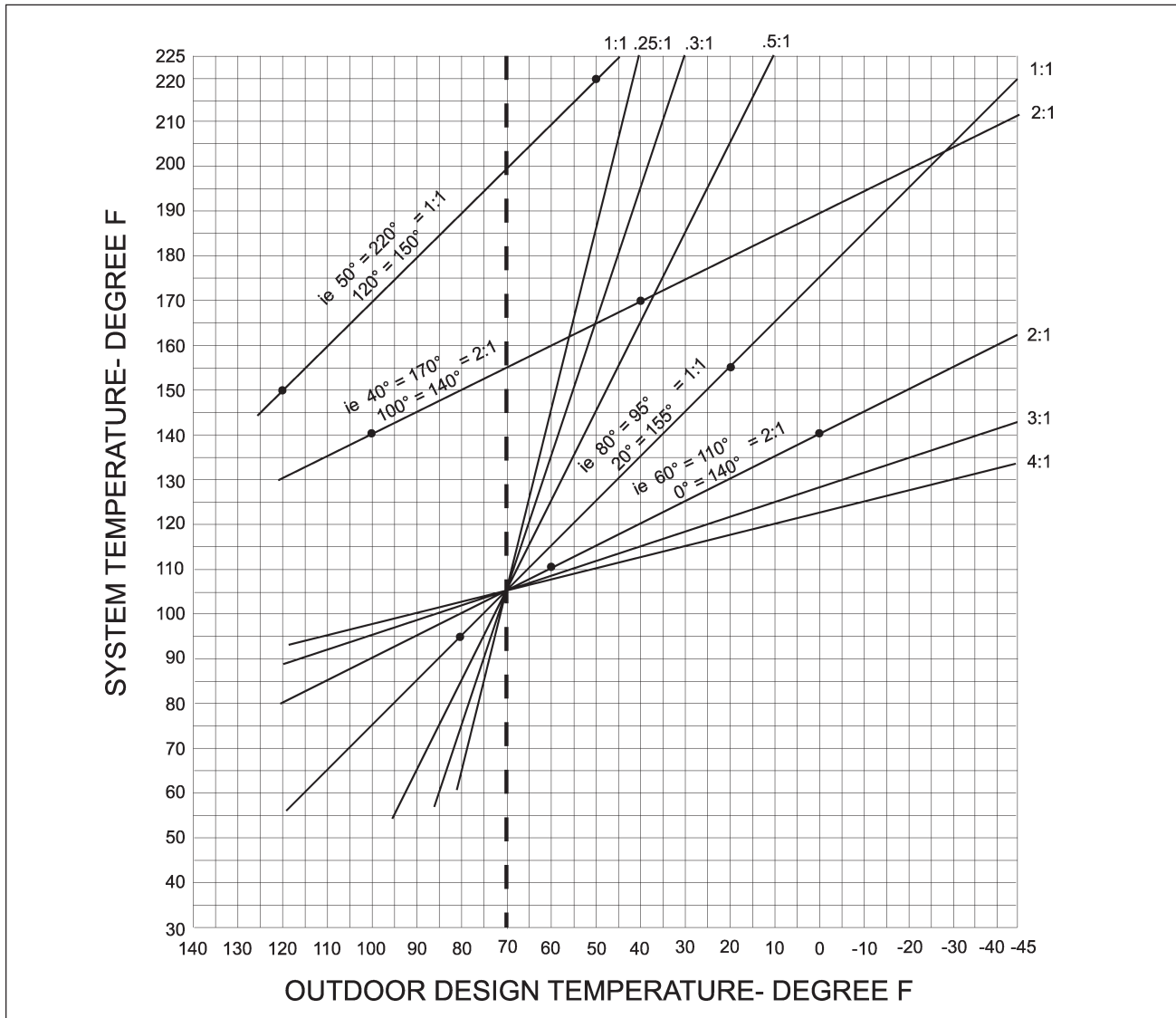
Recommended Initial Setting for Reset Ratio is 1:1.

Suggested Settings

<i>RADIATION</i>	Typical		Reset Ratio Setpoint at Design Temp:			
	Temp @ Design Cond.	Temp. @ 70°F	40°F	20°F	0°F	- 20°F
Standing	190	105	0.3:1	0.6:1	0.8:1	1.1:1
Convection or Baseboard	200	105	0.3:1	0.5:1	0.7:1	0.9:1
Fan Coil - Heating	190	105	0.3:1	0.6:1	0.8:1	1.1:1
Fan Coil - Heat & Cool	140	105	0.9:1	1.4:1	2.0:1	2.6:1
Radiant Floor	120	105	2.0:1	3.3:1	4.7:1	6.0:1
Radiant Ceiling	120	105	2.0:1	3.3:1	4.7:1	6.0:1

The selection of the correct ratio is dependent on the initial temperature Set Point and the desired system water temperature. If the building is too cold, move the ratio knob counter-clockwise one setting. After a change is made to the ratio, wait several days and evaluate the comfort level before making another change.

RESET RATIO CHART



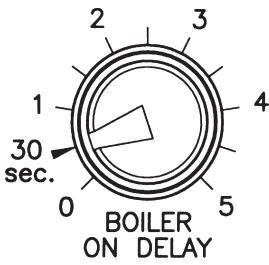
PUMP TURN-OFF DELAY

The Pump Turnoff Delay works in conjunction with the Outdoor Cutoff Temperature.

The Pump Turnoff Delay sets the delay between the time when the Outdoor Cutoff Temperature is reached and the time when the pump is turned off.

The Pump Turnoff Delay is adjustable from 0 to 10 min.

Recommended Initial Setting for Pump Off Delay is 3 min



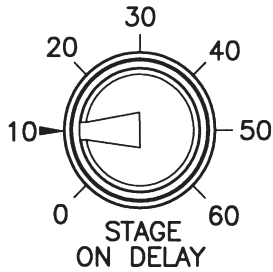
BOILER TURN-ON DELAY

In a multiple boiler system:

The Boiler Turn-On Delay sets the time delay before each additional boiler is turned on in response to a call for heat. This delay starts when the preceding boiler is turned on.

The Boiler Turn-On Delay range is from 0 to 5 min.

Recommended Initial Setting for Boiler Turn-On Delay is 30 sec.

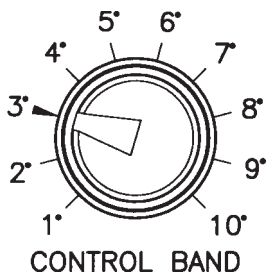


STAGE TURN-ON DELAY

The Stage Turn-On Delay sets the time delay before a new stage in a multistage boiler configuration is turned on. This delay starts when the stage or boiler preceding the next stage is turned on.

The Stage Turn-On Delay range is from 0 to 60 sec.

Recommended Initial Setting Stage for Turn-On Delay is 10 sec.

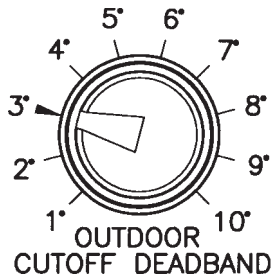


CONTROL BAND

The Control Band sets the maximum temperature above or below the Target Temperature (which is determined by the embedded micro-controller) between which the system temperature may deviate. This provides a control deadband that limits the boiler from short-cycling.

The Control Band range is from 1°F to 10°F.

Recommended Initial Setting for Control Band is 3°F.

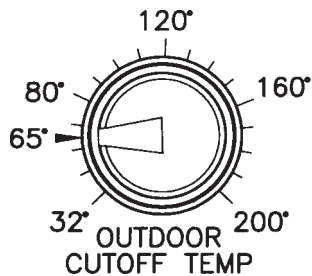


OUTDOOR CUTOFF DEADBAND

The Outdoor Cutoff Deadband sets the number of degrees below the Outdoor Cutoff where the Outdoor Cutoff reset occurs.

The Outdoor Cutoff Deadband range is from 1°F to 10°F.

Recommended Initial Setting for Outdoor Cutoff Deadband is 3°F.

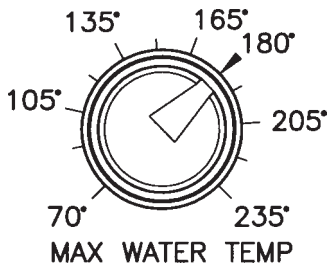


OUTDOOR CUTOFF TEMPERATURE

The Outdoor Cutoff sets the maximum outdoor temperature at which heat is desired. This control sets the outdoor temperature above which the boiler bank is disabled. If the outdoor temperature increases beyond the Outdoor Cutoff setting, the Control ON LED turns off and if there is no call for heat, the pump turn-off delay starts turning off the pump. If the outdoor temperature falls below the Outdoor Cutoff minus the Outdoor Cutoff Deadband the boiler bank will again be enabled.

The Outdoor Cutoff Temperature is from 32°F to 200°F.

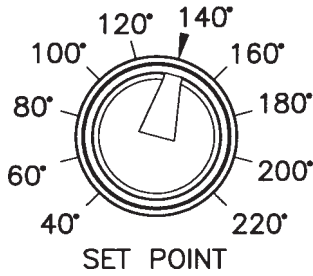
Recommended Initial Setting for Outdoor Cutoff Temperature is 65°F.



MAXIMUM WATER TEMPERATURE

The Maximum Output Temperature is the system output high limit. This potentiometer sets the maximum value the Target Temperature is allowed to reach regardless of other operational settings or conditions.

The Maximum Water Temperature range is from 70°F to 235°F.
Recommended Initial Setting for Maximum Water Temperature is 180°F.



SET POINT

The Set Point is the system output temperature desired when the outdoor temperature is 70°F. This potentiometer may be set to any temperature from 40°F to 220°F, and is the base-line setting for all operations. Note: Set Point cannot be below 105°F in normal operation unless the No Min Set Point switch is in the ON position. (See Mode Selector Switch). In domestic water supply applications, Set Point determines the water temperature maintained by the control.

The Set Point range is from 40°F to 220°F.
Recommended Initial Setting Set for Point is 120°F.

CAUTION: Setting the Set Point below 105°F may cause the boiler to condense which will damage the boiler.

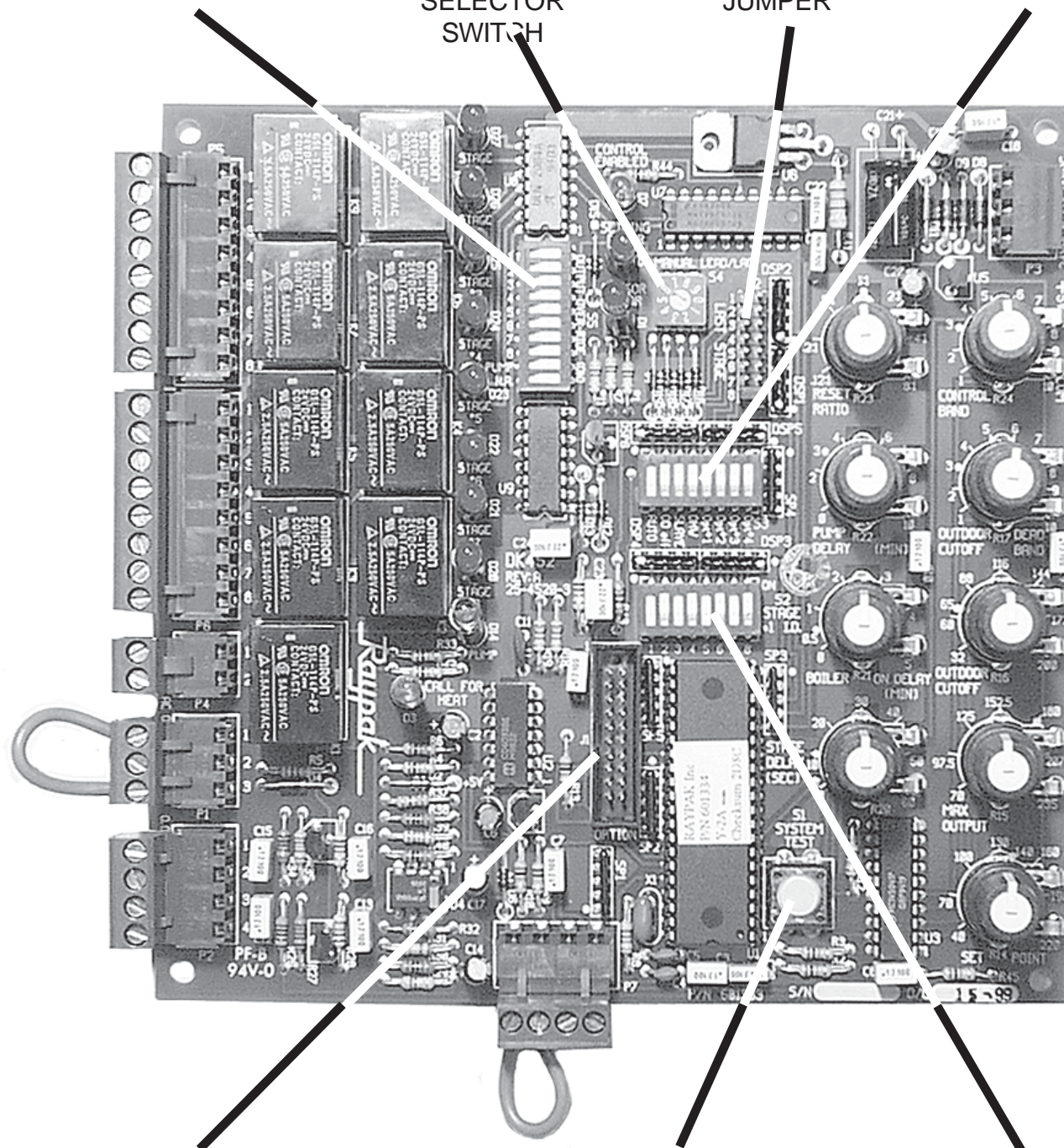
CIRCUIT BOARD

S5 MANUAL BYPASS SWITCH

S4 MANUAL LEAD/ LAG SELECTOR SWITCH

J2 LAST STAGE SELECTOR JUMPER

S3 MODE SELECTOR



MAINTENANCE PLUG TEST

S1 SYSTEM TEST

S2 FIRST STAGE SELECTOR I.D.

SLAVE

Sw #3 - Master/Slave

Off - Designates the Y-Series as a Master Control (Normal)

On - Designates the unit as a slave (used for ganged Y-Series' controlling 9 to 24 firing stages)

DHW

Sw #4 - Outdoor Reset

Off - Minimum allowable Set Point of 105°F reduces potential of condensensing the boiler.

On - Set Point can be reduced to 40°F for special applications (e.g. water source heat pumps, etc.)

Sw #5 - 8 - Reserved

Reserved for future use.

S-4

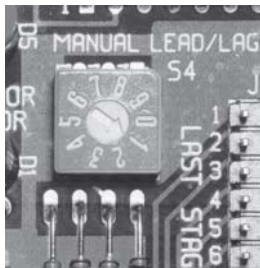


Fig # 9244

MANUAL LEAD-LAG

The Lead-lag Selector Switch (S4) is a ten (10) position rotary switch. **Switch positions 0 and 9 are not used.** In manual lead-lag selection, the Lead-lag Selector is used to select the lead boiler (stage). This is normally shipped from the factory set at position 1. If auto lead-lag is used, do not adjust this switch.

S-5

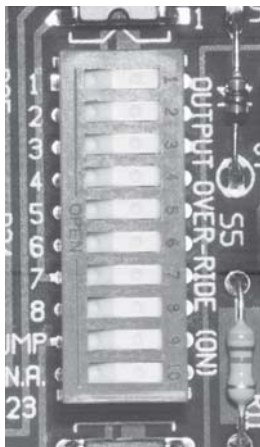


Fig # 9243

OUTPUT OVERRIDE

The Bypass Switches: Switch (S5) is a ten (10) position dip switch. Switch position 10 is not used. The Bypass Switch enables the user to turn on any of the outputs regardless of the current settings and conditions. Switch position 9 will turn on the pump and the remaining eight switches will each override one of the output stages. The pump switch and the output stages switches are interlocked such that the output stages can only be turned on if the pump is on.

S-1

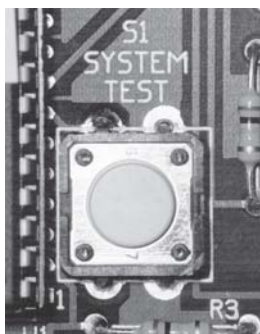
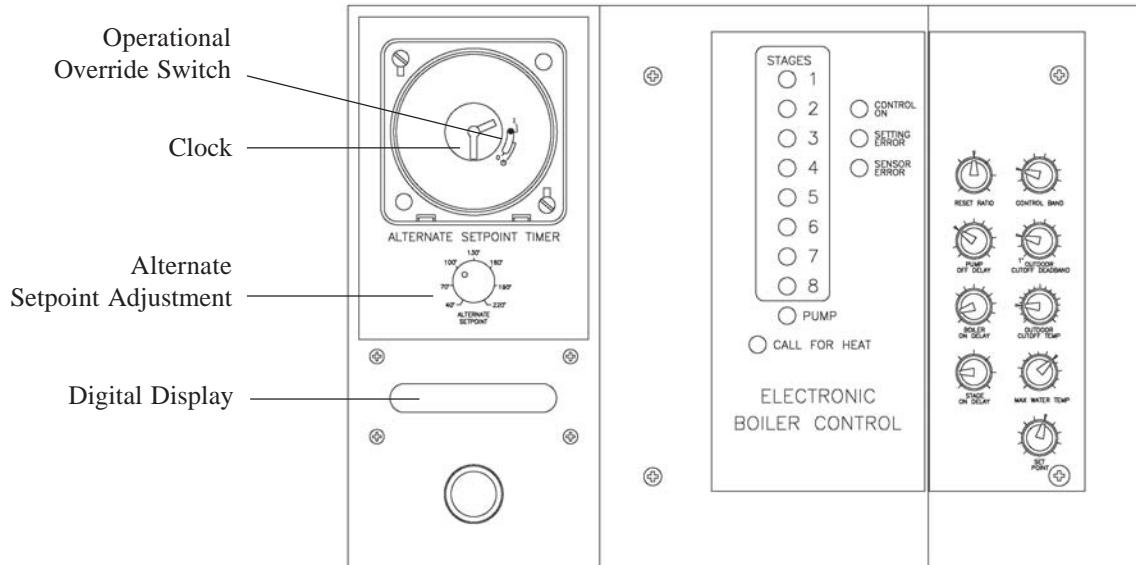


Fig # 9247

SYSTEM TEST

The System Test Switch (S1) is comprised of a single momentary push button switch. When depressed it should cause the Status Indicators to blink five times. This test sequence is an indication of the functioning status of the embedded micro-controller. The Status Indicators revert back to their original indications after the test sequence is completed.

OPTIONAL CONTROLS



Front Panel with Optional Alternate Setpoint

OPTIONAL ALTERNATE SETPOINT OPERATION

The Optional Alternate Setpoint can be used to establish an independent second set point for setback or temperature boost requirements.

TRIPPERS

The electro-mechanical timer consists of 84 small switches called "Trippers" and a 7-day mechanical clock. Each tripper represents a two-hour interval which determines set point selection as shown:

- Tripper Pushed In = Normal Setpoint Operation
- Tripper Pushed Out = Alternate Setpoint Operation

OPERATION OVERRIDE SWITCH

The Operation Override Switch is a three-position switch that determines if the trippers select the Setpoint, or if either the normal Setpoint or Alternate Setpoint is continuously selected. The Operation Override Switch can be set as follows

- I - Alternate Setpoint selected continuously
- L - Trippers determine selected set point
- O - Normal Setpoint select continuously

NIGHT SETBACK OPTION:

MECHANICAL CLOCK (7-DAY)

Set to the appropriate local time.

Note: Turn the numbered dial clockwise to set time.

ALTERNATE SET POINT

Works independently of normal Setpoint. See discussion of Setpoint for details. Set to appropriate setback or boost temperature. Turn the knob in the night setback option to the desired alternate setpoint.

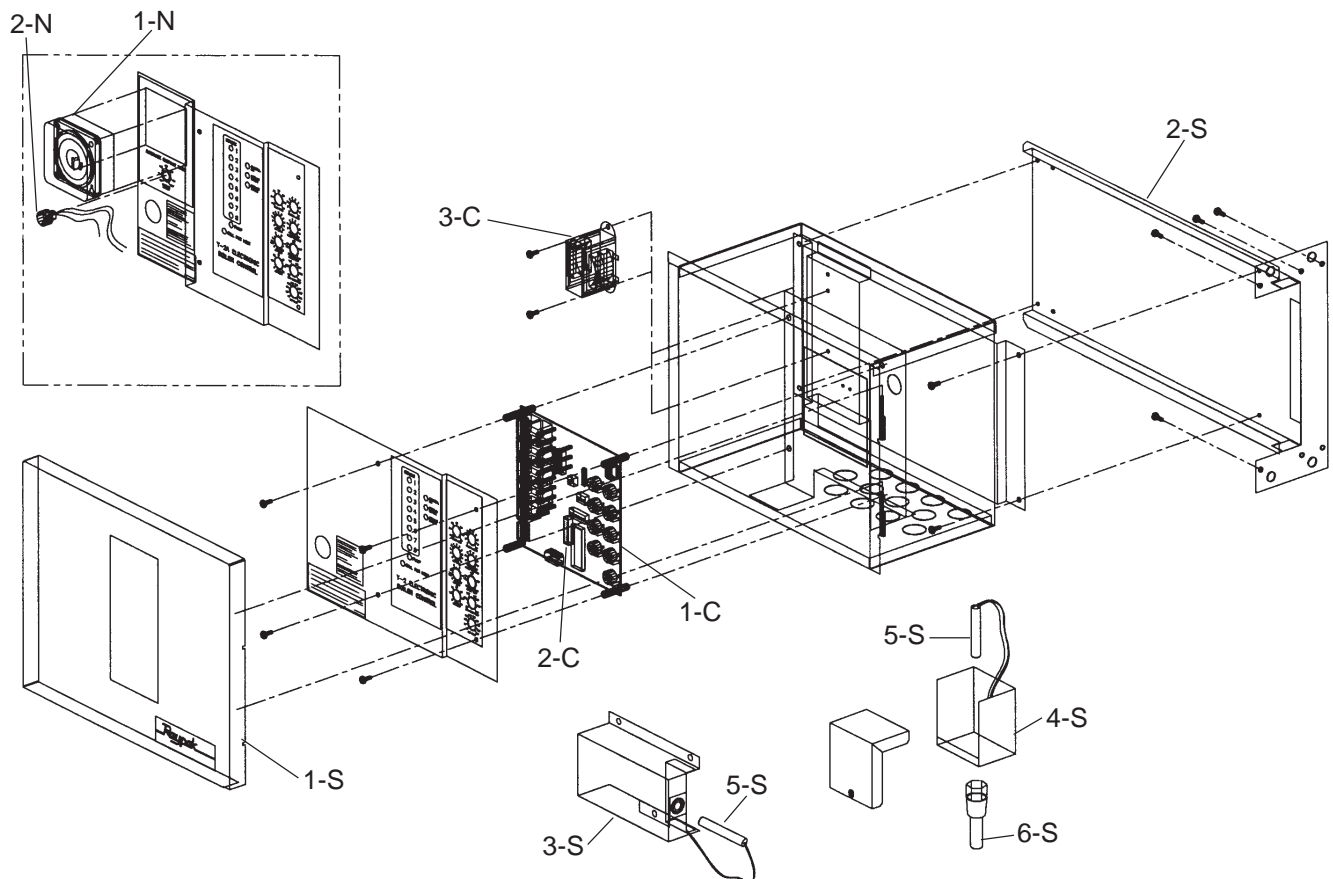
DIGITAL DISPLAY OPTION:

LCD DISPLAY PANEL

The optional LCD display will indicate all values plus calculated target temperature and actual air and water temperature.

REPLACEMENT PARTS LIST

CALL OUT	DESCRIPTION	PART NO
1-C	PC Board Standard PC Board w/ Night Set Back	006039F 006034F
2-C	Programmed Eprom Programmed Eprom W/ Night Set Back	005764F 006031F
3-C	Transformer	005657F
1-S	Door w/Window	N/A
2-S	Side Mount Bracket	005654F
3-S	Air Temperature Sensor Complete	005700F
4-S	Water Temperature Sensor Complete	005701F
5-S	Air/Water Temperature Sensor	005299B
6-S	Well Assembly	004821F
1-N	Timer	006033F
2-N	Alternate Setpoint Adjustment	006032F



SYSTEM START-UP SETTINGS

SYSTEM SETTING ENTERED ON DATE:

Front panel control potentiometers (knobs)

Reset Ratio: _____

Default Value: 1:1

Control Band: _____

Default Value: 3°F

Pump off Delay: _____

Default Value: 3 min.

Outdoor Cutoff Deadband: _____

Default Value: 3°F

Boiler on Delay: _____

Default Value: 30 sec.

Outdoor Cutoff Temp.: _____

Default Value: 65°F

Stage on Delay: _____

Default Value: 10 sec.

Max Water Temp.: _____

Default Value: 180°F

Set Point: _____

Default Value: 140°F

Optional Alternate Set Point _____

INTERIOR JUMPER & SWITCH SETTINGS:

Last Stage (J2)

Output ON Switch (S2)

Mode Selector Switch (S3)

Lead-Lag Switch (S4)

Bypass Switch (S5)

TROUBLESHOOTING GUIDE

In normal operating conditions, the Status Indications should be observed as follows:

Control Enabled	ON (lit)
Sensor Error	OFF
Setting Error	OFF

If the outdoor sensor fails and all other operating conditions remain the same, the control will remain on but it will function as if the 70°F defeat mode is enabled. The following Status Indications should be observed:

Control Enabled	ON (lit)
Sensor Error	ON (lit)
Setting Error	OFF

If a different LED status is observed other than those described above, use the following detailed descriptions as a guide:

If Control Enabled LED is OFF

Possible Causes:

1. The output temperature sensor is out of range. The Sensor Error LED should be on. See below for details on the Sensor Error LED.
2. There is a setting error. The Setting Error LED should be on. See below for details on the Setting Error LED.
3. The outdoor temperature is higher than or equal to the outdoor cutoff setting less the outdoor cutoff deadband setting.

Sensor Error LED is ON or blinking ON/OFF once per second

Possible Causes:

LED ON steady: Outdoor (air) sensor is out of range.

LED blinking ON/OFF once per second: Output (water) sensor is out of range.

1. Examine wiring, ensure continuity from Y-Series to sensor(s).
2. Use a multimeter, measure resistance of sensor(s) compare with table below:

SENSOR RESISTANCE AT VARIOUS TEMPERATURES									
TEMP									
Deg F	40	50	60	70	80	90	100	110	120
Resistance (K)	26.11	19.90	15.31	11.88	9.30	7.33	5.83	4.66	3.76
TEMP									
Deg F	130	140	150	160	170	180	190	200	210
Resistance (K)	3.06	2.48	2.04	1.69	1.40	1.17	0.98	0.83	0.70

3. If all okay, replace Y-Series Boiler Control Board.

Setting Error LED is ON

Possible Causes:

1. The Maximum Output Temperature setting is less than the Minimum Output Temperature setting.
2. The last stage selection is invalid. Either there is no stage selected or more than one stage is selected.
3. The first output stage is not selected as a stage #1. The first output stage should be set as a stage #1 in all cases.
4. In manual mode, the lead-lag selection is invalid (0 or 9).
5. In manual mode, the lead-lag selection is higher than the last stage.
6. In manual mode, the stage selected as the lead-lag is not set as a stage #1.

LIMITED WARRANTY
B6000, Y-Series, E-4 & Accessories

SCOPE OF WARRANTY

Raypak, Inc. ("Raypak") warrants to the original owner the Control System to be free from defects in materials and workmanship under normal use and service for the applicable warranty period. In accordance with the terms of this Limited Warranty, RAYPAK will furnish a replacement or repair, at our option, any defective part which fails in normal use and service during the applicable warranty period. The replacement or repair will be warranted for only the unexpired portion of the original Warranty Period.

APPLICABLE WARRANTY PERIOD

The effective date of warranty coverage is the date of original installation, of the Control System, by a qualified electrician or by a RAYPAK authorized service technician. The Applicable Warranty Period is one (1) year from the effective date.

WARRANTY EXCLUSIONS

This Limited Warranty does not apply:

1. if the control system is not properly installed by a qualified technician in accordance with manufacturer's installation instructions, applicable codes, ordinances and good trade practices,
2. to damage or malfunctions resulting from failure to properly install, operate or maintain the system in accordance with the manufacturer's instructions;
3. if the rating plate(s) or serial number(s) are altered, defaced or removed;
4. if the System is modified in any way or used with any non-factory authorized accessories or components;
5. to damage or failure from abuse, accident, act of nature, fire, flood, freezing or the like;
6. to accessories, rubber or plastic parts, light bulbs or glass parts;
7. if the System is moved from its original installation site; or if the original owner no longer owns the site or the System.

LABOR AND SHIPPING COSTS

This Limited Warranty does not cover labor costs for service, removal or reinstallation of any part nor shipping charges to or from RAYPAK'S designated repair center or to or from the installation site. All such costs are your responsibility.

HOW TO MAKE A WARRANTY CLAIM

To make a warranty claim, promptly ship (postage prepaid) or carry the defective part to a designated RAYPAK Service Dealer or Service Station in the United States, supplying proof of purchase and date of installation and the model and serial numbers. If you cannot locate a dealer, contact RAYPAK'S Service Department at the address/telephone listed below. Raypak reserves the right at all times to inspect the claimed defect and verify warranty coverage at its factory.

EXCLUSIVE WARRANTY - LIMITATION OF LIABILITY

This is the only warranty given by RAYPAK. No one is authorized to make any other warranties on Raypak's behalf. **ANY IMPLIED WARRANTIES, INCLUDING MERCHANTABILITY OR FITNESS FOR A PARTICULAR PURPOSE, SHALL NOT EXTEND BEYOND THE APPLICABLE WARRANTY PERIOD SPECIFIED ABOVE. RAYPAK'S SOLE LIABILITY WITH RESPECT TO ANY DEFECT SHALL BE AS SET FORTH IN THIS LIMITED WARRANTY. ANY CLAIMS FOR INCIDENTAL OR CONSEQUENTIAL DAMAGES (INCLUDING DAMAGE FROM WATER LEAKAGE) ARE EXCLUDED.** Some states do not allow limitations on how long an implied warranty lasts, or for the exclusion of incidental or consequential damages, so the above limitation or exclusion may not apply to you.

THIS LIMITED WARRANTY GIVES YOU SPECIFIC LEGAL RIGHTS, AND YOU MAY ALSO HAVE OTHER RIGHTS WHICH VARY FROM STATE TO STATE.

We suggest you immediately complete the information below and retain this Limited Warranty Certificate in case warranty service is needed.

RAYPAK, INC. SERVICE DEPARTMENT

2151 Eastman Avenue, Oxnard, California 93030
Telephone: (805) 278-5300 FAX (805) 278-5468

The following information must be provided when you write or call:

Original Owner

Daytime Telephone Number

Complete Mailing Address

City

State

Zip Code

Installation Site

Model Number

Contractor/Installer

Date of Installation

Serial Number

Raypak, Inc., 2151 Eastman Ave, Oxnard, CA 93030 (805) 278-5300 Fax (805) 278-5468

Litho in U.S.A.



www.raypak.com

Raypak, Inc., 2151 Eastman Avenue, Oxnard, CA 93030 (805) 278-5300 Fax (800) 872-9725
Raypak Canada Limited, 2805 Slough St., Mississauga, Ontario, Canada L4T 1G2 (905) 677-7999 Fax (905) 677-8036

Litho in U.S.A.

Free Manuals Download Website

<http://myh66.com>

<http://usermanuals.us>

<http://www.somanuals.com>

<http://www.4manuals.cc>

<http://www.manual-lib.com>

<http://www.404manual.com>

<http://www.luxmanual.com>

<http://aubethermostatmanual.com>

Golf course search by state

<http://golfingnear.com>

Email search by domain

<http://emailbydomain.com>

Auto manuals search

<http://auto.somanuals.com>

TV manuals search

<http://tv.somanuals.com>