

# RESIDENTIALS

Inputs from

**42,000** thru **180,000** BTUH

- Radiant Heating
- Hydronic Space Heating
- Snow Melting

### Firing Mode

Models 42 & 66 – Single-stage firing

Models 90-180 – 2-stage firing

### Non-Condensing

Operates at 105 °F return water temperature without condensing – perfect for the low-temperature needs of radiant floor and snow melting systems

### Built-In Pump and Bypass

Offers maximum application flexibility

### Honeywell IID Ignition

Standard S8600 IID eliminates off-cycle fuel consumption; Standing pilot available on Models 90-180

### “Spark-To-Hood” Pilot

Eliminates erratic pilot ignition and lockout

### Motorized Vent Damper

Prevents heat loss during off-cycles

### **Radiant Ready**

### Non-Ferrous Waterways Option

All bronze pump and fittings and glass-lined headers eliminate boiler oxygen permeation problems associated with non-barrier radiant tubing

### Outstanding Warranty

One-year parts and service warranty against defects



# Residentials - Models 42 - 180

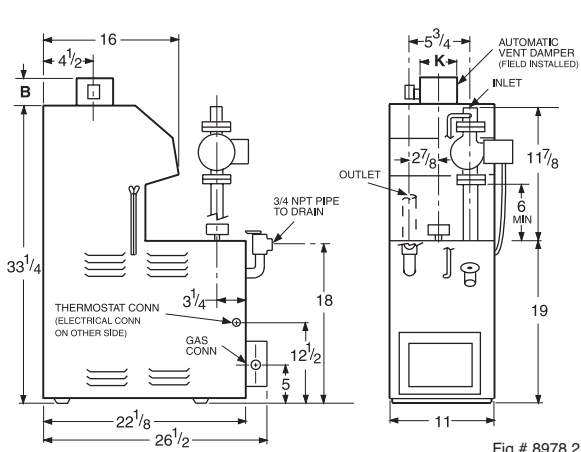


Fig # 8978.2

0042 thru 0090

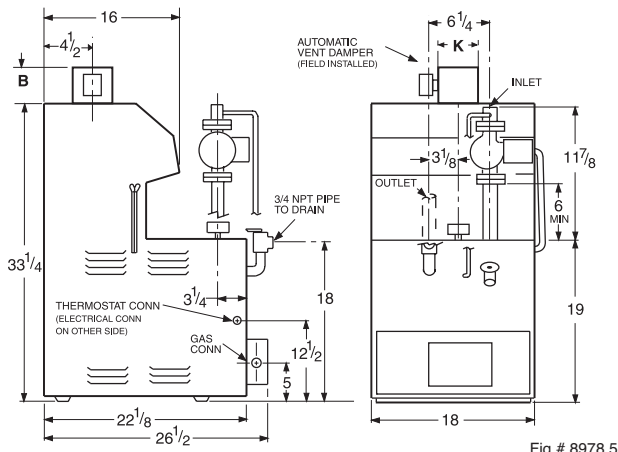


Fig # 8978.5

0135 thru 0180

**AFUE Ratings**  
Tested with IID ignition and vent damper.

Model	AFUE
H-0042	84.0
H-0066	83.0
H-0090	83.0
H-0135	83.0
H-0180	83.0

Results for standing pilot models available.

Model	Input MBTUH	Heating Capacity MBTUH	Net Water Rating MBTUH	Piping Connections		B	Vent Diameter K	Approx Shipping Weight (lbs)	Clearances						
				Water NPT	Gas NPT				Floor	Front	Rear	Right Side	Left Side	Top	Flue Vent
H-0042	42	35	30	1"	1/2"	5 1/2"	4"	95	Combustible	4"	6"	6"	6"	16"	6"
H-0066	66	54	47	1"	1/2"	5 3/4"	5"	105	Combustible	4"	6"	6"	6"	16"	6"
H-0090	90	74	64	1"	1/2"	5 3/4"	5"	105	Combustible	Alcove	6"	6"	6"	16"	6"
H-0135	135	109	95	1 1/4"	1/2"	6 1/4"	6"	135	Combustible	Alcove	6"	6"	6"	16"	6"
H-0180	180	148	129	1 1/4"	1/2"	8"	7"	140	Combustible	Alcove	6"	6"	6"	16"	6"

Ratings shown are for elevations up to 2,000 feet. For elevations over 2,000 feet, ratings should be reduced 4% for each 1,000 feet above sea level. A front clearance of at least 24 inches is recommended for adequate service of burner tray and controls. Circulator provided is not always suitable for systems having high resistance. Consult data sheet for maximums. Complete installation dimensions available, see catalog # 2100.20.

**The Raypak Residentials** With five sizes to choose from, there is a copper fin tube Residential for every home, apartment or condominium. Small enough to fit almost any space and fuel efficient for utility savings. Easy to install and service because it's complete right out of the box. Reliable because it's a Raypak.

## Safe

- Over-temperature protection device with LED display instantly shuts down boiler in a no-flow condition.
- Safety features shut boiler down in the event of a blocked flue or heat exchanger.
- ASME heat exchanger is inspected and stamped for 160 psi operating pressure.
- 30 psi pressure relief valve.

## Easy to Install

- Lightweight; All sizes transportable by one person.
- Weight of the largest model is 140 lbs., compared to an equivalent cast iron boiler at over 300 lbs.
- One carton contains all components.
- Piping and wiring located at front.



**Raypak, Inc.**  
2151 Eastman Avenue • Oxnard, CA 93030  
805-278-5300 • Fax 800-872-9725  
www.raypak.com



## Free Manuals Download Website

<http://myh66.com>

<http://usermanuals.us>

<http://www.somanuals.com>

<http://www.4manuals.cc>

<http://www.manual-lib.com>

<http://www.404manual.com>

<http://www.luxmanual.com>

<http://aubethermostatmanual.com>

Golf course search by state

<http://golfingnear.com>

Email search by domain

<http://emailbydomain.com>

Auto manuals search

<http://auto.somanuals.com>

TV manuals search

<http://tv.somanuals.com>