



Sidewall Vent
Category III



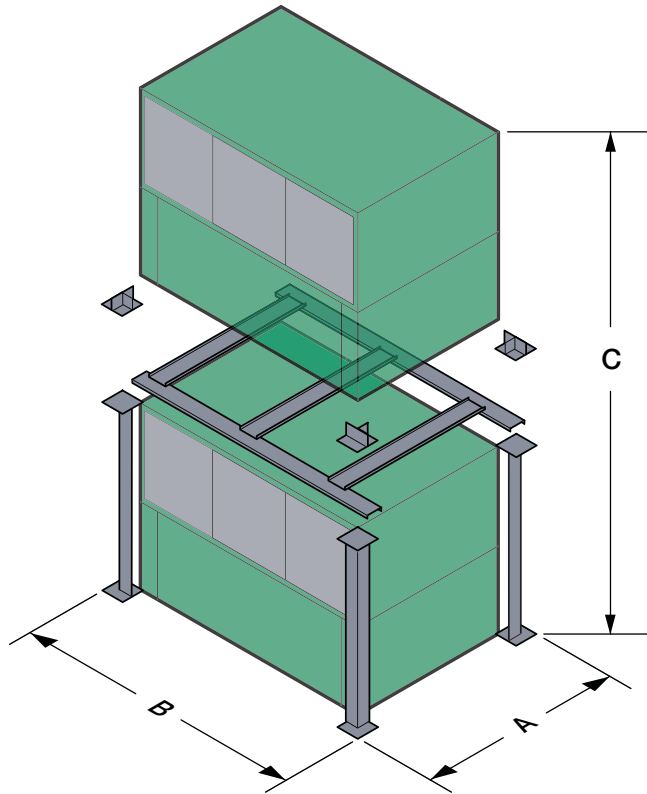
Vertical Venting
Category I (Type B)



- For vertical stacking of two Raypak HI DELTA® boilers
- For boiler sizes 300,000 BTUH through 2,340,000 BTUH

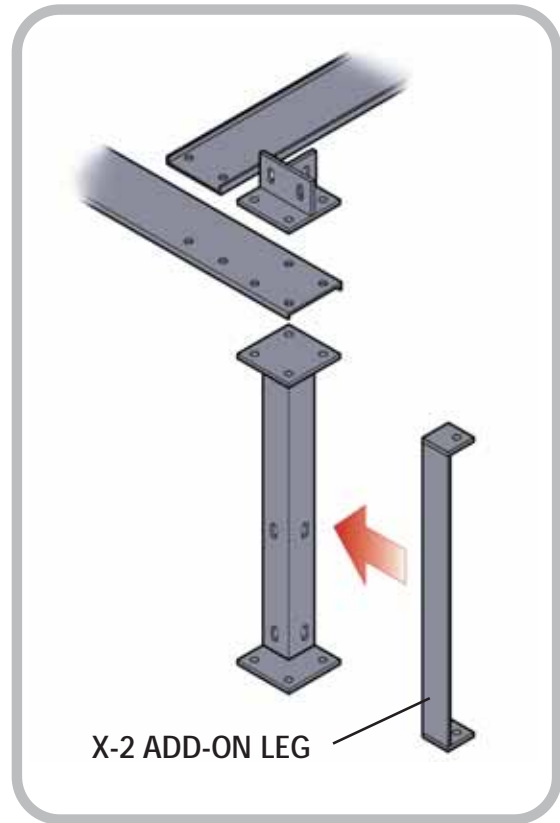
- Two-Boiler Vertical Stack
- No Vent Offset Required
- Small Footprint
- Fits in Low-Ceiling Room
- Heavy-Duty Construction
- Seismic Approval (up to Zone 4)
- Easy Assembly
- All Hardware Included
- Still Allows for Complete Servicing





X-1 RACK KIT

Standard rack kit for ground-level installations



X-2 ADD-ON KIT

For Zone 4 above-ground installations

Hi Delta Models	X-1 Part Number	X-2 Part Number	A	B	C
302	006906	007046	30	41-1/4	72-1/4
402	006907		30	48-1/4	72-1/4
502	006908		30	55-1/4	72-1/4
652	006909		30	65-3/4	72-1/4
752	006910		30	72-3/4	72-1/4
902	006911		30	83-1/4	72-1/4
992	011536	007053	37-1/2	64-1/8	87-1/2
1262	011564		37-1/2	75-1/2	87-1/2
1532	011565		37-1/2	87	87-1/2
1802	011566		37-1/2	98-1/8	87-1/2
2002	011567		37-1/2	109-1/2	87-1/2
2072	011567		37-1/2	109-1/2	87-1/2
2342	011568		37-1/2	121	87-1/2

SEISMIC INFORMATION				
Hi Delta Model	Seismic Zone 3		Seismic Zone 4	
	Ground Level	Above Ground	Ground Level	Above Ground
302 thru 902	Standard X-1 Kit		Standard X-1 Kit	Add X-2 Kit
992 thru 2342	Standard X-1 Kit		Add X-2 Kit	

Kit contains all assembly hardware.

For submittal information, see Catalog No. 1000.92

Free Manuals Download Website

<http://myh66.com>

<http://usermanuals.us>

<http://www.somanuals.com>

<http://www.4manuals.cc>

<http://www.manual-lib.com>

<http://www.404manual.com>

<http://www.luxmanual.com>

<http://aubethermostatmanual.com>

Golf course search by state

<http://golfingnear.com>

Email search by domain

<http://emailbydomain.com>

Auto manuals search

<http://auto.somanuals.com>

TV manuals search

<http://tv.somanuals.com>