

Job: _____
Engineer: _____
Contractor: _____
Prepared By: _____ Date: _____

D-2 Power Vent

For Pool & Spa Heaters
Models 206-407

Versatile

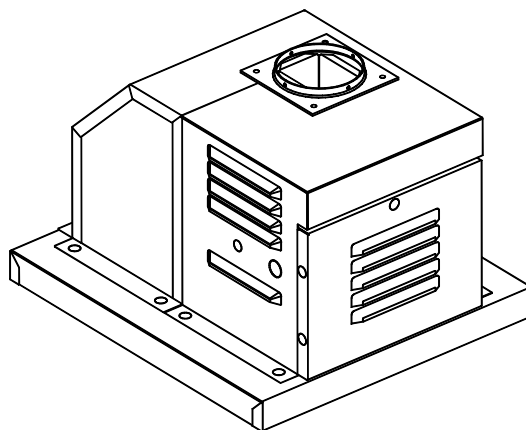
- For use with pool and spa heaters
- Permits sidewall venting
- Allows use of vent pipe as small as 4 in. diameter

Efficient

- Maintains thermal efficiency of 82% on all heater sizes

Multi-Position Capability

- 90° elbow can be rotated to align fan discharge with vent pipe and reduce the number of fittings required



Features

- Induced draft
- Vent (Category III) runs up to 100 ft. equivalent length
- Plenum sized for appliance capacity
- Air flow proving switch, mounted and wired
- Fan motor relay, mounted and wired
- 240/120 Volt, 60 Hz, 1.95/1.0 Amp, 130 CFM Max., 3200 RPM motor; Factory-wired for 240 Volt
- 90° elbow is used as a termination cap for horizontal venting
- Heavy-duty galvanized steel cabinet
- PolyTuf textured powder coat finish
- Indoor/Outdoor construction
- Easy installation
- Limited one-year warranty
- Shipped loose for field mounting

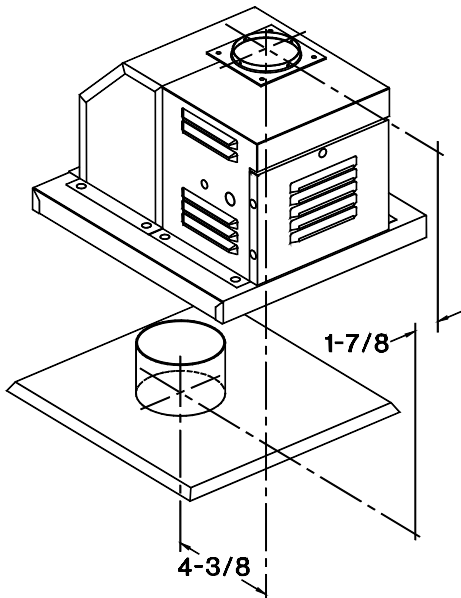
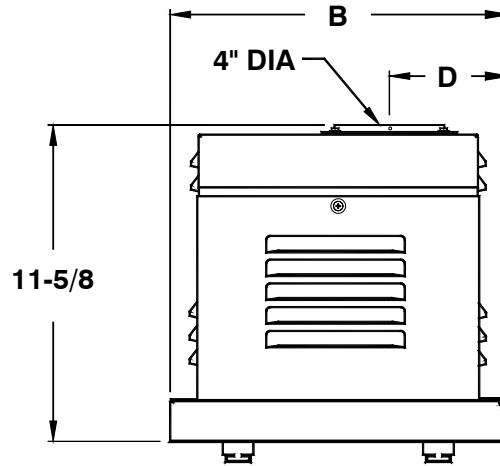
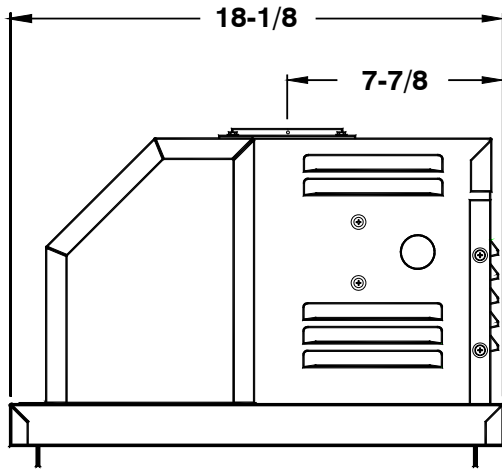


Raypak
A Rheem Company

D-2 Power Vent

For Heater Models 206-407

Heater Model _____



Heater Model	Power Vent Part No.*	Dimensions (in.)	
		B	D
206/207	009832	12-3/8	4-1/4
266/267	009832	12-3/8	4-1/4
336/337	009833	18-1/8	7-1/4
406/407	009833	18-1/8	7-1/4

* Part numbers are for 240 VAC units.
Consult factory for 120 VAC units.

NOTES:

- All units can exhaust flue gases horizontally or vertically at up to 100 ft. of equivalent length vent pipe
 - 90° elbow = 10 ft. equivalent length
 - 45° elbow = 5 ft. equivalent length
- Vent pipe must meet Category III appliance venting requirements.
- Vent pipe sizes are based on 400°F nominal flue temperature and sea-level operation. For installation under other conditions, please consult the factory.

Free Manuals Download Website

<http://myh66.com>

<http://usermanuals.us>

<http://www.somanuals.com>

<http://www.4manuals.cc>

<http://www.manual-lib.com>

<http://www.404manual.com>

<http://www.luxmanual.com>

<http://aubethermostatmanual.com>

Golf course search by state

<http://golfingnear.com>

Email search by domain

<http://emailbydomain.com>

Auto manuals search

<http://auto.somanuals.com>

TV manuals search

<http://tv.somanuals.com>