

Job: _____
 Engineer: _____
 Contractor: _____
 Prepared By: _____ Date: _____
 Model: _____ Indoor/Outdoor

RP2100™ ASME Series

Atmospheric Pool Heaters
 Models 185B-405B

- ▶ **82% Efficiency**
- ▶ **ASME Code Glass-Lined Cast Iron Headers**
- ▶ **ASME Code Copper Fin Tube**
- ▶ **125 lb. Pressure Relief Valve**
- ▶ **Small Footprint**
- ▶ **Unitherm Governor Anti-Condensation Control**
- ▶ **Internal Bypass for High Flow Rates (up to 125 gpm)**
- ▶ **Indoor/Outdoor**



Digital model with outdoor top shown

Heat Exchanger

- ASME Inspected and Stamped 160 PSIG
- National Board Approved
- Glass-lined Cast Iron Headers
- Finned Tubing
 - Copper – Standard
 - Cupro Nickel – Optional
- ASME Steel Tube Sheet
- Silicone O-Rings
- 125 PSIG Pressure Relief Valve
- Water Connections
 - Right Hand – Standard
 - Left Hand – Field Change
- Flow Configuration – Two-pass

Controls – Millivolt Option

- Standing Pilot Ignition
- Thermopile Generator
- Single Mechanical Sensor
- Flame Rollout Switch
- High Limit Control
- On/Off Switch
- Water Pressure Switch

Controls – Digital Option

- 115/230V, 60Hz, 1 Ph Power Supply
- 115/230/24V Transformer
- 100% Pilot Shut-off; Lockout – Propane units only
- Electronic, Intermittent Ignition Pilot (IID)
- High Limit Control
- On/Off Switch
- Flame Rollout Switch
- Water Pressure Switch
- Dual Electronic Temp Sensor
- Digital Display With Diagnostics

Gas Control Train

- Fuel
 - Natural Gas
 - Propane
- Combination Control Valve
- On/Off Firing
- ANSI Z21.56 Design Certified

Construction

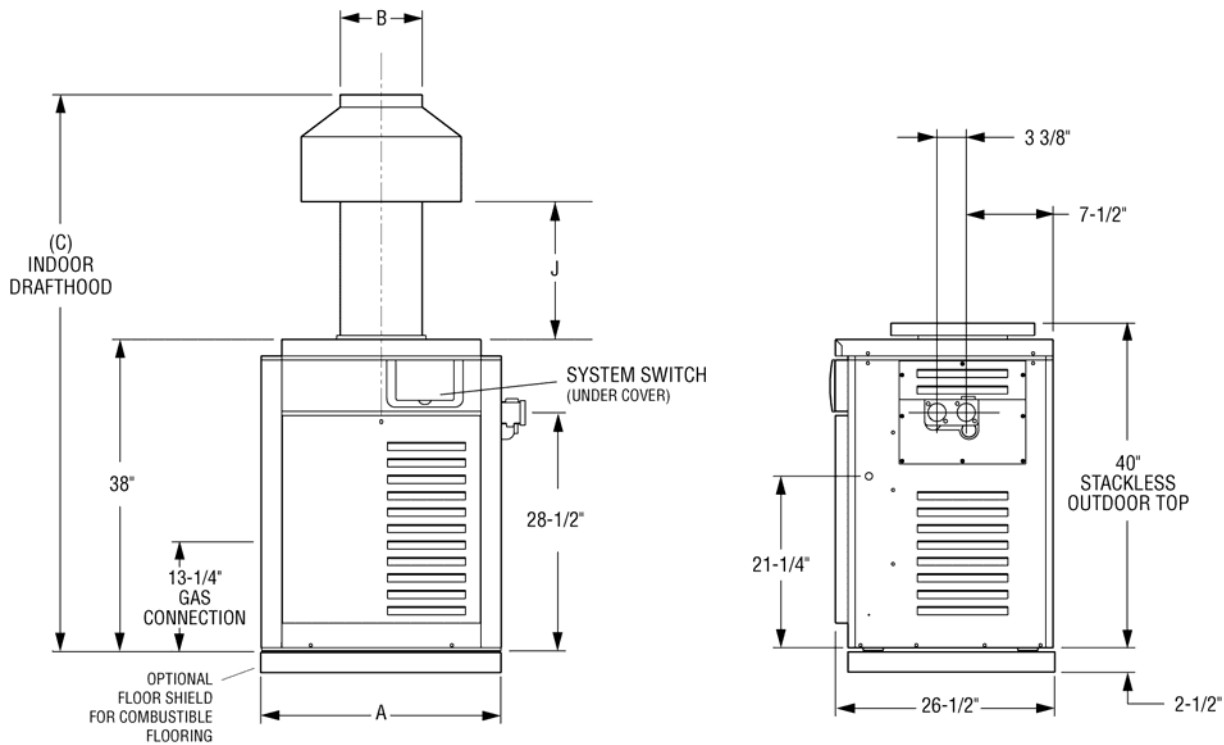
- Front Controls
- Stainless Steel Burners
- Polytuf Powder Coat Finish
- Indoor/Outdoor
- Vent Selection
 - Outdoor Stackless Top – Standard
 - Indoor Draft Diverter– Loose
 - D-2 Power Vent – Loose
- Base (Optional)
 - Combustible Floor Shield



Raypak®
 A Rheem® Company

RP2100 – ASME Series Atmospheric Pool Heaters

Model _____



Heater Model	BTUH Input (000)	(A) Cabinet Width	(B) Flue Dia.	(C) Indoor Drafthood	(J)	Gas Conn.	Water Conn.	Shipping Weights (lbs)	
								Heater with Stackless Top	Indoor Drafthood
R185B	181	18-1/4"	6"	62-5/8"	12-1/16"	3/4"	2"	191	12
R265B	264	22-3/8"	7"	62-7/8"	11-1/8"	3/4"	2"	214	15
R335B	334	25-3/4"	8"	63-3/4"	10-3/4"	3/4"	2"	234	17
R405B	399	29-1/4"	9"	65-3/8"	12-1/2"	3/4"	2"	253	20

NOTES:

Model number suffix indicates pilot type (E = digital, M = millivolt) and fuel type (P = propane, N = natural gas). Prefix "C" indicates Cast Iron (ASME) headers. Example: Model number CR-405B-EN indicates an ASME unit with digital (IID) ignition using natural gas.

Ratings are for natural gas and elevations up to 2,000 feet above sea level. Reduce input 4% for each 1,000 feet above sea level when installed at over 2,000 feet elevation.

Manufactured under Patent No. 3,623,458.

Free Manuals Download Website

<http://myh66.com>

<http://usermanuals.us>

<http://www.somanuals.com>

<http://www.4manuals.cc>

<http://www.manual-lib.com>

<http://www.404manual.com>

<http://www.luxmanual.com>

<http://aubethermostatmanual.com>

Golf course search by state

<http://golfingnear.com>

Email search by domain

<http://emailbydomain.com>

Auto manuals search

<http://auto.somanuals.com>

TV manuals search

<http://tv.somanuals.com>