

HOT WATER STORAGE TANKS

ASME CODE

CUSTOM

115 TO 2590 GALLONS

For larger tanks contact factory

FEATURES

- 125 PSI pressure rating (Standard)
150 PSI pressure rating available
- Vertical (150 PSI optional) or horizontal
- Manhole
- Angle iron legs on vertical tanks
- Saddles available on horizontal tanks
- Available openings in:
 - Threaded
 - Flanged
 - Stainless steel
- Optional double glass lining
- Available linings:
 - Glass
 - Epoxy
 - Cement
- National Board stamped
- Magnesium anodes (Glass lined tanks only)
- Lifting lugs



Vertical tank



Horizontal tank

FOR STOCK ASME CODE TANKS SEE CATALOG NO.

4000.20.1 80-115 GALLONS

4000.21 175 GALLONS

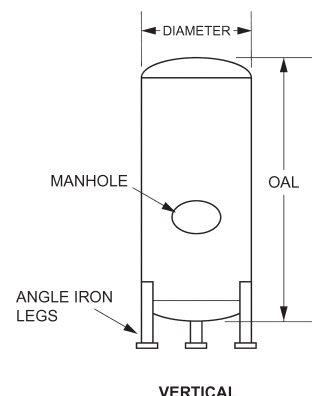
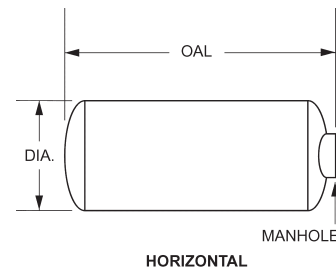
4000.10 235-534 GALLONS

Raypak[®]

A Rheem[®] Company

Custom ASME Code Tanks (115 to 2590 Gallons)

Bare, Vertical and Horizontal					
Item Number	Shell Dimensions DxOAL (inches)	Gallons	Shipping Weight (lbs)		O.D. (Sq. Ft.)
			Glass or Epoxy	Cement	
1	24x63	115	386	N/A	36
2	24x75	139	428	N/A	43
3	30x66	189	487	727	48
4	30x84	235	506	796	58
5	30x90	261	601	921	64
6	36x69	274	597	907	62
7	36x84	335	645	1000	71
8	36x93	379	725	1125	80
9	42x72	390	770	1155	77
10	42x96	534	916	1411	99
11	42x108	606	1000	1550	110
12	48x77	524	1088	1503	83
13	48x89	610	1155	1675	104
14	48x101	712	1271	1811	108
15	48x113	806	1370	1970	120
16	54x90	803	1357	1917	112
17	54x102	922	1478	2108	126
18	60x93	1017	1945	2610	133
19	60x105	1164	2000	2745	149
20	60x117	1311	2146	2976	166
21	60x129	1468	2302	3207	181
22	66x96	1260	2088	2838	150
23	66x108	1438	2281	3116	167
24	66x120	1616	2452	3377	185
25	66x132	1794	2608	3658	210
26	72x123	1953	2892	3982	218
27	72x135	2134	3059	4229	234
28	72x147	2378	3289	4569	256
29	72x159	2590	3479	4849	274



STANDARD FEATURES

- 125 PSI
- Manhole
- National Board stamped
- Lifting lugs
- Red primer coating
- Magnesium Anodes (glass lined)
- Angle iron legs (vertical)

Notes:

1. ASME code certificate may be requested with order.
 2. Anodes cannot be installed in epoxy- or cement-lined tanks.
- Optional:
1. 150 PSI
 2. Saddles mounted or shipped loose on horizontal tanks.

OPTIONS

Connections

Size	Extra (FNPT)	S. Steel	Flange 150#
up to 2"	Y	Y	Y
2-1/2"	Y	Y	Y
3"	Y	Y	Y
4"	N	Y	Y
6"	N	Y	Y

Notes:

1. 4" NPT fittings are not available on glass-lined and 150 PSI tanks. Flanges are required.
2. Stainless steel fittings are recommended on cement tanks.

Raypak, Inc. reserves the right to make product changes or improvements at any time without notice.

RAYPAK, INC. 2151 Eastman Avenue, Oxnard, CA 93030 (805) 278-5300 FAX (800) 872-9725

Litho in U.S.A.

Free Manuals Download Website

<http://myh66.com>

<http://usermanuals.us>

<http://www.somanuals.com>

<http://www.4manuals.cc>

<http://www.manual-lib.com>

<http://www.404manual.com>

<http://www.luxmanual.com>

<http://aubethermostatmanual.com>

Golf course search by state

<http://golfingnear.com>

Email search by domain

<http://emailbydomain.com>

Auto manuals search

<http://auto.somanuals.com>

TV manuals search

<http://tv.somanuals.com>