

POOL

MODELS: ELS 552-2 & 1102-2

CATALOG NO. 9100.90

Effective: 10-28-08

Replaces: 10-21-08

RAYPAK ILLUSTRATED PARTS LIST

MODEL SIZES: ELS 552-2 & ELS 1102-2

MODEL TYPE: ELECTRIC SPA HEATER

DATE OF MANUFACTURE: 11-01-83 THRU CURRENT

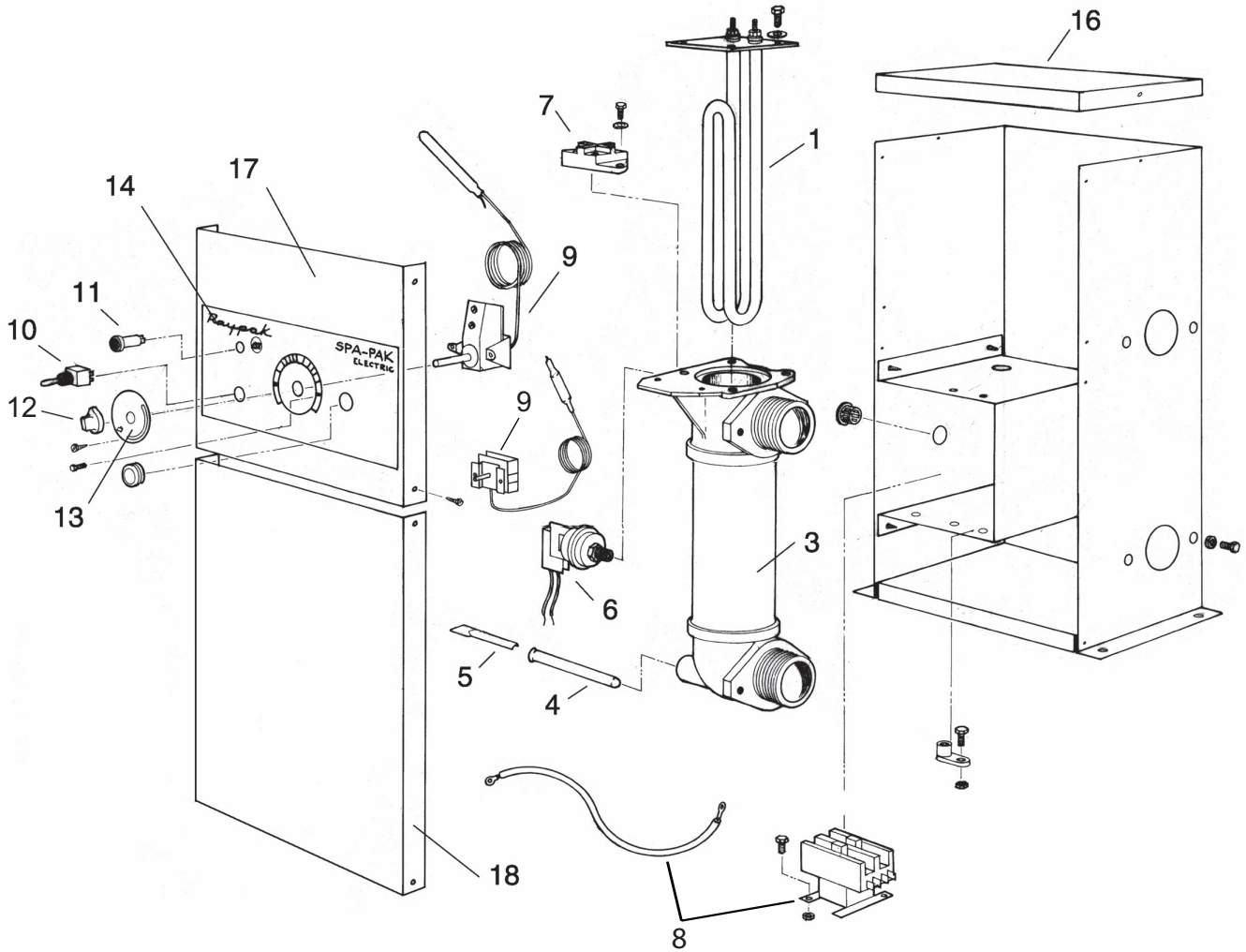
THE PARTS LISTED ARE FOR STANDARD EQUIPMENT FOR THIS MODEL TYPE. RAYPAK RESERVES THE RIGHT TO SUBSTITUTE, DELETE OR CHANGE ANY PART WITHOUT NOTIFICATION. THE ADDITION OF OPTIONS MAY ALSO CHANGE SOME OF THE PARTS. ORDER REPLACEMENT PARTS FROM ACTUAL HEATER COMPONENTS.



FOR DETAILED INSTRUCTIONS, SEE "HOW TO USE YOUR RAYPAK ILLUSTRATED PARTS LIST",
CATALOG NO. 9001.10



Raypak, Inc., 2151 Eastman Avenue, Oxnard CA, 93030
(805) 278-5300 Fax (800) 872-9725
Litho In U.S.A.



	PART DESCRIPTION	ELS 552-2	ELS 1102-2
1	Element	001801F	001802F
2	Element Gasket (Not Shown)	800164	800164
3	Element Tube Assy.	001805F	001808F
4	Sensor Well	004087F	004087F
5	Well Retaining Clip	300203	300203
6	Pressure Switch	062237B	062237B
7	High Limit	001811F	001811F
8	Contacto/Wire Kit	001813F	001813F
9	Thermostat Control	003346F	003346F
10	Toggle Switch	650761	650761
11	Indicator Light	001812F	001812F
12	Knob	006885F	006885F
13	Knobstop	006886F	006886F
14	Dial Plate	900615	900615
15	Wire Kit (Complete)	N/A	N/A
16	Jacket Top	N/A	N/A
17	Upper Front Panel	N/A	N/A
18	Lower Front Panel	N/A	N/A



Registered Quality Management System

www.raypak.com

Free Manuals Download Website

<http://myh66.com>

<http://usermanuals.us>

<http://www.somanuals.com>

<http://www.4manuals.cc>

<http://www.manual-lib.com>

<http://www.404manual.com>

<http://www.luxmanual.com>

<http://aubethermostatmanual.com>

Golf course search by state

<http://golfingnear.com>

Email search by domain

<http://emailbydomain.com>

Auto manuals search

<http://auto.somanuals.com>

TV manuals search

<http://tv.somanuals.com>