

**COMMERCIAL
MODELS: 30A THROUGH 180A**

CATALOG NO. 9300.9
Effective: 02-15-07
Replaces: 07-15-06

RAYPAK ILLUSTRATED PARTS LIST

MODEL SIZES: 30A, 42A, 66A, 90A, 135A & 180A

MODEL TYPE: H

DATES OF MANUFACTURE: MODELS 30A, 42A & 90A 8-1-87 THRU 9-30-90

MODELS 135A & 180A 3-1-88 THRU 9-30-90

MODEL 66A 6-1-89 THRU 9-30-90

THE PARTS LISTED ARE FOR STANDARD EQUIPMENT FOR THIS MODEL TYPE. RAYPAK RESERVES THE RIGHT TO SUBSTITUTE, DELETE OR CHANGE ANY PART WITHOUT NOTIFICATION. THE ADDITION OF OPTIONS MAY ALSO CHANGE SOME OF THE PARTS. ORDER REPLACEMENT PARTS FROM ACTUAL HEATER COMPONENTS.



FOR DETAILED INSTRUCTIONS, SEE "HOW TO USE YOUR RAYPAK ILLUSTRATED PARTS LIST",
CATALOG NO. 9001.10



Raypak, Inc., 2151 Eastman Avenue, Oxnard, CA 93030
(805) 278-5300 Fax (800) 872-9725
Litho In U.S.A.

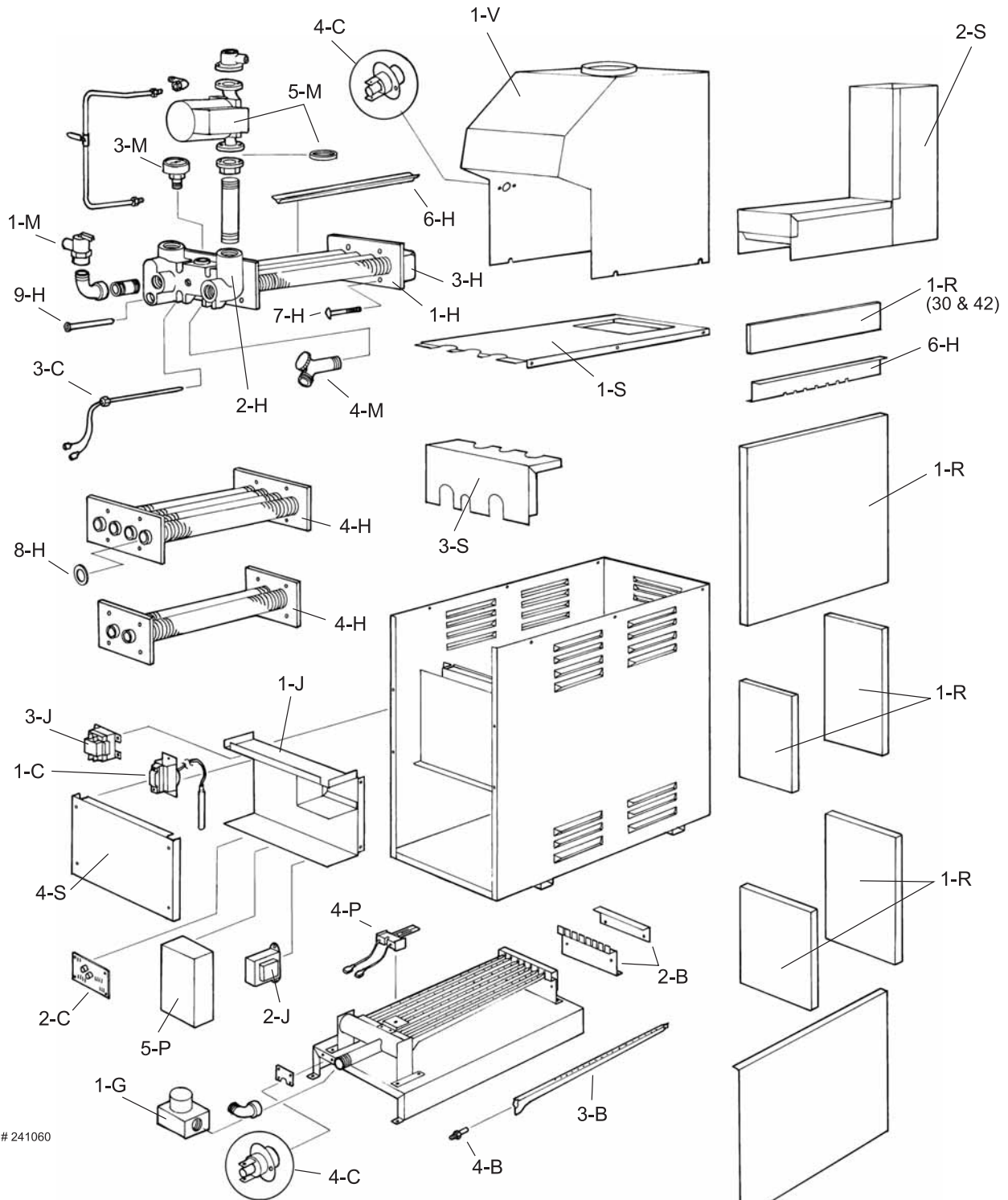


FIG # 241060

HONEYWELL STANDING PILOT

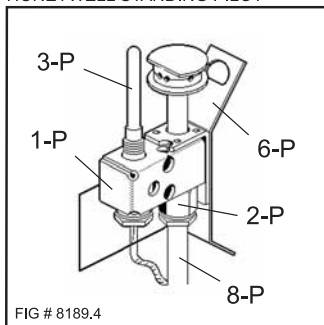


FIG # 8189.4

ROBERTSHAW STANDING PILOT

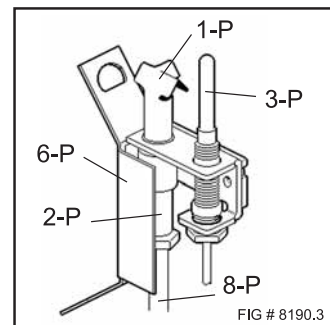


FIG # 8190.3

CALL OUT	DESCRIPTION	30A	42A	66A	90A	135A	180A
B	BURNER TRAY						
1-B	Burner Tray w/oGas Valve (Sea Level) *	003938F	003939F	004513F	003940F	004227F	004228F
2-B	Burner Spacer/Holddown	003941F	003941F	003942F	003942F	004229F	004230F
3-B	Burner	301210/3	301210/3	301210/7	301210/7	301210/11	301210/15
4-B	Burner Orifice Nat (Sea Level) *	350347F/3	350079F/3	350347F/7	350080F/7	350080F/11	350080F/15
	Burner Orifice Pro (Sea Level) *	350353F/3	350083F/3	350353F/7	350350F/7	350351F/11	350351F/15
C	CONTROLS						
1-C	Adj. Auto High Limit	601003	601003	601003	601003	601003	601003
	Staged Controller					601003	601003
2-C	Electronic Fast Sensor w/Probe	003943F	003943F	003943F	003943F	003943F	003943F
3-C	Probe Flow Response	601017	601017	601017	601017	601017	601017
4-C	Roll-Out/Flue Sensor	006021F	006021F	006021F	006021F	006021F	006021F
G	GAS VALVES						
1-G	Combination Valve Nat Std. Honeywell	601009	601009	601009	601009		
	Combination Valve Pro Std. Honeywell	004825F	004825F	004825F	004825F		
	Combination Valve Nat Std. Robertshaw	601009	601009	601009	601009	004824F	004824F
	Combination Valve Pro Std. Robertshaw	004825F	004825F	004825F	004825F	004825F	004825F
	Combination Valve Nat HSI Honeywell	601015F	601015F	601015F	601015F		
	Combination Valve Pro HSI Honeywell	601016F	601016F	601016F	601016F		
	Combination Valve Nat HSI Robertshaw	005095F	005095F	005095F	005095F	004826F	004826F
	Combination Valve Pro HSI Robertshaw	005096F	005096F	005096F	005096F	004827F	004827F
H	HEAT EXCHANGER						
1-H	Heat Exchanger Cast Iron	003945F	003945F	003946F	003946F	004231F	004232F
	Heat Exchanger Brass	N/A	N/A	N/A	N/A	N/A	N/A
2-H	Inlet/Outlet Header Cast Iron	003950F	003950F	003952F	003952F	004235F	004236F
	Inlet/Outlet Header Brass	N/A	N/A	N/A	N/A	N/A	N/A
3-H	Return Header Cast Iron	003954F	003954F	003956F	003956F	004239F	004240F
	Retrun Header Brass	N/A	N/A	N/A	N/A	N/A	N/A
4-H	Tube Bundle ¹	003959F	003959F	003960F	003960F	004243F	004244F
5-H	Heat Exchanger Tube	003961F	003961F	003961F	003961F	003961F	003961F
6-H	Baffle Kit	003963F	003963F	003964F	003964F	004245F	004246F
7-H	Bolt Kit	003965F	003965F	003965F	003965F	004247F	004248F
8-H	Header Gasket	800203B	800203B	800203B	800203B	800203B	800203B
9-H	Sensor Well	007211F	007211F	007211F	007211F	007211F	007211F
10-H	Well Retaining Clip	300203	300203	300203	300203	300203	300203
J	CONTROL BOX						
1-J	Control Box Std. (Complete)	003966F	003966F	003966F	003966F	004249F	004249F
	Control Box HSI (Complete)	003967F	003967F	003967F	003967F	004250F	004250F
2-J	Transformer	650691	650691	650691	650691	650691	650691
3-J	Relay	650518	650518	650518	650518	650518	650518

*FOR ALTITUDES ABOVE 2,000 FEET ABOVE SEA LEVEL, CONSULT FACTORY.

¹NUMBER OF TUBES VARIES FOR EACH MODEL SIZE.

CALL OUT	DESCRIPTION	30A	42A	66A	90A	135A	180A
M	MISCELLANEOUS						
1-M	PRV 30 PSI	501410	501410	501410	501410	501410	501410
2-M	Deliming Kit	052871F	052871F	052871F	052871F	052871F	052871F
3-M	T & P Gauge	007205F	007205F	007205F	007205F	007205F	007205F
4-M	Drain Valve	006536F	006536F	006536F	006536F	006536F	006536F
5-M	Pump (Taco)	003968F	003968F	003968F	004251F	004714F	004714F
6-M	Wire/Harness Std.	003969F	003969F	003969F	003969F	004256F	004256F
	Wire/Harness HSI Honeywell	003970F	003970F	003970F	003970F	004257F	004257F
	Wire/Harness HSI Robertshaw	003971F	003971F	003971F	003971F	004258F	004258F
P	PILOT						
1-P	Pilot Nat Std.	003972F	003972F	003972F	003972F	003972F	003972F
	Pilot Pro Std.	003973F	003973F	003973F	003973F	003973F	003973F
2-P	Pilot Orifice Nat Std.	003974F	003974F	003974F	003974F	003974F	003974F
	Pilot Orifice Pro Std.	003975F	003975F	003975F	003975F	003975F	003975F
3-P	Pilot Thermocouple	600003	600003	600003	600003	600003	600003
4-P	Hot Surface Ignitor HSI	003976F	003976F	003976F	003976F	003976F	003976F
5-P	Ignition Control HSI Honeywell	601005F	601005F	601005F	601005F	601005F	601005F
	Ignition Control HSI Fenwal	004678F	004678F	004678F	004678F	004678F	004678F
6-P	Pilot Mtg. Bracket Std.	306239	306239	306239	306239	306239	306239
7-P	Lighter Tube Std.	052797	052797	052797	052797	052797	052797
8-P	Pilot Tube	400275	400275	400275	400275	400275	400275
R	REFRACTORY						
1-R	Refractory Kit	003977F	003977F	003978F	003978F	004259F	004260F
S	SHEETMETAL						
1-S	Jacket Top	003979F	003979F	003980F	003980F	004261F	004268F
2-S	Flue Collector	003981F	003981F	003982F	003982F	004262F	004263F
3-S	Access Panel	003983F	003983F	003983F	003983F	004264F	004264F
4-S	Control Panel Cover	003984F	003984F	003984F	003984F	004265F	004265F
V	VENTING						
1-V	Drafthood	003985F	003985F	003986F	003986F	004266F	004267F

	30A	42A	66A	90A	135A	180A
GAS CONVERSION KITS **						
HONEYWELL GAS VALVE						
Standing Pilot Nat to Pro	***	***	***	***	004281F	004285F
Standing Pilot Pro to Nat	***	***	***	***	004282F	004286F
Hot Surface Ignition Nat to Pro	004271F	004275F	004700F	004279F	004283F	004287F
Hot Surface Ignition Pro to Nat	004272F	004276F	004701F	004280F	004284F	004288F
ROBERTSHAW GAS VALVE						
Standing Pilot Nat to Pro	004289F	004293F	004702F	004297F		
Standing Pilot Pro to Nat	004290F	004294F	004703F	004298F		
Hot Surface Ignition Nat to Pro	004291F	004295F	004704F	004299F		
Hot Surface Ignition Pro to Nat	004292F	004296F	004705F	004300F		

** Gas conversions are to be done only by a qualified agency.

*** Gas conversion only available in Robertshaw valve.



Registered Quality Management System

www.raypak.com

Free Manuals Download Website

<http://myh66.com>

<http://usermanuals.us>

<http://www.somanuals.com>

<http://www.4manuals.cc>

<http://www.manual-lib.com>

<http://www.404manual.com>

<http://www.luxmanual.com>

<http://aubethermostatmanual.com>

Golf course search by state

<http://golfingnear.com>

Email search by domain

<http://emailbydomain.com>

Auto manuals search

<http://auto.somanuals.com>

TV manuals search

<http://tv.somanuals.com>