

Job: \_\_\_\_\_

Engineer: \_\_\_\_\_

Contractor: \_\_\_\_\_

Prepared By: \_\_\_\_\_ Date: \_\_\_\_\_

Model: \_\_\_\_\_ Indoor/Outdoor: \_\_\_\_\_ MBTUH Input: \_\_\_\_\_

# Hi Delta<sup>®</sup> - Type P

Commercial Pool Heaters  
Models 992B-1532B

## Sealed Combustion Chamber

100% Factory Fire Tested

Efficiency: 85%

Minimum Non-condensing Inlet Temperature: 105°F

Thermal Shock Proof Heat Exchanger

Limited Twenty-year Thermal Shock Warranty

Limited Five-year Heat Exchanger Warranty

Diagnostic Center with Fault History

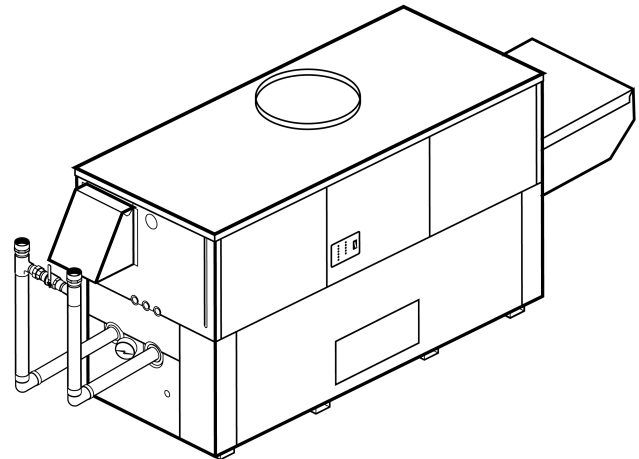
PolyTuf Powder Coated Cabinet

No Combustible Floor Shield Required

Fan-assisted

Non-ferrous Bypass

Patented Burner Security Blanket



## Heat Exchanger

- Bronze Headers
- ASME Inspected and Stamped  
160 PSIG Working Pressure
- National Board Approved
- Cupro Nickel Finned Tubing
- ASME Steel Tube Sheet
- Silicone High Temp O-Rings
- 125 PSIG ASME Pressure Relief Valve
- Temperature and Pressure Gauge
- Water Connections
  - Left – Standard
  - Right – Option A-6
- Bronze Pump, 1/2 HP, 120V, 60Hz
- Non-ferrous Pool Bypass

## Controls

- 120V, 60Hz, 1∅ Power Supply
- 120/24V 60Hz Transformer
- 100% Shut-off/Lockout
- Hot Surface Ignition System
- Remote Flame Sensor
- High Limit Control, Auto Reset
- On/Off Power Switch
- Manual Shut-off, Front-mounted
- Flow Switch
- Blocked Vent Pressure Switch
- Combustion Air Proving Switches
- Economaster Pump Time Delay
- Poolstat

## Gas Train

- Gas Pressure Regulators
- Safety Shut-off Valves
- Firing Control Valves
- On/Off Firing
- Low Gas Pressure Switch, Manual
- Fuel
  - Natural Gas
  - Propane Gas
- Design Certified ANSI Z21.56/  
CSA 4.7

## Burner

- Ultra-low NO<sub>x</sub>:  
Less than 30 PPM

## Construction

- Indoor/Outdoor Construction
- Enclosed Front Controls

## Venting

- Vent Location
  - Top – Standard
  - Rear – Option D-14
- Vent Termination Cap
  - Outdoor – Option D-11
  - Indoor, Horizontal –  
Option D-15
  - Indoor, Vertical (by others)
- Combustion Air
  - In-Line Filter Kit (TruSeal  
only) – Option D-17
  - Air Intake Elbow –  
Option D-16

## Options

- C-6 Ignition Module, Manual Reset
- D-21 TruSeal™ Direct Vent
  - Left Side - Standard
  - Right Side - Optional
- F-10 Low Water Cut-off, Remote Probe
- I-5 High Limit Control, Manual Reset
- S-2 High Gas Pressure Switch, Manual  
(Dual switches on Model 1532B)
- X-1 SureRack Kit, Zone III and IV
- X-2 SureRack Add-on, Zone IV
- Y-241 Temperature Controller,  
1-4 Stages

## Regulatory Agency Requirements

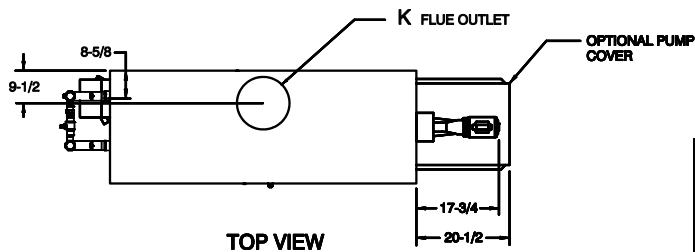
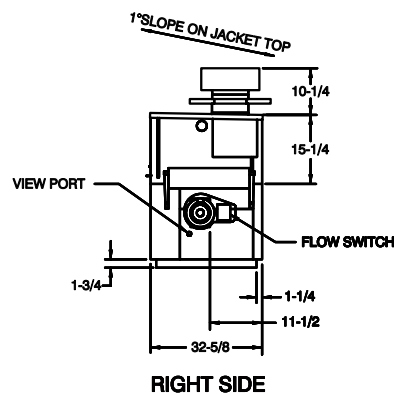
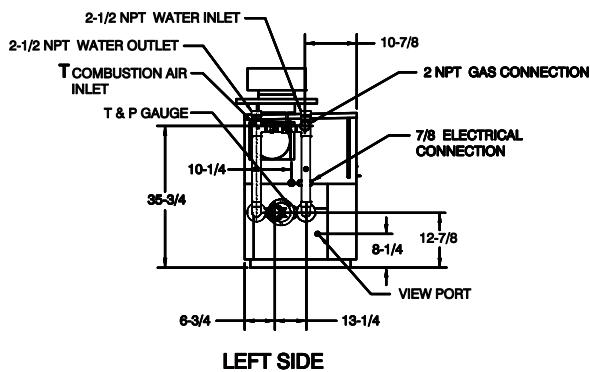
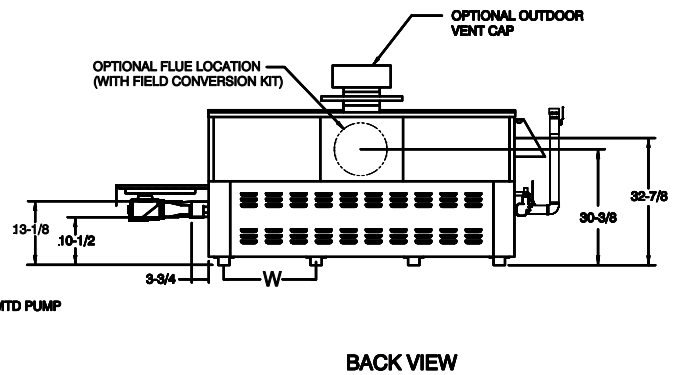
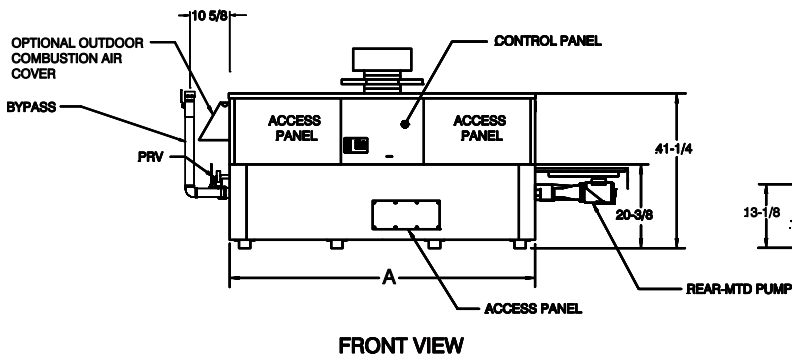
- G-1 CSD-1



**Raypak**<sup>®</sup>  
A Rheem Company

# Hi Delta – Type P Models 992B-1532B

Model \_\_\_\_\_



## RATE OF FLOW AND PRESSURE DROP

Model	Max. Flow			Min. Flow		
	GPM	ΔP (ft)	ΔT	GPM	ΔP (ft)	ΔT
992B	132	14.0	13	56	2.5	30
1262B	132	15.5	16	71	4.5	30
1532B	132	16.5	20	87	7.2	30

Model	MBTUH		A Width	K	T	W	Amp Draw (w/ Pump)	Shipping Weight (Lbs.)
	Input	Output						
992B	990	842	57-1/8	10	10	16-13/16	21.0	900
1262B	1260	1071	68-1/2	12	10	20-9/16	21.0	1010
1532B	1530	1301	79-7/8	12	10	24-3/8	21.0	1225

Dimensions are in inches.  
Ratings shown are for elevations up to 5,000 feet and for natural or propane gas.  
For installation at elevations over 5,000 feet, please contact manufacturer.

## Free Manuals Download Website

<http://myh66.com>

<http://usermanuals.us>

<http://www.somanuals.com>

<http://www.4manuals.cc>

<http://www.manual-lib.com>

<http://www.404manual.com>

<http://www.luxmanual.com>

<http://aubethermostatmanual.com>

Golf course search by state

<http://golfingnear.com>

Email search by domain

<http://emailbydomain.com>

Auto manuals search

<http://auto.somanuals.com>

TV manuals search

<http://tv.somanuals.com>