

**COMMERCIAL/POOL**  
**MODELS: MVB 504 THRU 2004**

CATALOG NO. 9300.741  
Effective: 06-30-08  
Replaces: 06-02-08

## RAYPAK ILLUSTRATED PARTS LIST

**MODEL SIZES: 504, 754, 1104, 1504 & 2004**

**MODEL TYPES: MODULATING VERTICAL BOILER H, WH & P CAT I**

DATES OF MANUFACTURE: 7-01-07 THROUGH CURRENT

THE PARTS LISTED ARE FOR STANDARD EQUIPMENT FOR THIS MODEL TYPE. RAYPAK RESERVES THE RIGHT TO SUBSTITUTE, DELETE OR CHANGE ANY PART WITHOUT NOTIFICATION. THE ADDITION OF OPTIONS MAY ALSO CHANGE SOME OF THE PARTS. ORDER REPLACEMENT PARTS FROM ACTUAL HEATER COMPONENTS.

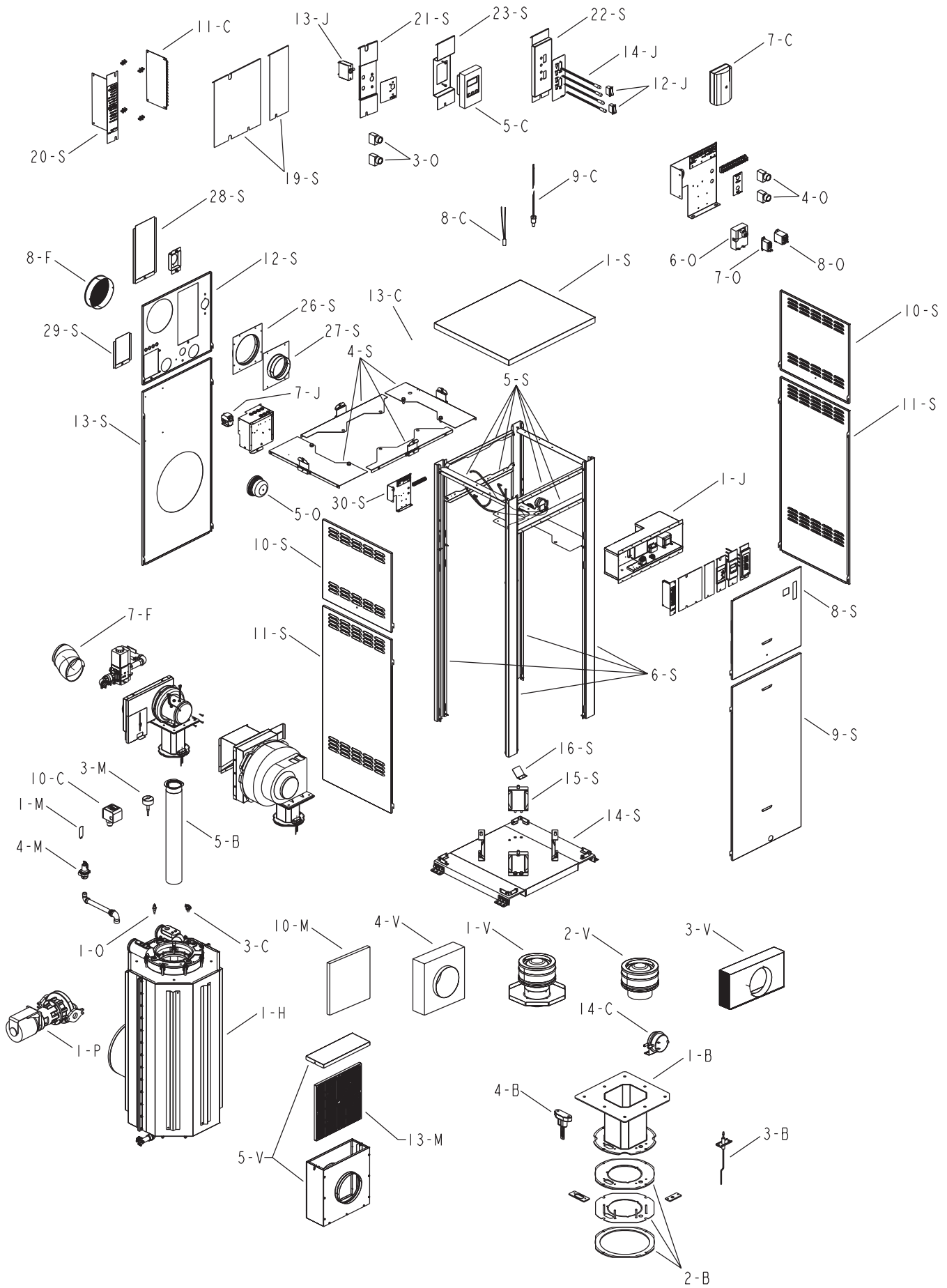


FOR DETAILED INSTRUCTIONS, SEE "HOW TO USE YOUR RAYPAK ILLUSTRATED PARTS LIST",  
CATALOG NO. 9001.10

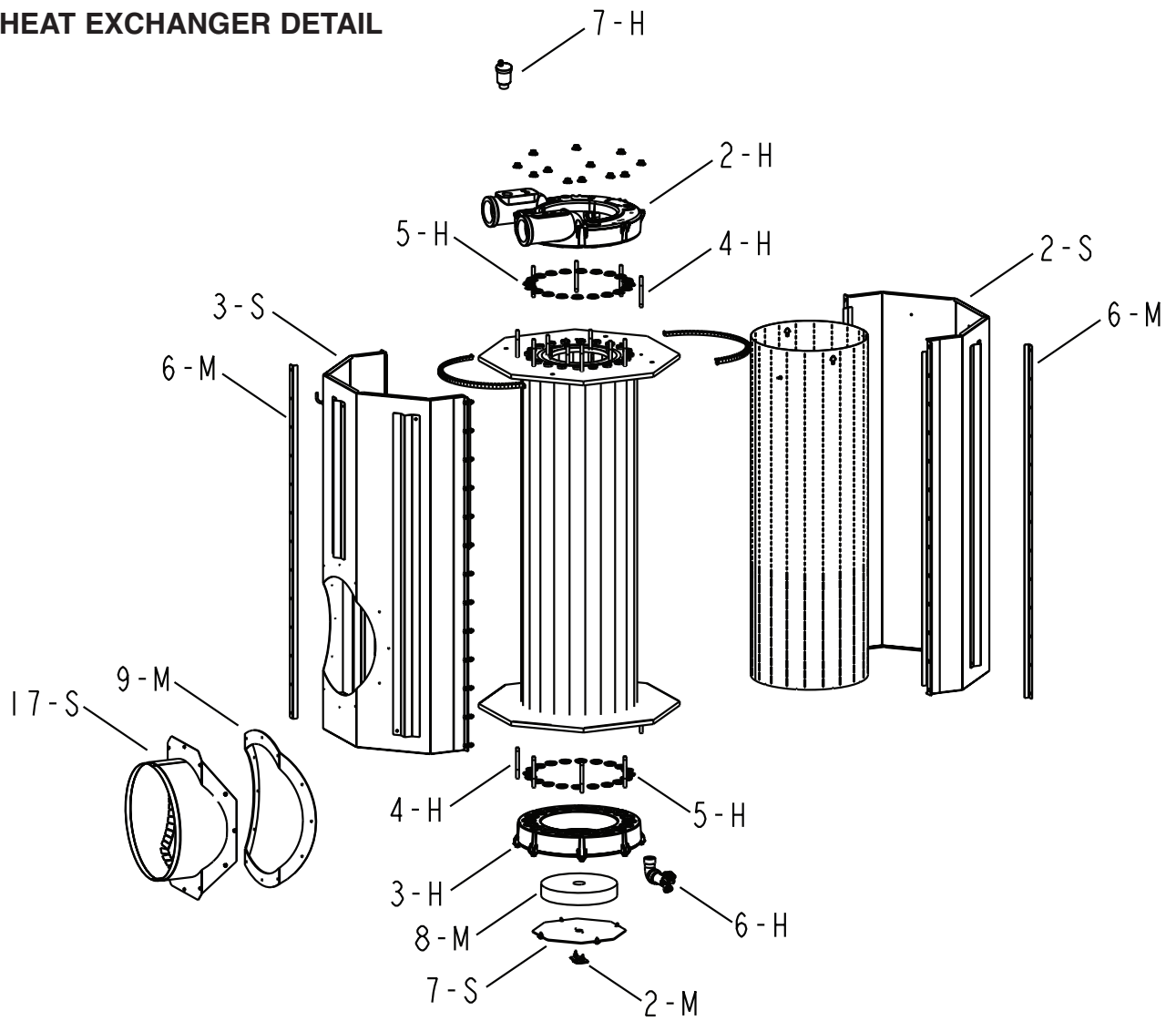


Raypak, Inc., 2151 Eastman Avenue, Oxnard, CA 93030  
(805) 278-5300 FAX (805) 278-5489  
Litho In U.S.A.

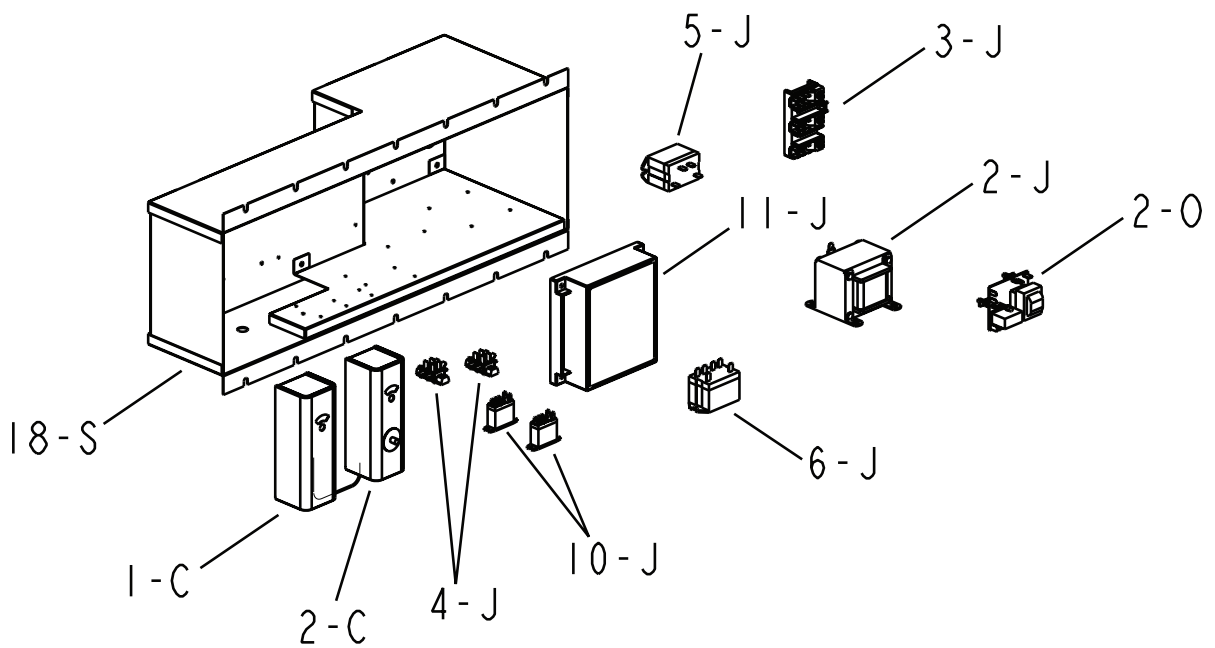
P/N 241318



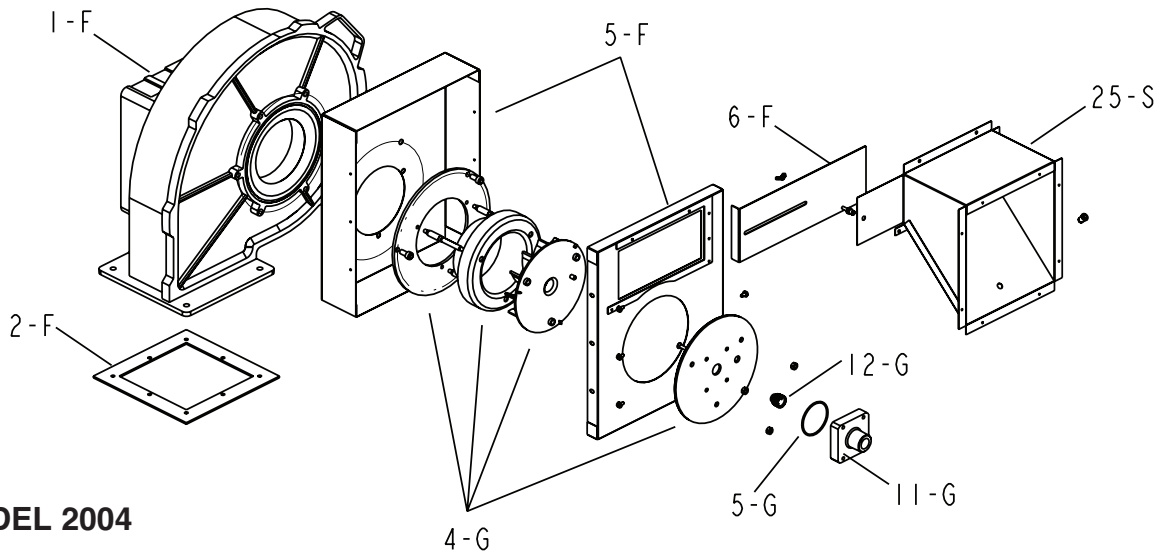
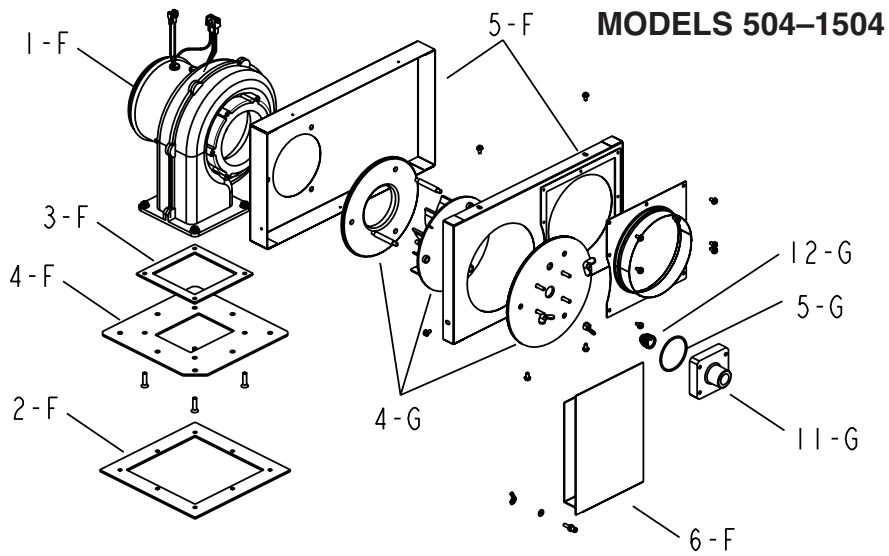
# HEAT EXCHANGER DETAIL



# J-BOX DETAIL

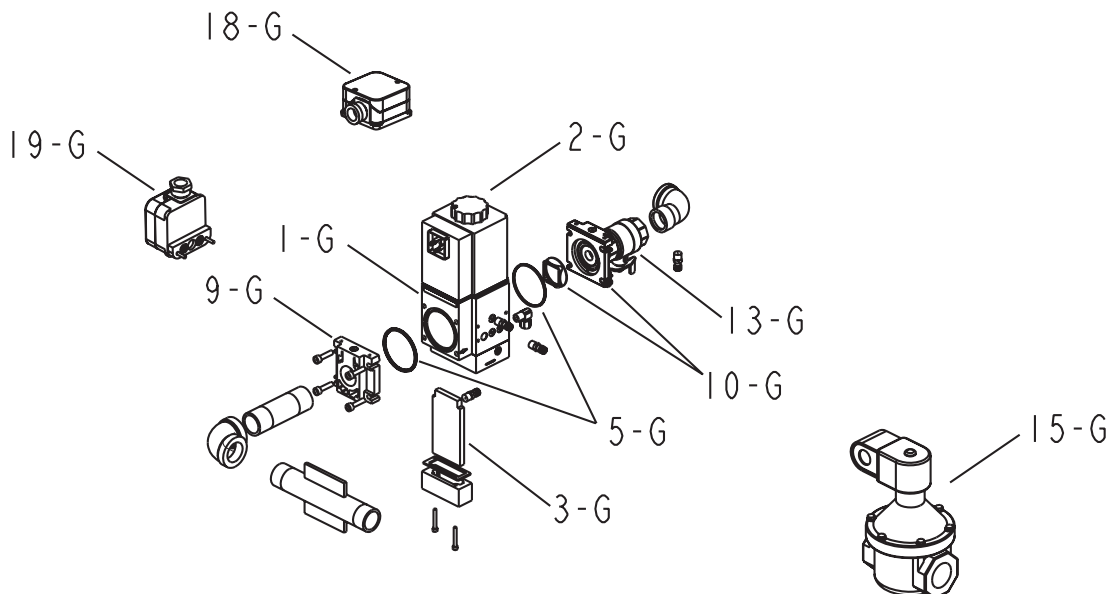


# BLOWER DETAIL



# MODEL 2004

# GAS TRAIN DETAIL



CALL OUT	DESCRIPTION	504	754	1104	1504	2004
<b>B</b>	<b>BURNER ASSEMBLY</b>					
1-B	Adapter Assembly	011749F	011749F	011749F	011749F	011750F
2-B	Adapter Gaskets and Heat Sheild	011751F	011751F	011751F	011751F	011751F
3-B	Flame Sensor Probe	011752F	011752F	011752F	011752F	011752F
4-B	Igniter	007400F	007400F	007400F	007400F	007400F
5-B	Burner	011753F	011754F	011754F	011755F	011756F
<b>C</b>	<b>CONTROLS</b>					
1-C	Auto Reset Adjustable High Limit 240°F Max	011860F	011860F	011860F	011860F	011860F
	Auto Reset Adjustable High Limit 180°F Max	006445F	006445F	006445F	006445F	006445F
	Auto Reset Adjustable High Limit 140°F Max Pool	006445F	006445F	006445F	006445F	006445F
	Auto Reset Adjustable High Limit 200°F Max	012546F	012546F	012546F	012546F	012546F
2-C	Manual Reset Adjustable High Limit 240°F Max	007144F	007144F	007144F	007144F	007144F
	Manual Reset Adjustable High Limit 200°F Max	008081F	008081F	008081F	008081F	008081F
	Manual Reset Adjustable High Limit 180°F Max	009554F	009554F	009554F	009554F	009554F
3-C	Manual Reset Fixed High Limit 240°F	008520F	008520F	008520F	008520F	008520F
	Manual Reset Fixed High Limit 200°F	008093F	008093F	008093F	008093F	008093F
	Manual Reset Fixed High Limit 175°F	600952B	600952B	600952B	600952B	600952B
4-C	Remote Aquastat (Tankstat) 2-Stage B-3 (Not Shown)	007392F	007392F	007392F	007392F	007392F
5-C	Controller Modulating (Tekmar) H7 MIN 70%	012251F	012251F	012251F	012251F	012251F
	Controller On/Off (Tekmar) WH1	012252F	012252F	012252F	012252F	012252F
	Controller On/Off (Tekmar) P, WHP	012253F	012253F	012253F	012253F	012253F
6-C	Controller 4-Stage B-21 Digital Optional (Not Shown)	009862F	009862F	009862F	009862F	009862F
	Controller 2-Stage B-26 Digital Optional (Not Shown)	009861F	009861F	009861F	009861F	009861F
7-C	Sensor Outdoor Air B-23	010786F	010786F	010786F	010786F	010786F
8-C	Sensor Water B-21 thru B-26	010787F	010787F	010787F	010787F	010787F
9-C	Sensor Water screw-In (Tekmar)	011861F	011861F	011861F	011861F	011861F
15-C	Sensor Water (Temp Tracker) B-36 thru B-38	012187F	012187F	012187F	012187F	012187F
10-C	Flow Switch	007142F	007142F	007142F	007142F	007142F
11-C	Printed Circuit Board UDB (Diagnostic)	011758F	011758F	011758F	011758F	011758F
13-C	Air Vent Pressure Switch	007158F	007158F	007158F	007158F	007158F
14-C	Air Intake Pressure Switch	011761F	011761F	011761F	011761F	011761F
<b>J</b>	<b>CONTROL BOX</b>					
1-J	Control Box Complete	N/A	N/A	N/A	N/A	N/A
2-J	Transformer 120/24	011762F	011762F	011762F	011762F	011762F
3-J	Terminal Block w / Ground Lug	008523F	008523F	008523F	008523F	008523F
4-J	Terminal Block 2 Space	011763F	011763F	011763F	011763F	011763F
5-J	Blower Relay 120 VAC	008977F	008977F	008977F	008977F	N/A
6-J	Pump Relay 24 VAC	007925F	007925F	007925F	007925F	007925F
7-J	Pump Contactor 120 VAC (Over 3/4 HP Pumps)	007906F	007906F	007906F	007906F	007906F
	Blower Contactor 120 VAC	N/A	N/A	N/A	N/A	007906F
10-J	Relay 24 VAC (Alarm)	009039F	009039F	009039F	009039F	009039F
11-J	Ignition Control HSI Single Try	009057F	009057F	009057F	009057F	009057F
	Ignition Control HSI Three Try	007374F	007374F	007374F	007374F	007374F
12-J	Rocker Switch (Burner / Pump)	006872F	006872F	006872F	006872F	006872F
13-J	On / Off Shut Down Switch	007380F	007380F	007380F	007380F	007380F
14-J	Indicator Lamp	011848F	011848F	011848F	011848F	011848F
<b>F</b>	<b>FAN</b>					
1-F	Blower Combustion Air	012442F	012443F	012445F	012446F	011765F
2-F	Blower Gasket	011885F	011885F	011885F	011885F	011885F
3-F	Adapter Gasket	011886F	011886F	011886F	011886F	N/A
4-F	Adapter Plate	011887F	011887F	011887F	011887F	N/A
5-F	Plenum Assembly	011863F	011863F	011863F	011863F	011864F
6-F	Air Shutter	011875F	011875F	011875F	011875F	011876F
7-F	Hose Duct 6"	007420F	007420F	007420F	007420F	N/A
8-F	Screen Intake Vent Cap	007162F	007162F	007162F	011865F	011865F
<b>G</b>	<b>GAS TRAIN</b>					
1-G	Valve Gas Modulating (Dungs) Natural Gas	011766F	011766F	011766F	011766F	011768F
	Valve Gas Modulating (Dungs) Propane Gas	011766F	011766F	011766F	011766F	011766F
2-G	Valve Coil Nat	012310F	012310F	012310F	012310F	012311F
	Valve Coil Pro	012310F	012310F	012310F	012310F	012310F
3-G	Inlet Gas Filter	012294F	012294F	012294F	012294F	012295F
4-G	Swirler	011888F	011888F	011888F	011888F	011889F
5-G	O Rings (Includes Gas Valve and Adapter O Rings)	012440F	012440F	012440F	012440F	012441F
9-G	Adapter Gas Valve 1" Inlet (Includes O Rings)	011915F	011915F	011915F	011915F	011915F
	Adapter Gas Valve 1-1/4" Inlet (Includes O Rings)	N/A	N/A	011916F	011916F	N/A
	Adapter Gas Valve 2" Inlet (Includes O Rings)	N/A	N/A	N/A	N/A	011917F
10-G	Adapter Gas Valve Outlet (Includes Venturi & O Ring)					
	Units manufactured prior to 4/7/08	012296F	012296F	012296F	012296F	012297F
	Units manufactured from 4/8/08	012545F	012545F	012545F	012545F	012297F
11-G	Adapter Swirl Plate	012298F	012298F	012298F	012298F	012298F
12-G	Nozzle Natural Gas	012299F	012300F	012301F	012303F	012305F
	Nozzle Propane Gas	012306F	012307F	012308F	012308F	012301F
13-G	Valve Gas Ball (WOG)	011769F	011769F	011769F	011769F	011769F
14-G	Motorized Safety Shut Off Valve (Optional)	011908F	011908F	011908F	011908F	011908F
15-G	Solenoid Safety Shut Off Valve Nat (Optional)	011909F	011909F	011910F	011910F	011911F
	Solenoid Safety Shut Off Valve Pro (Optional)	011909F	011909F	011909F	011909F	011909F
17-G	Vent Valve Gas Nat (Optional) Not Shown	011913F	011913F	011914F	011914F	011914F
	Vent Valve Gas Pro (Optional) Not Shown	011913F	011913F	011913F	011913F	011913F
18-G	Switch Low Gas Pressure (Optional)	011770F	011770F	011770F	011770F	011770F
19-G	Switch High Gas Pressure (Optional)	011771F	011771F	011771F	011771F	011771F

CALL OUT	DESCRIPTION	504	754	1104	1504	2004
<b>H</b>	<b>HEAT EXCHANGER</b>					
1-H	Heat Transfer Cupro-Nickle Bronze (Includes 15-S)	012254F	012255F	012256F	012257F	012258F
	Heat Transfer Cupro-Nickle Cast Iron (Includes 15-S)	012321F	012323F	012325F	012327F	012329F
	Heat Transfer Copper Bronze (Includes 15-S)	012259F	012260F	012261F	012262F	012263F
	Heat Transfer Copper Cast Iron (Includes 15-S)	012320F	012322F	012324F	012326F	012328F
2-H	Inlet/Outlet Header Bronze	009102F	009102F	009103F	009103F	009103F
	Inlet/Outlet Header Cast Iron	012331F	012331F	012332F	012332F	012332F
3-H	Return Header Bronze	007204F	007204F	007204F	007204F	007204F
	Return Header Cast Iron	012330F	012330F	012330F	012330F	012330F
4-H	Studbolt	009104F	009104F	009104F	009104F	009104F
5-H	Header Gasket (20 PCS)	007343F	007343F	007343F	007343F	007343F
6-H	Drain Valve	006536F	006536F	006536F	006536F	006536F
7-H	Air Vent Valve	011866F	011866F	011866F	011866F	011866F
<b>M</b>	<b>MISCELLANEOUS COMPONENTS</b>					
1-M	Flow Switch Paddle (Taco)	010026F	010026F	010026F	010026F	010026F
2-M	Window Combustion Chamber	006947F	006947F	006947F	006947F	006947F
3-M	T & P Guage 0-75 PSI	007205F	007205F	007205F	007205F	007205F
	T & P Guage 0-200 PSI	007399F	007399F	007399F	007399F	007399F
4-M	PRV 30 PSI	007217F	007218F	007219F	007748F	007748F
	PRV 45 PSI	007220F	007346F	007221F	007751F	007751F
	PRV 60 PSI	007222F	007222F	007222F	007753F	007754F
	PRV 75 PSI	007223F	007223F	007223F	007223F	007756F
	PRV 125 PSI	011912F	011912F	007224F	007224F	007758F
	PRV 150 PSI	007225F	007225F	007225F	007225F	007225F
5-M	RTV Sealant 2.8 oz (Not Shown)	008924F	008924F	008924F	008924F	008924F
	RTV Sealant 10 oz (Not Shown)	005755F	005755F	005755F	005755F	005755F
6-M	Flue Collector Vertical Seal Gasket	011772F	011772F	011772F	011772F	011772F
8-M	Insulation Blanket Return Header	007241F	007241F	007241F	007241F	007241F
9-M	Flue Exhaust Adapter Gasket	009736F	012264F	012264F	012265F	012266F
10-M	Inline Intake Air Filter	008402F	008402F	008402F	011897F	011897F
13-M	Inline Intake Air Filter Premium	012552F	012552F	012552F	012553F	012553F
11-M	Touch up Paint (Green) Not Shown	750125	750125	750125	750125	750125
	Touch up Paint (Dark Gray) Not Shown	750126	750126	750126	750126	750126
12-M	Wire Harness					
	Units manufactured without 30-S Wiring Panel	012538F	012538F	012538F	012538F	012538F
	Units manufactured with 30-S Wiring Panel	012566F	012566F	012566F	012566F	012566F
<b>O</b>	<b>OPTIONS</b>					
1-O	Remote Sensor (LWCO)	007228F	007228F	007228F	007228F	007228F
2-O	Control PC Board (LWCO)	007157F	007157F	007157F	007157F	007157F
3-O	Test / Reset Switch (LWCO)	005641F	005641F	005641F	005641F	005641F
4-O	Silencer/Reset Switch (Alarm)	005641F	005641F	005641F	005641F	005641F
5-O	Alarm Bell 3"	005642F	005642F	005642F	005642F	005642F
	Alarm Bell 4"	005643F	005643F	005643F	005643F	005643F
6-O	Time Delay Contactor 5 Second (Alarm / Dry contacts)	008921F	008921F	008921F	008921F	008921F
7-O	Relay SPDT 24 VAC (Alarm / Dry Contact)	009039F	009039F	009039F	009039F	009039F
8-O	Relay DPDT 24 VAC (Alarm)	011720F	011720F	011720F	011720F	011720F
<b>P</b>	<b>PUMPS</b>					
1-P	Pump -Circulating - Bronze (Soft Water)	007226F	007226F	007227F	011845F	007351F
	Pump -Circulating - Bronze (Medium Water)	007226F	007347F	011845F	007351F	007937F
	Pump -Circulating - Bronze (Hard Water)	007349F	007349F	007351F	007351F	007937F
	Pump -Circulating - CI (Soft Water)	007232F	007232F	007233F	011846F	007357F
	Pump -Circulating- CI (Medium Water)	007232F	007353F	011846F	007357F	007938F
	Pump -Circulating- CI (Hard Water)	007355F	007355F	007357F	007357F	007938F
	Pump -Circulating - Bronze (Pool Heaters and CWR)	007226F	007226F	011845F	007351F	007937F
<b>S</b>	<b>SHEETMETAL</b>					
1-S	Jacket Top	011833F	011833F	011833F	011833F	011833F
2-S	Flue Collector Front (No Opening) (Includes 6-M)	012267F	012268F	012269F	012270F	012271F
3-S	Flue Collector Rear (Opening) (Includes 6-M)	012272F	012273F	012274F	012275F	012276F
4-S	Heat Transfer Supports	009107F	009107F	009107F	009107F	009107F
5-S	Upper Cabinet Supports	011849F	011849F	011849F	011849F	011849F
6-S	Vertical Cabinet Supports	011801F	011802F	011803F	011804F	011806F
7-S	Return Header Cover	007257F	007257F	007257F	007257F	007257F
8-S	Jacket Upper Front Panel	011808F	011808F	011808F	011808F	011809F
9-S	Jacket Lower Front Panel	011810F	011811F	011812F	011813F	011815F
10-S	Jacket Upper Side Panel	011817F	011817F	011817F	011817F	011818F
11-S	Jacket Lower Side Panel	011819F	011820F	011821F	011822F	011824F
12-S	Jacket Upper Rear Panel	011877F	011877F	011878F	011879F	011880F
13-S	Jacket Lower Rear Panel	012277F	012278F	012279F	012280F	012281F
14-S	Base Assembly	009129F	009129F	009129F	009129F	009129F
15-S	Leg Bracket ( 4 pcs per boiler)	007306F	007306F	007306F	007306F	007306F
16-S	Base Reflector Panel	007307F	007307F	007307F	007307F	007307F
17-S	Flue Exhaust Adapter Assembly	011901F	012282F	012282F	012283F	012284F
18-S	Control Box Assy	011869F	011869F	011869F	011869F	011869F
19-S	Control Box Cover Panel	011870F	011870F	011870F	011870F	011870F
20-S	Control Box Cover Panel w/Lights	011871F	011871F	011871F	011871F	011871F
21-S	Power Switch Mounting Panel	011872F	011872F	011872F	011872F	011872F
22-S	Blower/Pump Switch Mounting Panel	011873F	011873F	011873F	011873F	011873F
23-S	Controller Mounting Panel	011874F	011874F	011874F	011874F	011874F
25-S	Intake Air Adapter	N/A	N/A	N/A	N/A	011881F
26-S	Intake Air Collar (Outside)	011898F	011898F	011898F	011899F	011882F
27-S	Intake Air Collar (Inside)	011905F	011905F	011905F	011905F	N/A
28-S	Access Panel	011883F	011883F	011883F	011883F	011884F
29-S	Access Panel Wiring Box	011906F	011906F	011906F	011906F	011906F
30-S	24V Wiring Panel	012567F	012567F	012567F	012567F	012567F
<b>V</b>	<b>VENTING</b>					
1-V	Outdoor Stack	011895	011894	011894	011895	011895
2-V	Vent Cap Vertical for Indoor Units	010803	010804	010804	010805	010806
3-V	Vent Cap Horizontal Thru-the-Wall for Indoor Units	006646	006650	006650	007989	007002
4-V	Inline Air filter (Complete)	006926	006926	006926	006927	006927
5-V	Inline Air filter Premium (Complete)	012460	012460	012460	012461	012461



[www.raypak.com](http://www.raypak.com)

## Free Manuals Download Website

<http://myh66.com>

<http://usermanuals.us>

<http://www.somanuals.com>

<http://www.4manuals.cc>

<http://www.manual-lib.com>

<http://www.404manual.com>

<http://www.luxmanual.com>

<http://aubethermostatmanual.com>

Golf course search by state

<http://golfingnear.com>

Email search by domain

<http://emailbydomain.com>

Auto manuals search

<http://auto.somanuals.com>

TV manuals search

<http://tv.somanuals.com>