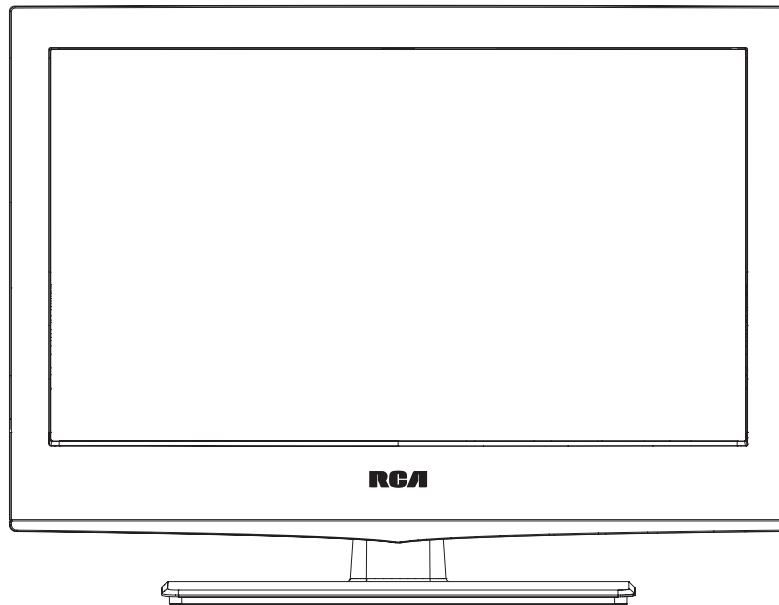


# INSTRUCTION MANUAL

# RCA

## LCD TV



## RLC1909

### IMPORTANT

Please read this manual carefully before installing and operating the TV  
Keep this manual handy for further reference

# Table of Contents

<b>Caution</b> .....	<b>2</b>
<b>Important Safety Precautions</b> .....	<b>3</b>
<b>INSTALLATION</b> .....	<b>4-6</b>
<b>Top/Side panel diagram</b> .....	<b>7-8</b>
<b>Remote Controller</b> .....	<b>9</b>
Battery Installation	
Using the Remote Control	
<b>Install TV</b> .....	<b>10</b>
Set your TV	
Connect Antenna and power	
Turn On TV	
<b>Description of Operation</b> .....	<b>11-12</b>
<b>PICTURE MENU</b> .....	<b>12</b>
<b>SOUND MENU</b> .....	<b>12</b>
<b>TUNE MENU</b> .....	<b>13</b>
<b>FUNCTION MENU</b> .....	<b>13</b>
<b>PARENT CONTROL</b> .....	<b>14</b>
<b>CHANGE PASSWORD</b> .....	<b>14</b>
<b>TV RATOMG</b> .....	<b>15</b>
<b>OSD MENU</b> .....	<b>15</b>
<b>PC MENU</b> .....	<b>15</b>
<b>COLOR TEMP</b> .....	<b>16</b>
<b>GEOMETRY</b> .....	<b>16</b>
<b>RESOLUTION</b> .....	<b>17</b>
<b>HELP</b> .....	<b>18</b>
<b>SPECIFICATIONS</b> .....	<b>19</b>

# Caution



The lightening flash with arrowhead symbol, within an equilateral triangle is intended to alert the user to the presence of un-insulated "dangerous voltage" within the products enclosure that may be of sufficient magnitude to constitute a risk of electric shock to the persons.



The exclamation point within an equilateral triangle is intend to alert the user to the presence of important operating and maintenance (servicing) instructions in the literature accompanying the appliance.

## **Correct disposal of this Product**

Waste Electrical & Electronic Equipment (WEEE)

Your product is designed and manufactured with high quality materials and components which can be recycled and reused.

This symbol means that electrical and electronic equipment, at their end-of-life, should be disposed of separately from your household waste.

Please dispose of this equipment at your local community waste collection/recycling centre.

In the European Union there are separate collection systems for used electrical and electronic products. Please help us to conserve the environment we live in!



# Important Safety Precautions

- 1) Read these instructions.
- 2) Keep these instructions.
- 3) Heed all warnings.
- 4) Follow all instructions.
- 5) Do not use this apparatus near water.
- 6) Clean only with dry cloth.
- 7) Do not block any ventilation openings. Install in accordance with the manufacturer's instructions.
- 8) Do not install near any heat sources such as radiators, heat registers, stoves, or other apparatus (including amplifiers) that produce heat.
- 9) Do not defeat the safety purpose of the polarized or grounding-type plug. A polarized plug has two blades with one wider than the other. A grounding type plug has two blades and a third grounding prong. The wide blade or the third prong are provided for your safety, If the provided plug does not fit into your outlet, consult an electrician for replacement of the obsolete outlet.
- 10) Protect the power cord from being walked on or pinched particularly at Plugs, convenience receptacles, and the point where they exit from the apparatus.
- 11) Only use attachments /accessories specified by the manufacturer.
- 12) Use only with the cart, stand, tripod, bracket, or table specified by the manufacturer, or sold with the apparatus. When a cart is used caution when moving the cart/apparatus combination to avoid injury tip-over.



- 13) Unplug this apparatus during lightning storms or when unused for long periods of time.

## Caution:

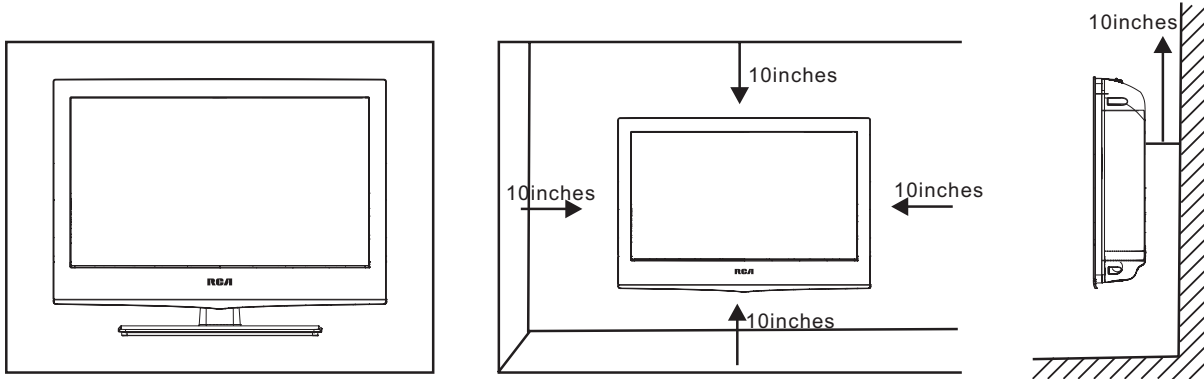
- 14) To reduce the risk of fire or electric shock, do not expose this apparatus to rain or moisture.
- 15) The apparatus shall be disconnected from the mains by placing the power/standby switch in the standby position and unplugging the power cord of the apparatus from the AC mains receptacle.
- 16) The socket-out shall be installed near the equipment and shall be easily accessible.
- 17) This product should never be placed in a built-in installation such as a bookcase or rack unless proper ventilation is provided or the manufacture's instructions have been adhered to.
- 18) The apparatus shall not be exposed to dripping or splashing and that no objects filled with liquid, such as vases, shall be placed on the apparatus.
- 19) Do not place any sources of danger on the apparatus (e.g. liquid filled objects, lighted candles).
- 20) Wall or Ceiling Mounting - The appliance should be mounted to a wall or ceiling only as recommended by the manufacturer.

These servicing instructions are for use by qualified service personnel only. To reduce the risk of electric shock do not perform any servicing other than that contained in the operating instructions unless you are qualified to do so.

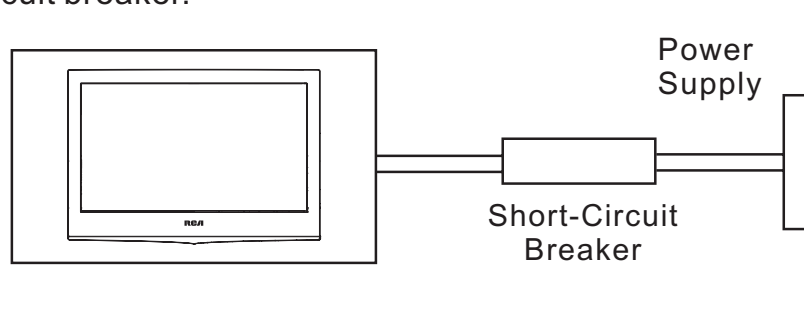
# INSTALLATION

## STANDARD INSTALLATION

- The TV can be installed in various ways such as on a wall, or on a desktop etc.



- The TV is designed to be mounted horizontally. Ensure that you connect the earth ground wire to prevent possible electric shock. if grounding methods are not possible, have a qualified electrician install a separate circuit breaker.



Do not try to ground the unit by connecting it to telephone wires, lightning rods or gas pipes.

### a. Desktop Pedestal Installation

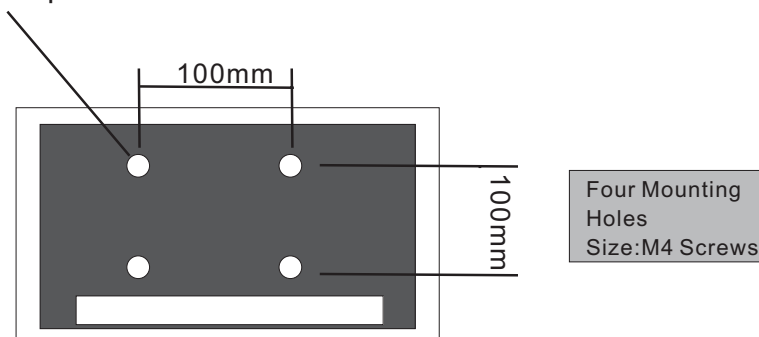
This is the default installation way of the TV.

# STANDARD INSTALLATION

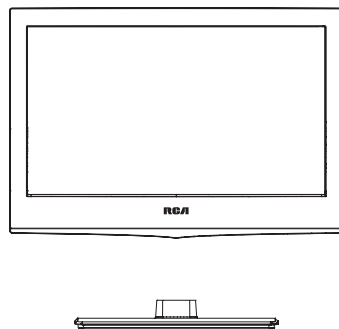
## b. Wall Mount: Horizontal installation

- (1) Secure the wall brackets with the bolts(not provided as parts of the product, must purchase separately) on the wall.Match the height of the bracket that is mounted on the wall. The wall bracket is of normal dimension. Please see the position of the wall brackets bolts as follow picture. The actual dimension of the wall brackets bolt should according to the products.

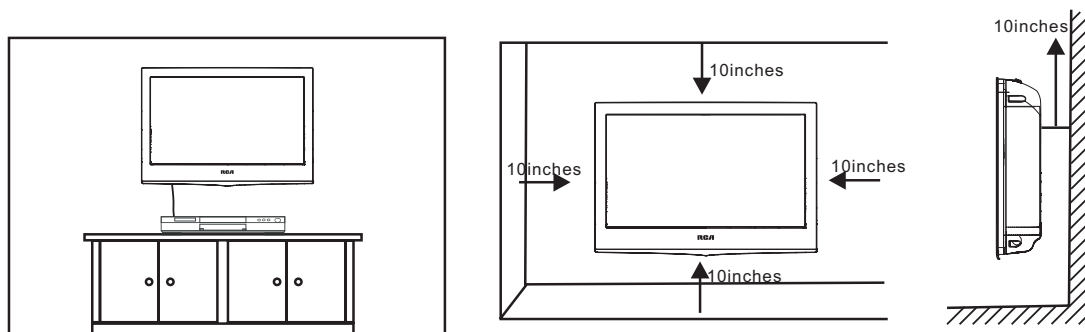
The wall brackets bolt position



- (2) Remove the table stand of the TV when install the TV on a wall as follow:



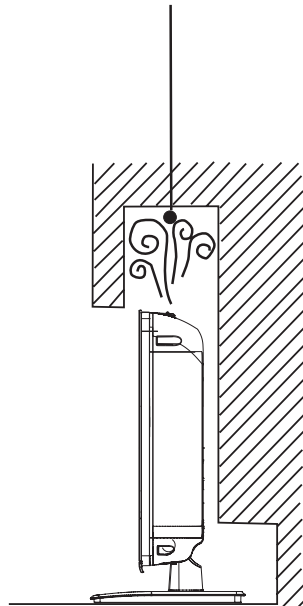
- (3) For proper ventilation, allow a clearance of 10" on each side from the wall.



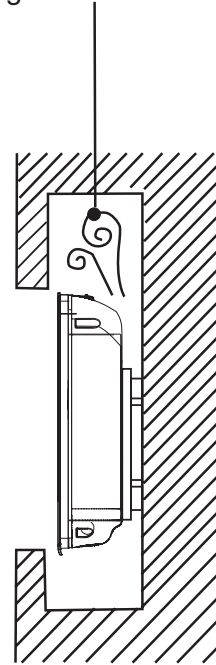
## NOTES OF WALL INSTALLATION

- (1) Keep the TV stand for may be future use.
- (2) Don't set the TV set on shelves, carpets, beds, or closets.
- (3) Don't cover the TV with curtain or paper.
- (4) Leave ventilation space to avoid the following:

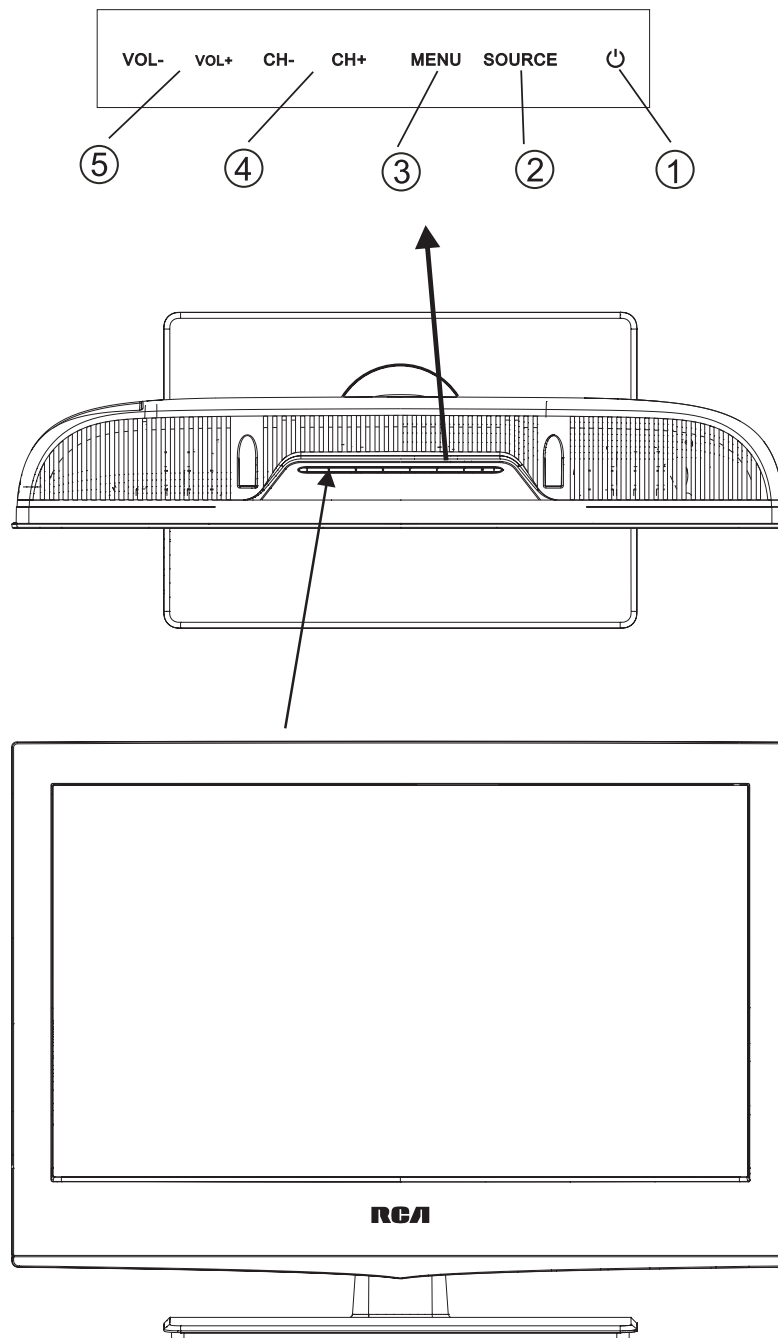
No good for ventilation



No good for ventilation



## Top panel diagram

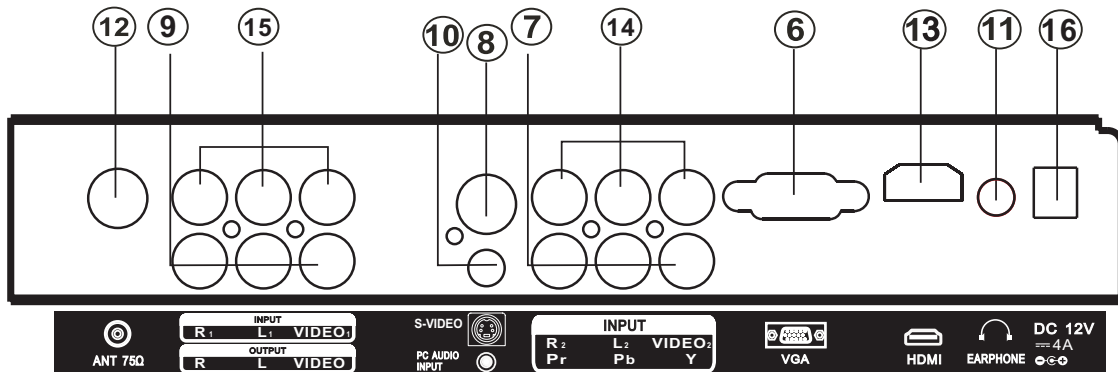


- 1. **⏻**: Turn on/off POWER.
- 2. **SOURCE**: Source select
- 3. **MENU**: Into or exit from menu  
(Use CH+/- button select item,  
VOL+/- button adjust item)

- 4. **CH+/-**: Select channel
- 5. **VOL+/-**: Adjust Volume




# Side panel diagram

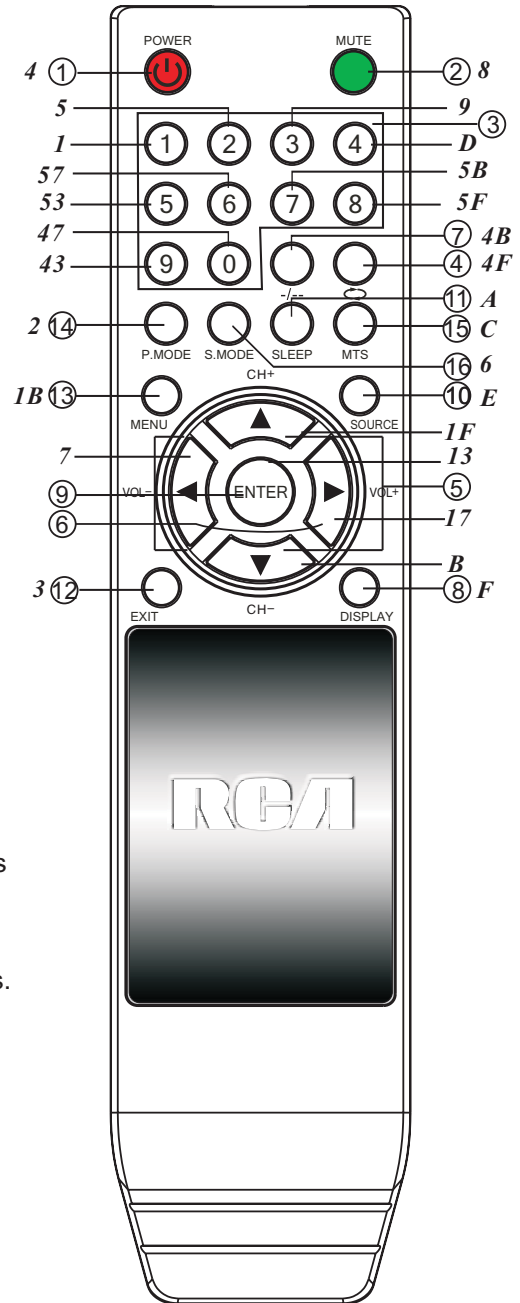


- 6. **VGA Input:** PC analog signal input
- 7. **YPbPr:** Color difference components input and relevant video input
- 8. **S-VIDEO:** Color and brightness difference components input.
- 9. **AV Output**
- 10. **VGA/AUDIO:** VGA audio input.

- 11. **EARPHONE Output** (3.5mm)
- 12. **ANT 75 ohm:** Connect the antenna to the antenna input.
- 13. **HDMI Input:** Digital signal input from HDMI video connector
- 14/15. **VIDEO/R/L1/2:** external AV signal input and relevant right/left sound channel.
- 16. **POWER(DC IN)** Connect to Mains Adapter

# Remote Controller

- ① **POWER** : Sets your TV to power on or standby mode.
- ② **MUTE** : Press to mute the sound. Press again or press VOL+ to unmute.
- ③ **0--9** Press 0~9 to select a TV channel directly while watching TV. The channel will change after 2 seconds. Applicable for entering page number in teletext mode and so on.
- ④  Return to the previously viewed program.
- ⑤ **CH +/-** : Press to scan through or to select a channel.
- ⑥ **V +/-** : Press to increase / decrease the sound level.
- ⑦ **- / - -** Press this button to enter a program number for different digit. eg. - / - - / - - -
- ⑧ **DISPLAY** : Press to display the source and channel's info.
- ⑨ **(▲ / ▼ / ◀ / ▶ / ENTER )**  
Allows you to navigate the on-screen menus and adjust the system settings to your preference.
- ⑩ **SOURCE**: Press to list the source items.
- ⑪ **SLEEP**: Select amount of time before TV turn itself off automatically.
- ⑫ **EXIT**: Exits from the menu or sub-menu and menus and adjust the system settings to your preference.
- ⑬ **MENU** : Allows you to navigate the on-screen menus.
- ⑭ **P.MODE** : Press to cycle through the different picture settings
- ⑮ **MTS** : Press to select the MTS mode. (for example, Nicam , BTSC, MONO, STEREO .eg )
- ⑯ **S.MODE**: Press to cycle through the different sound settings.



**Universal Remote Control code: 007F**

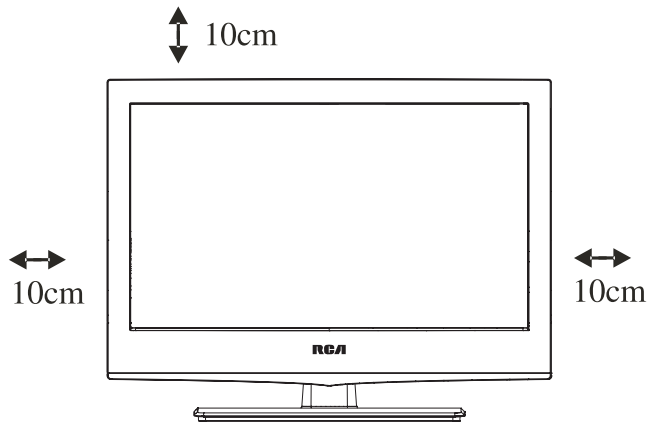
## Battery Installation:

Remove the battery compartment lid on the rear of the remote control by sliding the lid down, then off. Put two AAA batteries inside the battery compartment with their + and - ends aligned as indicated. Do not mix old and new batteries or different types of batteries. Replace the battery compartment lid. Slide the lid until you hear it click into place.

## Using the Remote Control:

Unless stated otherwise, the remote control can operate all the features of the TV. Always point the remote control directly at the remote sensor in the front of the TV.

# Install and connect TV



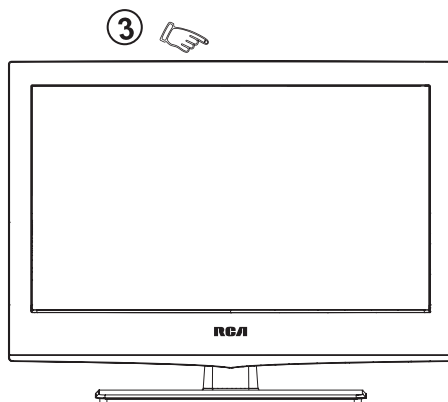
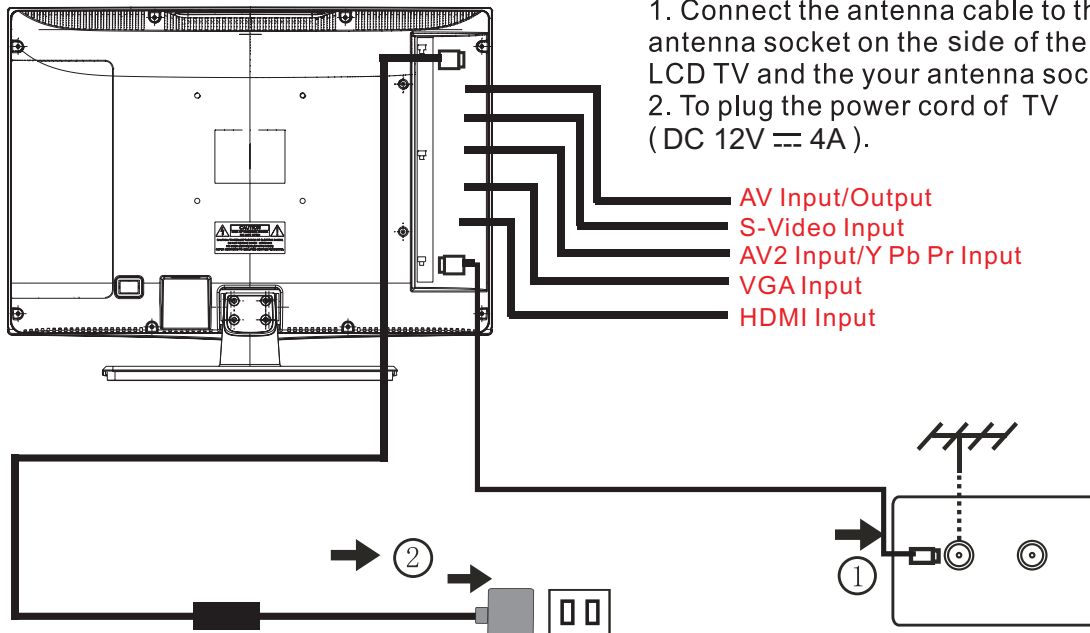
## Set your TV

To put your TV in a firm place which can bear the weight of the TV.

To avoid danger, please don't expose the TV near water or heating place (such as light, candle, heating machine), do not block the ventilation at the back of TV.

## Connect Antenna and power

1. Connect the antenna cable to the antenna socket on the side of the LCD TV and the your antenna socket.
2. To plug the power cord of TV (DC 12V = 4A).



## Turn On TV

3. Press the power button of the TV the indication light will turn to green. If the indicator is in standby mode (the light is red), press the power button on the remote control or top of the TV.

**NOTE** Picture for reference purposes only.

## Description of Operation

### 1. Power on/off

After power is connected, press power on/off button, and the power indicator will be on; if the indicator is red, it indicates that the TV set is in the standby state. Press "Power" button on the remote control, and the power indicator will turn green, so the TV set is on. Please disconnect power supply before leaving the TV out of use for an extended period of time.

#### Note:

(1) In the TV signal mode, when there is no signal for 5 minutes or more, the TV set will automatically access the standby state. If restart is required, please press "power" button or CH "▼/▲" button on the remote control.

(2) Try not to repeat switching on/off the unit repeatedly within a short time.

### 2. Input switching

Press "**Source**" button to select the input signal with the switching sequence as TV — AV (AV1 — AV2) — S-VIDEO — YPBPR — HDMI — PC

### 3. Volume control

Press the functional buttons on the panel or "VOL▲ or VOL▼" button on the remote control to increase or decrease Volume. The volume control menu will be displayed on the screen.

### 4. Mute

Press "Mute" button on the remote control to switch off sound, and the mute mark will be displayed on the screen; press "**MUTE**" button or VOL▲ button once again to cancel mute.

### 5. Screen display of input signals

Press "DISPLAY" button on the remote control, and the current input signals will be displayed on the screen. In several seconds, such display information will disappear automatically.

### 6. Sleep timer

Press "SLEEP" button on the remote control to be able to set the waiting time for the TV set to automatically turn to the standby state. The current sleep time will be displayed on the screen (unit: minute); to repeatedly press "SLEEP" button, you can select different times, with the switching sequence as:

off — 15 — 30 — 45 — 60 — 120;

### 7. Picture mode

Press "P.MODE" picture mode button on the remote control to be able to select from different picture modes, at the sequence of Normal — Soft — Dynamic — User.

### 8. Fast review

While watching TV, press "RECALL" button on the remote control to be able to return to the TV program you previously watched. If you select no other program after the unit is switched on, it will be invalid to press this button.

## 9. Operation menu

This TV set allows you to adjust any settings by selecting from the menu screens.

### Menu button



Press this button to display main menu, including **Picture**, **Sound**, **OSD**, **Function**, **Channel** menu. You can select them by pressing the “◀ / ▶” buttons, and enter the submenu by pressing “▲ / ▼” key. The selected item will change to highlight colour. Press Menu to exit sub-menu.

### Picture menu



When the source input is “TV”, “AV”, “S-Video”, “YPbPr”, or “HDMI”, the **Picture** menu appears. You can choose **Contrast**, **Brightness**, **Tint**, **Sharpness** and **Tint** (in NTSC system) items by pressing “▲ / ▼” Buttons. You can adjust the item selected by pressing “◀/▶”.

In **Color Temp.** item: you can switch between items as “Normal”, “Warm”, “Cool”

In **ASPECT** item: you can choose “16 :9”, “4 :3”.

In **PICTURE MODE** item: you can choose “Normal”, “Soft”, “Dynamic”, “User”.

### SOUND



Enter this menu, you can select **Bass**, **Treble**, **Balance**, **Sound Mode** and **AVC** items by pressing

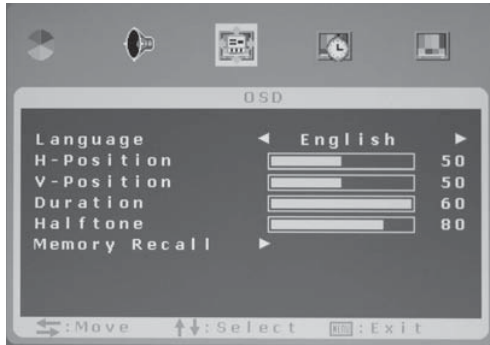
“▲ / ▼” Buttons. you can adjust the item selected by pressing “◀/▶”.

In **Sound Mode** item: you can switch between items as following.

Normal-----News-----Music-----User

In **AVC** item: you can switch between On and Off.

## Osd menu



Enter this menu, you can select **OSD Language**, **OSD H-Position / OSD V-Position** and **Duration** items by pressing “▲ / ▼” buttons.

**Language** item: You can select different language displayed on OSD.

**H-position** item: Press the “◀ / ▶” buttons to adjust the OSD Horizontal position.

**V-position** item: Press the “◀ / ▶” buttons to adjust the OSD Vertical position.

**Duration** item: press “▲ / ▼” button to select duration item, press “◀ / ▶” button to adjust the duration of menu.

**Halftone** item: press “▲ / ▼” button to select halftone item, press “◀ / ▶” button to adjust the halftone of menu.

**Memory Recall** item: press “▲ / ▼” button to select memory item, press “▶” button and reset to default setting automatically.

## FUNCTION menu



Enter this menu, you can select **Sleep Timer**, **Advance**, **Subtitles**, **Parent Control** items by pressing “▲ / ▼” buttons.

1. In **Sleep Timer** item, You can select different times, with the switching sequence as:

OFF – 15 – 30 – 45 – 60 – 120;

2. In **Advance** item, Press “◀/▶” button to enter sub menu, as below figure.

2.1. In **DLC** item Press “◀/▶” button to set the Black Level Extension function, Which can choose “On”, “Off” modes.

2.2. In **3D NR** item, Press “◀/▶” button to set the noise reduction function of TV set, which can choose “On”, “Off” modes.

3. In **Subtitles** item, You will see as following

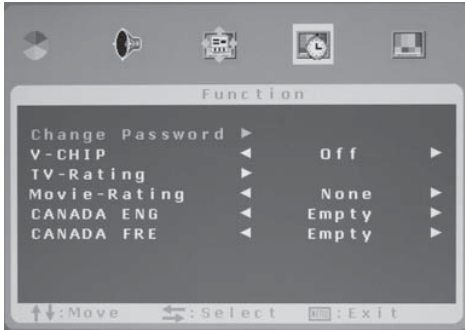
CC1 → CC2 → CC3 → CC4 → T1  
 ↑ OFF ← T4 ← T3 ← T2 ← ↓

4. **Parent Control**

press “◀/▶” to enter the sub menu of **Function**.



## PARENT CONTROL

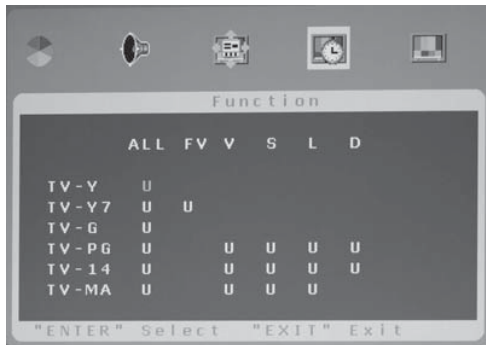


While you select **Parent Control** item in **Function** menu, the correct password is needed to enter the sub menu . Usually, the default key is the num "0000". Once you input correct password.

**Change Password** item: select this item to enter Change password menu.

**V-CHIP** item: switch between On and Off.

## TV Rating

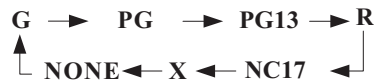


**TV Rating** item : To enter **TV Rating** setting menu.

Press "▲ / ▼" or "◀ / ▶" to highlight item, press <ENTER> button to change settings, and press menu to exit.

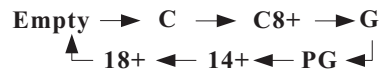
Items	Hint
TV-Y	Young children
TV-Y7	Children 7 and over
TV-G	General audience
TV-PG	Parental guidance
TV-14	Viewers 14 and over
TV-MA	Mature audience

**Movie Rating** item: You will see as following



- **G**: General audience (no restrictions).
- **PG**: Parental guidance suggested.
- **PG-13**: Parents strongly cautioned.
- **R**: Restricted. Children under 17 should be accompanied by an adult.
- **NC-17**: No children under age 17.
- **X**: Adults only.
- **NONE**: Not rated

**CANADA ENG**, You will see as following



- **Empty**: Exempt programming includes...programming, talk shows,
- **C**: Programming intended
- **C8+**: Programming generally on their own.
- **G**: General programming,
- **PG**: Parental Guidance.
- **14+**: Programming contains the age of 14.
- **18+**: Adult programming.

**CANADA FRE**, You will see as following



- **Empty:** Exempt programming includes... news, programming, talk shows, music videos,
- **G:** General programming.
- **8 ANS +:** Not recommended for young children.
- **13 ANS +:** Programming may not be suitable for.
- **16 ANS +:** Programming is not suitable for children.
- **18 ANS +:** Programming restricted to adults.

### Change Password



**Change password** menu: enter new password then press Enter button to enter confirm item.

### CHANNEL menu



In this menu you can complete the tune function. Select the Auto Scan item and press “◀ / ▶” button to begin search program. After finished search, the program will go to Channel NO.1. The picture will appear and the sound will be out.

#### 1. Channel

You can select the channel by pressing “◀ / ▶” button.

#### 2. Source

In this item, you can set source amount Air, CATV-STD, CATV-IRC, CATV-HRC.

#### 3. Add / Erase

Channel No. is available when this item is set to Add.

#### 4. Auto Scan

Press “◀ / ▶” button to start search program automatically from V-L to UHF, the searched program will be stored orderly.



### PC menu



Specially when you set the source input as “PC”, the first Menu Page will appears, named **PC** menu . You can choose **Brightness**, **Contrast** items by pressing “▲ / ▼” Buttons. You can adjust the item selected by pressing “◀/▶”.

1. In **Aspect** item: Press “◀/▶” button to adjust the aspect of picture, which can choose “**16: 9**” or “**4 :3**” modes.



## Color TEMP



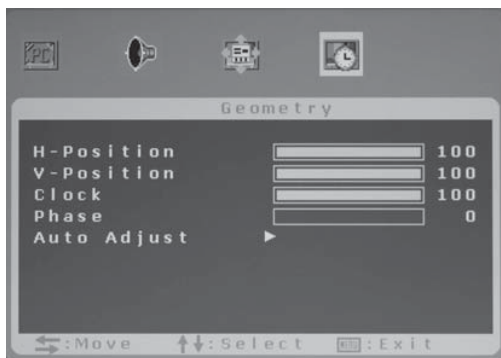
**Color Temp** menu: Press “◀/▶” button to select the **Color.Temp** item , which can choose “NORMAL , WARM, COOL, USER” modes.

User-R: When you set the Color Temp as “User”, Press “VOL+/-” button to adjust red of picture.

User-G: When you set the Color Temp as “User”, Press “VOL+/-” button to adjust green of picture.

User-B: When you set the Color Temp as “User”, Press “VOL+/-” button to adjust blue of picture.

## Geometry



This menu is only for PC monitor mode (VGA input).

### 1. H-Position / V-Position

Press the “◀ / ▶” buttons to adjust the picture Horizontal and Vertical position.

### 2. Clock

Press the “◀ / ▶” to adjust the sampling ratio of picture. It can affect the display size of picture.

### 3. Phase

When necessary, you can adjust the sampling phase of picture. It can make the picture clear.

### 4. Auto Adjust

Select auto Adjust to adjust the screen position automatically. It will take a few seconds.

## Note:

1. If the set is cold, there may be a small "flicker" when the set is switched on. It is normal. There is nothing wrong with the set .
2. Some dot defects may appear on the screen, like red. green or blue. Spots, However, this will have no impact or effect on the monitor performance.
3. Do not press the LCD screen with your finger for a long time as it may incur some damage to the screen.

# RESOLUTION

## VGA

Resolution	<b>800x600</b>	<b>1024x768</b>	<b>1366x768</b>
Vertical frequency Hz	<b>60</b>	<b>60</b>	<b>60</b>

## HDMI

Resolution	<b>480i</b>	<b>480p</b>	<b>576i</b>	<b>576p</b>	<b>720p</b>	<b>1080i</b>	<b>1080p</b>
Vertical frequency Hz	<b>60</b>	<b>60</b>	<b>50</b>	<b>50</b>	<b>50/60</b>	<b>50/60</b>	<b>50/60</b>

## YPBPR

Resolution	<b>480i</b>	<b>480p</b>	<b>576i</b>	<b>576p</b>	<b>720p</b>	<b>1080i</b>	<b>1080p</b>
Vertical frequency Hz	<b>60</b>	<b>60</b>	<b>50</b>	<b>50</b>	<b>50/60</b>	<b>50/60</b>	<b>50/60</b>

# HELP

No Power	Check the AC cord of TV is plus in or not. If still no power, please Pull out the plug and replug in after 60 seconds. And open the TV again.
Signal receive not properly	To cause double image or phantom if there has high building or high mountain round -TV. You can adjust image effect by manually operation: consult instruction of vernier regulation or change the direction of external antenna. If you use the indoor antenna . under certain circumstance, receive will be more difficult .So you can change the direction of the antenna to adjust the image effect . If can't change image receiving effect either , you have to use external antenna.
No picture	Check the antenna at the back of TV is connected properly or not. Try to select other channels and check whether the TV problem itself or not.
Video is ok ,but without audio	Increase the volume. Check the TV is in mute mode or not , and please press the mute button to make sound resume.
Audio is ok, but color error or no picture.	Increase contrast and brightness.
snow statics picture and noise	Check the antenna at the back of TV is connected or not .
Level broken line	Maybe has electrical appliance interfere, such as hair drier, vacuum cleaner and so on, please turn off these kinds of electrical appliance.
Dual-Image or "simulacrum" The TV no response with the Remote.	Perhaps the location for the antenna is not good. Use the tall beamed antenna can be improved quality of the display image. Operate the remote direct to the remote sensor on the TV. If still no response for the TV, please check if the plastic bag on the remote take or not. And check if the location for the battery is correct. Change the new battery. The TV will shift to the STAND BY if no response from the remote in the few minutes.
NO Video In. (PC Mode)	Please check if the display cable connect to the VGA correcte . Please check if there has the bend on the display cable.
Vertical twinkling (PC Mode)	Enter the main menu, Use the clock regulator for the Video display noise to eliminate the vertical line.
horizontal ripping (PC Mode)	Adjust the Audio sound horizontal in the main menu to clear the horizontal ripping line.
The screen is too bright or too dark (PC Mode)	Adjust the contrast ratio or brightness in the main menu.
PC Function no response	Check the computer setting in the state of compatible display resolution
Ripping line in RCA connecting	Please use good quality connecting cable.
Problem still exist	Unplug the power cable and wait for 30 seconds, then connect. If there is some problem with our TV, do not repair it by yourself, please contact with the customer service center.

Note: There will be complete picture and the brightness will come down if the TV is in the static picture for too long time. So please do not keep the TV in a state of same Menu or same picture that has much difference in brightness and contrast ratio for too long time.

# SPECIFICATIONS

Screen Size	19"
TV system	NTSC M PAL M/N
Video system	NTSC/PAL
Preset Channels	AIR : 2-69 CATV : 1-125
Input/Output	IN:VGA, A/VX2, S-VIDEO, HDMI, Y PBPR, PC Audio input ANT 75Ω. OUT: EARPHONE, A/V.
Audio output power	3Wx2
Power requirement	DC 12V ≍ 4A
Max. power consumption	<48W
Accessories	User's manual      Remote controller      Power cord AC adaptor      2 x AAA Batteries

**NOTE:**

This user manual is for reference only. Specifications are subject to change without notice.

## Free Manuals Download Website

<http://myh66.com>

<http://usermanuals.us>

<http://www.somanuals.com>

<http://www.4manuals.cc>

<http://www.manual-lib.com>

<http://www.404manual.com>

<http://www.luxmanual.com>

<http://aubethermostatmanual.com>

Golf course search by state

<http://golfingnear.com>

Email search by domain

<http://emailbydomain.com>

Auto manuals search

<http://auto.somanuals.com>

TV manuals search

<http://tv.somanuals.com>