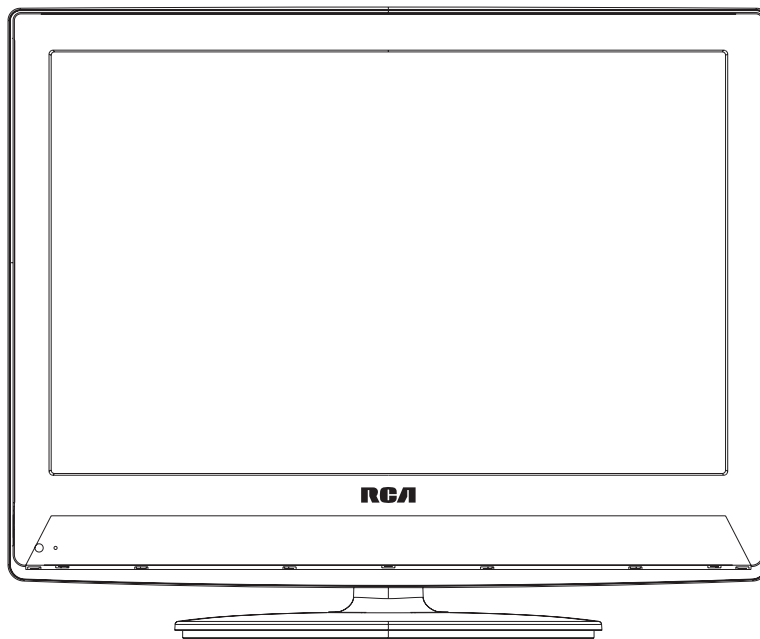


INSTRUCTION MANUAL

RCA

LCD TV



RLCVD1924

IMPORTANT

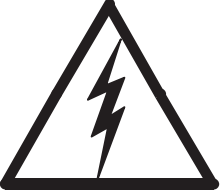



Please read this manual carefully before installing and operating the TV
Keep this manual handy for further reference



Table of Contents

Safety Information	2
Important Safety Precautions	3
INSTALLATION	4-6
Front/Back panel diagram	7-8
Remote Controller	9-10
Battery Installation	
Using the Remote Control	
Install TV	11
Set your TV	
Connect Antenna and power	
Turn On TV	
Description of Operation	12-13
PICTURE MENU	13
SOUND MENU	13
TUNE MENU	14
FUNCTION MENU	14
PARENT CONTROL	15
CHANGE PASSWORD	15
TV RATOMG	16
OSD MENU	16
PC MENU	16
COLOR TEMP	17
GEOMETRY	17
DVD Setup	18-24
RESOLUTION	25
HELP	26
SPECIFICATIONS	27

Safety Information

	<p>CAUTION</p> <p>RISK OF ELECTRIC SHOCK, DO NOT OPEN</p>	
<p>Caution: To reduce the risk of electric shock do not open this device, there are not serviceable parts for customers. Please refer any maintenance or repair to qualified personnel.</p>		
	<p>This sign means the existence of dangerous voltage at the inside of the unit, which states a risk of electric shock.</p>	
	<p>This sign means that there are important instructions of operation and handling in the manual that comes with this device.</p>	

Important Safety Precautions

Read these instructions.
Keep these instructions.
Heed all warnings.
Follow all instructions.

Please refer to the specification sheet on page 21 for the character of this TV set.
Do not break the earth pin of the plug, if the plug can not fit the electrical outlet,
please turn to the professional for help.

Please unplug the TV power cord when the following conditions occur:
--When there is a thunder storm (Please pull out the power cord and antenna)
--When Cleaning the TV set
--When the TV set not used for a long time.

- Do not use corrosive depurative when cleaning the TV set.
- Do not put the TV set under direct sunlight or near to the heat.
- Do not put the naked light, for example, the lighting candle or the heater, on the top of or near to the TV set.

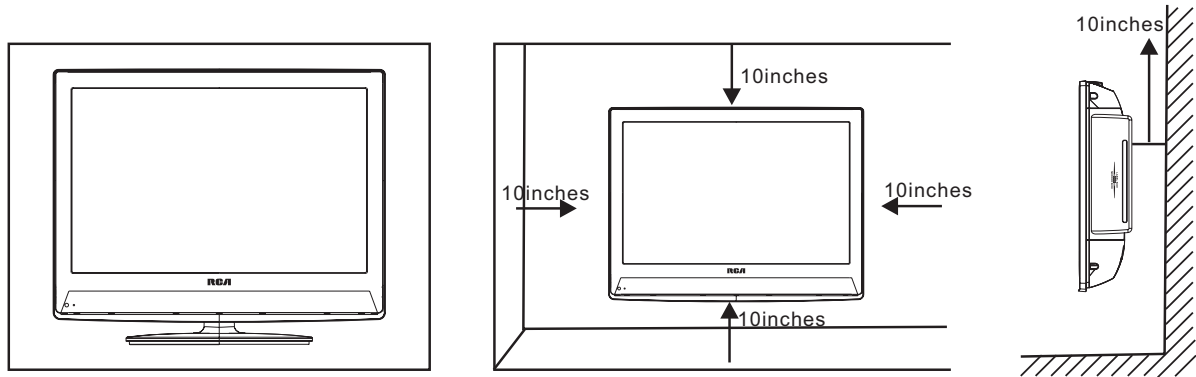
Leave plenty of space (at least 1.0cm) around the TV set for ventilation

- Put the TV set away from where it can be ruined by the rain or water, (for example, near the window.)
- Do not put the container with liquid (like a vase) on the top of the TV set.
- Don't move away the TV set when turning on the power.
- Don't touch, push and scratch the surface of TV set with hard stuff.
- When the TV surface is dirty, please use the wetting cotton cloth or soft cloth with non-corrosive cleanser to clean it carefully. Don't use the acetone, toluene or alcohol to clean the TV sets.
- Be careful of the hydrosphere coagulation due to the temperature changing. The coagulated hydrosphere will damage inner electronic components. When the coagulated hydrosphere disappears, the TV screen may appear blur or spot.
- Be sure to ask technicians to install the TV sets on the wall. The incorrect installations will put the TV sets into the unsafe situation.
- Don't let the children climb up the TV sets or play near it in order to avoid being spilled from the TV sets or the TV sets damaged the children when falling down.
- Don't hit the panel with hard objects (such as high-speed football or other objects) to prevent the panel from damages.
- Don't cover the TV sets with quilts or other objects when it is working. Keep the heats dissipate and keep away from the fire.

INSTALLATION

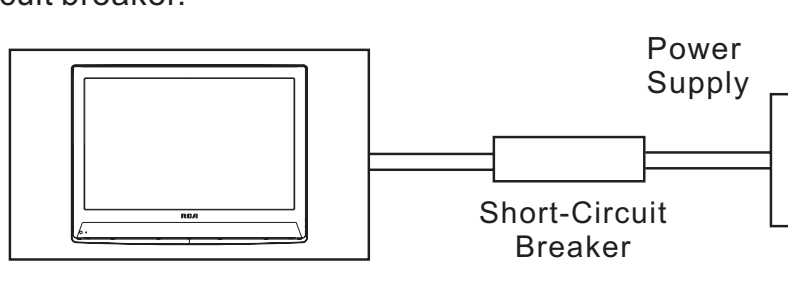
STANDARD INSTALLATION

- The TV can be installed in various ways such as on a wall, or on a desktop etc.



- The TV is designed to be mounted horizontally.

Ensure that you connect the earth ground wire to prevent possible electric shock. if grounding methods are not possible, have a qualified electrician install a separate circuit breaker.



Do not try to ground the unit by connecting it to telephone wires, lightning rods or gas pipes.

a. Desktop Pedestal Installation

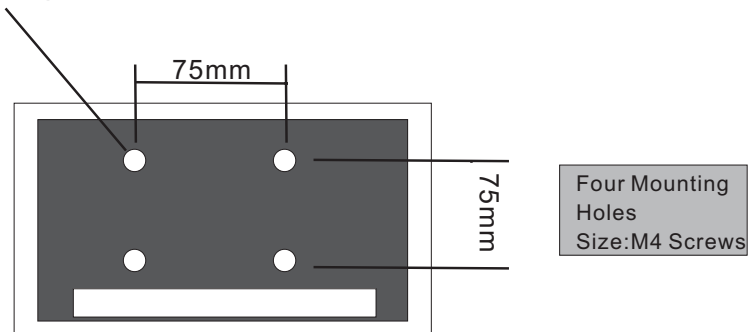
This is the default installation way of the TV.

STANDARD INSTALLATION

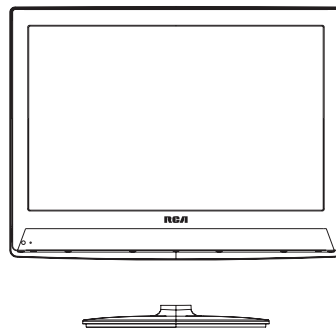
b. Wall Mount: Horizontal installation

- (1) Secure the wall brackets with the bolts(not provided as parts of the product, must purchase separately) on the wall. Match the height of the bracket that is mounted on the wall. The wall bracket is of normal dimension. Please see the position of the wall brackets bolts as follow picture. The actual dimension of the wall brackets bolt should according to the products.

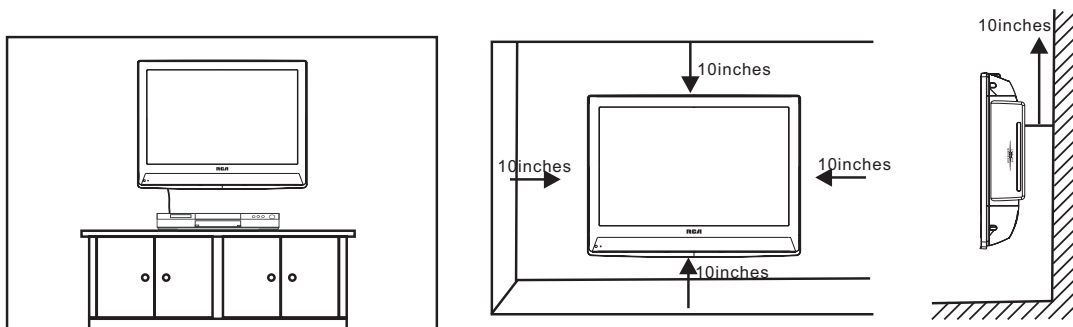
The wall brackets bolt position



- (2) Remove the table stand of the TV when install the TV on a wall as follow:



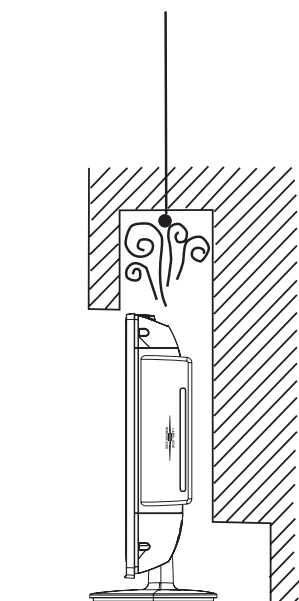
- (3) For proper ventilation, allow a clearance of 10" on each side from the wall.



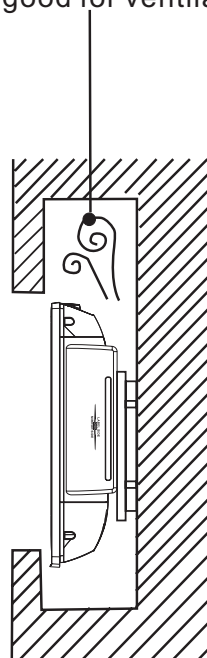
NOTES OF WALL INSTALLATION

- (1) Keep the TV stand for may be future use.
- (2) Don't set the TV set on shelves, carpets, beds, or closets.
- (3) Don't cover the TV with curtain or paper.
- (4) Leave ventilation space to avoid the following:

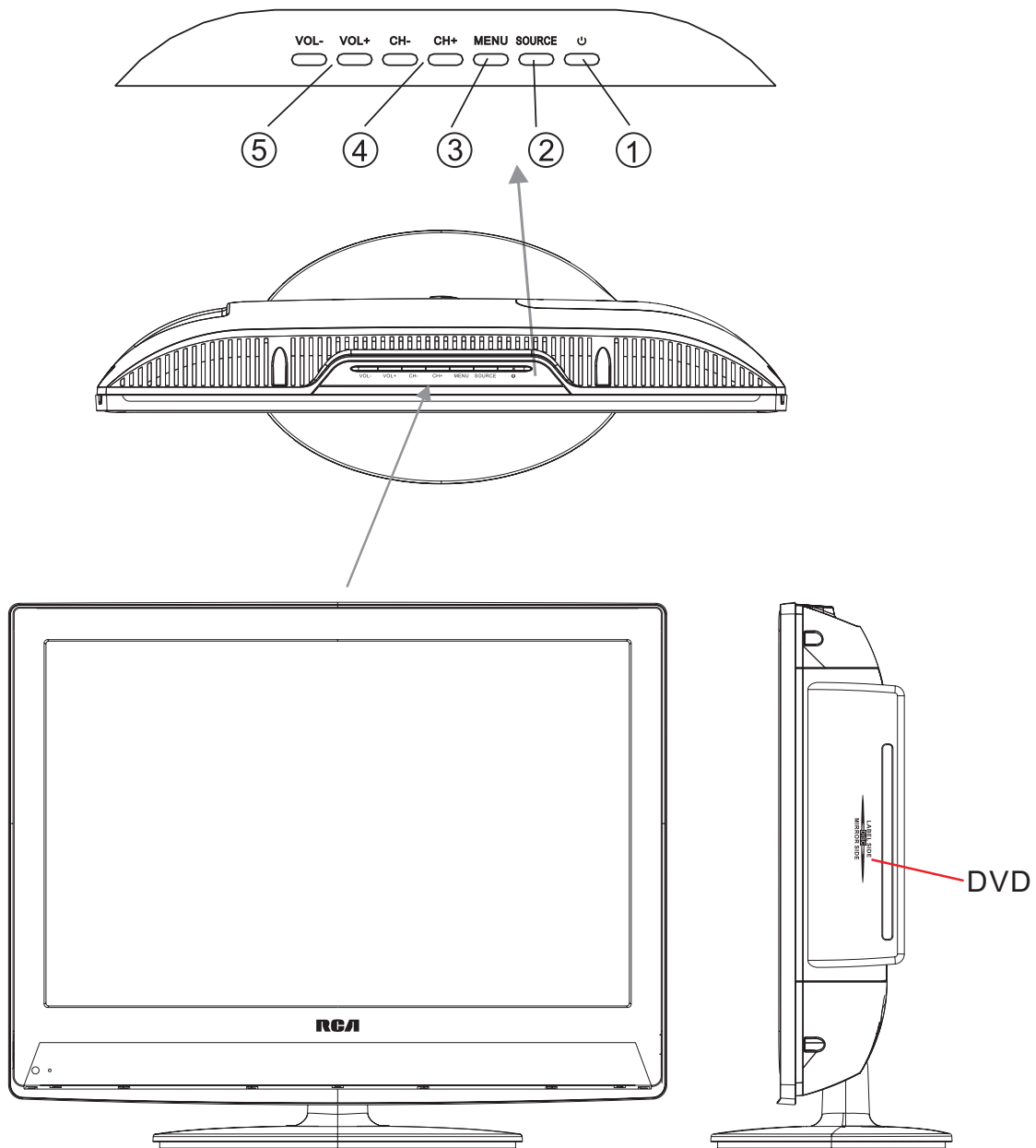
No good for ventilation



No good for ventilation



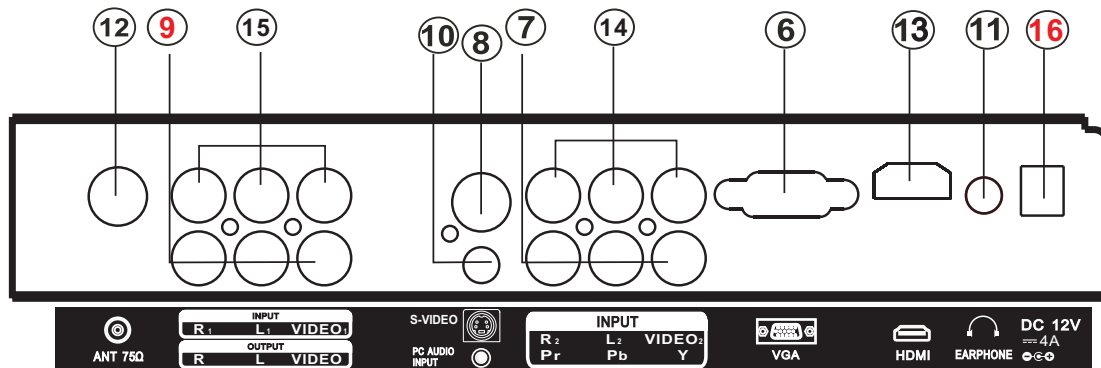
Front/Back panel diagram



- 1. **⏻**: Turn on/off POWER.
- 2. **SOURCE**: Source select
- 3. **MENU**: Into or exit from menu
(Use CH+/- button select item,
VOL+/- button adjust item)

- 4. **CH+/-**: Select channel
- 5. **VOL+/-**: Adjust Volume

Front/Back panel diagram



6. **VGA** Input: PC analog signal input

7. **YPbPr**: Color difference components input and relevant video input

8. **S-VIDEO**: Color and brightness difference components input.

9. **AV** Output

10. **VGA/AUDIO**: VGA audio input.

11. **EARPHONE** Output (3.5mm)


12. **ANT 75 ohm**: Connect the antenna to the antenna input.

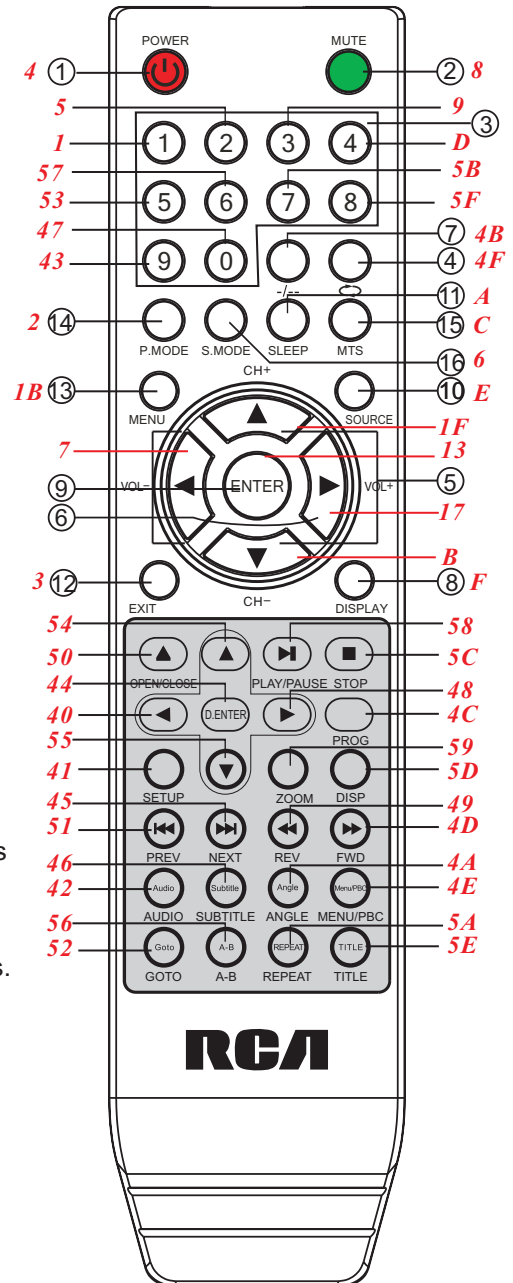
13. **HDMI Input**: Digital signal input from HDMI video connector

14/15. **VIDEO/R/L1/2**: external AV signal input and relevant right/left sound channel.

16. **POWER(DC IN)** Connect to Mains Adapter

Remote Controller

- ① **POWER** : Sets your TV to power on or standby mode.
- ② **MUTE** : Press to mute the sound. Press again or press VOL+ to unmute.
- ③ **0--9** Press 0~9 to select a TV channel directly while watching TV. The channel will change after 2 seconds. Applicable for entering page number in teletext mode and so on.
- ④  Return to the previously viewed program.
- ⑤ **CH +/-** : Press to scan through or to select a channel.
- ⑥ **V +/-** : Press to increase / decrease the sound level.
- ⑦ **- / - -** Press this button to enter a program number for different digit. eg. - / - - / - - -
- ⑧ **DISPLAY** : Press to display the source and channel's info.
- ⑨ (**▲ / ▼ / ◀ / ▶ / ENTER**)
Allows you to navigate the on-screen menus and adjust the system settings to your preference.
- ⑩ **SOURCE**: Press to list the source items.
- ⑪ **SLEEP**: Select amount of time before TV turn itself off automatically.
- ⑫ **EXIT**: Exits from the menu or sub-menu and menus and adjust the system settings to your preference.
- ⑬ **MENU** : Allows you to navigate the on-screen menus.
- ⑭ **P.MODE**: : Press to cycle through the different picture settings
- ⑮ **MTS** : : Press to select the MTS mode.(for example, Nicam , BTSC, MONO, STEREO .eg)
- ⑯ **S.MODE**: Press to cycle through the different sound settings.



CUSTOM CODE:007F

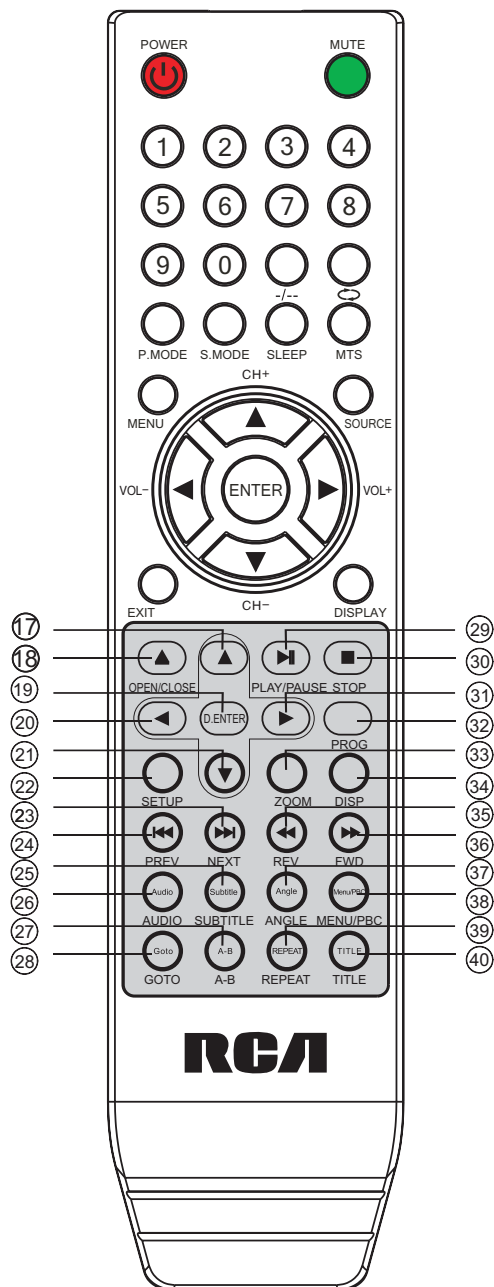
Remote Controller

①⑦/①⑨/②①/②②/③①. ▲▼◀▶ ENTER

When the DVD menu or system menu display on the TV screen and wait for selection, press these buttons to select an item in a menu. Moves an enlarged picture up/down/left/right.

Press this button to confirm a selection.

- ①⑧ ▲ DVD eject
- ②② **SETUP** DVD system setup.
- ②③ ▶▶ DVD next chapter.
- ②④ ◀◀ DVD previous chapter.
- ②⑤ **SUBTITLE** Select DVD disc subtitle.
- ②⑥ **AUDIO** Select DVD disc language.
- ②⑦ **A-B** Select and play the preferable paragraph of DVD program by pressing this key twice at the beginning and of it.
- ②⑧ **GOTO** Play your favorite title/chapter/track.
- ②⑨ ▶|| Play/Pause DVD program.
- ③① ■ Stop DVD program.
- ③② **PROG**
Press this button to change the playback order. It varies according to the different discs.
- ③③ **ZOOM**
In DVD source this buttons to adjust DVD picture size
- ③④ **DISP** Press display button to show the information of the DVD player.
- ③⑤ ◀◀ DVD fast reverse.
- ③⑥ ▶▶ DVD fast forward.
- ③⑦ **ANGLE** Select DVD picture angle.
- ③⑧ **MENU/PBC**
DVD disc menu. press this to access the menu.
- ③⑨ **REPEAT** Repeat playing the title or chapter.
- ④① **TITLE** Press to select the DVD title.



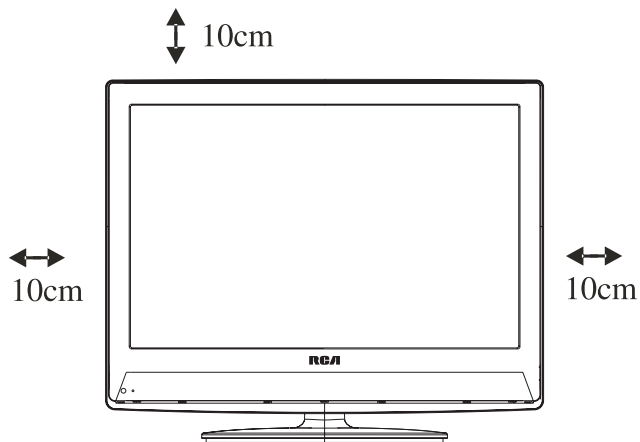
Battery Installation:

Remove the battery compartment lid on the rear of the remote control by sliding the lid down, then off. Put two AAA batteries inside the battery compartment with their + and - ends aligned as indicated. Do not mix old and new batteries or different types of batteries. Replace the battery compartment lid. Slide the lid until you hear it click into place.

Using the Remote Control:

Unless stated otherwise, the remote control can operate all the features of the TV. Always point the remote control directly at the remote sensor in the front of the TV.

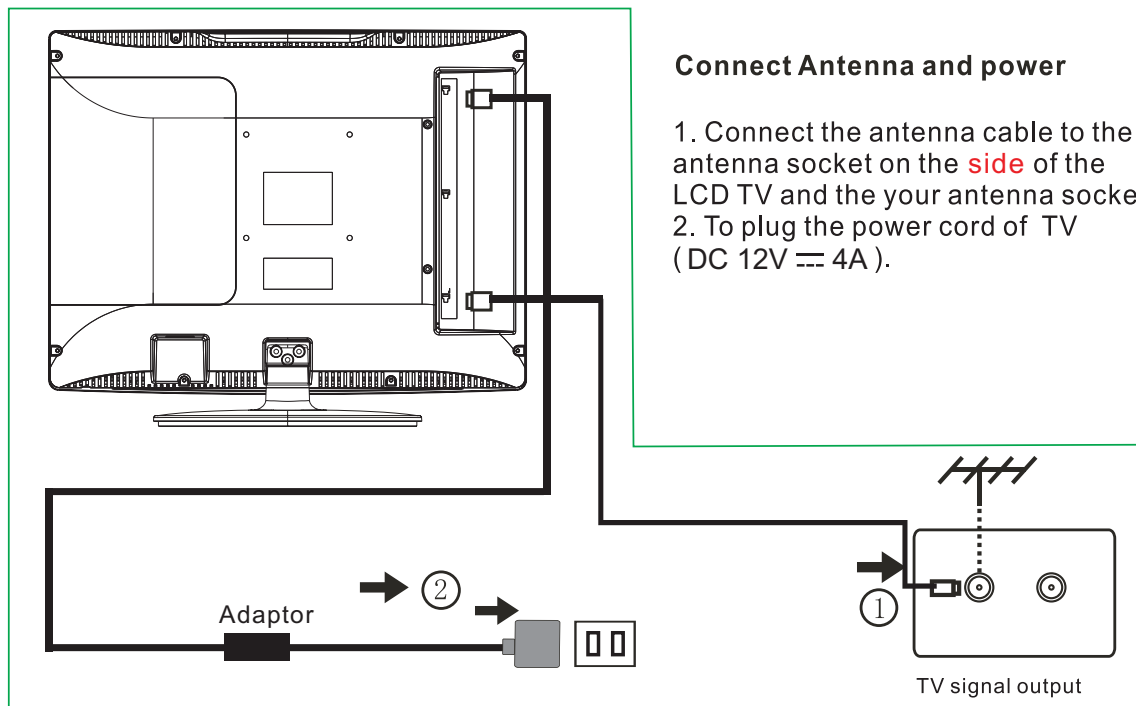
Install and connect TV



Set your TV

To put your TV in a firm place which can bear the weight of the TV.

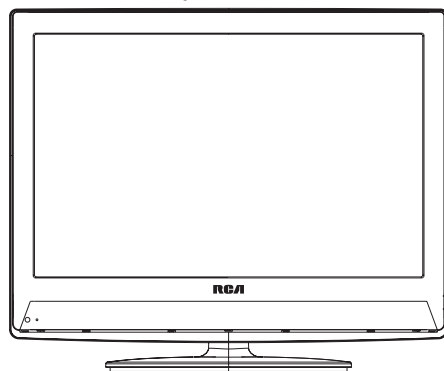
To avoid danger, please don't expose the TV near water or heating place (such as light, candle, heating machine), do not block the ventilation at the back of TV.



Connect Antenna and power

1. Connect the antenna cable to the antenna socket on the **side** of the LCD TV and the your antenna socket.
2. To plug the power cord of TV (DC 12V = 4A).

③



Turn On TV

3. Press the power button of the TV the indication light will turn to green. If the **indicator** is in standby mode (the light is red), press the power button on the remote control or top of the TV.

NOTE Picture for reference purposes only.

Description of Operation

1. Power on/off

After power is connected, press power on/off button, and the power indicator will be on; if the indicator is red, it indicates that the TV set is in the standby state. Press "Power" button on the remote control, and the power indicator will turn green, so the TV set is on. Please disconnect power supply before leaving the TV out of use for an extended period of time.

Note:

(1) In the TV signal mode, when there is no signal for 5 minutes or more, the TV set will automatically access the standby state. If restart is required, please press "power" button or CH "▼/▲" button on the remote control.

(2) Try not to repeat switching on/off the unit repeatedly within a short time.

2. Input switching

Press "Source" button to select the input signal with the switching sequence as TV — AV (AV1 — AV2) — S-VIDEO — YPBPR — DVD — HDMI — PC

3. Volume control

Press the functional buttons on the panel or "VOL▲ or VOL▼" button on the remote control to increase or decrease Volume. The volume control menu will be displayed on the screen.

4. Mute

Press "Mute" button on the remote control to switch off sound, and the mute mark will be displayed on the screen; press "MUTE" button or VOL▲ button once again to cancel mute.

5. Screen display of input signals

Press "DISPLAY" button on the remote control, and the current input signals will be displayed on the screen. In several seconds, such display information will disappear automatically.

6. Sleep timer

Press "SLEEP" button on the remote control to be able to set the waiting time for the TV set to automatically turn to the standby state. The current sleep time will be displayed on the screen (unit: minute); to repeatedly press "SLEEP" button, you can select different times, with the switching sequence as:

off — 15 — 30 — 45 — 60 — 120;

7. Picture mode

Press "P.MODE" picture mode button on the remote control to be able to select from different picture modes, at the sequence of Normal — Soft — Dynamic — User.

8. Fast review

While watching TV, press "RECALL" button on the remote control to be able to return to the TV program you previously watched. If you select no other program after the unit is switched on, it will be invalid to press this button.

9. Operation menu

This TV set allows you to adjust any settings by selecting from the menu screens.

Menu button



Press this button to display main menu, including **Picture**, **Sound**, **OSD**, **Function**, **Channel** menu. You can select them by pressing the “◀ / ▶” buttons, and enter the submenu by pressing “▲ / ▼” key. The selected item will change to highlight colour. **Press Menu to exit sub-menu.**

Picture menu



When the source input is “TV”, “AV”, “S-Video”, “YPbPr”, or “HDMI”, the **Picture** menu appears. You can choose **Contrast**, **Brightness**, **Tint**, **Sharpness** and **Tint** (in NTSC system) items by pressing “▲ / ▼” Buttons. You can adjust the item selected by pressing “◀/▶”.

In **Color Temp.** item: you can switch between items as “Normal”, “Warm”, “Cool”

In **PICTURE MODE** item: you can choose “Normal”, “Soft”, “Dynamic”, “User”.

In **ASPECT** item: you can choose “16 :9”, “4 :3”.

SOUND



Enter this menu, you can select **Bass**, **Treble**, **Balance**, **Sound Mode** and **AVC** items by pressing

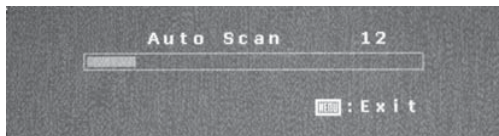
“▲ / ▼” Buttons. you can adjust the item selected by pressing “◀/▶”.

In **Sound Mode** item: you can switch between items as following.

Normal----News----Music----User

In **AVC** item: you can switch between On and Off.

TUNE menu



In this menu you can complete the tune function. Select the Auto Scan item and press “◀ / ▶” button to begin search program. After finished search, the program will go to Channel NO.1. The picture will appear and the sound will be out.

1. Channel

You can select the channel by pressing “◀ / ▶” button.

2. Auto Scan

Press “◀ / ▶” button to start search program automatically from V-L to UHF, the searched program will be stored orderly.

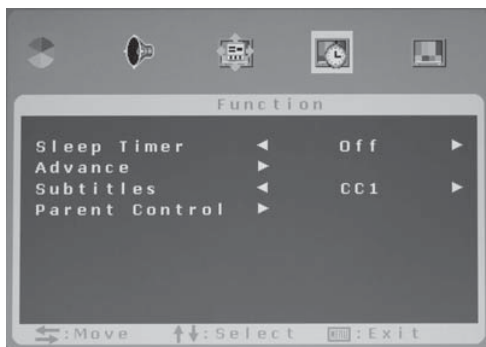
3. Add / Erase

Channel No. is available when this item is set to Add.

4. Source

In this item, you can set source amount Air, CATV-STD, CATV-IRC, CATV-HRC.

FUNCTION menu



Enter this menu, you can select **Sleep Timer, Advance, Subtitles, Parent Control** items by pressing “▲ / ▼” buttons.

1. In **Sleep Timer** item, You can select different times, with the switching sequence as:

OFF – 15 – 30 – 45 – 60 – 120;

2. In **DLC** item, Press “◀/▶” button to set the Black Level Extension function, Which can choose “On”, “Off” modes.

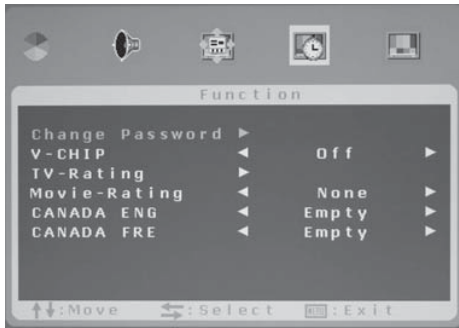
3. In **3D NR** item, Press “◀/▶” button to set the noise reduction function of TV set, which can choose “On”, “Off” modes.

4. In **Subtitles** item , You will see as following
 CC1 → CC2 → CC3 → CC4 → T1
 ↑ T4 ← T3 ← T2 ←

5. Parent Control

press “◀/▶” to enter the sub menu of **Function**.

PARENT CONTROL

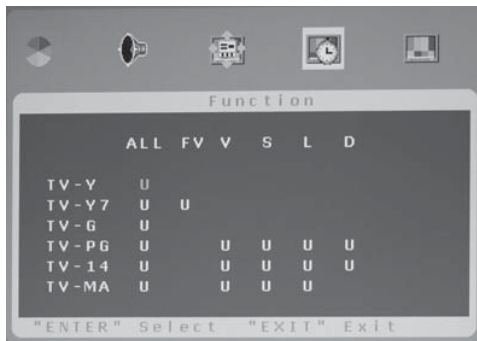


While you select **Parent Control** item in **Function** menu, the correct password is needed to enter the sub menu . Usually, the default key is the num "0000". Once you input correct password.

Change Password item: select this item to enter Change password menu.

V-CHIP item: switch between On and Off.

TV Rating



TV Rating item : To enter **TV Rating** setting menu.

Press "▲ / ▼" or "◀ / ▶" to highlight item, press <ENTER> button to change settings, and press menu to exit.

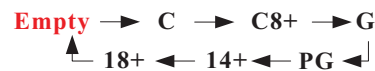
Items	Hint
TV-Y	Young children
TV-Y7	Children 7 and over
TV-G	General audience
TV-PG	Parental guidance
TV-14	Viewers 14 and over
TV-MA	Mature audience

Movie Rating item: You will see as following



- **G**: General audience (no restrictions).
- **PG**: Parental guidance suggested.
- **PG-13**: Parents strongly cautioned.
- **R**: Restricted. Children under 17 should be accompanied by an adult.
- **NC-17**: No children under age 17.
- **X**: Adults only.
- **NONE**: Not rated

CANADA ENG, You will see as following



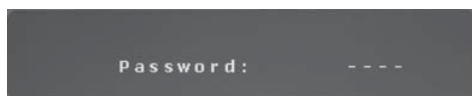
- **Empty**: Exempt programming includes...programming, talk shows,
- **C**: Programming intended
- **C8+**: Programming generally on their own.
- **G**: General programming,
- **PG**: Parental Guidance.
- **14+**: Programming contains the age of 14.
- **18+**: Adult programming.

CANADA FRE, You will see as following



- **Empty:** Exempt programming includes... news, programming, talk shows, music videos,
- **G:** General programming.
- **8 ANS +:** Not recommended for young children.
- **13 ANS +:** Programming may not be suitable for.
- **16 ANS +:** Programming is not suitable for children.
- **18 ANS +:** Programming restricted to adults.

Change Password



Change password menu: enter new password then press Enter button to enter confirm item.

Osd menu



Enter this menu, you can select **OSD Language**, **OSD H-Position / OSD V-Position** and **Duration** items by pressing “▲ / ▼” buttons.

Language item: You can select different language displayed on OSD.

H-position item: Press the “◀ / ▶” buttons to adjust the OSD Horizontal position.

V-position item: Press the “◀ / ▶” buttons to adjust the OSD Vertical position.

Duration item: press “▲ / ▼” button to select duration item , press “◀ / ▶” button to adjust the duration of menu.

Halftone item: press “▲ / ▼” button to select halftone item , press “◀ / ▶” button to adjust the halftone of menu.

Memory Recall item: press “▲ / ▼” button to select halftone item , press “◀ / ▶” button and reset to default setting automatically.

PC menu



Specially when you set the source input as “PC”, the first Menu Page will appears, named **PC** menu . You can choose **Brightness**, **Contrast** items by pressing “▲ / ▼” Buttons. You can adjust the item selected by pressing “◀ / ▶”.

1. In **Aspect** item: Press “◀ / ▶” button to adjust the aspect of picture, which can choose “**16: 9**” or “**4 :3**” modes.

Color TEMP



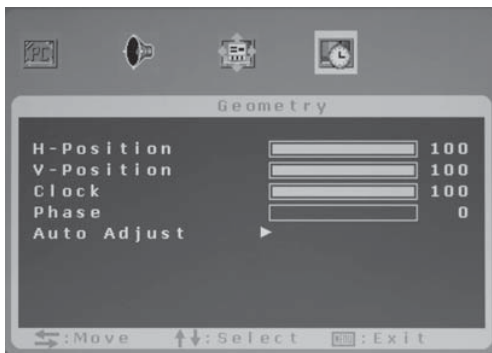
Color Temp menu: Press “◀/▶” button to select the **Color.Temp** item , which can choose “NORMAL , WARM, COOL, USER” modes.

User-R: When you set the Color Temp as “User”, Press “VOL+/-” button to adjust red of picture.

User-G: When you set the Color Temp as “User”, Press “VOL+/-” button to adjust green of picture.

User-B: When you set the Color Temp as “User”, Press “VOL+/-” button to adjust blue of picture.

Geometry



This menu is only for PC monitor mode (VGA input).

1. H-Position / V-Position

Press the “◀ / ▶” buttons to adjust the picture Horizontal and Vertical position.

2. Clock

Press the “◀ / ▶” to adjust the sampling ratio of picture. It can affect the display size of picture.

3. Phase

When necessary, you can adjust the sampling phase of picture. It can make the picture clear.

4. Auto Adjust

Select auto Adjust to adjust the screen position automatically. It will take a few seconds.

Note:

1. If the set is cold, there may be a small "flicker" when the set is switched on. It is normal. There is nothing wrong with the set .
2. Some dot defects may appear on the screen, like red. green or blue. Spots, However, this will have no impact or effect on the monitor performance.
3. Do not press the LCD screen with your finger for a long time as it may incur some damage to the screen.

Overview of Remote Control

DVD Mode

Press the DVD Setup button to activate the DVD player OSD menu, the DVD setting menu by the remote control the bottom section arrow buttons and ENTER button. press the Left/Right arrow buttons to move between the different sub-menus; press the Up/Down arrow buttons to highlight the preferred option confirm with the **D.ENTER** button. Press the DVD setup button to exit the OSD menu.

When in DVD mode, use the arrows in the bottom section of the remote to operate the menus etc.

EJECT BUTTON(▲)

Press the OPEN/CLOSE button when the power is on the disc will eject. Put the disc in the slot slightly, with the data side facing towards you. Press OPEN /CLOSE button again the disc is pulled in automatically, and the unit starts playing automatically (Without auto play function for JPEG discs).

MENU/PBC BUTTON

Press MENU/PBC button and the screen will display "Root Menu" select item according to your preference. (This button is valid to DVD disc possessing multilayer Menu). PBC button lets you play Video CDs, interactively. If PBC is on, you can use the number buttons to select tracks in the menu. If PBC is off, you can select the tracks directly.

AUDIO BUTTON

When play DVD, by pressing this button, you can change the audio language from the one selected at the initial settings to a different language, available.

REPEAT BUTTON

Press the REPEAT button one time, it repeats the chapter. Press it again and it repeats all chapters of the disc. Press REPEAT button one more time and the repeat function cancels.

A-B REPEAT BUTTON

Press the A-B button once to set point A Press the A-B button a second time to set point B. After setting the program repeat playing from A to B. Pressing the A-B button a third time will cancel the repeat.

TITLE BUTTON

Press TITLE button, there will have an screen indication "TITLE"

Press the direction or numeric buttons to select your favourite title. Will play from the first chapter of the selected title.(for DVD disc only)

D.ENTER: Validation key. (bottom section of D.ENTER button for DVD function only)

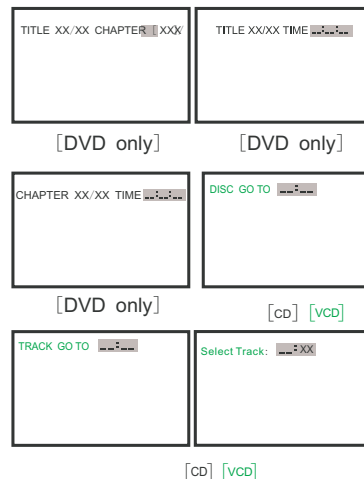
ARROW BUTTONS (◀▶/▲▼): Use to move cursor up/down/left/right. (direction buttons of bottom section for DVD function only)

SUBTITLE: This function may enable you to select multi subtitle languages (as many as 32 kinds only for the discs with multi subtitles encoded). Press the SUBTITLE button to get desired display.

DISP: Press DISP button to show the the information of the DVD player.

GO TO BUTTON

Press this button to go to desired position . The player provides 3 search mode.



On the remote control, the bottom section ARROW BUTTONS (◀▶/▲▼): Up and down buttons of the OSD menu, to change the OSD menu items; Left and right buttons of the OSD menu, to select the OSD menu items. (only for DVD function)

When the above items are showed on LCD screen, you can input numbers to locate desired sector.

The number you input is invalid if it is beyond the track's capacity.

PLAY AND PAUSE BUTTON(▶/⏸)

Press this button to start playback. Press this button again to pause playback.

STOP BUTTON(■)

Press **STOP** button once to stop. Press **▶/⏸** button to resume from where you stopped.

Press **STOP** button Twice to stop. Press **▶/⏸** button to start from beginning. In order to protect the disc, press **STOP** button then press **OPEN/CLOSE** button to take the disc out. When the disc is ejected, hold the disc edge to prevent scratches.

When not using the DVD function (in standby mode or using others modes for a long time), please take out the disc to protect the DVD loader and the disc.

PREV/NEXT BUTTON(◀/▶)

When playing a DVD disc, press PREV to play the previous chapter. when playing a SVCD, VCD, CD disc, press PREV to play the previous track.

When playing a DVD disc, press NEXT to play, the next chapter. when playing a SVCD, CD disc, press NEXT to PLAY the next track.

REV/FWD BUTTON(◀/▶)

To Use Fast Forward or Fast Reverse:

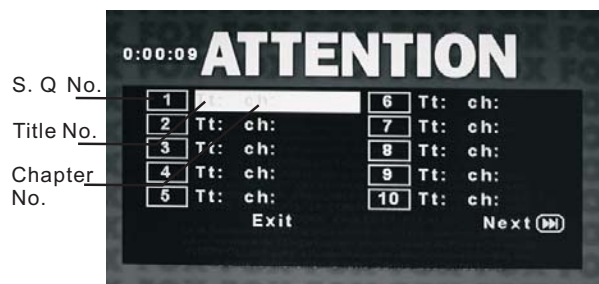
1. When playing a DVD, press FWD button to fast forward through the disc. Press REV button to fast reverse through the disc.
2. Press PLAY button to resume normal playback.

SETUP BUTTON

Press this button to get the setup menu . you can select the setting as you like .

PROGRAM

1. In DVD Mode, press PROG to enter programming and the TV will display as follows:



Use number key enter the title No. and the cursor will move to the chapter, enter the chapter No. by press number key again
Select "Start" and press D. ENTER to play programmed chapter
Select "Next" and press D. ENTER to turn to next page
Select "Exit" and press D. ENTER to quit program

2. In CD, VCD and SVCD play mode, press PROG to enter programming and the TV will display as follows:



Use number key enter the track No. and Select "Star" and press to play programmed chapter to play programmed track
Select "Next" and press D. ENTER to turn to next page
Select "Exit" and press D. ENTER to quit program

For VCD、SVCD、DVD discs, it can program 20 items mostly, when finish the first 10 programs please move the cursor to "Next" and press D. ENTER to turn to next page, please go ahead to program. If you want to change the programmed items please move the cursor to that item and use direction key to move to the location where you want to amend, enter the correct track No. Title No. or Chapter No.
◆The track No., Title No. or Chapter No. might be different as per different discs.
◆Please enter valid track No., Title No. or Chapter No. when programming.

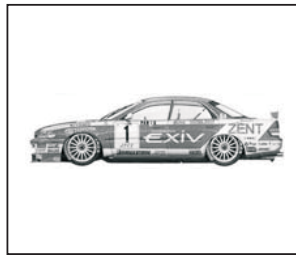
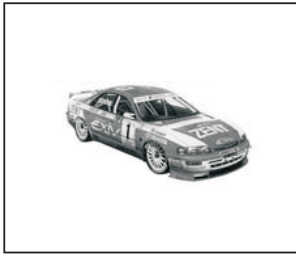
ZOOM

Press ZOOM to view different kind of zoomed pictures.

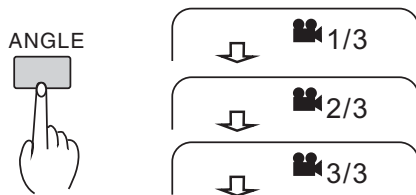
Each time the when press ZOOM, it can be viewed 2X、3X and 4X zoomed pictures. You can move, enjoy the parts of the picture when the picture zoom in.

ANGLE OF CHOICE

Press "ANGLE" then you can enjoy the picture with different angle when you play multi-angle picture. Multi-angle means that take a photo from different scene. as follows:



For example: the DVD discs have three different angles, Press "ANGLE", TV will display as follows:



DVD Setup Menu Interface Function

General Settings page



1. TV Shape: Set the ratio of output to the television signal options are: Normal/ PS, Normal/LB, Wide 16:9, the current default settings is Wide 16:9

Note:

1. Normal/PS

Normal Pan and Scan is used for most normal television broadcasts and it is the default setting. It has an aspect ratio of 4:3. If you select this setting when viewing a DVD the picture will fill the screen, but you will not see the left and right edges of the picture.

2. Normal/LB

Normal Letter Box will show the DVD in its original aspect ratio so depending on the size of your television screen you may see black borders above and below the picture.

3. Wide 16:9

Choose this setting if you have a widescreen television.

4. The DVD must be stopped when setting system.

TV screen Film format	4:3			16:9
	Normal	Full view	Mailbox	Wide screen
4:3				
16:9				

2. OSD Lang : Set the OSD language options.

3. Save the last set to open with the related options are: On/ Off.

If this function is enabled, it allows you to continue the playback of a film (DVD) even after switching off or remove of a disk. The player stores all settings like play position or used language and continues playback with these settings after the disk is reinserted.

This function will be enabled or disabled via the setup-menu of the DVD-player.

Audio Setup Page



STEREO: Select this to set the sound output to Stereo mode.

Preference Setup Pages



1. TV Type: This product supports output of various system, including Multi, NTSC, PAL.

PAL: Choose this settings if your DVD player is connected to a PAL TV. **The default setting is NTSC.** Choose this settings if your DVD player is conn -ected to a NTSC TV.
 Multi: Choose this settings if your DVD player is connected to a multi-system TV.

For more information of output format, refer to the instruction of your DVD player.



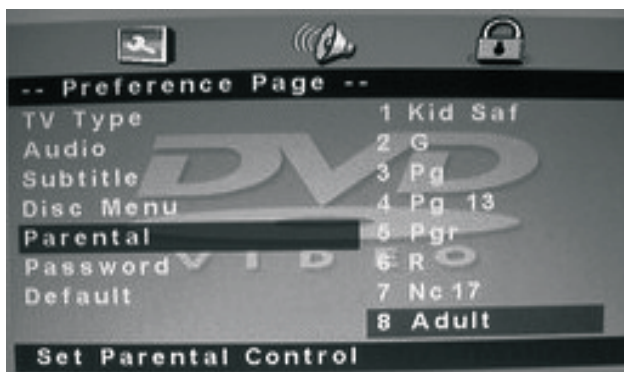
2. Audio: DVD built-in disc dubbing language selection options.



3. Subtitle: This player provides English etc. languages as the built-in subtitle language, when playing DVD, user may hide the subtitle or choose any of them as the present subtitle language.



4. Disc menu: DVD Disc language selection options.



5. Parental: Playback for discs with rating, you can select the rating setting according to your p reference. Rating restriction is divided in eight different categories from KID SAFE to ADULT.

Notes: Only editable when password is unlocked. Can only function when password is locked. It does not, however, reset either the Password or the PARENTAL setting.



6. Password: Default password is 0000, if you forgot the new password , also enter "0000" to unlock it.



7. Default: This option will resume the original settings of this player.

Disc Care

Care of Disc

Video disc contains high-density compressed data that needs proper handling.

1. Hold the disc with fingers by outer edge and/or the center spindle hole. Do not touch the discs surface.
2. Do not bend or press the disc.



3. Do not expose the disc to direct sunlight or heating sources, Store discs in cabinet vertically, and in dry condition.

Prevent exposure to:

Direct sunlight

Heat or exhaust from a heating device

Extreme humidity

Clean the disc surface with a soft, dry cleaning cloth, Wipe the disc surface gently and radially from center toward the outer edge.

Do not apply thinner, alcohol, chemical solvent, or sprays when cleaning. Such cleaning fluids will permanently damage the disc surface.



**WARNING! DO NOT INSERT OR
PLAY 8CM DISC, THEY WILL GET
STUCK.**

Region Code 1

As it is usual for DVD movies to be released at different times in different regions of the world, all players have region codes and discs can have an optional region code. If you load a disc of a different region code into your player you will see the region code notice on the screen. The disc will not playback and should be unloaded.

The region code for this player is 1(refer to the symbols below).



RESOLUTION

VGA

Resolution	800x600	1024x768
Vertical frequency Hz	60	60

HDMI

Resolution	480i	480p	576i	576p	720p	1080i	1080p
Vertical frequency Hz	60	60	50	50	50/60	50/60	50/60

YPBPR

Resolution	480i	480p	576i	576p	720p	1080i	1080p
Vertical frequency Hz	60	60	50	50	50/60	50/60	50/60

HELP

No Power	Check the AC cord of TV is plus in or not. If still no power, please Pull out the plug and replug in after 60 seconds. And open the TV again.
Signal receive not properly	To cause double image or phantom if there has high building or high mountain round -TV. You can adjust image effect by manually operation: consult instruction of vernier regulation or change the direction of external antenna. If you use the indoor antenna . under certain circumstance, receive will be more difficult .So you can change the direction of the antenna to adjust the image effect . If can't change image receiving effect either , you have to use external antenna.
No picture	Check the antenna at the back of TV is connected properly or not. Try to select other channels and check whether the TV problem itself or not.
Video is ok ,but without audio	Increase the volume. Check the TV is in mute mode or not , and please press the mute button to make sound resume.
Audio is ok, but color error or no picture.	Increase contrast and brightness.
snow statics picture and noise	Check the antenna at the back of TV is connected or not .
Level broken line	Maybe has electrical appliance interfere, such as hair drier, vacuum cleaner and so on, please turn off these kinds of electrical appliance.
Dual-Image or "simulacrum" The TV no response with the Remote.	Perhaps the location for the antenna is not good. Use the tall beamed antenna can be improved quality of the display image. Operate the remote direct to the remote sensor on the TV. If still no response for the TV, please check if the plastic bag on the remote take or not. And check if the location for the battery is correct. Change the new battery. The TV will shift to the STAND BY if no response from the remote in the few minutes.
NO Video In. (PC Mode)	Please check if the display cable connect to the VGA correcte . Please check if there has the bend on the display cable.
Vertical twinkling (PC Mode)	Enter the main menu, Use the clock regulator for the Video display noise to eliminate the vertical line.
horizontal ripping (PC Mode)	Adjust the Audio sound horizontal in the main menu to clear the horizontal ripping line.
The screen is too bright or too dark (PC Mode)	Adjust the contrast ratio or brightness in the main menu.
PC Function no response	Check the computer setting in the state of compatible display resolution
Ripping line in RCA connecting	Please use good quality connecting cable.
Problem still exist	Unplug the power cable and wait for 30 seconds, then connect. If there is some problem with our TV, do not repair it by yourself, please contact with the customer service center.

Note: There will be complete picture and the brightness will come down if the TV is in the static picture for too long time, So please do not keep the TV in a state of same Menu or same picture that has much difference in brightness and contrast ratio for too long time.

SPECIFICATIONS

Screen Size	19"		
TV system	NTSC M PAL M/N		
Video system	NTSC/PAL		
Preset Channels	AIR : 2-69 CATV : 1-125		
Input/Output	IN: VGA, A/VX2, S-VIDEO, HDMI, Y PBPR, PC Audio input ANT 75 Ω. OUT: EARPHONE, A/V. Built-in DVD player.		
Audio output power	3Wx2		
Power requirement	DC 12V = 4A		
Max. power consumption	<48W		
Accessories	User's manual AC adaptor	Remote controller 2 x AAA Batteries	Power cord

Supporting DVD Format

This product can play the following DVD formats disc.

Disc Type	Disc Size (Diameter)	Recorded Time	Recorded Content	Remarks
DVD	12cm	Single side:120mins. Approx	DVD format: Compressed digital audio and video	
		Double side:240mins. Approx		
Super VCD	12cm	45mins. Approx	MPEG2 Compressed digital audio and video	Include SVCD
VCD	12cm	74mins. Approx	MPEG1 Compressed digital audio and video	Include: VCD2.0/ VCD1.1 VCD1.0/ DVCD
CD	12cm	74mins. Approx	CD-DA: Digital audio	
HD-CD	12cm	74mins. Approx	HD-DA: Digital audio	
MP3/JPEG	12cm	600mins. Approx	Digital audio	

NOTE: Also supports DVD-R, CD-R, CD-RW playback.

NOTE:

This user manual is for reference only. Specifications are subject to change without notice.

Free Manuals Download Website

<http://myh66.com>

<http://usermanuals.us>

<http://www.somanuals.com>

<http://www.4manuals.cc>

<http://www.manual-lib.com>

<http://www.404manual.com>

<http://www.luxmanual.com>

<http://aubethermostatmanual.com>

Golf course search by state

<http://golfingnear.com>

Email search by domain

<http://emailbydomain.com>

Auto manuals search

<http://auto.somanuals.com>

TV manuals search

<http://tv.somanuals.com>