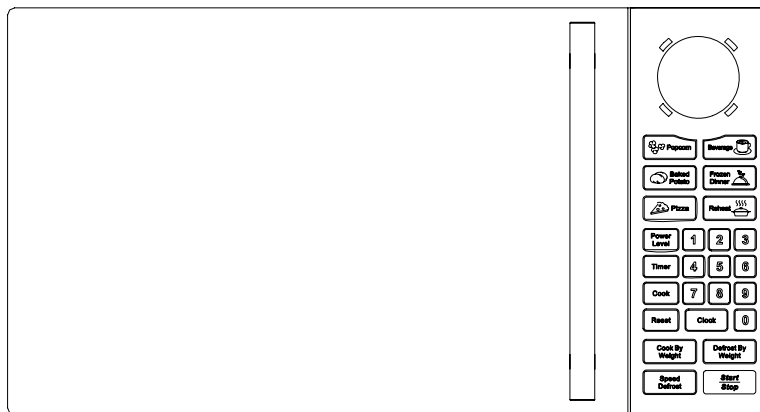


RCA

Microwave Oven

RMW953



1. READ these instructions carefully before installing and operating the oven.

Keep them for further reference.

2. Record in the space below the "SERIAL NO." found on the nameplate on your oven and retain this information for future reference.

SERIAL NO.:

Please save sales receipt for warranty.

PRECAUTIONS TO AVOID POSSIBLE EXPOSURE TO EXCESSIVE MICROWAVE ENERGY

- (a) Do not attempt to operate this oven with the door-open since open-door operation can result in harmful exposure to microwave energy. It is important not to defeat or tamper with the safety interlocks.
- (b) Do not place any object between the oven front face and the door or allow soil or cleaner residue to accumulate on sealing surfaces.
- (c) Do not operate the oven if it is damaged. It is particularly important that the oven door close properly and that there is no damage to the:
 - ① Door (bent),
 - ② Hinges and latches (broken or loosened),
 - ③ Door seals and sealing surfaces.
- (d) The oven should not be adjusted or repaired by anyone except properly qualified service personnel.

CONTENT

PRECAUTIONS TO AVOID POSSIBLE EXPOSURE TO EXCESSIVE MICROWAVE ENERGY	1
IMPORTANT SAFETY INSTRUCTIONS	2
GROUNDING INSTRUCTIONS.....	3
UTENSILS GUIDE	4
COOKING TECHNIQUES.....	6
BEFORE YOU CALL FOR SERVICE	7
SPECIFICATIONS	7
PART NAMES	7
CONTROL PANEL	7
OPERATION INSTRUCTIONS	9
SETTING THE CLOCK	9
SETTING THE OVEN TIMER.....	9
MICROWAVE COOKING.....	9
SETTING "SPEED DEFROST".....	9
SETTING "COOK BY WEIGHT"	9
SETTING "DEFROST BY WEIGHT".....	10
MULTI STAGE COOKING	10
SETTING "SAFETY LOCK"	10
ABOUT "QUICK COOK" SETTINGS	11
"POPCORN"	11
"BAKED POTATO"	11
"PIZZA"	11
"BEVERAGE"	11
"FROZEN DINNER"	11
"REHEAT"	11
CLEANING AND CARE	13

IMPORTANT SAFETY INSTRUCTIONS

When using electrical appliances, basic safety precautions should be followed, including the following:

WARNING - To reduce the risk of burns, electric shock, fire, and injury to persons or exposure to excessive microwave energy:

1. Read all instructions before using the appliance.
2. Read and follow the specific "PRECAUTIONS TO AVOID POSSIBLE EXPOSURE TO EXCESSIVE MICROWAVE ENERGY" on page 1.
3. This appliance must be grounded. Connect only to properly grounded outlet. See "GROUNDING INSTRUCTIONS" on page 3.
4. Install or locate this appliance only in accordance with the provided installation instructions.
5. Some products such as whole eggs and sealed containers -for example, closed glass jars- are able to explode and should not be heated in this oven.
6. Use this appliance only for its intended use as described in this manual. Do not use corrosive chemicals or vapors in this appliance. This type of oven is specifically designed to heat, cook, or dry food. It is not designed for industrial or laboratory use.
7. As with any appliance, close supervision is necessary when used by children.
8. To reduce the risk of fire in the oven

cavity:

- ✧ Do not overcook food. Carefully attend appliance when paper, plastic, or other combustible materials are placed inside the oven to facilitate cooking.
 - ✧ Remove wire twist-ties from paper or plastic bags before placing bag in oven.
 - ✧ If materials inside the oven should ignite, keep oven door closed, turn oven off, and disconnect the power cord or shut off power at the fuse or circuit breaker panel.
 - ✧ Do not use the cavity for storage purposes. Do not leave paper products, cooking utensils or food in the cavity when not in use.
9. Liquids, such as water, coffee, or tea can be overheated beyond the boiling point without appearing to be boiling due to surface tension of the liquid. Visible bubbling or boiling when the container is removed from the microwave oven is not always present. **THIS COULD RESULT IN VERY HOT LIQUIDS SUDDENLY BOILING OVER WHEN A SPOON OR OTHER UTENSIL IS INSERTED INTO THE LIQUID.** To reduce the risk of injury to person:
 - ✧ Do not overheat the liquid.
 - ✧ Stir the liquid both before and halfway through heating it.
 - ✧ Do not use straight-sided containers with narrow necks.

- ✧ After heating, allow the container to stand in the microwave oven for a short time before removing the container.
 - ✧ Use extreme care when inserting a spoon or other utensil into the container.
10. Do not heat oil or fat for deep-frying. It is difficult to control the temperature of oil in microwave oven.
 11. Pierce foods with heavy skins such as potatoes, whole squash, apples and chestnuts before cooking.
 12. The contents of feeding bottles and baby jars should be stirred or shaken and the temperature should be checked before serving in order to avoid burns.
 13. Cooking utensils may become hot because of heat transferred from the heated food. Potholders may be needed to handle the utensil.
 14. Do not cover or block any openings on the appliance.
 15. Do not store or use this appliance outdoors. Do not use this product near water, for example, near a kitchen sink, in a wet basement, near a swimming pool, or similar locations.
 16. Do not operate this appliance if it has a damaged cord or a plug, if it is not working properly or if it has been damaged or dropped.
 17. Do not immerse cord or plug in water. Keep cord away from heated surface. Do not let cord hang over edge of table or counter.
 18. Use only thermometers, which are specifically designed for use in microwave ovens.
 19. Do not operate any heating or cooking appliance beneath this appliance.
 20. Be certain the glass tray and roller rings are in place when you operate the oven
 21. This appliance should be serviced only by qualified service personnel contact nearest authorized service facility for examination, repair, or adjustment.

GROUNDING INSTRUCTIONS

This appliance must be grounded. In the event of an electrical short circuit, grounding reduces risk of electric shock by providing an escape wire for the electric current. The appliance is equipped with a cord having a grounding wire with a grounding plug. The plug must be plugged into an outlet that is properly installed and grounded.

WARNING: Improper use of the grounding plug can result in a risk of electric shock.

Electrical Requirements

The electrical requirements are a 120 volt 60 Hz, AC only, 20 amp. It is recommended that a separate circuit serving only the oven be provided. The oven is equipped with a 3-prong grounding plug. It must be plugged into a wall receptacle that is properly installed and

grounded.

Power Supply Cord

1. A short power supply cord is provided to reduce the risks resulting from becoming entangled in or tripping over a longer cord.
2. Longer cord sets or extension cords are available and may be used if care is exercised in their use.
3. If long cord or extension cord is used:
 - a) The marked electrical rating of the cord set or extension cord should be at least as great as the electrical rating of the appliance.
 - b) The extension cord must be a grounding-type 3-wire cord, and The longer cord should be arranged so that it will not drape over the counter top or table top where it can be pulled on by children or tripped over unintentionally.

Notes:

1. If you have any questions about the grounding or electrical instructions, consult a qualified electrician or service person.
2. Neither Galanz nor the dealer can accept any liability for damage to the oven or personal injury resulting from failure to observe the electrical connection procedures.

Radio or TV Interference

Should there be any interference caused by the microwave oven to your radio or TV, check that the microwave oven is on a different circuit, relocated the radio or TV as far away from the oven as feasible or check position and signal of receiving antenna.

UTENSILS GUIDE

This section lists which utensils can be used in the microwave, which ones have limited use for short periods, and which ones should not be used in the microwave.

Recommended

- Microwave browning dish — Use to brown the exterior of small items such as steaks, chops, or pancakes. Follow the directions provided with your browning dish.
- Microwaveable plastic wrap — Use to retain steam. Leave a small opening for some steam to escape and avoid placing it directly on the food.
- Paper towels and napkins — Use for short-term heating and covering; These absorb excess moisture and prevent spattering. Do not use recycled paper towels, which may contain metal and could ignite.
- Glass and glass-ceramic bowls and dishes — Use for heating or cooking.
- Paper plates and cups — Use for short-term heating at low temperatures. Do not use recycled paper, which may contain metal and could ignite.
- Wax paper — Use as a cover to prevent spattering.

- Thermometers — Use only those labeled “Microwave Safe” and follow all directions. Check the food in several places. Conventional thermometers may be used on microwave food once the food has been removed from the oven.

Limited Use

- Aluminum foil — Use narrow strips of foil to prevent overcooking of exposed areas. Using too much foil can damage your oven, so be careful.
- Ceramic, porcelain, and stoneware — Use these if they are labeled “Microwave Safe”. If they are not labeled, test them to make sure they can be used safely.
- Plastic — Use only if labeled “Microwave Safe”. Other plastics can melt.
- Straw, wicker, and wood — Use only for short-term heating, such as warming dinner rolls for a few seconds. Baskets and bowls may be flammable.

Not Recommended

- Glass jars and bottles — Regular glass is too thin to be used in a microwave. It can shatter and cause damage and injury.
- Paper bags — These are a fire hazard, except for popcorn bags that are designed for microwave use.
- Styrofoam plates and cups — These can melt and leave an unhealthy residue on food.
- Plastic storage and food containers — Containers such as margarine tubs can melt in the microwave.
- Metal utensils — These can damage your oven. Remove all metal before cooking.

Note: Should you wish to check if a dish is safe for microwaving, place the empty dish in the oven and microwave on HIGH for 30 seconds. A dish which becomes very hot should not be used.

SAVE THESE INSTRUCTIONS

COOKING TECHNIQUES

Your microwave makes cooking easier than conventional cooking, provided you keep these considerations in mind:

Stirring

Stir foods such as casseroles and vegetables while cooking to distribute heat evenly. Food at the outside of the dish absorbs more energy and heats more quickly, so stir from the outside to the center. The oven will turn off when you open the door to stir your food.

Arrangement

Arrange unevenly shaped foods, such as chicken pieces or chops, with the thicker, meatier parts toward the outside of the turntable where they receive more microwave energy. To prevent overcooking, place delicate areas, such as asparagus tips, toward the center of the turntable.

Shielding

Shield food with narrow strips of aluminum foil to prevent overcooking. Areas that need shielding include poultry wing-tips, the ends of poultry legs, and corners of square baking dishes. Use only small amounts of aluminum foil. Larger amounts can damage your oven.

Turning

Turn foods over midway through cooking to expose all parts to microwave energy. This is

especially important with large foods such as roasts.

Standing

Foods cooked in the microwave build up internal heat and continue to cook for a few minutes after heating stops. Let foods stand to complete cooking, especially foods such as cakes and whole vegetables. Roasts need this time to complete cooking in the center without overcooking the outer areas. All liquids, such as soup or hot chocolate, should be shaken or stirred when cooking is complete. Let liquids stand a moment before serving. When heating baby food, stir well at removal and test the temperature before serving.

Adding moisture

Microwave energy is attracted to water molecules. Food that is uneven in moisture content should be covered or allowed to stand so that the heat disperses evenly. Add a small amount of water to dry food to help it cook.

SAVE THESE INSTRUCTIONS

BEFORE YOU CALL FOR SERVICE

If the oven fails to operate:

1. Check to ensure that the oven is plugged in securely. If it is not, remove the plug from the outlet, wait 10 seconds and plug it in again securely.
2. Check for a blown circuit fuse or a tripped main circuit breaker. If these seem to be operating properly, test the outlet with another appliance.
3. Check to ensure that the control panel is programmed correctly and the timer is set.
4. Check to ensure that the door is securely closed engaging the door safety lock system. Otherwise, the microwave energy will not flow into the oven.

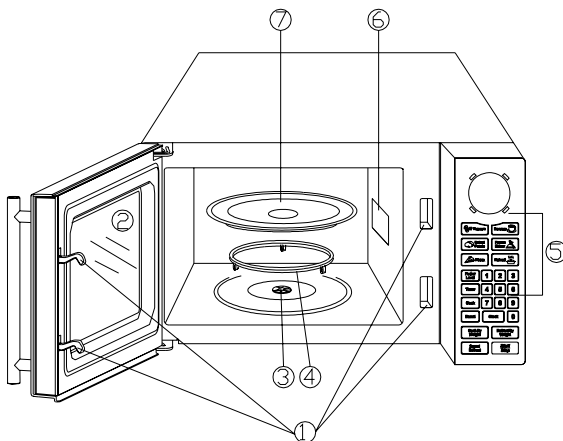
IF NONE OF THE ABOVE RECTIFIES THE SITUATION, THEN CONTACT A QUALIFIED TECHNICIAN. DO NOT TRY TO ADJUST OR REPAIR THE OVEN YOURSELF.

SPECIFICATIONS

Power Consumption:	120V~60Hz, 1350W
Output	900W
Operation Frequency	2450MHz
Outside Dimensions (HxWxD)	11 ¹ / ₁₆ ×19 ×15 ¹ / ₂ inches.
Inside Dimensions (HxWxD):	8 ¹¹ / ₁₆ ×13 ³ / ₈ ×12 ⁵ / ₈ inches.
Oven Capacity	0.8cu.ft.
Net Weight	Approx. 30lbs.

Note: the data quoted above may be further confirmed or updated.

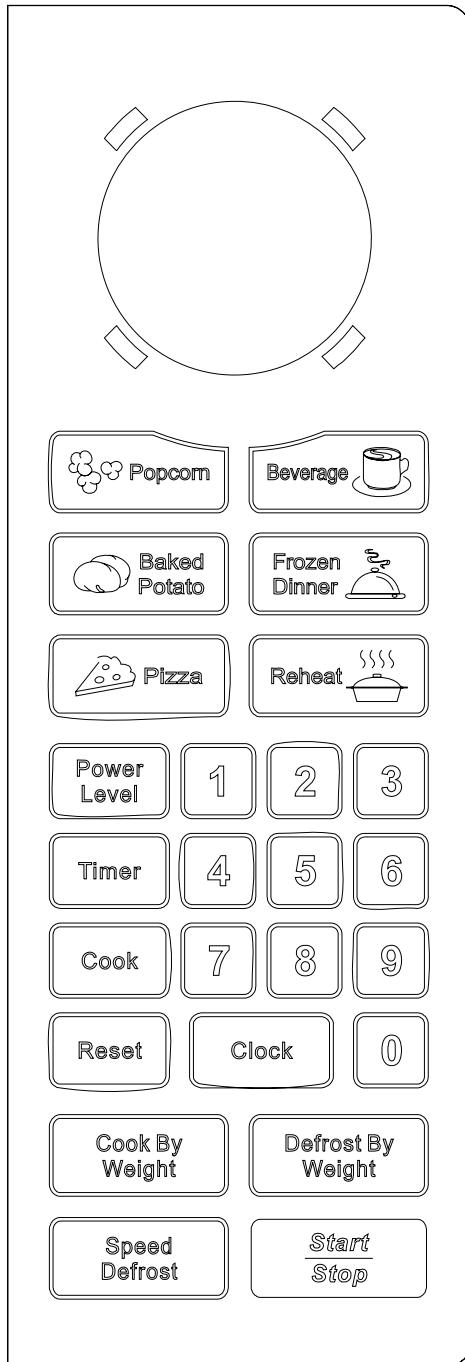
PART NAMES



1. Door Safety Lock System
2. Oven Window
3. Turntable Roller
4. Shaft
5. Control Panel
6. Wave Guide
7. Glass Tray

DO NOT REMOVE THE CARDBOARD OVEN AIR VENT COVER THAT IS INSIDE THE MICROWAVE!

CONTROL PANEL



(Also see following pages for more detail.)

DISPLAY

Cooking time, power, indicators and present time are displayed.

BAKED POTATO POPCORN

PIZZA BEVERAGE

FROZEN DINNER REHEAT

Allow you to reheat or cook food automatically without entering power level or time.

NUMBER PADS (0-9)

Touch to set time or amounts.

POWER LEVEL

Use to set power level.

TIMER

You can use the TIMER function independently, even while a cooking program is going on in the oven.

COOK

Use for multi-stage cooking. Enables cooking at multiple power and time settings automatically.

RESET

Clears all previous settings if touched before cooking starts.

CLOCK

Touch to set the clock.

COOK BY WEIGHT

Programmed cooking based on weight of food.

DEFROST BY WEIGHT

Programmed defrosting based on the weight of the food to be defrosted.

SPEED DEFROST

Quick defrost function that alternates defrost and stand times to quickly and effectively defrost food.

START/STOP

Touch to start or stop cooking.

OPERATION INSTRUCTIONS

SETTING THE CLOCK

1. In waiting mode, press CLOCK once, "Hr:12" is displayed; press the button again, "Hr:24" is displayed; the clock is in 24 hour circle.
2. Use the number pads to enter the correct time.
3. Touch CLOCK pad again.

NOTE:

This is a 12 or 24-hour clock. You can check clock time during cooking by pressing CLOCK once.

SETTING THE OVEN TIMER

1. Touch TIMER pad.
2. Enter the amount of time you want to count down by touching the number pads. The maximum time can be entered is 99 min. and 99sec.
3. Touch START/STOP pad.

NOTE:

- Time countdown can be seen by touching TIMER in timing process.
- Touch TIMER and then touch RESET to cancel TIMER during timing process.

MICROWAVE COOKING

The longest cooking time is 99 minutes and 99 seconds. You can select power level by pressing POWER LEVEL:

Press The Button	Cooking Power
once	100%
twice	80%
3 times	60%
4 times	40%
5 times	20%
6 times	0

For example, suppose you want to cook for 1 minute at 60% of microwave power.

1. Press POWER LEVEL several times to select microwave power.
2. Use number pads to enter cooking time.
3. Press START/STOP to confirm.

Note: You can check the power level during cooking by pressing POWER LEVEL. After total time has elapsed, signals will sound and "End" will be displayed.

SETTING "SPEED DEFROST"

The longest defrosting time is 99 minutes and 99 seconds.

1. Touch SPEED DEFROST pad.
2. Enter desired defrosting time by touching correct number pads.
3. Touch START/STOP pad.

NOTE:

- After total time elapsed, the system will sound beeps with END in display. And the beeps will continue to sound every two minutes automatically until the door is opened or RESET pad is touched.
- During defrosting program, the system will pause and sound beeps to remind user to turn food over, and then press START/STOP to resume the defrosting.

SETTING "COOK BY WEIGHT"

Suppose you want to cook 2 LB.1 OZ of PORK.

1. Touch COOK BY WEIGHT pad repeatedly to select food code (d3).
2. Use number pads to enter food weight "2"LB
3. Touch COOK BY WEIGHT pad.
4. Use number pads to enter food weight "1"OZ
5. Touch START/STOP pad.

NOTE:

- Your microwave oven makes cooking easy. You set the type and weight of

food, and the oven automatically sets the cooking time and power level.

"COOK BY WEIGHT" CODE DESCRIPTIONS		
CODE	TYPE	MAX WEIGHT
d1	Beef	5 lb. 04oz
d2	Mutton	5 lb. 04oz
d3	Pork	5 lb. 04oz

- Meat must be defrosted and at refrigerated temperature.
- During cooking process, the oven will pause automatically and sound beeps to remind user to turn food over, then touch START/STOP to resume cooking.
- After total time elapsed, the system will sound beeps with END in display. And the beeps will continue to sound every two minutes automatically until the door is opened or RESET pad is touched.

SETTING "DEFROST BY WEIGHT"

Automatically sets proper defrosting cycle once you have entered the weight of the food to be thawed.

Suppose you want to defrost 3 LB.1 OZ of shrimp.

1. Touch DEFROST BY WEIGHT pad.
2. Use number pads to enter food weight "3"LB
3. Touch DEFROST BY WEIGHT pad.
4. Use number pads to enter food weight "1"OZ
5. Touch START/STOP pad.

NOTE:

- Weight must be in pounds and ounces. The maximum weight you can enter is 5 lb. 04oz.
- During defrosting program, the system will pause and sound beeps to remind user to turn food over, and then press

START/STOP to resume the defrosting.

- After total time elapsed, the system will sound beeps with END in display. And the beeps will continue to sound every two minutes automatically until the door is opened or RESET pad is touched.

MULTI STAGE COOKING

Your oven can be programmed for up to 3 automatic cooking sequences.

Suppose you want to set the following cooking program.

SPEED Defrost



Microwave-Cooking



Microwave-Cooking (with lower power level)

1. Input SPEED DEFROST program.
2. Touch COOK pad.
3. Input Microwave-Cooking program.
4. Touch COOK pad.
5. Input Microwave-Cooking program with lower power level.
6. Touch START/STOP pad.

Note:

Speed Defrost and Weight Defrost can be only set in the first stage.

After total time has elapsed, signals will sound and "End" will be displayed.

SETTING "SAFETY LOCK"

The safety lock prevents unsupervised operation by little children.

To set: press and hold RESET pad for 3 seconds, lock indicator lights.

To cancel: press and hold RESET pad for 3 seconds, lock indicator goes off.

ABOUT "QUICK COOK" SETTINGS

"QUICK COOK" allows you to cook or reheat food automatically without entering power level or time. When setting "quick cook", check visual guide on pad for correct setting. Three "quick cook" settings allow you to cook several amounts of the same food. These include the "FROZEN DINNER", "BAKED POTATO" and "BEVERAGE". In each "quick cook" category, smaller size food is set by touching pad once. The larger size can be set by touching the picture pad twice.

"POPCORN"

1. Touch POPCORN pad. POPCORN automatically sets the cooking time for a 3.5 oz. bag of microwave popcorn.
2. Touch START/STOP pad.

NOTE:

- To reset POPCORN time:
Touch POPCORN pad twice. Touch number pads to enter minutes and seconds. Touch START/STOP pad. This new cooking time will remain whenever you touch the POPCORN pad until you reset it.

"BAKED POTATO"

For potatoes (3.5 to 5 oz. per entries):

1. Touch BAKED POTATO pad once.
2. Enter number of potatoes by touching number pads from 1 to 4.
3. Touch START/STOP pad.

For the large potatoes (6 to 8 oz. per entries):

1. Touch BAKED POTATO pad twice.
2. Enter number of potatoes by touching number pads from 1 to 4.
3. Touch START/STOP pad.

"PIZZA"

Reheating a slice of leftover pizza:

1. Touch PIZZA pad once.
2. Touch START/STOP pad.

Heating a whole frozen pizza:

1. Tap PIZZA pad twice.
2. Touch START/STOP pad.

"BEVERAGE"

For coffee cups (5 to 7 oz. per share):

1. Touch BEVERAGE pad once.
2. Enter number of cups by touching number pads from 1 to 4.
3. Touch START/STOP pad.

For the larger coffee mugs (9 to 11 oz. per share):

1. Tap BEVERAGE pad twice.
2. Enter number of mugs by touching number pads from 1 to 4.
3. Touch START/STOP pad.

"FROZEN DINNER"

Microwaving one or two small (7-9 oz. per share) frozen dinner:

1. Touch FROZEN DINNER pad once.
2. Touch "1" or "2" to select 1 entree or 2 entrees.
3. Touch START/STOP pad.

Microwaving one or two larger (10-12 oz. per share) frozen dinner:

1. Tap FROZEN DINNER pad twice.
2. Touch "1" or "2" to select 1 entree or 2 entrees.
3. Touch START/STOP pad.

"REHEAT"

1. Touch REHEAT pad.
2. Touch START/STOP pad.

NOTE:

This setting lets you reheat a dinner plate of chilled leftovers with good results.

CLEANING AND CARE

1. Turn off the oven and remove the power plug from the wall socket before cleaning.
2. Keep the inside of the oven clean. When food splatters or spilled liquids adhere to oven walls, wipe with a damp cloth. Mild detergent may be used if the oven gets very dirty. Avoid the use of spray and other harsh cleaners as they may stain, streak or dull the door surface.
3. The outside surfaces should be cleaned with a damp cloth. To prevent damage to the operating parts inside the oven, water should not be allowed to seep into the ventilation openings.
4. Wipe the window on both sides with a damp cloth to remove any spills or splatters.
5. Do not allow the control panel to become wet. Clean with a soft, damp cloth. When cleaning the control panel, leave oven door open to prevent oven from accidentally turning on.
6. If steam accumulates inside or around the outside of the oven door, wipe with a soft cloth. This may occur when the microwave oven is operated under high humidity conditions. In such case, it is normal.
7. It is occasionally necessary to remove the glass tray for cleaning. Wash the tray in warm sudsy water or in a dishwasher.
8. The roller ring and oven floor should be cleaned regularly to avoid excessive noise. Simply wipe the bottom surface of the oven with mild detergent. The roller ring may be washed in mild sudsy water or dishwasher. When removing the roller ring from cavity floor for cleaning, be sure to replace in the proper position.
9. Remove odors from your oven by combining a cup of water with the juice and skin of one lemon in a deep microwaveable bowl, microwave for 5 minutes. Wipe thoroughly and dry with a soft cloth.
10. When it becomes necessary to replace the oven light, please consult a dealer to have it replaced.
11. The oven should be cleaned regularly and any food deposits removed. Failure to maintain the oven in a clean condition could lead to deterioration of the surface that could adversely affect the life of the appliance and possibly result in a hazardous situation.
12. Please do not dispose this appliance into the domestic rubbish bin, it should be disposed to the particular disposal center provided by the municipalities.

SAVE THESE INSTRUCTIONS

Free Manuals Download Website

<http://myh66.com>

<http://usermanuals.us>

<http://www.somanuals.com>

<http://www.4manuals.cc>

<http://www.manual-lib.com>

<http://www.404manual.com>

<http://www.luxmanual.com>

<http://aubethermostatmanual.com>

Golf course search by state

<http://golfingnear.com>

Email search by domain

<http://emailbydomain.com>

Auto manuals search

<http://auto.somanuals.com>

TV manuals search

<http://tv.somanuals.com>