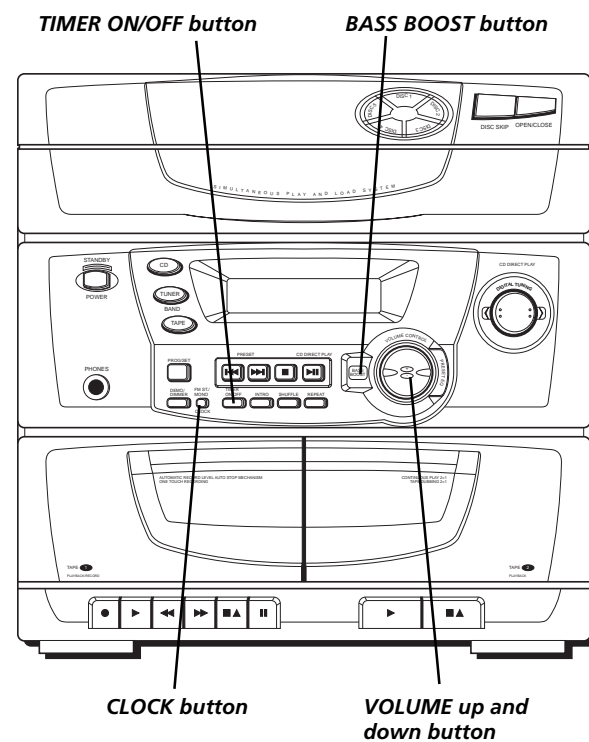
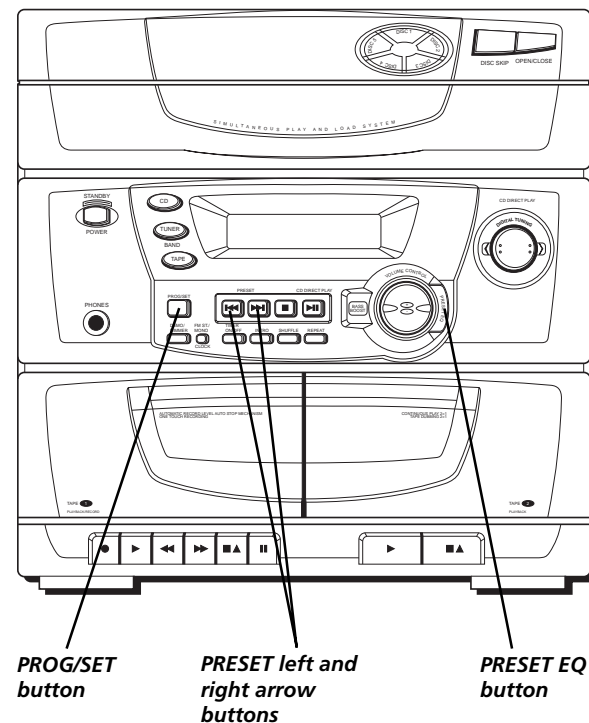


Helpful Tips to Get You Started

Use the following information to replace the instructions in your User's Guide.



Connecting the Speakers

When connecting the speakers, match the red wires to the red jacks and the black wires to the black jacks. Each speaker has a black and a red jack, one for positive and one for negative. The top two jacks are for the right speaker, while the bottom two jacks are for the left speaker.

Using the FM and AM Antennas

Before you use your audio system, you'll want to make sure both the FM and AM antennas are positioned properly. The FM antenna is the coiled wire connected to the back of the unit. Uncoil it, making sure it is fully extended (you may even want to tape it to the wall behind the unit, if possible. The higher, the better.) You'll also need to connect the AM antenna loop to the back of the unit if you listen to AM stations.

Setting the Time

1. Press and hold the CLOCK button until the hour flashes.
2. Press the PRESET left or right arrow button to set the hour.
3. To change to the minutes, press CLOCK.
4. To set the minutes, press the PRESET left or right arrow button.
5. When finished, press the PROG/SET button to set the time.

Using the Equalizer

To get the best sound quality from your audio system, you'll want to use the equalizer, or EQ. You can either use the preset EQ settings (Flat, Rock, Pop, and Jazz), or customize the mid-range, bass, and treble settings for your personal preference.

EQ Presets

Press the PRESET EQ button to cycle through the Flat, Rock, Pop, and Jazz presets. As you cycle through the presets, listen carefully to how the sound changes.

Customizing the EQ Settings

You may find that customizing your EQ settings may work best for you. This feature allows you to adjust the bass frequency for a fuller, deeper sound from bass-producing instruments, such as drums; the mid-range for more defined vocals; and the treble for higher frequencies, such as cymbals. You can set the levels from -10 to +10 for each EQ setting (bas, mid, tre).

1. Press and release the PRESET EQ button until *CUSTOM* is displayed.
2. Press the PRESET left or right button to cycle through the EQ settings.
3. While the desired setting is displayed, press the VOLUME up or down button to set the level (-10 to +10).
4. Repeat steps 2-3 for any other settings you want to adjust.

Bass Boost

For even more bass, press the BASS BOOST button.

Setting the Timer

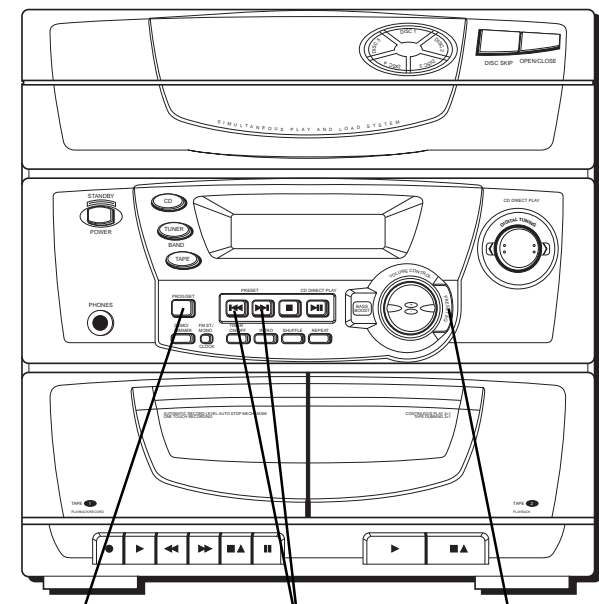
1. Press and hold the TIMER ON/OFF button until the hour flashes.
2. To set the hour you want the timer to come on, press the PRESET left or right arrow button.
3. To change to the minutes, press TIMER ON/OFF.
4. To set the minutes, press the PRESET left or right arrow button.
5. To change to the volume setting, press TIMER ON/OFF.
6. To set the volume, press the VOLUME up or down button.
7. To change to the time you want the timer to go off, press TIMER ON/OFF.
8. To set the timer off time, repeat steps 2-3.
9. Press PROG/SET to set the timer.

Using the Remote for Tape Player Functions

Keep in mind the tape player functions of the unit are mechanical and can't be operated by the remote.

Conseils pratiques pour démarrer du bon pied

Utilisez les informations qui suivent, car elles remplacent celles de votre guide de l'utilisateur.



Bouton de programmation PROG/SET
Flèches vers la gauche ou vers la droite des boutons de préréglage PRESET
Bouton des préréglages de l'égalisateur PRESET EQ

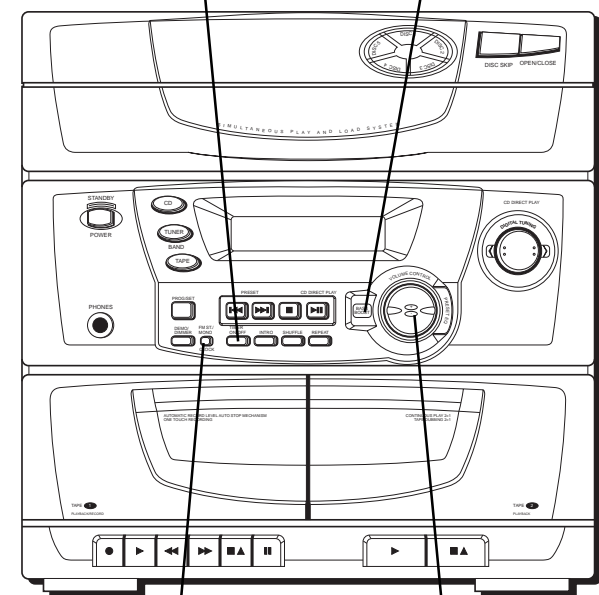
Connexion des haut-parleurs

Lorsque vous connectez les haut-parleurs, faites correspondre les fils rouges avec les prises rouges et les fils noirs avec les prises noires. Chaque haut-parleur comporte une prise noire et une prise rouge en plus d'une pour le négatif. Les deux prises supérieures vont vers le haut-parleur droit, tandis que les deux prises inférieures vont vers le haut-parleur gauche.

Utilisation des antennes AM et FM

Avant d'utiliser votre système audio, assurez-vous que les antennes FM et AM sont placées correctement. L'antenne FM est la bobine de fil connectée à l'arrière de l'appareil. Assurez-vous de dérouler cette bobine pour l'étaler complètement (Vous voudrez peut-être même la coller sur le mur à l'arrière de l'appareil si cela est possible. Le plus haut sera le mieux.) Vous devrez également connecter la boucle de l'antenne AM à l'arrière de l'appareil si vous voulez écouter des stations AM.

Bouton d'activation/désactivation du minuteur TIMER ON/OFF
Bouton d'amplification des basses BASS BOOST



Bouton d'horloge CLOCK
Bouton vers le haut ou vers le bas du VOLUME

Réglage de l'horloge

1. Maintenez appuyé le bouton CLOCK jusqu'à ce que l'heure clignote.
2. Appuyez sur la flèche vers la gauche ou vers la droite du bouton PRESET pour régler l'heure.
3. Pour changer les minutes, appuyez sur CLOCK.
4. Pour régler les minutes, appuyez sur la flèche vers la gauche ou vers la droite du bouton PRESET.
5. Lorsque vous avez terminé, appuyez sur le bouton PROG/SET pour régler l'heure.

Utilisation de l'égalisateur

Pour obtenir la meilleure qualité de son de votre système audio, il vous faudra utiliser l'égalisateur, ou EQ. Vous pouvez choisir entre les réglages déjà programmés (Flat, Rock, Pop et Jazz), ou programmer vous-même le milieu de gamme, les basses et les aigus selon votre goût personnel.

Préréglages EQ

Appuyez dur le bouton PRESET EQ pour revenir par cycle aux préréglages Flat, Rock, Pop et Jazz. À mesure que vous faites défiler les préréglages, écoutez attentivement les modifications de la sonorité.

Personnalisation des réglages EQ

Vous préférerez peut-être programmer vos propres réglages. Cette fonction vous permet de régler les fréquences des basses à un niveau plus plein et plus bas – pour mieux faire ressortir les instruments comme les batterie ou les tambours, de régler la gamme moyenne pour une meilleure définition des voix ou encore d'accentuer sons les aigus d'instruments comme les cymbales. Vous pouvez régler les niveaux de -10 à +10 pour chaque réglage EQ (bas, mid, tre).

1. Appuyez et relâchez le bouton PRESET EQ jusqu'à ce que *CUSTOM* apparaisse.
2. Appuyez sur la flèche vers la gauche ou vers la droite du bouton PRESET pour parcourir les réglages EQ.
3. Lorsque le réglage voulu apparaît, appuyez sur bouton de VOLUME vers le haut ou vers le bas pour régler le niveau (-10 à +10).
4. Répétez les étapes 2 et 3 pour chaque autre réglage que vous voulez modifier.

Amplification des basses

Pour amplifier encore plus les basses appuyez sur le bouton BASS BOOST.

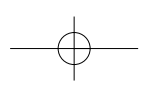
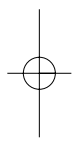
Réglage de la minuterie

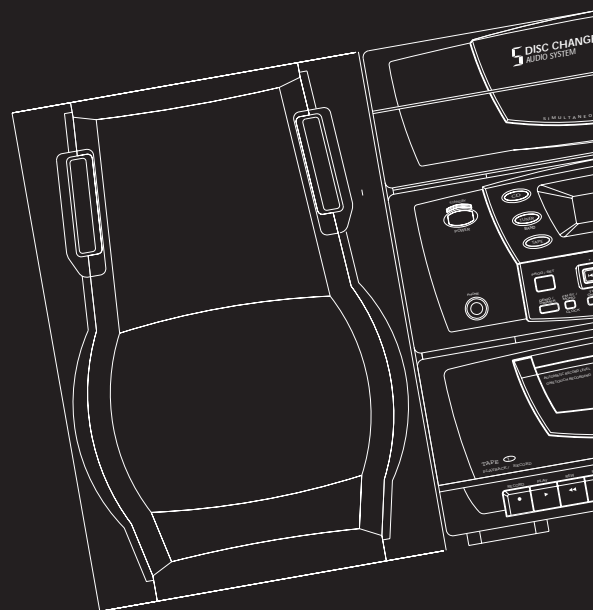
1. Maintenez appuyé le bouton d'activation/désactivation de minuterie TIMER ON/OFF jusqu'à ce que l'heure clignote.
2. Pour régler l'heure d'activation du minuteur, appuyez sur la flèche vers la gauche ou vers la droite du bouton PRESET.
3. Pour changer les minutes, appuyez sur TIMER ON/OFF.
4. Pour régler les minutes, appuyez sur la flèche vers la gauche ou vers la droite du bouton PRESET.
5. Pour passer au réglage du volume, appuyez sur TIMER ON/OFF.
6. Pour régler le volume, appuyez sur le bouton de VOLUME vers le haut ou vers le bas.
7. Pour passer à l'heure où vous voulez désactiver le minuteur, appuyez sur TIMER ON/OFF.
8. Pour régler l'heure de désactivation du minuteur, répétez les étapes 2 à 3.
9. Appuyez sur PROG/SET pour régler le minuteur.

Utilisation de la télécommande pour les fonctions du lecteur d'audiocassettes

Gardez à l'esprit que les fonctions du lecteur d'audiocassettes pour cet appareil sont mécaniques et ne peuvent donc pas être commandées par la télécommande.

do not output the film on this page
please turn next page





IMPORTADOR
COMERCIALIZADORA THOMSON DE MEXICO S.A.
DE C.V
SIERRA CANDELA NO. 111, PISO 11
COL. LOMAS DE CHAPULTEPEC
DEL. MIGUEL HIDALGO
MEXICO D.F. C.P. 11000
R.F.C. CTM-980723 KS5

Thomson multimedia Inc.
10330 N. Meridian St. Indianapolis, IN46290

© 2001 Thomson multimedia Inc.

Trademark(s) ® Registered

Marca(s) Registrada(s)

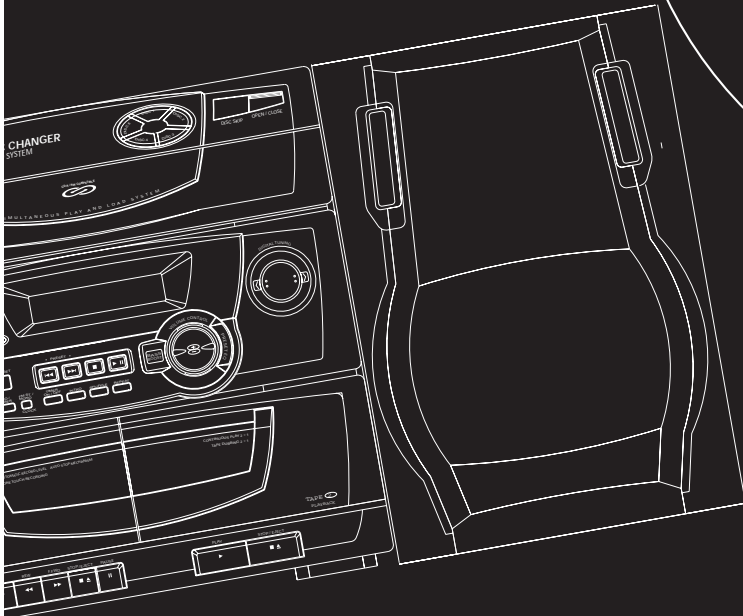
® Marque(s) Déposée(s)

55156610 (EN/F/E)

www.rca.com

RCA

U
S
E
R
M
A
N
U
A
L



RS1286B

FCC Information

FCC Information

This device complies with Part 15 of the FCC Rules. Operation is subject to the following two conditions: (1) This device may not cause harmful interference, and (2) this device must accept any interference received, including interference that may cause undesired operation.

In accordance with FCC requirements, changes or modifications not expressly approved by Thomson multimedia Inc. could void the user's authority to operate this product.

This device generates and uses radio frequency (RF) energy, and if not installed and used properly, this equipment may cause interference to radio and television reception.

If this equipment does cause interference to radio or television reception (which you can determine by unplugging the unit), try to correct the interference by one or more of the following measures:

- Re-orient the receiving antenna (that is, the antenna for the radio or television that is "receiving" the interference).
- Move the unit away from the equipment that is receiving interference.
- Plug the unit into a different wall outlet so that the unit and the equipment receiving interference are on different branch circuits.

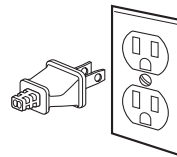
If these measures do not eliminate the interference, please consult your dealer or an experienced radio/television technician for additional suggestions. Also, the Federal Communications Commission has prepared a helpful booklet, "How To Identify and Resolve Radio TV Interference Problems." This booklet is available from the U.S. Government Printing Office, Washington, DC 20402. Please specify stock number 004-000-00345-4 when ordering copies.

This product complies with DHHS Rules 21 CFR Subchapter J. Applicable at the date of manufacture.

WARNING: TO PREVENT FIRE OR ELECTRICAL SHOCK HAZARD, DO NOT EXPOSE THIS PRODUCT TO RAIN OR MOISTURE.

For Your Safety

The AC power plug is polarized (one blade is wider than the other) and only fits into AC power outlets one way. If the plug won't go into the outlet completely, turn the plug over and try to insert it the other way. If it still won't fit, contact a qualified electrician to change the outlet, or use a different one. Do not attempt to bypass this safety feature.



CAUTION: TO PREVENT ELECTRIC SHOCK, MATCH WIDE BLADE OF PLUG TO WIDE SLOT, FULLY INSERT.

For Your Records

In the event that service should be required, you may need both the model number and the serial number. In the space below, record the date and place of purchase, and the serial number:



Model No.
Remote Control No.
Date of Purchase
Place of Purchase
Serial No.

Service Information

This product should be serviced only by those specially trained in appropriate servicing techniques. For instructions on how to obtain service, refer to the warranty included in this Guide.

Have a Blast- Just Not in Your Eardrums
Make sure you turn down the volume on the unit before you put on headphones. Increase the volume to the desired level only after headphone are in place.



 THE LIGHTNING FLASH AND ARROW-HEAD WITHIN THE TRIANGLE IS A WARNING SIGN ALERTING YOU OF "DANGEROUS VOLTAGE" INSIDE THE PRODUCT.	 CAUTION RISK OF ELECTRIC SHOCK DO NOT OPEN CAUTION: TO REDUCE THE RISK OF ELECTRIC SHOCK, DO NOT REMOVE COVER (OR BACK). NO USER-SERVICEABLE PARTS INSIDE. REFER SERVICING TO QUALIFIED SERVICE PERSONNEL.	THE EXCLAMATION POINT WITHIN THE TRIANGLE IS A WARNING SIGN ALERTING YOU OF IMPORTANT INSTRUCTIONS ACCOMPANYING THE PRODUCT.
SEE MARKING ON BOTTOM / BACK OF PRODUCT		

CONTENTS

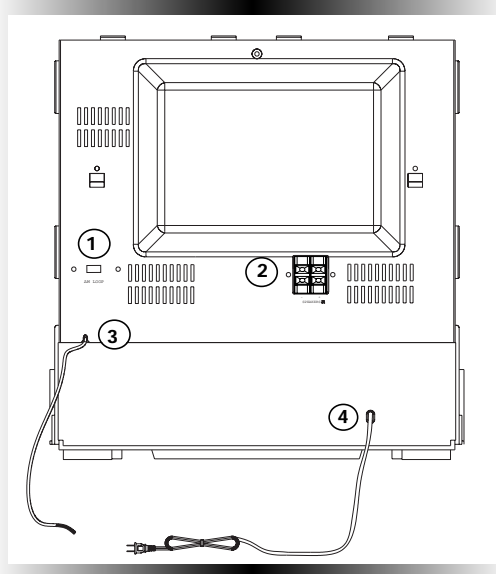
EN

FCC/ Safety Information	
Installation	2
Controls & Indicators	3
CD Player	3
Tuner	3
Tape Player	3
Remote Control	4
Display	5
Showing the Demonstration	5
Display Clock/Timer	5
Setting the Time	5
Setting the Timer	5
Activating the Timer	5
Adjusting the Display Brightness	5
Sleep mode	5
Sound Features	6
Using Preset Equalizer Curves	6
Creating a Custom Curve	6
Boosting the Bass	6
Muting Audio	6
CD Player	6
Loading Discs	6
Playing Discs	6
Shuffling the Play Order	7
Sampling Tracks	7
Repeating the Play Order	7
Setting Up a CD program	7
Playing a Program List	7
Displaying the Program list	7
Deleting Program List	7
Skipping a Disk	7
Searching through a CD	7
Tuner	8
Tuning to a Station	8
Using Presets	8
Setting Presets	8
Suppressing Stereo Signal	8
Tape Player	9
Playing a Tape	9
Continuous Playback	9
Recording	9
From Tuner	9
From CD	9
Tape to Tape	9
Troubleshooting Tips	10
Maintenance	10
Cleaning	10
CD Player	10
Tape Player	10
More Information	11
Limited Warranty	12

RS1286B

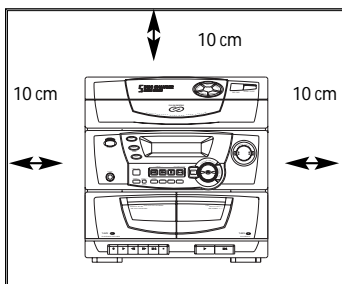
INSTALLATION

EN

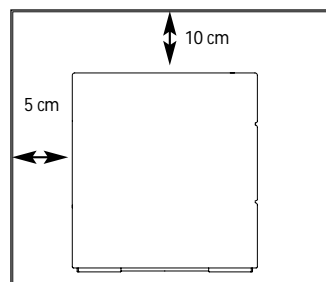


1. AM Loop Antenna Connector
2. Main Speaker Jacks
3. FM Antenna
4. Power Cord

To ensure sufficient ventilation, keep the spacings shown below free from other surfaces:



Front View



Side View

CONTROLS & INDICATORS

EN

CD Player

OPEN/CLOSE — Opens or closes the disc tray.

DISC 1 - DISC 5 — Selects disc 1, 2, 3, 4, or 5

DISC SKIP — Skips to the next CD in the tray

STANDBY/ POWER — Turns power on or off (STANDBY mode).

PHONES — Jack for connecting headphone

CD — Selects the CD player

TUNER — Selects the tuner/ frequency band

TAPE — Selects the tape player

PROG/SET — Enters CD program mode/ tuner preset station mode

DEMO/DIMMER — Turns the feature demonstration on or off; adjusts display brightness



STOP — Stops CD playback and clears programmed tracks



SKIP FORWARD/ PRESET UP — Increments tuner preset station, CD track



SKIP BACKWARD/ PRESET DOWN — Decrements tuner preset station, CD track



PLAY/PAUSE — Plays or pauses CD

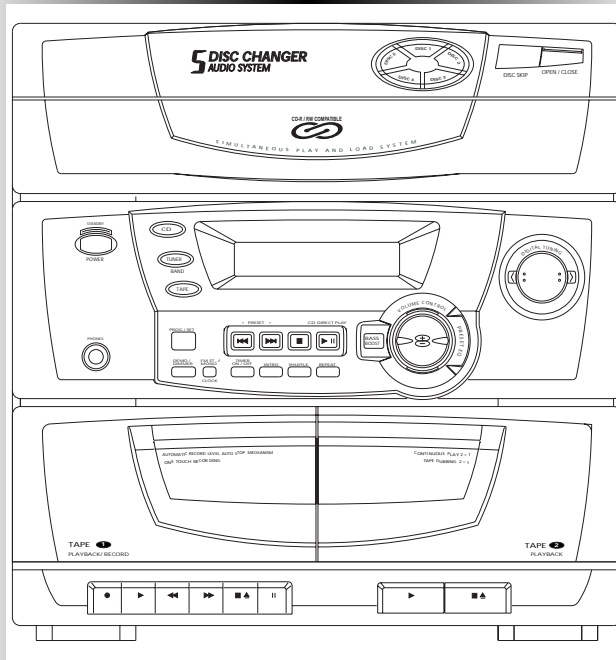
FM STEREO/ CLOCK — Toggles between FM stereo/ mono and shows clock time.

TIMER ON/OFF — Enters timer setting mode and turns the mode on/off

INTRO — Turns INTRO mode on or off to play the first 10 seconds of each track.

SHUFFLE — Turns SHUFFLE mode on or off to play CDs randomly.

REPEAT — Turns REPEAT mode on or off to repeat a track, a disc, or all discs



Tape Player

BASS BOOST — Turns bass boost on or off.

PRESET EQ — Toggles among FLAT, JAZZ, ROCK, POP & CUSTOM mode.

VOLUME — Increases/ decreases volume.

DIGITAL TUNING — Searches up/down frequency to next station or numerical values

Tape 1:



RECORD
PLAY
REWIND
FAST-FORWARD
STOP/EJECT
PAUSE

Tape 2:



PLAY
STOP/EJECT



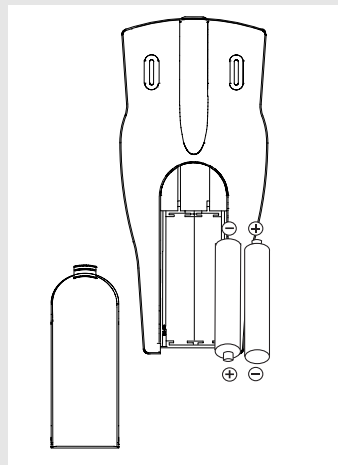
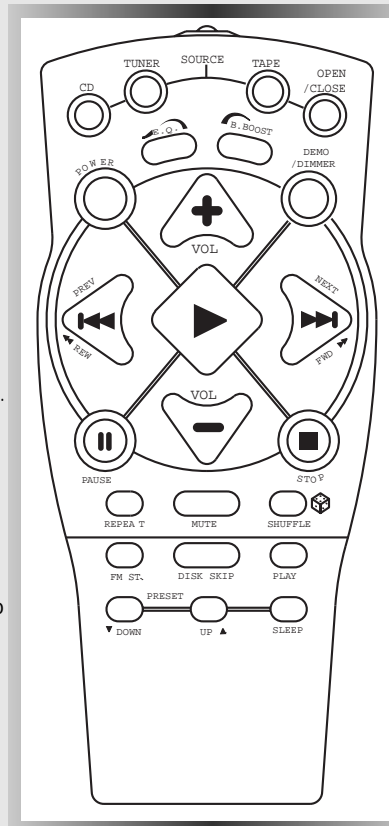
Tip: In **STANDBY** mode (press **POWER** off), the system displays the time. Press **POWER** to turn the system on in the previously used mode. Press **CD**, **TAPE** or **TUNER** to select the corresponding mode. Look at the display icons to identify the current mode.

CONTROLS & INDICATORS

EN

Remote Control

- POWER** — Turns power on or off (*STANDBY* mode).
- TUNER** — Selects tuner / frequency band
- CD** — Selects CD player
- TAPE** — Selects tape player
- OPEN/CLOSE** - Opens and closes disc tray
- MUTE** — Mutes volume
- VOL+ or VOL-** — Increases/ decreases volume
- EQ** — Selects equalizer presets
- PLAY** — Plays current CD.
- STOP** — Stops playing CD
- NEXT/FWD** — Increments CD track; searches CD
- PREV/REW** — Decrements CD track; searches CD
(Press **PREV/REW**, **NEXT/FWD** to tune up or down tuner frequencies)
- FM ST.** - Selects between stereo and mono sound in FM band.
- DISK SKIP** — Skips to next CD
- REPEAT** — Repeats a track, CD, or all CDs.
- PAUSE** — Pauses the CD
- SHUFFLE**— Turns on/off random listening
- B. BOOST** — Turns on or off Bass Boost
- SLEEP** — Press to select the time interval in minutes before the unit turns off.
- DEMO/DIMMER** — Selects dimmer levels and activates demo display when keep pressing for 2 seconds
- PRESET UP/DOWN** — Selects next/ previous preset station



Battery Size:
"AAA" or "UM-4" or "R03"

Display



EN

Showing the Demonstration

Press and hold **DEMO/DIMMER** for more than 2 seconds to turn on/off demonstration mode. The demonstration scrolls through all display operations.

DISPLAY CLOCK/TIMER

Setting the Time

1. Press and hold **CLOCK** until the hour flashes on the display.
2. Press **PRESET UP** or **DOWN** to set the hour and then press **CLOCK** to shift to minute digits.
3. Press **PRESET UP** or **DOWN** to set the minute.
4. Press **SET** to save settings.

Press **STOP** at anytime in clock setting mode to quit setting.

Note: When system is ON, you can press **CLOCK** to display the current time for about 2 seconds (not available in Tuner FM mode).

Setting the Timer

1. Press and hold **TIMER** until the hour flashes on the display. (**ON** - timer on time).
2. Press **PRESET UP** or **DOWN** to set the hour and then press **TIMER** to shift to minute digits.
3. Press **PRESET UP** or **DOWN** to set the minute. Press **SET** to save the setting.
4. Press **TIMER** to shift to volume setting with flashing **VOL XX** on the display. Adjust volume between levels 5 and **MAX** (to prevent volume being too low) with the **VOLUME UP/ DOWN**.
5. Press **TIMER** to set the off hour. (**OF** - timer off time)
6. Repeat steps 2-3 to set the timer off time.
7. Press **SET** to save the settings.

(Note: you can also set the timer off time separately when the unit is in CD, Tuner or Tape mode)

Activating the Timer

Press and release **TIMER ON/OFF** to turn on/off the alarm. The alarm is active when the clock icon indicator is lit.



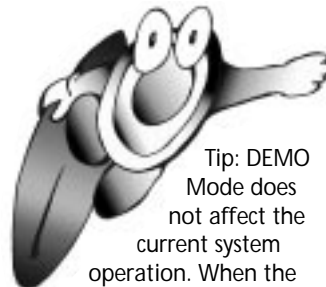
Adjusting the Display Brightness

1. Press and release **DEMO/DIMMER**.
2. Press **DEMO/DIMMER** to select the desired level (**DIMM 1 - 3**).

DIM 2

Sleep Mode

You can select the time interval in minutes for the unit to turn off automatically. Press **SLEEP** on the remote to select among 5, 15, 30, 60 & 90 minutes.



Tip: DEMO Mode does not affect the current system operation. When the system is initially plugged in, DEMO mode is activated.

Sound Features

EN Using Preset Equalizer Curves

PRESET EQ are toggles for preset equalizer levels. Press to toggle among FLAT, ROCK, POP, JAZZ and CUSTOM. The display momentarily shows the selection.

Creating a Custom Curve

1. Press **PRESET EQ** to select **CUSTOM** mode.
2. While "**CUSTOM**" is displayed, press **PRESET UP** or **DOWN** repeatedly to cycle among displayed bass-, mid-, and treble - range levels.
3. While **BAS**, **MID**, or **TRE** is displayed, press **VOUME UP/DOWN** to set the associated gain between -10 - +10.

MID + 0 8

Boosting the Bass

Press **BASS BOOST** to turn on/off boosted bass frequency.

Muting Audio

Press **MUTE** on the remote to cut the sound.

MUTE



Tip: While playing a CD, press and hold **SKIP-FORWARD** or **BACKWARD** for more than 2 seconds to search through the CD.

CD PLAYER



CD-R / RW

This unit is compatible with CD-RW/ CD-R discs for playback.

Notes on CD-R/RW Disc:

- CD-R/RW discs that are recorded by personal computers or some CD-R/RW recorders may not be played on this unit due to the difference in recording platforms.
- Do not affix any type of labels to either side (recordable or labeled side) of a CD-R/RW disc as this may result in the unit malfunctioning.
- To avoid damages to the CD-R/RW disc, do not open the disc compartment door while the disc is being read.
- Do not load an unrecorded CD-R/RW disc into the unit. This may take a longer time to read the disc.
- **Playback capability for CD-RW discs may vary due to variations in the quality of the CD-RW disc and the recorder used to create the disc.**

Loading Discs

1. Press **CD** to select **CD** mode.
2. Press **OPEN/CLOSE** to open the drawer.
3. Insert up to five discs with label face up. (Press **DISC SKIP** to rotate the disc carrier.)
4. Press **OPEN/CLOSE** to close the drawer.

Playing Discs

Press **PLAY/PAUSE** to begin or pause play, and **STOP** to stop play.
Select a specific disc by pressing **DISC 1 - DISC 5**.
Press **SKIP FORWARD/ BACKWARD** to select a specific track.

CD PLAYER

Play and load simultaneously by:

1. Press **OPEN/CLOSE** to open the tray, while a CD is playing.
2. Load discs on available trays.
3. Press **OPEN/CLOSE** to close the tray.

Shuffling the Play Order

Press **SHUFFLE** to turn on/off the playing of tracks in random order.

Sampling Tracks

Press **INTRO** to play the first 10 seconds of each track on the current disc, all discs in the tray, or turn **INTRO** mode off.

Repeating the Play Order

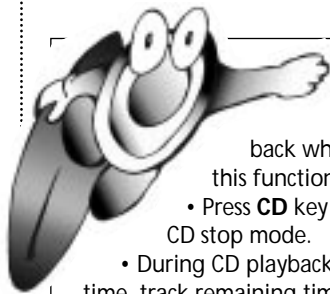
Press **REPEAT** to repeat the current track, current disc, all discs, or turn **REPEAT** mode off.

Setting Up a CD Program

You can program the CD player to play up to any 32 tracks on the CDs in the tray.

1. While the CD player is stopped, press **SET** to enter **PROGRAM** mode. The system displays the next available program number: " - - P : 01," with " - -" flashing, prompts you for the first track in the program list.
2. Press **SKIP FORWARD/BACK-**

5 P : 01



More Tips on Playing and Setting Program:

- Direct Play function: Press **DISC 1-5** or **PLAY** for direct playback when the unit is in standby, CD, Tuner and Tape mode. However, this function does not activate when tape is being played.
- Press **CD** key to see the total disc time after reading the total no. of tracks in CD stop mode.
- During CD playback, press CD key to toggle among the displays of Track elapsed time, track remaining time, disc elapsed time, disc remaining time and total number of tracks for the current disc.
- You can create a program of up to 32 tracks.

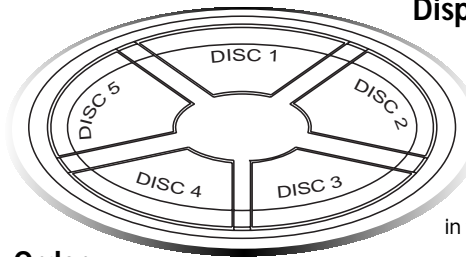
3. Immediately press **SET** to assign the selected track to the program number. You are then prompted for the next track in the program list.

Playing a Program List

While in **PROGRAM** mode, press **PLAY**.

Displaying the Program List

1. While the CD player is stopped, press **SET** to enter **PROGRAM** mode.
2. Press **SET** repeatedly to list each track assignment in the program list.



Deleting Program List

While in **PROGRAM** mode, press and hold **STOP** for 5 seconds. The system displays the message **CLEAR**.

Skipping a Disk

Press **DISC SKIP**.

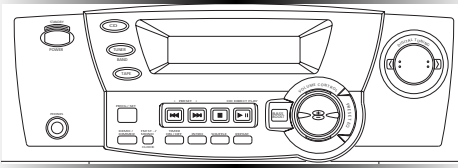
Searching Through a CD

Press and hold **SKIP FORWARD/BACKWARD** to search through a CD as it is playing.

EN

TUNER

EN



1. Press **TUNER** to select the radio.
2. Press **TUNER** again to change the radio band.
Choices are:
AM/FM (RCA models)
The tuner can be either TUNE or PRESET mode.
When in PRESET mode, the PROG light is on.

Tip: Your audio system has 32 preset stations.

Tuning to a Station

Press **TUNING UP/ DOWN** to select frequencies.

87.50 MHz

Using Presets

Press **PRESET UP or DOWN** to access the previous or next preset station. The display first shows the preset program number and after a few seconds, the frequency and then the preset program number again.

FM P:01

Auto Preset Programming

(FM BAND ONLY)

Press and hold **TUNER** button for 2 seconds to scan stations in FM band. The stations will then be stored as preset channels. A maximum of 32 stations can be stored. Beware of your preset channels being erased accidentally because the scanning and storing process is automatic upon pressing and holding **TUNER** button.

You can stop the automatic scan by pressing **TUNER** button, but the erased stations cannot be recovered.

Setting Presets

1. Press **TUNING UP/ DOWN** to access the desired frequency.
2. Press the **SET** button once.
3. The most recently accessed program location will be displayed together with a blinking **PROG** icon.
4. If a different program location is preferred, press **PRESET UP/ DOWN** to move to the desired preset number (1-32).
5. Press **SET** to store the selected frequency at that preset.

PROG
FM P:01

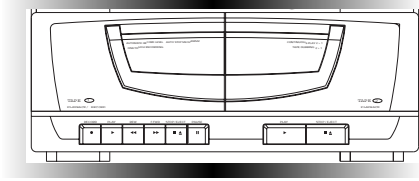
Suppressing Stereo Signal

Press **FM STEREO** to toggle between FM mono and stereo for stereo FM stations.



Tip: Press **DIGITAL TUNING UP/ DOWN** for more than 1 second to automatically tune up/down the band for the next station.

TAPE PLAYER



Playing a Tape

Tip: You can play a tape from either deck.

1. Press **TAPE**.
2. Press **STOP/EJECT** to open the cassette door.
3. Insert a tape into the door and push the door closed.
4. Press **REWIND/FAST FORWARD** to position the tape to the desired starting position.
5. Press **PLAY**.

Continuous Playback

1. Insert a tape into deck 2 and start playback.
2. Insert a tape into deck 1 and press **PLAY** and **PAUSE** together.
3. When the tape in deck 2 finishes playback, **PAUSE** button at deck 1 will be released automatically and start playback.

Recording From Tuner

1. Insert a tape into deck 1.
2. Press **TUNER** to access the desired radio band.
3. Tune to the station to be recorded.
4. Press **RECORD** to begin recording.
5. Press **STOP** to end recording.

From CD

1. Insert a tape into deck 1.
2. Press **CD**.
3. Insert the disc(s) to be recorded.
4. Select the track, CD, or program to be recorded.
5. Press **RECORD** to begin recording.
6. **CD** begins to play.
7. Press **STOP** to end recording.

Tape to Tape

1. Insert the destination tape in deck 1.
2. Insert the source tape into deck 2.
3. Press **PAUSE** and then **RECORD** on deck 1.
4. Press **PLAY** on deck 2. The playback and recording start simultaneously.

EN

TROUBLESHOOTING TIPS

EN

Problem	Solution	Problem	Solution
System will not turn on	Check power cord for a secure connection. Unplug the unit for a moment, and then plug into power source again. Check the outlet by plugging in another device.	CD button will not respond, or does not change discs when you press DISC SKIP	Switch to another function (TAPE, Tuner) and then back to CD.
No sound	Increase the volume setting. Check connection to speakers. Check that you have selected the appropriate function: CD, TAPE, Tuner.	Distorted or noisy tape recordings	Inspect the tape heads, clean and demagnetize.
Poor radio reception	Check antenna connection. Move antenna. Turn off nearby electrical appliances, such as hair dryer, vacuum cleaner, microwave, fluorescent lights.	Remote control does not work	Check that the batteries are properly installed. Replace weak batteries. Check the system is plugged in to power source. Point the remote directly at the system's front panel. Move closer to the system. Remove any obstacles between the remote and the system.
CD does not play	Check that CD is in the tray. Check that CD label is facing up. Check that PAUSE mode is not on. Check that CD function is selected. Clean CD lens with RCA lens cleaner.		
CD sound skips	Clean the disc. Check disc for warping, scratches, or other damage. Check if something is causing the system to vibrate. If so, move the system.		

MAINTENANCE

Disconnect the audio system from the power source before performing any maintenance.

Cleaning

Clean the exterior of the system using a soft dust cloth.

CD Player

CAUTION! This system operates with a laser. It must be opened by only a qualified technician.

CD Lens Care

When your CD lens gets dirty it can also cause the

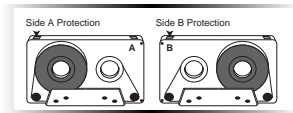
system to output poor sound quality. To clean the lens you will need to purchase a CD lens cleaner which can maintain the output sound quality of your system. For instructions on cleaning the CD lens, refer to the ones accompanying the lens cleaner.

Tape Player

To prevent deterioration of sound quality, periodically open the door of each deck and clean the magnetic heads, pinch roller, and capstan with a cotton bud dipped in alcohol. Also, demagnetize the head by playing a demagnetizing cassette (available through an audio equipment store).

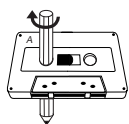
MORE INFORMATION

To protect recordings one or both sides of a tape, remove the corresponding tab. If you later want to record on the tape, affix a piece of adhesive tape over the hole.



Quit Slacking

A little bit of slack in your tapes can cause scratches on the tape, or worse yet, the tape could break. If you notice some slack in the tape, use a pencil to tighten it up before you insert it.



Safety Precautions

- Never open the cabinet under any circumstances. Any repairs or internal adjustments should be made only by a trained technician.
- Never operate this product with the cabinet removed.
- Do not touch the player with wet hands. If any liquid enters the player cabinet, take the player to a trained technician for inspection.
- This compact disc player uses a laser to read the music on the disc. The laser mechanism corresponds to the cartridge and stylus of a record player. Although this product incorporates a laser pick-up lens, it is completely safe when operated according to directions.
- Discs rotate at high speed inside the player. Do not use damaged, warped, or cracked discs.
- Do not touch the pick-up lens which is located inside the disc compartment. Also, to keep dust from collecting on the pick-up lens and do not leave the compartment door open for an extended period of time. If the lens becomes dirty, clean it with a soft brush, or use an air blower brush designed for camera lenses.
- Do not expose this appliance to rain and moisture.

Important Battery Information

- Remove the batteries to avoid leakage if you do not use your remote control for more than one month. Discard leaky batteries immediately as leaking batteries may cause skin burns or other personal injuries. Dispose of batteries in the proper manner, according to provincial and local regulations. Any battery may leak electrolyte if mixed with a different battery type, if inserted incorrectly, if all batteries are not replaced at the same time, if disposed of in fire, or if an attempt is made to charge a battery not intended to be recharged.

Headset Safety

- Do not play your headset at a high volume. Hearing experts warn against extended high-volume play.
- If you experience a ringing in your ears, reduce volume or discontinue use.
- You should use extreme caution or temporarily discontinue use in potentially hazardous situations. Even if your headset is an open-air type designed to let you hear outside sounds, don't turn up the volume so high that you are unable to hear what is around you.

Don't Infringe

This product should only be used for the purposes for which it is sold, that is, entertainment, violating no copyright law. Any attempts to use this product for which it is not intended is unlawful and therefore not condoned by Thomson multimedia Inc.

Technical Specification

Power supply: 120V ~60Hz for RCA models.
 Dimensions (mm): Unit -380W x400D x 312H
 Speaker-214W x 188D x 312 H
 Tape deck: Response curve: 125Hz-8kHz (-5dB)
 CD player: Response curve (+/- 2dB): 20Hz to 20 kHz
 Rating Plate: Look for it at the back of the set.

The descriptions and characteristics given in this document are given as a general indication and not as a guarantee. In order to provide the highest quality product possible, we reserve the right to make any improvement or modification without prior notice. The English version serves as the final reference on all products and operational details should any discrepancies arise in other languages.

EN

Limited Warranty (For US)

EN RCA AUDIO SYSTEMS

What your warranty covers:

- Defects in materials or workmanship.

For how long after your purchase:

- One year from date of purchase for labor and parts
- Warranty period for rental units begins with the first rental or 45 days from date of shipment to the rental firm, whichever comes first.

What we will do:

- Pay any Authorized RCA Audio Service Center the labor charges to repair your unit.
- Pay any Authorized RCA Audio Service Center for the new or, at our option, refurbished replacement parts required to repair your unit.

How you get service:

- Take your unit to any Authorized RCA Audio Service Center. To identify your nearest Authorized RCA Audio Service Center, ask your dealer, look in the Yellow Pages, or call 1-800-336-1900.
- Show the Authorized Service Center Representative your evidence of purchase date or first rental.
- Pick up your unit when repairs are completed.
- Proof of purchase in the form of a bill of sale or receipted invoice which is evidence that the product is within the warranty period must be presented to obtain warranty service. For rental firms, proof of first rental is also required.

What your warranty *does not* cover:

- Customer instruction. (Your Owner's Manual describes how to install, adjust, and operate your unit. Any additional information should be obtained from your dealer.)
- Installation and related adjustments.
- Signal reception problems not caused by your unit.
- Damage from misuse or neglect.
- Cleaning of audio heads.
- Batteries.
- A unit that has been modified or incorporated into other products or is used for institutional or other commercial purposes.
- A unit purchased or serviced outside the U.S.A.
- Acts of nature, such as but not limited to lightning damage.

Product Registration:

- Please complete and mail the Product Registration Card packed with your product. It will make it easier to contact you should it ever be necessary. The return of the card is not required for warranty coverage.

Limited Warranty (For US)

Limitation of Warranty:

- THE WARRANTY STATED ABOVE IS THE ONLY WARRANTY APPLICABLE TO THIS PRODUCT. ALL OTHER WARRANTIES, EXPRESS OR IMPLIED (INCLUDING ALL IMPLIED WARRANTIES OF MERCHANTABILITY OR FITNESS FOR A PARTICULAR PURPOSE) ARE HEREBY DISCLAIMED. NO VERBAL OR WRITTEN INFORMATION GIVEN BY THOMSON MULTIMEDIA INC., ITS AGENTS OR EMPLOYEES SHALL CREATE A WARRANTY OR IN ANY WAY INCREASE THE SCOPE OF THIS WARRANTY.
- REPAIR OR REPLACEMENT AS PROVIDED UNDER THIS WARRANTY IS THE EXCLUSIVE REMEDY OF THE CONSUMER. THOMSON MULTIMEDIA INC. SHALL NOT BE LIABLE FOR INCIDENTAL OR CONSEQUENTIAL DAMAGES RESULTING FROM THE USE OF THIS PRODUCT OR ARISING OUT OF ANY BREACH OF ANY EXPRESS OR IMPLIED WARRANTY ON THIS PRODUCT. THIS DISCLAIMER OF WARRANTIES AND LIMITED WARRANTY ARE GOVERNED BY THE LAWS OF THE STATE OF INDIANA. EXCEPT TO THE EXTENT PROHIBITED BY APPLICABLE LAW, ANY IMPLIED WARRANTY OF MERCHANTABILITY OR FITNESS FOR A PARTICULAR PURPOSE ON THIS PRODUCT IS LIMITED TO THE APPLICABLE WARRANTY PERIOD SET FORTH ABOVE.

How State Law relates to warranty:

- Some states do not allow the exclusion nor limitation of incidental or consequential damages, or limitations on how long an implied warranty lasts, so the above limitations or exclusions may not apply to you.
- This warranty gives you specific legal rights, and you also may have other rights that vary from state to state.

If you purchased your unit outside the United States:

- This warranty does not apply. Contact your dealer for warranty information.

Service calls which do not involve defective materials or workmanship are not covered by this warranty. Costs of such service calls are the sole responsibility of the purchaser.

Limited Warranty (For Canada)

RCA AUDIO SYSTEMS

What your warranty covers:

- Defects in materials or workmanship.

For how long after your purchase:

- One year from date of purchase for labor and parts
- The warranty period for rental units begins with the first rental or 45 days from date of shipment to the rental firm, whichever comes first.

What we will do:

- Pay any Authorized RCA Audio Service Center the labor charges to repair your unit.
- Pay any Authorized RCA Audio Service Center for the new or, at our option, refurbished replacement parts required to repair your unit.

How you get service:

- Take your unit to any Authorized RCA Audio Service Center. To identify your nearest Authorized RCA Audio Service Center, ask your dealer, look in the Yellow Pages, or call 1-800-336-1900.
- Show the Authorized Service Center Representative your evidence of purchase date or first rental.
- Pick up your unit when repairs are completed.
- Proof of purchase in the form of a bill of sale or receipted invoice which is evidence that the product is within the warranty period must be presented to obtain warranty service. For rental firms, proof of first rental is also required.

What your warranty does not cover:

- Customer instruction. (Your Owner's Manual describes how to install, adjust, and operate your unit. Any additional information should be obtained from your dealer.)
- Installation and related adjustments.
- Signal reception problems not caused by your unit.
- Damage from misuse or neglect.
- Cleaning of audio heads.
- Batteries.
- A unit that has been modified or incorporated into other products or is used for institutional or other commercial purposes.
- A unit purchased or serviced outside Canada.
- Acts of nature, such as but not limited to lightning damage.

Product Registration:

- Please complete and mail the Product Registration Card packed with your product. It will make it easier to contact you should it ever be necessary. The return of the card is not required for warranty coverage.

Limited Warranty (For Canada)

Limitation of Warranty:

- THE WARRANTY STATED ABOVE IS THE ONLY WARRANTY APPLICABLE TO THIS PRODUCT. NO VERBAL OR WRITTEN INFORMATION GIVEN BY THOMSON MULTIMEDIA LTD., ITS AGENTS OR EMPLOYEES SHALL CREATE A GUARANTY OR IN ANY WAY INCREASE THE SCOPE OF THIS WARRANTY.
- REPAIR OR REPLACEMENT AS PROVIDED UNDER THIS WARRANTY IS THE EXCLUSIVE REMEDY OF THE CONSUMER. THOMSON MULTIMEDIA LTD. SHALL NOT BE LIABLE FOR INCIDENTAL OR CONSEQUENTIAL DAMAGES RESULTING FROM THE USE OF THIS PRODUCT. EXCEPT TO THE EXTENT PROHIBITED BY APPLICABLE PROVINCIAL LAW, ANY IMPLIED WARRANTY OF MERCHANTABILITY OR FITNESS FOR A PARTICULAR PURPOSE ON THIS PRODUCT IS LIMITED TO THE APPLICABLE WARRANTY PERIOD SET FORTH ABOVE.

How Provincial Laws relates to warranty:

- This warranty gives you specific legal rights which are in addition to statutory warranties that may vary from Province to Province.

If you purchased your unit outside Canada:

- This warranty does not apply. Contact your dealer for warranty information.

Service calls which do not involve defective materials or workmanship are not covered by this warranty. Costs of such service calls are the sole responsibility of the purchaser.

Free Manuals Download Website

<http://myh66.com>

<http://usermanuals.us>

<http://www.somanuals.com>

<http://www.4manuals.cc>

<http://www.manual-lib.com>

<http://www.404manual.com>

<http://www.luxmanual.com>

<http://aubethermostatmanual.com>

Golf course search by state

<http://golfingnear.com>

Email search by domain

<http://emailbydomain.com>

Auto manuals search

<http://auto.somanuals.com>

TV manuals search

<http://tv.somanuals.com>