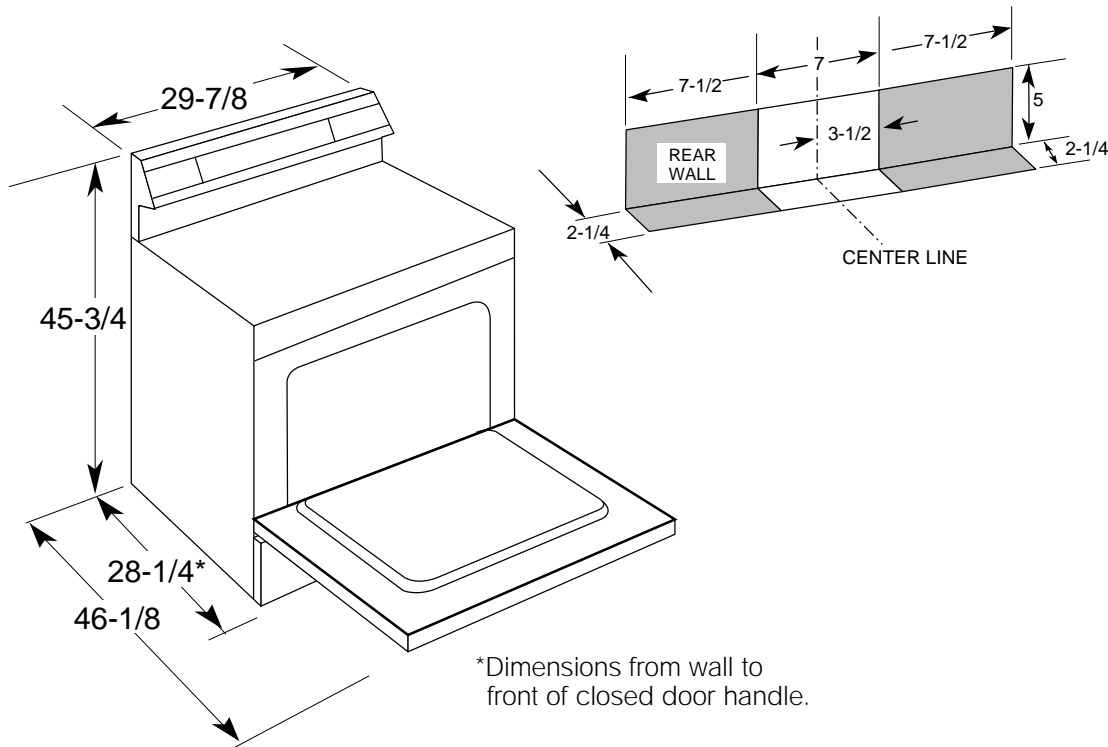




## LEB356GY—30" Free-Standing Electric Range

### Dimensions and Installation Information (in inches)



KW Rating	
240V	10.1
208V	7.6

**Receptacle Locations:** Flexible service cord or conduit must be used because terminals are not accessible after range installation. See shaded area in drawing for location of electrical outlet box. Recommended outlet locations allow range to be installed directly against rear wall.

**Note:** Conforms to U.L. requirements for 0" spacing from walls above countertops. To reduce possibility of scorching of walls, engineering recommended a minimum of 1-1/2" spacing to allow for possible extended, high-heat, no-load heating element operation.

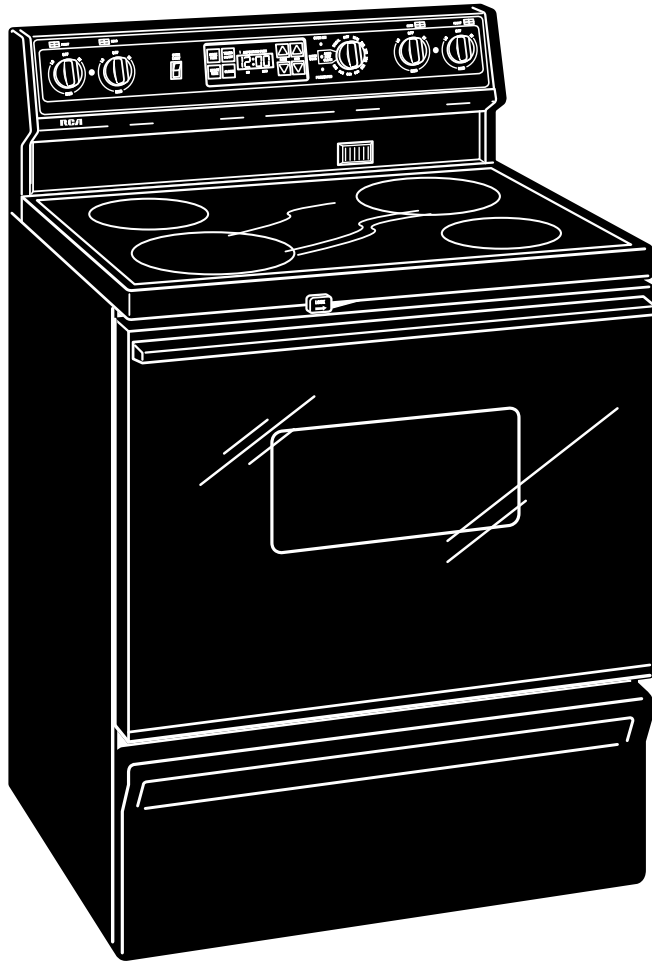
**Installation Information:** Before installing, consult installation instructions packed with product for current dimensional data.

For answers to your GE Monogram™, GE Profile™, GE, Hotpoint and RCA appliance questions, call GE Answer Center® service, 800.626.2000.





## LEB356GY—30" Free-Standing Electric Range



### Features and Benefits

- Black on black Model
- Patterned Black Glass-Ceramic Cooktop
- Two 8" and Two 6" Ribbon Heating Elements
- Self-Cleaning Oven
- Automatic Oven Timer
- Auto Oven Shut-Off
- Two-Step Self-Clean
- Electronic Clock and Timer
- Broiler Pan With Grid
- Two Oven Racks
- Interior Oven Light
- Frameless Black Glass Oven Door With Window
- Color-Matched Visor Handle
- Full-Width Storage Drawer
- Also Available in White on white as Model LEB356WY

## Free Manuals Download Website

<http://myh66.com>

<http://usermanuals.us>

<http://www.somanuals.com>

<http://www.4manuals.cc>

<http://www.manual-lib.com>

<http://www.404manual.com>

<http://www.luxmanual.com>

<http://aubethermostatmanual.com>

Golf course search by state

<http://golfingnear.com>

Email search by domain

<http://emailbydomain.com>

Auto manuals search

<http://auto.somanuals.com>

TV manuals search

<http://tv.somanuals.com>