



flat panel solutions

Fixed Wall Mount for LCD, Plasma,
and LED Displays

Instruction Manual

MS60BKR

Fits TVs 32" - 60"

Maximum Load

Capacity – 130 lb (60kg)

Specifications

Display Size:	32" to 60"
Maximum Load:	130 lb (60kg)
Mounting Pattern:	600 mm x 400 mm (23.6" x 15.7") max
Profile:	1.2" (3.0 cm)

Box contents

- | | |
|--|--|
| <input type="checkbox"/> Wall Plate (x1) | <input type="checkbox"/> Instruction Manual (x1) |
| <input type="checkbox"/> Mount Arm (x2) | <input type="checkbox"/> Hardware Kit (x1) |
| <input type="checkbox"/> Safety Rod (x1) | <input type="checkbox"/> Template (x1) |

Warnings

- 1. Read these instructions before you begin.** If you are unsure of any part of the process, contact a professional contractor or installer for assistance. Improper installation can result in injury or damage.
- 2.** The wall or mounting surface must be capable of supporting the combined weight of the mount and the display; if not, the structure must be reinforced.
- 3.** Locate pipes, wires, or any other hazards in the wall where you wish to install the mount before drilling.
- 4.** Safety gear and proper tools must be used. Failure to do so can result in injury or damage.
- 5.** Two people are recommended for installation. Do not attempt to lift a heavy display without assistance.
- 6.** Follow all instructions and recommendations regarding adequate ventilation and suitable locations for mounting your display. Consult the owner's manual for your particular display for more information.



CAUTION:

This wall mount is intended for use only with the maximum weight of 60 kg (130 lbs). Use with heavier than the maximum weights indicated may result in instability causing possible injury.

Pour des instructions en français, se reporter à la page 5.












Para obtener instrucciones en español, consulte la página 9.

Continues on next page...

Tools required

- Phillips-Head Screwdriver
- Ratchet or Driver with 13 mm (1/2") Socket
- Electric or Portable Drill
- 5 mm (3/16") Drill Bit and Stud Finder for Drywall Installation
- 10 mm (3/8") Masonry Bit for Concrete Installation
- Level

Hardware kit

(A) M8 x 63 Lag Bolt (x2)		(G) M6 x 30 Screw (x4)	
(B) Lag Bolt Washer (x2)		(H) M8 x 12 Screw (x4)	
(C) Concrete Anchor (x2)		(I) M8 x 30 Screw (x4)	
(D) M4 x 12 Screw (x4)		(J) M6 Washer (x4)	
(E) M4 x 20 Screw (x4)		(K) Spacer (x8)	
(F) M6 x 12 Screw (x4)			

Installation

Part 1A – Mounting to the Wall (Drywall)

IMPORTANT! For safety reasons, this mount must be secured to at least two wood studs no less than 16" apart. The studs must be capable of supporting the combined weight of the mount and display.

1. Use a high quality stud finder to locate two adjacent studs where you wish to install your mount. Mark both edges of each stud to help identify the exact center.

NOTE: You must use the center of each stud to avoid cracking or splitting the wood during installation.

2. Place the mounting template against the wall over the marked studs. Make sure the template is level.
3. Drill two 5 mm (3/16") pilot holes in the wall using the template as a guide. Drill one hole per stud (see Fig. 1).
4. Remove the template from the wall and place wall plate against the wall over the pilot holes.
5. Attach the wall plate to the wall using the lag bolts (A) and lag bolt washers (B) provided (see Fig. 2). **Do not over-tighten these bolts and do not release the wall plate until both bolts are in place.** Ensure that the wall plate remains level after both bolts are secured.

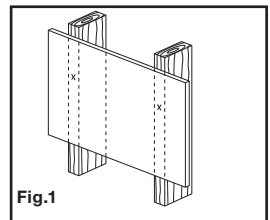


Fig.1

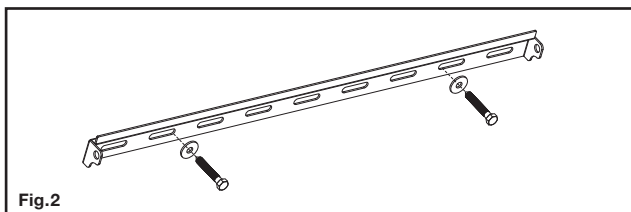


Fig.2

Part 1B – Mounting to the Wall (Concrete)

IMPORTANT! For safety reasons, the concrete wall must be capable of supporting the combined weight of the mount and the display. The manufacturer takes no responsibility for failure caused by walls of insufficient strength.

1. Place the mounting template against the wall in the desired location. Make sure the template is level.
2. Drill two 10 mm (3/8") holes in the wall using the template as a guide. Remove any excess dust from the holes (see Fig. 3).

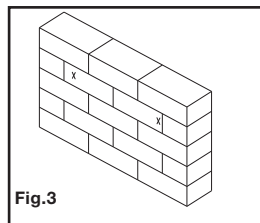


Fig.3

3. Remove the template from the wall and insert a concrete anchor (C) into each hole so that it is flush with the concrete surface. A hammer can be used to lightly tap the anchors into place if necessary.

NOTE: If the concrete wall is covered by a layer of plaster or drywall, the concrete anchor must pass completely through the layer to rest flush with the concrete surface.

4. Place the wall plate against the wall over the inserted anchors and attach it using the lag bolts (A) and lag bolt washers (B) provided (see Fig. 4). **Do not over-tighten these bolts and do not release the wall plate until both bolts are in place.** Ensure that the wall plate remains level after both bolts are secured.

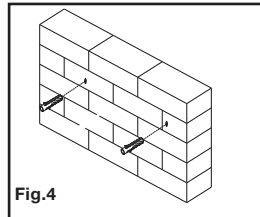


Fig.4

Part 2 – Attaching the Mount Arms to the Display

IMPORTANT! Use extra care during this part of the installation. If possible, avoid placing your display facedown as it may damage the viewing surface.

NOTE: This mount comes with a selection of different screw diameters and lengths to accommodate a wide variety of display models. Not all of the hardware in the kit will be used. If you cannot find the appropriate screw size in the kit provided, consult the manufacturer of your display for more information.

1. Determine the correct length of screw to use by examining the back of your display:
 - A. If the back of your display is flat and the mounting holes are flush with the surface, you will use the shorter screws (D, F, or H) from the hardware kit.
 - B. If the back of your display is curved, has a protrusion, or if the mounting holes are recessed, you will need to use the longer screws (E, G, or I) and may also need to use the spacers (K).
2. Determine the correct diameter of screw to use by carefully trying one of each size (M4, M6 and M8) from the hardware kit. **Do not force any of the screws – if you feel resistance stop immediately and try a smaller diameter screw.**
3. Attach the mount arms to the back of your display using the screws identified in Steps 1 and 2 (see Fig. 5):

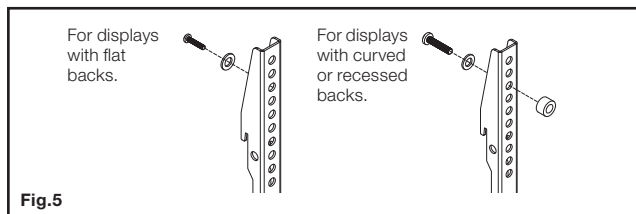


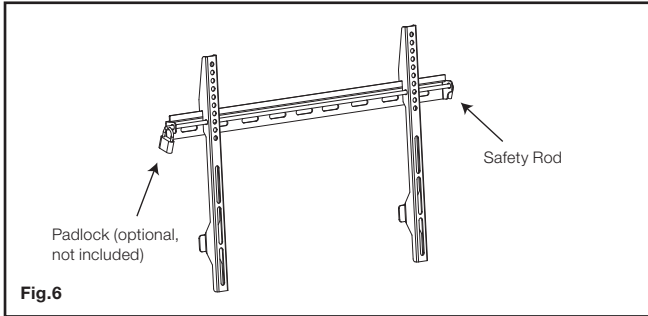
Fig.5

- A. If you are using the M4 or M6 screws you will also need to use the M6 washers (J). M8 screws do not require washers.
- B. If you are using the longer screws on a display with a curved or recessed back, you may also need to use the spacers (K). Use one spacer or two spacers stacked as needed. **Only use a spacer if necessary.**

Continues on next page...

Part 3 – Final Assembly

1. With the help of another person, carefully lift your display and place it on the wall plate. **Do not release the display until the mount arms have securely hooked onto the wall plate.**
2. Insert the safety rod through the wall plate to prevent the display from being lifted from the wall plate. A padlock can be inserted into the end of the rod to help prevent theft of your display (see Fig. 6).



IMPORTANT! The safety rod should be used at all times to prevent the display from being accidentally knocked from the mount.

3. Periodically clean your mount with a dry cloth. Inspect all screws and hardware at regular intervals to ensure that no connections have become loose over time. Re-tighten as needed.

Free Manuals Download Website

<http://myh66.com>

<http://usermanuals.us>

<http://www.somanuals.com>

<http://www.4manuals.cc>

<http://www.manual-lib.com>

<http://www.404manual.com>

<http://www.luxmanual.com>

<http://aubethermostatmanual.com>

Golf course search by state

<http://golfingnear.com>

Email search by domain

<http://emailbydomain.com>

Auto manuals search

<http://auto.somanuals.com>

TV manuals search

<http://tv.somanuals.com>