



flat panel solutions

LCD TV Wall Mount Installation Manual

Fits TVs 13" - 27"

Maximum Load Capacity – 40 lbs. (18 kg)



MAF40BKR

Thank you for choosing a Universal Flat Panel TV Wall Mount from RCA. This mount can be used for all major brands of 13" - 27" flat panel TVs, 40 lbs (18 kg) or under. This wall mount features a 0-15-degree tilt, 180-degree pan and swivel, and double swing arm extension for easy viewing. Before attempting to mount your television set, please remove all parts from this package and read the installation instructions carefully.

WARNING: Use of this mount with a TV weighing over 40 lbs. or with a screen larger than 27" could cause the mount to fail causing property damage and/or personal injury.

CAUTION:

This wall mount is intended for use only with the maximum weight of 18 kg/40 lbs. Use with heavier than the maximum weights indicated may result in instability causing possible injury. Follow the installation and operation instructions carefully.

Safety precautions

Follow these precautions to ensure safe installation and mounting of your flat panel TV.

1. Be sure you have purchased the correct wall mount for your TV. Recheck the size and weight constraints.
2. Gather all necessary tools before you begin installation. You will need a #3 bit Phillips screwdriver, electric drill, drill bit (included), level (integrated level on product), stud finder, and hammer (for brick and concrete installations).
3. It is essential for the wall mount plate to be attached to wall studs. (Use a stud finder.)
4. Use the included hardware for mounting purposes. This hardware has been provided to ensure a safe and secure mount.
5. Hire a licensed electrician to relocate an electrical outlet, if needed.
6. Be sure to purchase wires long enough to connect the TV to the audio and video components in your installation.
7. We recommend you hire a professional installer, if you have any concerns about installing the TV wall mount yourself.

Keep your sales receipt to obtain warranty parts and service and for proof of purchase. Attach it here and record the model number.

Model No. _____

Purchase Date: _____

Dealer/Address/Phone _____

Specifications

Model:	MAF40BKR Two-piece, low-profile design
Description:	RCA Universal LCD TV Wall Mount with Swing Arm Extension
TV Size Range:	13" – 27"
Max. Load:	40 lbs. (18kg)
Min. Profile:	2.7" (6.9 cm)
Max. Extension:	9.6" (24.4 cm)
Tilt:	+/- 0-15°
Swivel:	180°
VESA Compliant:	100/100
Integrated Bubble Level / Cord Management System	

Preparing to install

Before beginning the installation process, verify that you have all the necessary tools on hand. The following tools are required for proper installation:

Tools

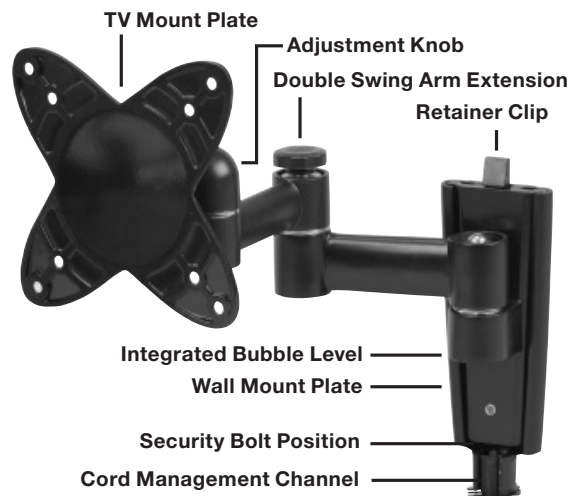
- #3 bit Phillips screwdriver
- Stud finder
- Electric drill
- Drill bit (included)
- 5/16" (8mm) masonry drill bit for concrete/brick installation
- Level (integrated level on product)
- Allen Wrench (included)
- Hammer (for concrete installations)

Package Contents

Make sure all the hardware has been included with your mount.

- (1) Drill Bit
- (3) 1-7/8" Drywall Screws
- (3) Concrete Anchors
- (2) Allen Wrenches
- (4) M4x12mm Bolts
- (4) M4x30mm Bolts
- (4) 1/2" Spacers
- (1) Security Bolt
- (1) Phillips-Head Driver

Product diagram



Attaching wall mount plate

Drywall Installation

1. Use a stud finder to locate a wood stud where you want to install the mount.
NOTE: It is required that the wall mount plate be attached to wall studs.
2. Locate center of stud.
3. Place the wall mount plate against the wall, with the cord management channel towards the bottom. Level it using the bubble guide. Mark the locations on the wall where the mount is to be installed.
4. Drill holes at each marked location using the enclosed wood drill bit.
5. Secure the wall mount plate to the wall, using one drywall screw, but do not completely tighten it yet.
6. Using the integrated bubble level, carefully adjust the wall mount plate until it is level.
7. Insert the remaining screws and tighten all three screws completely.

Concrete/Brick Installation

1. Place the wall mount plate against the wall with the cord management channel towards the bottom.
2. Using the integrated bubble level, mark off the position of the holes that will be used for securing the mount.
3. Place the wall mount plate aside.
4. Using an electric drill and a 5/16" (8mm) masonry bit, drill holes in the marked locations.
5. Remove any excess dust from the holes.
6. Insert a concrete anchor into each hole. If necessary, use a hammer to lightly tap each anchor into place so they are flush with the wall.
7. Once both anchors are in place, place the wall mount plate back into position. Using the integrated bubble level, carefully adjust the wall mount plate until it is level.
8. Attach the wall mount plate, using the drywall screws provided.
9. Make sure all screws are tightened and secure.

Attaching the TV mount plate

1. Unplug your flat panel TV before starting this step of the installation.
IMPORTANT: NEVER lay the TV face down as this may cause damage to the viewing surface.
2. Before attaching the TV mount plate to the TV, determine which hardware to use. Examine the back of your TV. If the back is flat, use the M4x12mm bolts. If your TV has a recessed back, use the longer M4x30mm bolts and 1/2" spacers.
3. After you have determined which bolts to use, attach the TV mount plate to the back of your TV.
NOTE: Be careful not to over-tighten the bolts.

Attaching the TV mount plate to the wall mount plate

1. To complete the installation, slide the TV mount plate with your TV attached into the wall mount plate.
2. The retainer clip on the top of the wall mount plate should click, indicating that the mount is secure.
3. To remove the TV, push in on the clip and slide the TV mount plate up.
4. For additional security and stability, insert the security bolt into the hole located at the base of the unit.
5. Tighten, using the Allen Wrench provided.

Operation and adjustment

Your RCA Flat Panel TV Wall Mount features an adjustable 15-degree tilt and 180-degree pan and swivel action for easy viewing.

To adjust the tilt:

1. Locate the adjustment knob directly behind the TV mounting point.
2. Loosen the knob by turning it counter-clockwise.
3. Adjust the tilt to the desired level and re-tighten the knob to lock the adjustment in place.

To adjust the swivel:

1. Simply move the extension arm into the desired position.
2. If the joint is too tight or too loose, adjust the tightness of the joint.
3. Locate the knob closest to the wall.
4. Turn the knob counter-clockwise to loosen and clockwise to tighten.

Limited Lifetime Warranty

Audiovox Electronics Corporation (the "Company") warrants to you the original retail purchaser of this product that should it, under normal use and conditions, be proven defective in material or workmanship during its lifetime while you own it, such defect(s) will be repaired or replaced (at the Company's option) without charge for parts and repair labor.

To obtain repair or replacement within the terms of this Warranty, the product is to be delivered with proof of warranty coverage (e.g. dated bill of sale), specification of defect(s), transportation prepaid, to the Company at the address shown below. Do not return this product to the Retailer.

This Warranty does not cover product purchased, serviced or used outside the United States or Canada.

This Warranty is not transferable and does not extend to costs incurred for installation, removal or reinstallation of the product. This Warranty does not apply if in the Company's opinion, the product has been damaged through alteration, improper installation, mishandling, misuse, neglect, or accident.

THE EXTENT OF THE COMPANY'S LIABILITY UNDER THIS WARRANTY IS LIMITED TO THE REPAIR OR REPLACEMENT PROVIDED ABOVE AND, IN NO EVENT, SHALL THE COMPANY'S LIABILITY EXCEED THE PURCHASE PRICE PAID BY PURCHASER FOR THE PRODUCT.

This Warranty is in lieu of all other express warranties or liabilities. ANY IMPLIED WARRANTIES, INCLUDING ANY IMPLIED WARRANTY OF MERCHANTABILITY OR FITNESS FOR A PARTICULAR PURPOSE SHALL BE LIMITED TO DURATION OF THIS WARRANTY. IN NO CASE SHALL THE COMPANY BE LIABLE FOR ANY CONSEQUENTIAL OR INCIDENTAL DAMAGES WHATSOEVER. No person or representative is authorized to assume for the Company any liability other than expressed herein in connection with the sale of this product.

Some states/provinces do not allow limitations on how long an implied warranty lasts or the exclusion or limitation of incidental or consequential damage so the above limitations or exclusions may not apply to you. This Warranty gives you specific legal rights and you may also have other rights which vary from state/province to state/province.

U.S.A.: Audiovox Electronics Corporation, 150 Marcus Blvd.,
Hauppauge, New York 11788

CANADA: Audiovox Return Center, c/o Genco, 6685 Kennedy Road, Unit 3, Door
16, Mississauga, Ontario L5T 3A5

Trademark(s) Registered

All other brands and product names are trademarks or registered trademarks of their respective owners.

Free Manuals Download Website

<http://myh66.com>

<http://usermanuals.us>

<http://www.somanuals.com>

<http://www.4manuals.cc>

<http://www.manual-lib.com>

<http://www.404manual.com>

<http://www.luxmanual.com>

<http://aubethermostatmanual.com>

Golf course search by state

<http://golfingnear.com>

Email search by domain

<http://emailbydomain.com>

Auto manuals search

<http://auto.somanuals.com>

TV manuals search

<http://tv.somanuals.com>