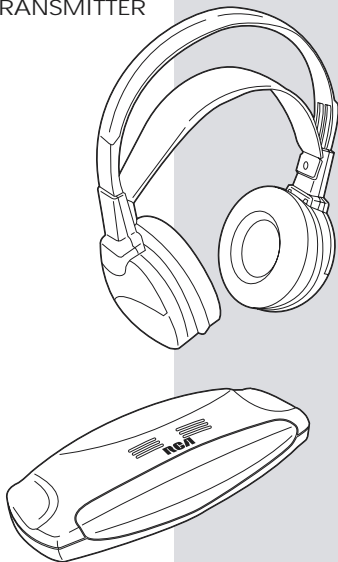


# RCA

## wireless HEADPHONES

STEREO INFRARED  
HEADPHONE  
WITH FLAT TRANSMITTER



Thank you for choosing RCA Wireless Headphones. You have selected a fine product designed to provide years of performance. Before attempting to use your Wireless Headphones, please remove all parts from the box and read the installation and use instructions carefully.

**Limited 1 Year Warranty** **WHR120RS**  
Download from [www.Somanuals.com](http://www.Somanuals.com). All Manuals Search And Download.

## INTRODUCTION

This infrared (IR) wireless headphone system transmits stereo sound signals throughout the room allowing you to enjoy music or sound privately from any audio or video device. With a range of up to 25 feet, you may have freedom from wires while listening to your TV, video or audio CD in the same room. Just connect the transmitter to any stereo receiver, TV, DBS, DVD, or CD device and enjoy clear stereo sound from across the room!

## FEATURES

- Transmits the stereo audio signal from your audio or video source to your IR headphone without wires
- Uses high-frequency IR signals to carry audio signal, ensuring clear, sharp reception
- Rechargeable batteries for powering the headphones

## THE FOLLOWING COMPONENTS ARE INCLUDED:

IR stereo transmitter  
IR stereo headphone  
AC/DC adapter  
6.3 mm stereo adapter  
Rechargeable batteries  
Instructions for use

## HEADSET SAFETY

- Do not play your headset at high volume.  
Hearing experts advise against continuous extended play.
- If you experience a ringing in your ears, reduce the volume or discontinue use.
- Make sure the volume level of the headphone is set at a comfortable listening level before placing it in position over

## EXPLANATION OF CONTROLS

### ON THE IR STEREO TRANSMITTER (see figure 1 below)

1. IR transmitting LEDs, to transmit the audio signal to the IR headphone
2. Power on/off switch
3. DC input connector, to power the IR transmitter
4. Recharge cable, to charge the batteries of IR headphone
5. Input stereo audio signal cable with 3.5 mm jack connector

(FRONT)

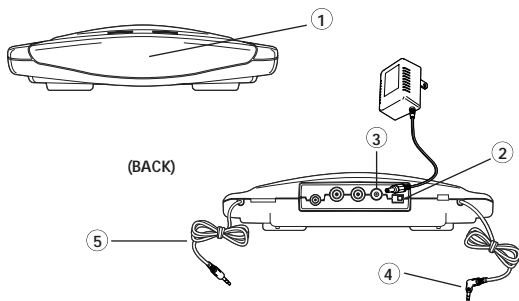


Figure 1

### ON THE STEREO HEADPHONE RECEIVER (see figure 2 below)

6. Power on/off LED indicator
7. Volume control
8. Power on/off switch
9. IR sensors, to receive IR signals from the transmitter
10. Recharge cable input socket to recharge the batteries of the IR headphone
11. Charge LED indicator

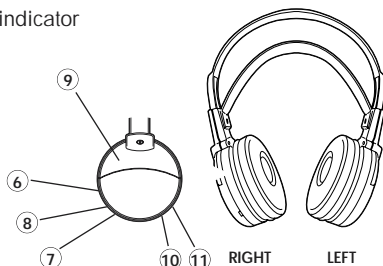
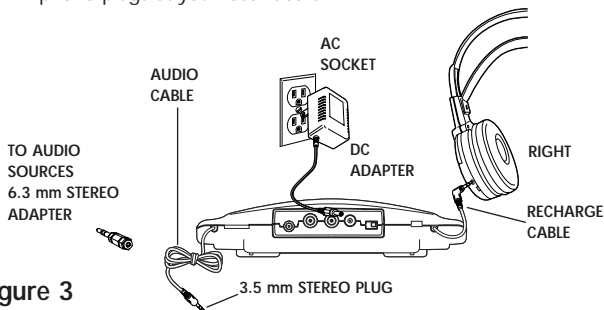


Figure 2

## INSTALLATION

1. Connect the audio signal cable located on the back of the transmitter to the headphone jack of your audio source. This headphone jack is located on the front panel of most TVs and stereo receivers. Insert the plug on the audio signal cable into the headphone jack. Use the plug adapter included in this package if the jack is the  $\frac{1}{4}$ " (6.3 mm) size. If you wish to connect directly to the "AUDIO OUT" jacks that are standard on most equipment, then you must purchase a separate adapter with the phono plugs at your local dealer.



**Figure 3**

2. Insert the connector of the AC/DC adapter into the 12V DC input connector on the rear of the IR transmitter (see figure 3 above).
3. Plug the adapter into a 120 Volt wall outlet.
4. Remove the soft earpads from the earcups by gently lifting them up. They have plastic tabs that hold them in place to the inside of the earcup. See figure 4 which illustrates the soft earpads separated from the earcup on the headset. Insert the two rechargeable batteries (AAA size) into the left and right battery compartments, ensuring that the polarity is correct (see figure 4). Replace the earpads by snapping them back in place on the earcups. The plastic tabs on the soft earpads must be matched correctly with the slots in the earcups.
5. Note: Before using the IR headphone for the first time, please ensure that batteries are fully charged (for 16 hours). This will guarantee a longer operating life for the batteries.

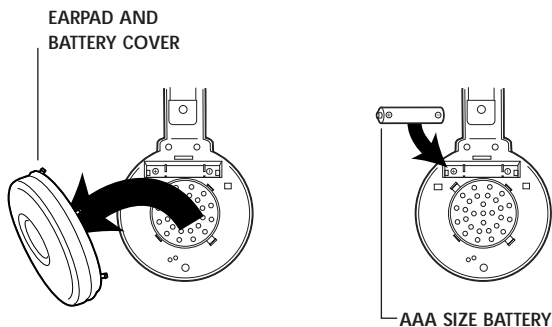


Figure 4

## OPERATION

1. Switch on the (IR) transmitter and position it in a location at approximately the same height as that of the headphone when it will be in use. This system operates using IR light signals that are invisible to the human eye. It is important for the performance of the unit to have the transmitter and headphone at about the same height for optimum reception. Placement on top of a TV or bookshelf at a height of approximately 4 feet should be sufficient.
2. Make certain that there are no obstructions that may block the IR signals that are emitted from the translucent plastic window on the front of the transmitter. The headphone must receive these signals clearly for best performance.
3. Slide the switch on the headphone to "ON".
4. Before placing the headphone over your ears, listen to the volume from the earcups to make certain that the volume is not too loud before placing the unit on your head (see page 2). Adjust the volume as needed with the volume control thumb wheel located on the "RIGHT" earcup. Once the volume level is at a comfortable setting, place the headphones over your ears and adjust the volume as desired.

## RECHARGING

1. Switch off the power of the headphone before charging.
2. Note: Before using the IR headphone for the first time, please ensure that the batteries are fully charged (for 16 hours). This will guarantee a longer operating life for the batteries.
3. Connect the recharge cable located on the back of the transmitter into the charge input of the headphone.
4. The charge indication Green LED on the headphone will light to indicate that the batteries are charging.
5. The batteries are fully charged after charging for at least 16 hours. Do not charge the batteries longer than 24 hours as this will reduce battery performance. After charging, disconnect the headphone from the recharge cable.

## POSITIONING OF IR TRANSMITTER

1. Place the transmitter unit so that the front of the IR transmitter approximately faces the center of your listening area (see figure 5 on page 7).
2. Because IR light travels in a straight line, place the transmitter at the same height, or slightly higher than the reception height, of the headphone.
3. High IR light content such as sunlight and bright indoor lighting may degrade the audio signal and cause interference. If you experience such problems, simply move the system to a darker area away from the source of the bright light.

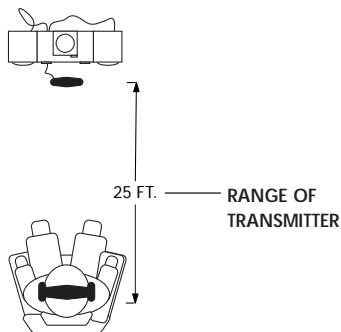
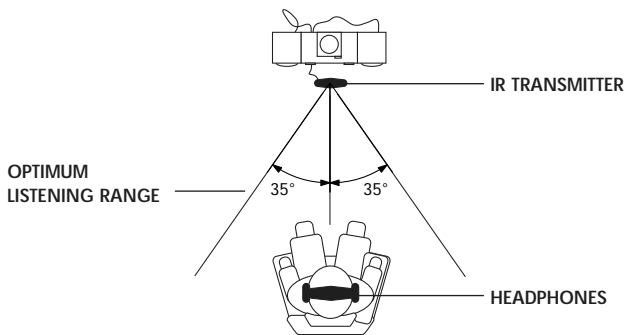


Figure 5

## SPECIFICATIONS

System	:	Infrared (IR)
Carrier frequency	:	Left channel 2.3 MHz Right channel 2.8 MHz
Modulation	:	FM
Power supply transmitter	:	200mA, 12V DC
Power supply headphone	:	2 X AAA rechargeable batteries
Frequency response	:	40 - 12,000 Hz
S/N ratio	:	50 dB
Distortion	:	1% THD
Channel separation	:	40 dB

## LIMITED 1 YEAR WARRANTY

Thomson multimedia Inc. warrants that for 1 year from date of purchase, it will replace this product if found to be defective in materials or workmanship. Return it postage prepaid to the Product Exchange Center address for prompt, no charge replacement with a current equivalent. This replacement is Thomson multimedia Inc.'s sole obligation under this warranty. Thomson multimedia Inc. will not be responsible for any incidental or consequential damages, or for any loss arising in connection with the use or inability to use this product. Some states do not allow the exclusion or limitation of incidental or consequential damages, so the above limitation or exclusion may not apply to you. This warranty excludes defects or damage due to misuse, abuse, or neglect. This warranty gives you specific legal rights, and you may also have other rights, which vary from state to state.

© 2001 Thomson multimedia Inc.  
Product Exchange Center  
11721 Alameda Ave.  
Socorro, TX 79927  
PWHR120RSI/B Rev0501  
Trademark(s) ® Registered  
Marca(s) Registrada(s)  
Made In China

[www.rca.com](http://www.rca.com)



## Free Manuals Download Website

<http://myh66.com>

<http://usermanuals.us>

<http://www.somanuals.com>

<http://www.4manuals.cc>

<http://www.manual-lib.com>

<http://www.404manual.com>

<http://www.luxmanual.com>

<http://aubethermostatmanual.com>

Golf course search by state

<http://golfingnear.com>

Email search by domain

<http://emailbydomain.com>

Auto manuals search

<http://auto.somanuals.com>

TV manuals search

<http://tv.somanuals.com>