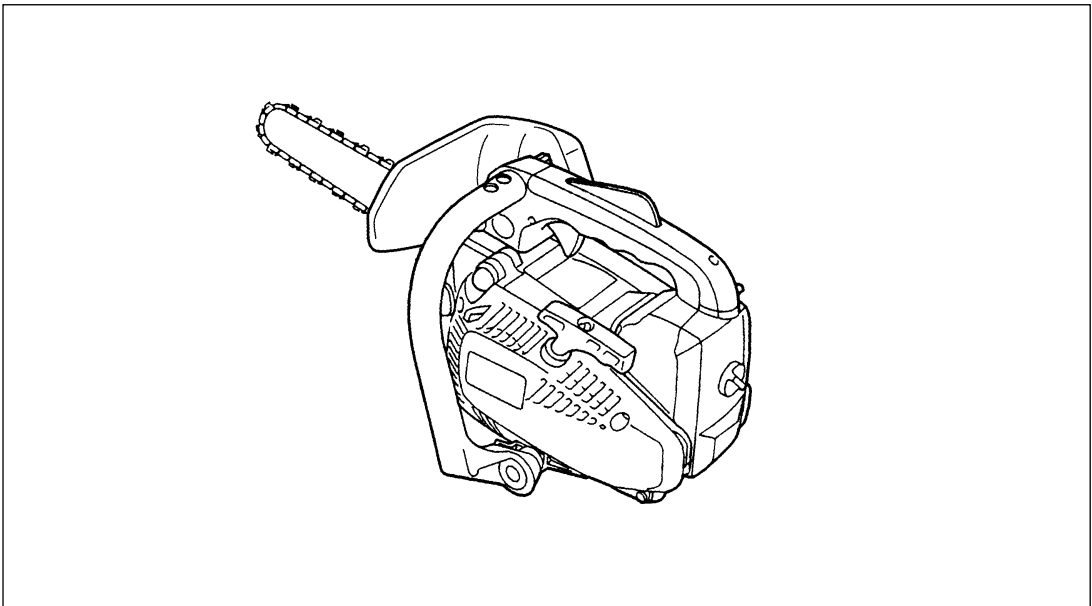




OWNER/OPERATOR MANUAL

CHAINSAWS

G2500TS



WARNING



The engine exhaust from this product contains chemicals known to the State of California to cause cancer, birth defects or other reproductive harm.



WARNING




Before using our products, please read this manual carefully to understand the proper use of your unit.

APPLICABLE SERIAL NUMBERS :

010101 and up



SAFETY FIRST

Instructions contained in warnings within this manual marked with a  symbol concern critical points which must be taken into consideration to prevent possible serious bodily injury, and for this reason you are requested to read all such instructions carefully and follow them without fail.

■ **WARNINGS IN THE MANUAL**



This mark indicates instructions which must be followed in order to prevent accidents which could lead to serious bodily injury or death.



This mark indicates instructions which must be followed, or it leads to mechanical failure, breakdown, or damage.

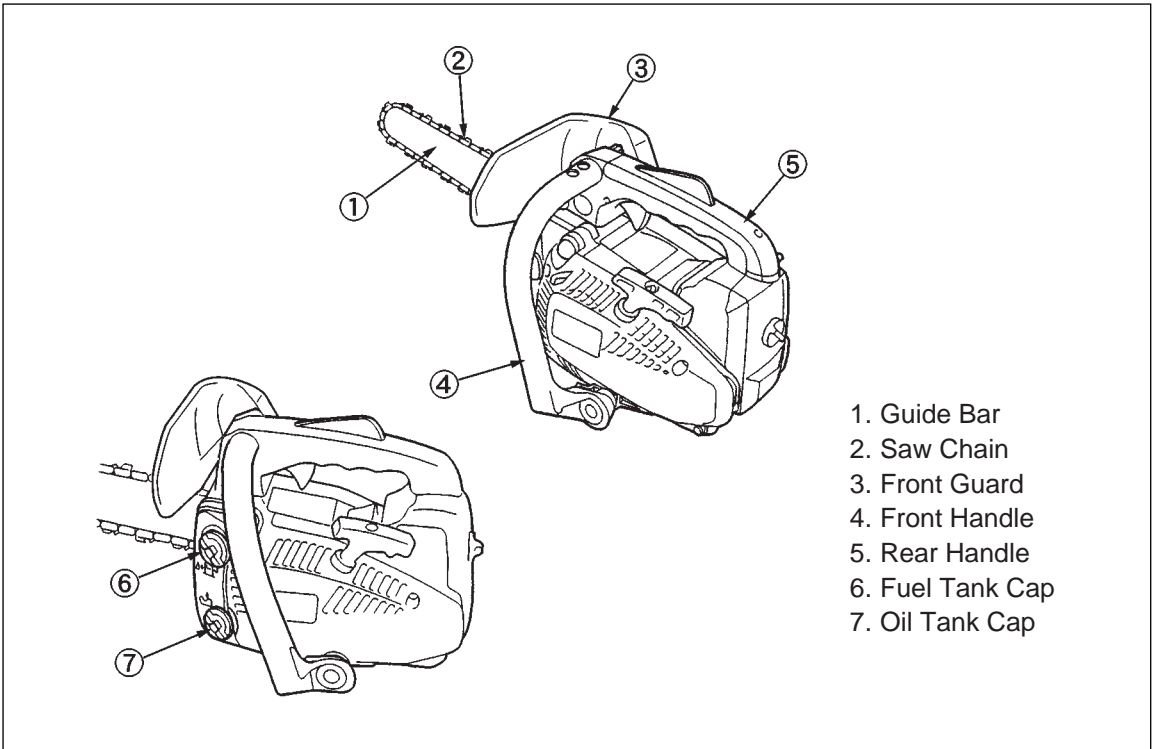


This mark indicates hints or directions useful in the use of the product.

CONTENTS

1. Parts location	4
2. Specifications	4
3. Symbols on the machine	5
4. For safe operation	6
5. Installing guide bar and saw chain	8
6. Fuel and chain oil	10
7. Operation	12
8. Sawing	16
9. Maintenance	19
10. Storage	25
11. Troubleshooting guide	26
12. Parts list	27

1. Parts location



1. Guide Bar
2. Saw Chain
3. Front Guard
4. Front Handle
5. Rear Handle
6. Fuel Tank Cap
7. Oil Tank Cap

2. Specifications

■ G2500TS

Power unit :

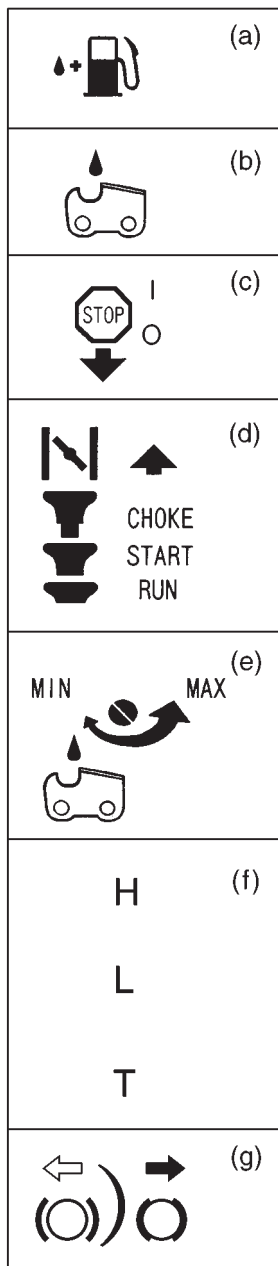
Dis placement	1.6(25.4) cu-in(cm ³)
Fuel	Mixture(Gasoline 32 : 2-cycle oil 1)
Fuel tank capacity	7.78(0.23) fl.oz(ℓ)
Chain oil	Motor oil SAE #10W-30
Oil tank capacity	5.42(0.16) fl.oz(ℓ)
Carburetor	Diaphragm type
Ignition system	Solid-state
Spark plug	Champion RCJ-7Y
Oil feeding system	Mechanical plunger pump
Sprocket : Pitch – No. of teeth	3/8in(9.38mm) – 6T
Dimensions : L – W – H	10.4(260)x8.8(220)x8.8(220) in(mm)
Dry weight	6.4(2.85) lbs(kg)

Cutting attachment :

Guide bar : Type – Size	Sprocket nose – 12(30) in(cm)
Saw chain : Type – Pitch – Gauge	Oregon 91VG – 3/8(9.375) – 0.050(1.25) in(mm)

Specifications are subject to change without notice.

3. Symbols on the machine



For safe operation and maintenance, symbols are carved in relief on the machine. According to these indications, please be careful not to make a mistake.

- (a). The port to refuel the "MIX GASOLINE"
Position: Upper-front at the left side of the power unit (near the fuel cap)
- (b). The port to refuel the chain oil
Position: Lower-front at the left side of the power unit (near the oil cap)
- (c). Flipping the switch to the "O" position, immediately the engine stops.
Position: Front at the top of the rear handle (near the switch)
- (d). Starting the engine, if you pull out the choke knob (at the back-right of the rear handle) to the point of the arrow, you can set the starting mode as follows
- First-stage position – starting mode when the engine is warm.
 - Second-stage position – starting mode when the engine is cool.
- Position:** Upper-right of the chain cover
- (e). If you turn the rod by screwdriver follow the arrow to the "MAX" position, the chain oil flow more, and if you turn to the "MIN" position, less.
Position: Bottom of the power unit
- (f). The screw under the "H" stamp is The High-speed adjustment screw.
 The screw under the "L" stamp is The Slow-speed adjustment screw.
 The screw at the left of the "T" stamp is the Idle adjustment screw.
Position: Left side of the rear handle
- (g). It shows the directions that the chain brake is released (for the white arrow) and activated (for the black arrow).
Position: Front of the chain cover

IMPORTANT ENGINE INFORMATION
 THIS ENGINE CONFORMS TO US EPA PH1 FOR SMALL OFF-ROAD ENGINES.
ENGINE FAMILY : YKZXS.0254DE:EM
ENGINE DISPLACEMENT : 25.4cc
 REFER TO OWNER'S MANUAL FOR MAINTENANCE SPECIFICATIONS AND ADJUSTMENTS.
 MANUFACTURED :

ZENOAH KOMATSU **KOMATSU ZENOAH CO.**
RedMax Made in Japan

INFORMATION IMPORTANTE CONCERNANT LE MOTEUR
 Ce moteur conformc aux normcs U.S. EPA PH1 pour les petits moteurs tout-terrain.
Type de moteur : YKZXS.0254DE:EM
Cylindrée du moteur : 25.4cc
 Se référer au Manuel de l'utilisateur pour les spécifications d'entretien et les réglages.
 Manufacturé :

ZENOAH KOMATSU **KOMATSU ZENOAH CO.**
RedMax Made in Japan



4. For safe operation

1. Never operate a chain saw when you are fatigued, ill, or upset, or under the influence of medication that may make you drowsy, or if you are under the influence of alcohol or drugs.
2. Use safety footwear, snug fitting clothing and eye, hearing and head protection devices.
3. Always use caution when handling fuel. Wipe up all spills and then move the chain saw at least ten(10)feet (three(3) m) from the fueling point before starting the engine.
 - 3a) Eliminate all sources of sparks or flame (ie. smoking, open flames, or work that can cause sparks) in the areas where fuel is mixed, poured, or stored.
 - 3b) Do not smoke while handling fuel or while operating the chain saw.
4. Do not allow other persons to be near the chain saw when starting the engine or cutting a wood. Keep bystanders and animals out of the work area. Children, pets, and bystanders should be a minimum of 30feet (10m) away when you start or operate the chain saw.
5. Never start cutting until you have a clear work area, secure footing, and planned retreat path from the falling tree.
6. Always hold the chain saw firmly with both hands when the engine is running. Use a firm grip with thumb and fingers encircling the chain saw handles.
7. Keep all parts of your body away from the saw chain when the engine is running.
8. Before you start the engine, make sure the saw chain is not contacting anything.
9. Always carry the chain saw with the engine stopped, the guide bar and saw chain to the rear, and the muffler away from your body.
10. Always inspect the chain saw before each use for worn, loose, or changed parts. Never operate a chain saw that is damaged, improperly adjusted, or is not completely and securely assembled. Be sure that the saw chain stops moving when the throttle control trigger is released.
11. All chain saw service, other than the items listed in the Operator's Manual, should be performed by competent chain saw service personnel. (e.g., if improper tools are used to remove the flywheel, or if an improper tool is used to hold the flywheel in order to remove the clutch, structural damage to the flywheel could occur which could subsequently cause the flywheel to disintegrate).
12. Always shut off the engine before setting it down.
13. Use extreme caution when cutting small size brush and saplings because slender material may catch the saw chain and be whipped toward you or pull you off balance.
14. When cutting a limb that is under tension, be alert for spring back so that you will not be struck when the tension in the wood fibers is released.
15. Keep the handles dry, clean and free of oil or fuel mixture.



4. For safe operation

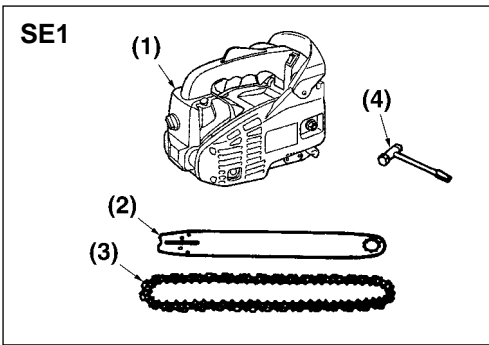
16. Operate the chain saw only in well ventilated areas. Never start or run the engine inside a closed room or building. Exhaust fumes contain dangerous carbon monoxide.
17. Do not operate a chain saw in a tree unless specially trained to do so.
18. Guard against kickback. Kickback is the upward motion of the guide bar which occurs when the saw chain at the nose of the guide bar contacts an object. Kickback can lead to dangerous loss of control of the chain saw.
19. When transporting your chain saw, make sure the appropriate guide bar scabbard is in place.
20. This chain saw is equipped with a spark arrester built-in muffler. Periodically check the arrester to keep it in good order.

KICKBACK SAFETY PRECAUTIONS FOR CHAIN SAW USERS

– WARNING –

- Kickback may occur when the nose or tip of the guide bar touches an object, or when the wood closes in and pinches the saw chain in the cut. Tip contact in some cases may cause a lightning fast reverse reaction, kicking the guide bar up and back towards the operator. Pinching the saw chain along the top of the guide bar may push the guide bar rapidly back towards the operator. Either of these reactions may cause you to lose control of the saw which could result in serious personal injury.
- Do not rely exclusively on the safety devices built into your saw. As a chain saw user you should take several steps to keep cutting jobs free from accident or injury.
 - (1) With a basic understanding of kickback you can reduce or eliminate the element of surprise. Sudden surprise contributes to accidents.
 - (2) Keep a good grip on the saw with both hands, the right hand on the rear handle, and the left hand on the front handle, when the engine is running. Use a firm grip with thumbs and fingers encircling the chain saw handles. A firm grip will help you reduce kickback and maintain control of the saw. Don't let go.
 - (3) Make certain that the area in which you're cutting is free from obstructions. Do not let the nose of the guide bar contact a log, branch, or any other obstruction which could be hit while you are operating the saw.
 - (4) Cut at high engine speeds.
 - (5) Do not overreach or cut above shoulder height.
 - (6) Follow manufacturers sharpening and maintenance instructions for saw chain.
 - (7) Only use replacement bars and chains specified by the manufacturer or the equivalent.

5. Installing guide bar and saw chain



A standard saw unit package contains the items as shown below. (SE1)

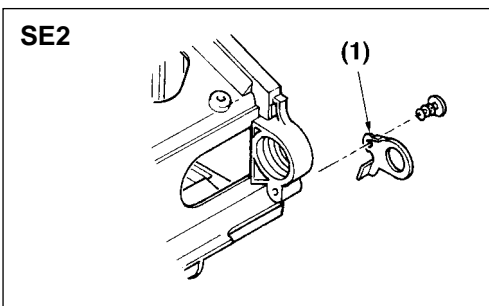
- (1) Power unit
- (2) Guide bar
- (3) Saw chain
- (4) Plug wrench

Open the box and install the guide bar and the saw chain on the power unit as follows.

⚠ WARNING

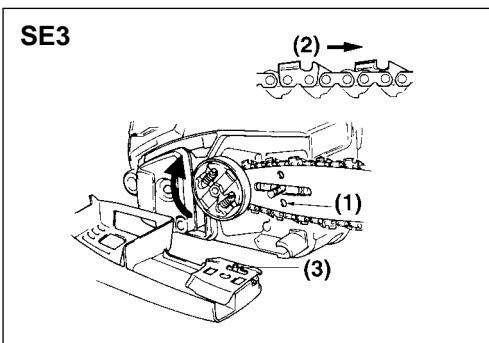
The saw chain has very sharp edges. Use protective gloves for safety.

1. Pull the guard towards the front handle to check that the chain brake is not on.
2. Loosen a nut and remove the chain cover.
3. Fix the hanger on the rear of power unit by screw. (SE2)



(1) Hanger

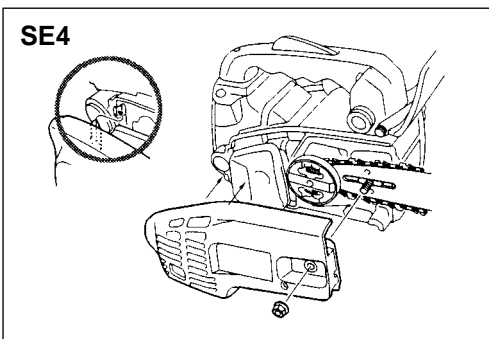
4. Mount the guide bar then fit the saw chain around the bar and sprocket.(SE3)



⚠ WARNING

Pay attention to the correct direction of the saw chain

5. Fit the chain tensioner nut into the lower hole of the guide bar, then install the chain cover, and fasten the mounting nut to finger tightness. (SE3)(SE4)

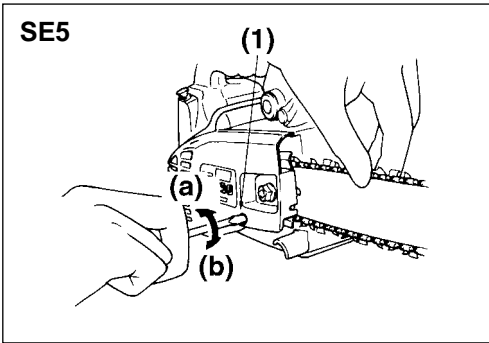


- (1) Hole
- (2) Moving direction
- (3) Chain tensioner nut

⚠ WARNING

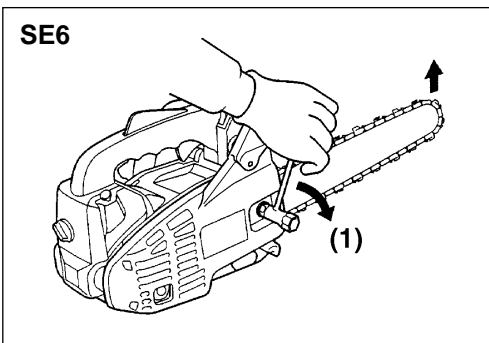
When installing the chain cover, be sure to fit the hook completely at the rear end of the cover.

5. Installing guide bar and saw chain



6. While holding up the tip of the bar, adjust the chain tension by turning the tensioner screw until the tie straps just touch the bottom side of the bar rail. (SE5)

- (1) Chain tension adjusting screw
- (a) Loosen
- (b) Tighten



7. Tighten the mounting nut securely with the bar tip held up (TORQUE: 11.8~14.7 N.m./120~150 kg-cm). Then check the chain for smooth rotation and correct tension while moving it by hand. If necessary, readjustment. (SE6)

- (1) Tighten

⚠ WARNING

It is very important to maintain the proper chain tension. Rapid wear of the guide bar or the chain coming off easily can be caused by improper tension. Especially when using a new chain, take good care of it since it should expand when first used.

6. Fuel and chain oil

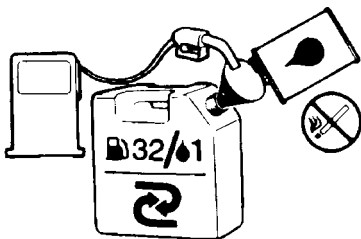
■ FUEL

The RedMax engines are lubricated by oil specially formulated for air-cooled 2-cycle gasoline engine use. If RedMax oil is not available, use an anti-oxidant added quality oil expressly labeled for air-cooled 2-cycle engine use.

RECOMMENDED MIXING RATIO GASOLINE 32 : OIL 1

Exhaust emission are controlled by the fundamental engine parameters and components (eq., carburation, ignition timing and port timing) without addition of any major hardware or the introduction of an inert material during combustion.

These engines are certified to operate on unleaded gasoline.



▲ WARNING

The fuel is highly flammable. Do not smoke or bring any flame or sparks near fuel.

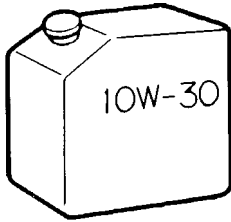
■ HOW TO MIX FUEL

1. Measure out the quantities of gasoline and oil to be mixed.
2. Put some of the gasoline into a clean, approved fuel container.
3. Pour in all of the oil and agitate well.
4. Pour in the rest of gasoline and agitate again for at least one minute.
5. Put a clear indication on the outside of the container to avoid mixing up with gasoline or other containers.

FOR YOUR ENGINE LIFE, AVOID;

1. FUEL WITH NO OIL(RAW GASOLINE) – It will cause severe damage to the engine inner parts very quickly.
2. GASOHOL – It can cause deterioration of rubber and/or plastic parts and disruption of engine lubrication.
3. OIL FOR 4-CYCLE ENGINE USE or WATER COOLED 2-CYCLE ENGINE USE – It can cause spark plug fouling, exhaust port blocking, or piston ring sticking.

6. Fuel and Chain oil



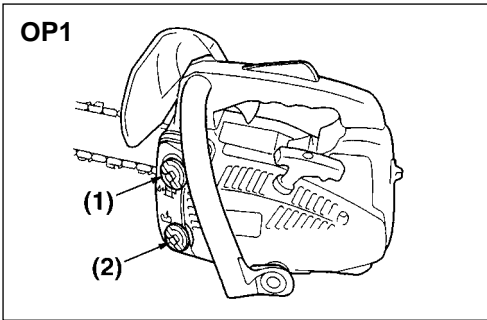
■ CHAIN OIL

Use motor oil SAE 10W-30 all year round, or SAE 30-40 in summer and SAE 20 in winter.



Do not use waste or regenerated oil that can cause damage to the oil pump.

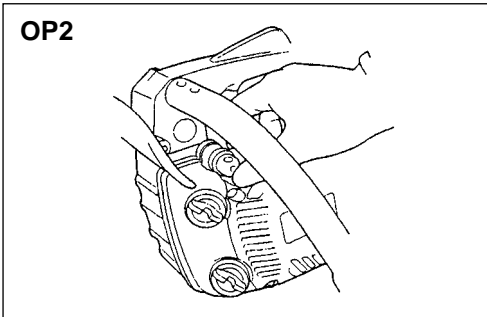
7. Operation



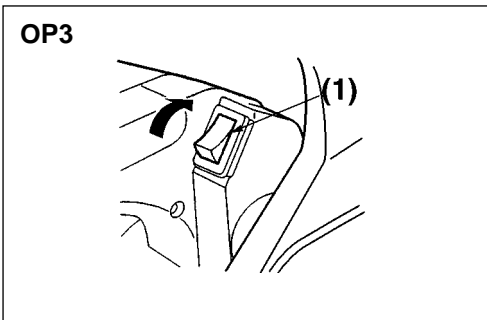
■ STARTING ENGINE

1. Feed fuel and chain oil into their respective tanks and tighten the caps securely. (OP1)

- (1) Fuel
- (2) Chain oil

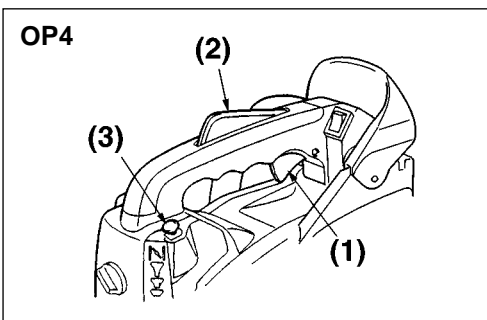


2. Continuously push the priming bulb until fuel comes in the bulb. (OP2)



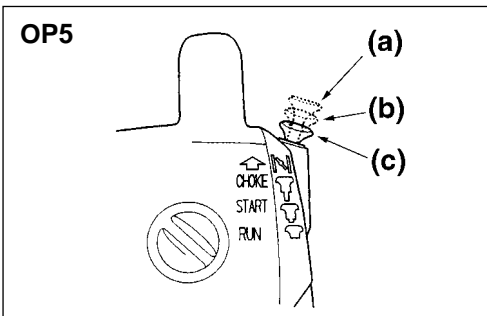
3. Put the switch to the "I" position. (OP3)

- (1) Switch



4. Pull out the choke knob to the second-stage position. The choke will close and the throttle lever will then be set in the starting position. (OP4,5)

- (1) Throttle lever
- (2) Throttle interlock
- (3) Choke knob
- (a) when the engine is cool
- (b) when the engine is warm up
- (c) after the engine starts



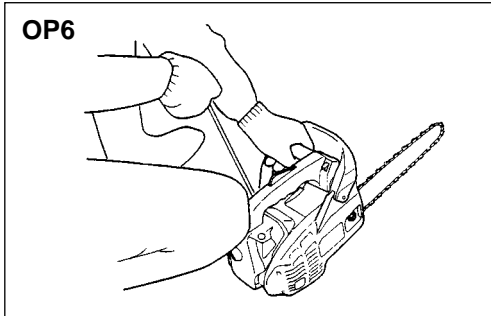
NOTE

When restarting immediately after stopping the engine. Choke knob in the first-stage position (choke open and throttle lever in the starting position)

7. Operation

NOTE

Once the choke knob has been pulled out, it will not return to the operating position even if you press down on it with your finger. When you wish to return the choke knob to the operating position, pull out the throttle lever instead.



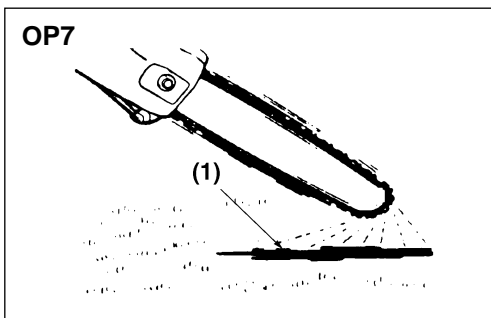
5. While holding the saw unit securely on the ground, pull the starter rope vigorously. (OP6)
6. When firing occurs, push in the choke knob and pull the starter again to start the engine.
7. Allow the engine to warm up with the throttle lever pulled slightly.

WARNING

Before you start the engine, make sure the saw chain is not contacting anything.

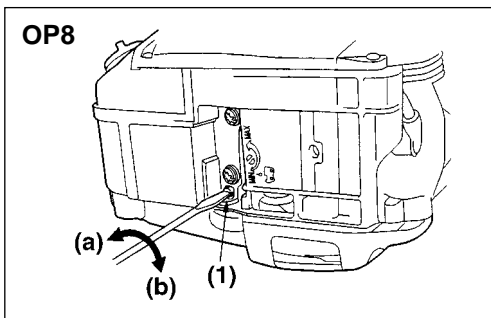
■ CHECKING OIL SUPPLY

After starting the engine, run the chain at medium speed and see if chain oil is scattered off as shown in the figure. (OP7)



(1) Chain oil

The chain oil flow can be changed by inserting a screwdriver in the hole on bottom of the clutch side. Adjust according to your work conditions. (OP8)



(1) Chain oil flow adjusting shaft

- (a) Rich
- (b) Lean

NOTE

The oil tank should become nearly empty by the time fuel is used up. Be sure to refill the oil tank every time when refueling the saw.

7. Operation

■ ADJUSTING CARBURETOR (OP9)

The carburetor on your unit has been factory adjusted, but may require fine tuning due to change in operating conditions.

Before adjusting the carburetor, make sure that provided are clean air/fuel filters and fresh, properly mixed fuel.

When adjusting, take the following steps:

NOTE

Be sure to adjust the carburetor with the bar chain attached.

1. H and L needles are restricted within the number of turn as shown below.

H needle -1/4

L needle -1/4

2. Start engine and allow it to warm up in low speed for a few minutes.
3. Turn idle adjusting screw (T) counter-clockwise so that saw chain does not turn. If idling speed is too slow, turn the screw clockwise.
4. Make a test cut adjust the H needle for best cutting power, not for maximum speed.

(1) L needle

(2) H needle

(3) Idle adjusting screw

■ CHAIN BRAKE (OP10)

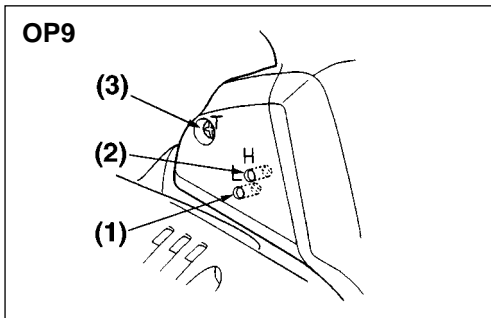
The chain brake is a device which stops the chain instantaneously if the chain saw recoils due to kickback.

Normally, the brake is activated automatically by inertial force. It can also be activated manually by pushing the brake lever (left-hand guard) down toward the front.

When the brake operates, a yellow cone pops up from the base of the brake lever.

Releasing the Brake

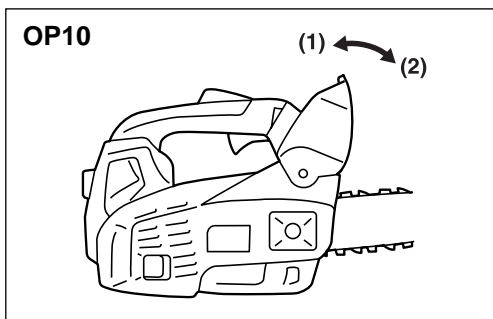
Pull the brake lever up toward the left-hand handle until it clicks into place.



7. Operation

⚠ WARNING

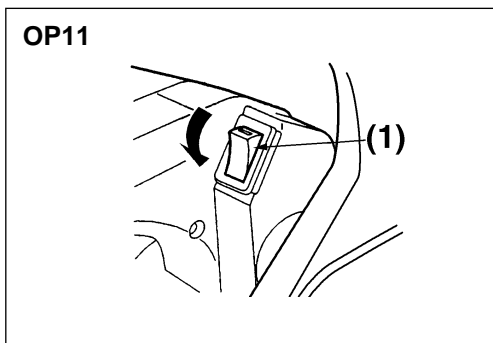
- When the brake operates, release the throttle lever to slow down the engine speed. Continuous operation with the brake engaged will generate heat from the clutch and may cause trouble.
- At machine inspection prior to each job, check the operating condition of the brake following the steps below.



1. Start the engine and grasp the handle securely with both hands.
2. Pulling the throttle lever to maintain the chain operation, push the brake lever (left-hand guard) down toward the front using the back of your left hand.
3. When the brake operates and the chain is stopped, release the throttle lever.
4. Release the brake.

(1) Releases the brake.

(2) Activates the brake.



■ STOPPING ENGINE

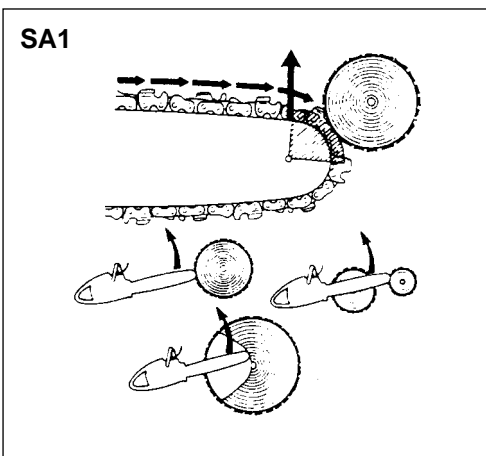
1. Release the throttle lever to allow the engine idling for a few minutes
2. Put the switch to the "O" position. (OP11)

(1) Switch

8. Sawing

⚠ WARNING

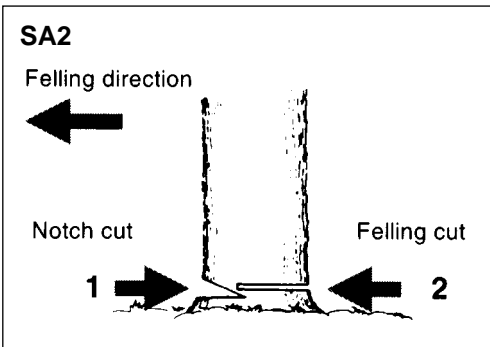
- Before proceeding to your job, read "For Safe Operation" section It is recommended to first practice sawing easy logs. This also helps you get accustomed to your unit.
- Always follow the safety regulations. The chain saw must only be used for cutting wood. It is forbidden to cut other types of material. Vibrations and kickback vary with different materials and the requirements of the safety regulations would not be respected. Do not use the chain saw as a lever for lifting, moving or splitting objects. Do not lock it over fixed stands. It is forbidden to hitch tools or applications to the P.t.o. that are not specified by the manufacturer.
- It is not necessary to force the saw into the cut. Apply only light pressure while running the engine at full throttle.
- When the saw chain is caught in the cut, do not attempt to pull it out by force, but use a wedge or a lever to open the way.



■ Guard against kickback (SA1)

- This saw is equipped with a chain brake that will stop the chain in the event of kickback if operating properly. You must check the chain brake operation before each usage by running the saw at full the throttle for 1 -2 seconds and pushing the front hand guard forward. The chain should stop immediately with the engine at full speed. If the chain is slow to stop or does not stop, replace the brake band and clutch drum before use.
- It is extremely important that the chain brake be checked for proper operation before each use and that the chain be sharp in order to maintain the kickback safety level of this saw. Removal of the safety devices, inadequate maintenance, or incorrect replacement of the bar or chain may increase the risk or serious personal injury due to kickback.

8. Sawing



■ FELLING A TREE (SA2)

⚠ WARNING

When you fell a tree, be sure to warn your neighboring workers of the danger.

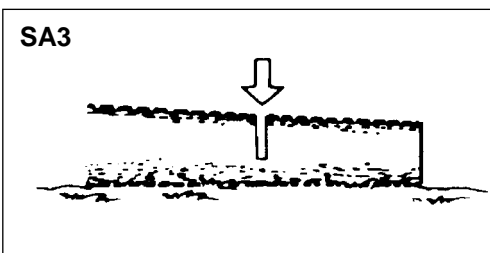
1. Decide the felling direction considering the wind, lean of the tree, location of heavy branches, ease of job after felling, and other factors .
2. While clearing the area around the tree, arrange a good foothold and retreat path.
3. Make a notch cut one-third of the way into the tree on the felling side.
4. Make a felling cut from the opposite side of the notch and at a level slightly higher than the bottom of the notch.

■ LOGGING AND LIMBING

⚠ WARNING

1. Always ensure your foothold as well as stability of the tree.
2. Be alert to the rolling over of a cut log.
3. Read the instructions in “For safe operation” to avoid kickback of the saw.

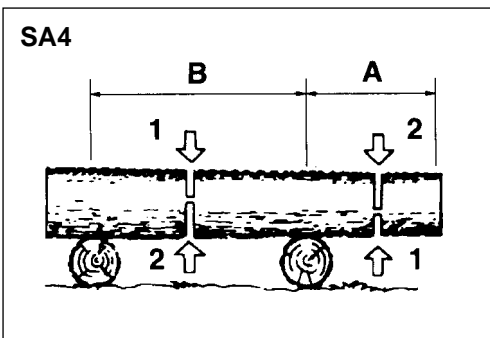
Before starting work, check the direction of bending force inside the log to be cut. Always finish cutting from the opposite side of bending direction to prevent the guide bar from being caught in the cutaway.



● Cutting an unpillowed log

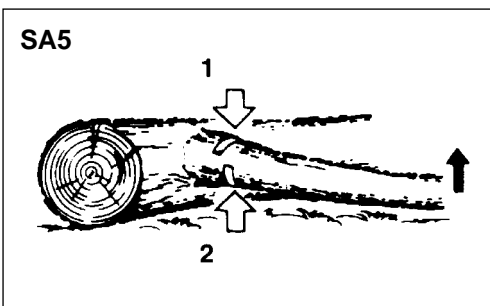
Saw down halfway, then roll the log over and cut from the opposite side. (SA3)

8. Sawing



● Cutting a pillowed log

In the area A in the picture right above, saw up from the bottom one-third and finish by sawing down from the top. In the area B, saw down from the top one-third and finish by sawing up from the bottom. (SA4)

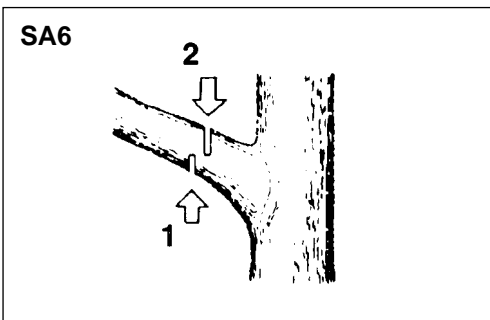


● Limbing a felled tree



Be alert to the spring back of a cut limb.

First check which way the limb is bent. Then make a shallow cut into the compressed side to prevent the limb from being torn. Cut through from the tensed side. (SA5)



● Pruning



1. Do not use an unstable foothold or a stepladder.
2. Do not overreach.
3. Do not cut above shoulder height.
4. Always use both hands to grip the saw.

Cut up from the bottom, finish down from the top. (SA6)

9. Maintenance

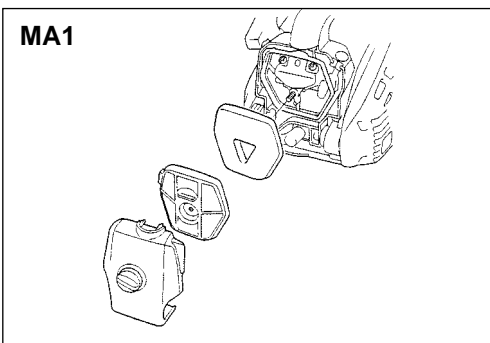
⚠ WARNING

Make sure the engine is stopped .

■ DAILY CHECK POINTS

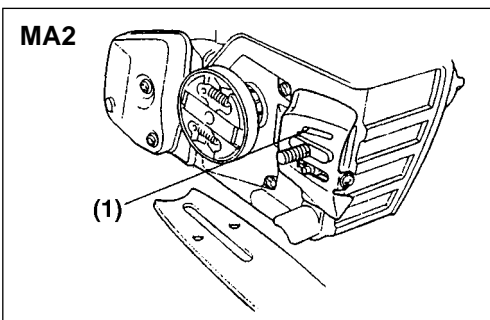
1. Air filter

Loosen the knob and remove the air cleaner cover. Take off the filter elements and tap off attached sawdust. When they are extremely dirty, shakewash with gasoline. Dry them completely before reinstalling. (MA1)



2. Oiling port

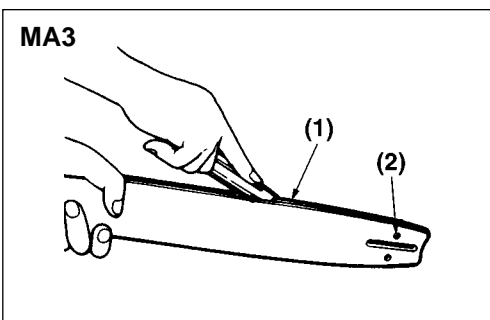
Dismount the guide bar and check the oiling port for clogging. (MA2)



(1) Oiling port

3. Guide bar

Remove sawdust in the bar groove and the oiling port. (MA3)

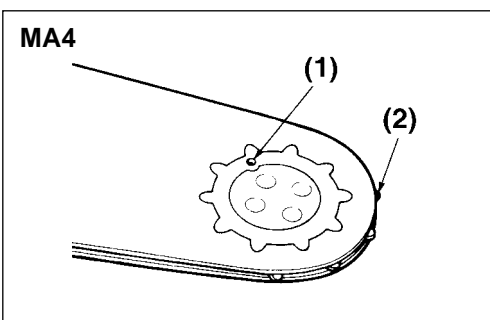


(1) Groove

(2) Oiling port

(Type: Sprocket nose)

Grease the nose sprocket from the feeding port on the tip of the bar. (MA4)



(1) Grease port

(2) Sprocket

4. Others

Check for fuel leakage and loose fastenings or damage to major parts, especially handle joints and guide bar mounting. If any defects are found, make sure to have them repaired before operating again

9. Maintenance

⚠ WARNING

This saw is equipped with one of the following low kickback bar/chain combinations:

RedMax Part Number		
Bar Size	Guide Bar	Saw Chain
12inch (30cm)	G2512	91VG45X

For replacement, use only above bar and chain, or the following;

OREGON BAR

12 inch S/N DOUBLE GUARD BAR,
Mount code #A041. (120 SDEA 041)

GB BAR

12 inch MINI LAMINATED BAR (PO12-50CR)

OREGON CHAIN

91VG

■ PERIODICAL CHECK POINTS

1. Cylinder fins

1. Remove the starter case.
2. Remove sawdust between the cylinder fins. (MA5)

(1) Cylinder fin

2. Fuel filter

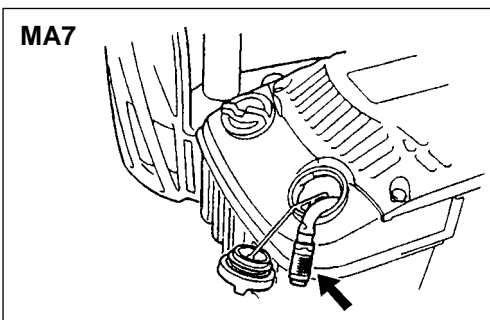
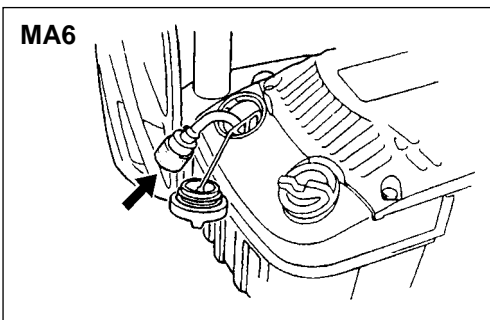
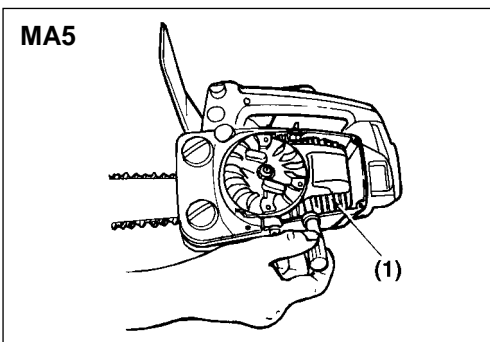
1. Using a wire hook, take out the fuel filter from the feeding port. (MA6)
2. Wash the filter with gasoline.
Replace with new one if clogged with dirt completely.

⚠ WARNING

When returning the filter, use a pinch not to be folded the suction pipe.

3. Oil filter

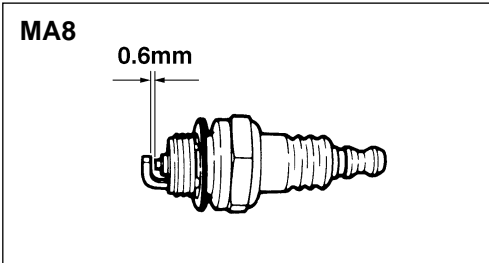
1. With a wire hook, take out the oil filter from the feeding port. (MA7)
2. Wash the filter with gasoline.



9. Maintenance

⚠ WARNING

When returning the filter, use a pinch not to be folded the suction pipe.



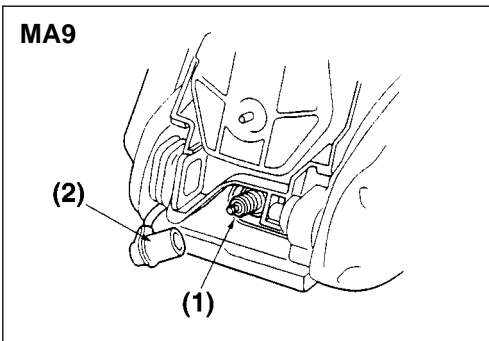
4. Spark plug

Clean the electrodes with a wire brush and adjust the gap to 0.6mm. (MA8)

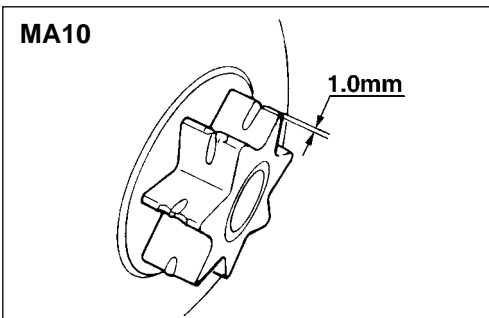
Replacement plug:
Champion RCJ-7Y

⚠ WARNING

After spark plug maintenance, reinstall the plug and plug cap firmly. (TORQUE: 14.7~17.6 N.m./150~180 kg-cm) Or it may cause the fire accident. (MA9)

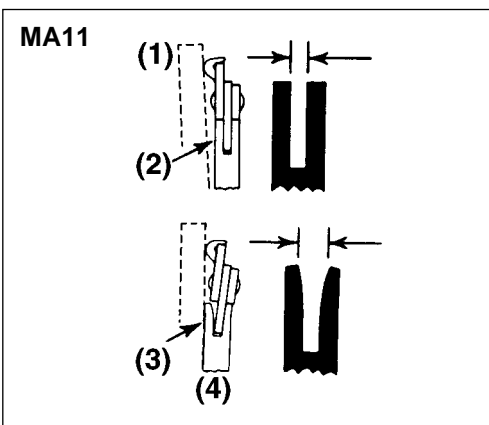


- (1) Plug
- (2) Plug cap



5. Sprocket

Check for extensive wear, and replace it when the teeth are worn over 1.0mm. (MA10)



6. Guide bar

The bar rail should always be a square. Check for wear of the bar rail. Apply a ruler to the bar and the outside of a cutter. If a gap is observed between them, the rail is normal. Otherwise, the bar rail is worn. Such a bar needs to be corrected or replaced.(MA11)

- (1) Ruler
- (2) Gap
- (3) No gap
- (4) Chain tilts

9. Maintenance

7. Saw Chain

⚠ WARNING

It is very important for smooth and safe operation to keep the cutters always sharp.

Your cutters need to be sharpened when:

- Sawdust becomes powder-like.
- You need extra force to saw in.
- The cut way does not go straight.
- Vibration increases.
- Fuel consumption increases.

Cutter setting standards:

⚠ WARNING

Be sure to wear safety gloves.

Before filing:

- Make sure the saw chain is held securely.
- Make sure the engine is stopped.
- Use a round file of proper size for your chain.

Chain type: 91VG
File size: 5/32 in (4.0mm)

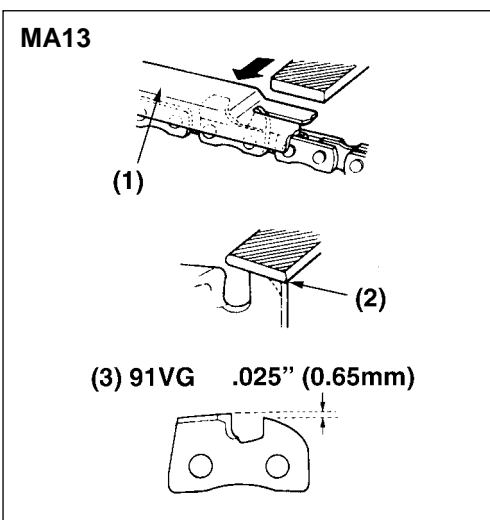
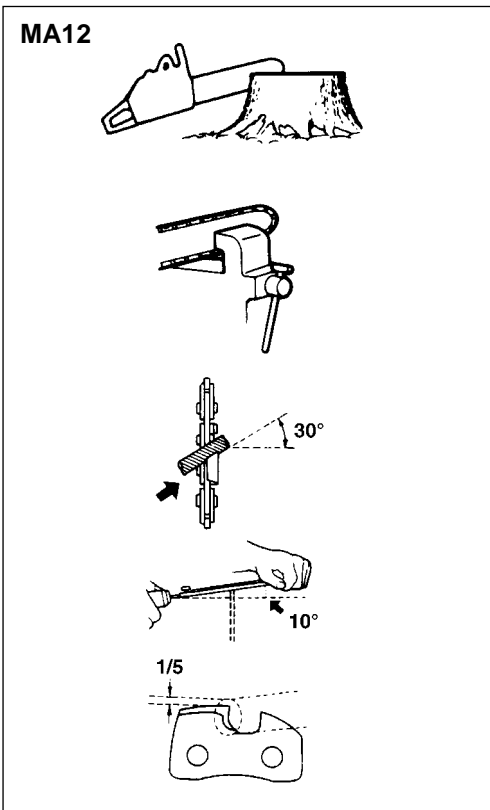
Place your file on the cutter and push straight forward. Keep the file position as illustrated. (MA12)

After every cutter has been set, check the depth gauge and file it to the proper level as illustrated. (MA13)

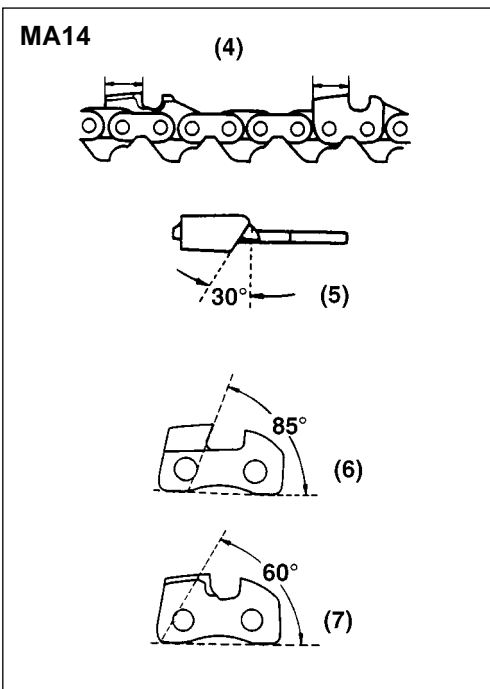
⚠ WARNING

Be sure to round off the front edge to reduce the chance of kickback or tie-strap breakage.

- (1) Appropriate gauge checker
- (2) Make the shoulder round
- (3) Depth gauge standard



9. Maintenance



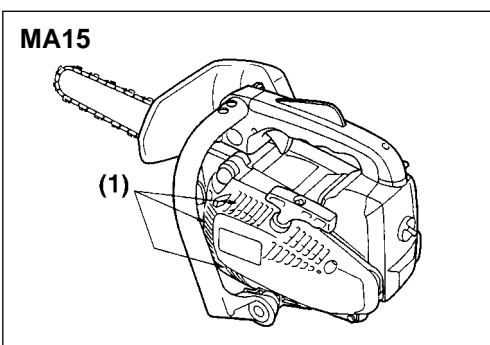
Make sure every cutter has the same length and edge angles as illustrated. (MA14)

- (4) Cutter length
- (5) Filing angle
- (6) Side plate angle
- (7) Top plate cutting angle

8. Way of the cooling air

⚠ WARNING

- The engine metal parts can burn your skin. Never touch the cylinder, muffler or ignition plug etc. during operation or right after stopping the engine.
- Before starting the engine, check around the muffler and take off sawdust. If you do not, it will cause the overheating and a fire. For preventing the trouble, please keep clean around the muffler.



This engine is air-cooled. Dust clogging between the inlet port of the cooling air and cylinder fins will cause overheating of the engine. Periodically check and clean the cylinder fins after removing the air cleaner and the cylinder cover. (MA15)

(1) Inlet port of the cooling air

ⓘ IMPORTANT

When installing the cylinder cover, make sure that switch wires and grommets are positioned correctly in place.

9. Maintenance

9. Muffler (MA16)

⚠ WARNING

If you do not attach the muffler correctly, after engine starts, the muffler will be loosen and the hightemperature exhaust gas spout. After cleaning the muffler, pay attention to fit up the muffler according to the explanation as follows.

1. Muffler body, muffler cover and baffle will be combined correctly.
2. Be sure the gasket is not broken. If it is broken, change to the new one.
3. Before tightening the screw, rub the gross on it.
4. After making a test run, re-tighten the screw (TORQUE: 4.9~5.9 N.m./50~60 kg-cm)

⚠ WARNING

Right after stopping the engine, do not touch the muffler with one's bare hands. It will cause to burn your hands.

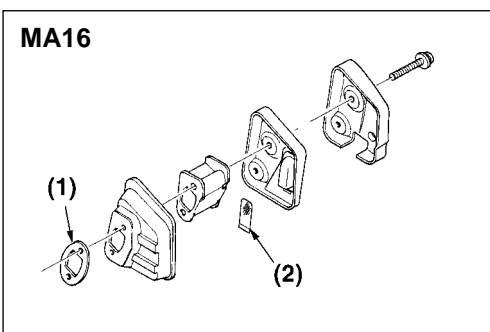
If carbon clogs between the muffler, it will cause the poor-output and the trouble in starting. After each 100 hours, check and clean inside the muffler.

Spark arrester

RedMax engines are equipped with a spark arresting screen at the exhaust port. Periodically check and keep it in good condition. In the State of California it is required by law (Section 4442 of the California Public Resources Code) to have a spark arrester when a gas powered tool is used in any forest covered, brush covered, or grass covered unimproved land. (MA16)

(1) Gasket

(2) Spark arrester



10. Storage

1. Empty the fuel tank and run the engine out of fuel.
2. Empty the oil tank.
3. Clean the entire unit.
4. Store the unit in a dry place out of the reach of children.

11. Troubleshooting Guide

Case 1. Starting failure:

⚠ Make sure the icing prevention system is not working.

Check fuel for water or substandard mixture.

→ Replace with proper fuel.



Check for engine flooding.

→ Remove and dry the spark plug.
Then pull the starter again with no choke.



Check the spark.

→ Replace with a new plug.

Case 2. Lack of power/Poor acceleration/Rough idling

Check fuel for water or substandard mixture.

→ Replace with proper fuel.



Check air filter and fuel filter for clogging.

→ Clean.



Check carburetor for inadequate adjustment.

→ Readjust speed needles.

Case 3. Oil does not come out

Check oil for substandard quality.

→ Replace.



Check oil passage and ports for clogging.

→ Clean.

When your unit seems to need further service, please consult with our service shop in your area.

12. Parts list

CHAINSAWS

G2500TS

NOTE :

1. Use KOMATSU ZENOAH genuine parts as specified in the parts list for repair and/or replacement.
2. KOMATSU ZENOAH does not warrant the machines, which have been damaged by the use of any parts other than those specified by the company.
3. When placing parts orders for repair and/or replacement, check if the model name and the serial number are applicable to those specified in the parts list, then use parts number described in the parts list.
4. The contents described in the parts list may change due to improvement.
5. The parts for the machine shall be supplied seven (7) years after the machine is discontinued. [It is possible that some specific parts may be subject to change of their delivery term and list price within the limit of ten (7) years after the machine is discontinued. It is also possible that some parts may be available even after the limit of seven (7) years.]

APPLICABLE SERIAL NUMBERS :

010101 and up

Oct. 2000

Fig.1 POWER UNIT G2500TS (S/N 010101 and up)

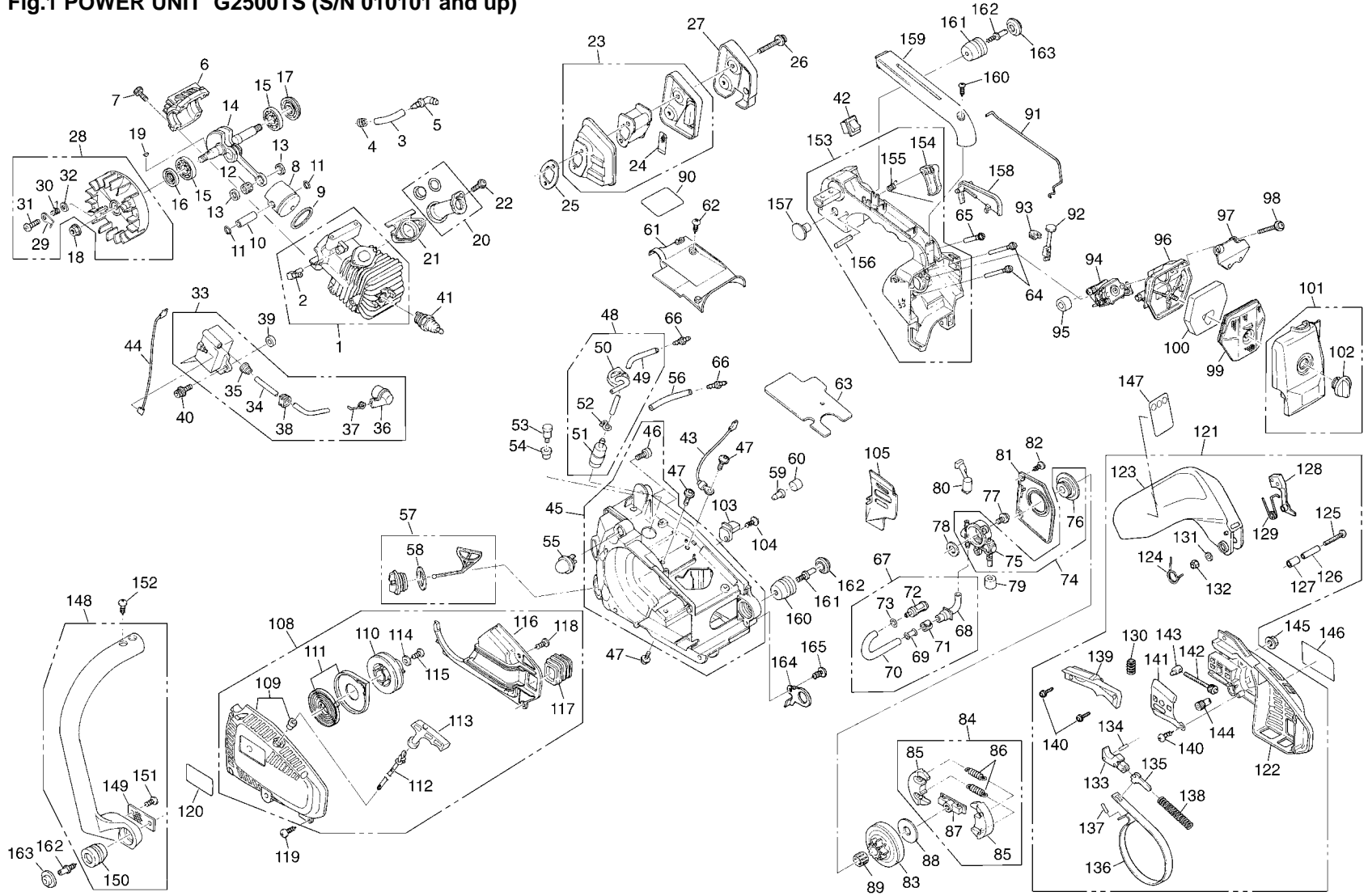


Fig. 1 POWER UNIT (S/N 010101 and up)

G2500TS

Key#	PART NUMBER	DESCRIPTION	Q'TY /UNIT	NOTE	Key#	PART NUMBER	DESCRIPTION	Q'TY /UNIT	NOTE	Key#	PART NUMBER	DESCRIPTION	Q'TY /UNIT	NOTE
1	2841-12101	CYLINDER COMP	1		56	2841-31260	PIPE	1		111	2841-75300	• SPRING COMP	1	
2	2841-12120	• ELBOW	1		57	2841-31800	CAP ASSY	2		112	1850-75160	• ROPE	1	
3	2841-12210	PIPE	1		58	2630-31820	• GASKET	2		113	3330-75421	• KNOB	1	
4	3310-82230	CLIP	1		59	3330-23121	VALVE	1		114	1140-51230	• WASHER	1	
5	3350-34320	ELBOW	1		60	2841-31410	SEAL	1		115	2630-75510	• SCREW, tapping	1	ø5.4x14
6	2841-21110	CRANKCASE	1		61	2841-31911	COVER	1		116	2841-75611	• COVER	1	
7	01252-30520	BOLT, hexagon hole	4	M5x20	62	2630-31950	SCREW, tapping	2	ø4.3x16	117	2841-75710	• PIPE	1	
8	2841-41112	PISTON	1		63	2841-31920	MAT	1		118	2630-31950	• SCREW, tapping	1	ø4.3x16
9	2841-41210	RING, piston	1		64	2841-37111	PIPE	2		119	2630-31950	SCREW, tapping	4	ø4.3x16
10	1600-41310	PIN	1		65	2841-37121	PIPE	1		120	T2040-75130	LABEL	1	
11	1260-41320	RING, snap	2		66	2841-37150	JOINT	2		121	2841-54003	BRAKE ASSY	1	
12	1140-41330	BEARING	1		67	2841-31300	PIPE COMP	1		122	2841-54113	• COVER	1	
13	1101-41340	WASHER	2		68	2841-31311	• PIPE	1		123	2841-54121	• GUARD	1	
14	2841-42001	SHAFT COMP	1		69	3310-57320	• JOINT	1		124	2872-54120	• SPRING	1	
15	1155-21240	BEARING	2		70	2841-31330	• PIPE	1		125	0263-80530	• SCREW	1	M5x30
16	2841-21210	OIL SEAL	1		71	3310-57340	• CLIP	1		126	2872-54140	• SPACER	1	
17	2841-21220	OIL SEAL	1		72	2670-23131	• FILTER	1		127	2850-54211	• SPACER	1	
18	1650-43230	NUT	1	M8x1.0	73	1260-41320	• RING	1		128	2851-54221	• WEIGHT	1	
19	1000-43240	KEY	1		74	2841-55103	OIL PUMP ASSY	1		129	2841-54230	• SPRING	1	
20	2841-06010	PIPE SET	1		75	2841-55112	• OIL PUMP	1		130	2851-54270	• SPRING	1	
21	2841-14120	PLATE	1		76	2850-55121	• WORM	1		131	01641-20508	• WASHER	1	
22	0263-30416	SCREW	2	M4x16	77	0263-30416	SCREW	2	M4x16	132	3310-53331	• NUT, nylon	1	M5
23	T2040-15100	MUFFLER ASSY	1		78	2850-55211	WASHER	1		133	2851-54301	• LEVER COMP	1	
24	T2040-15140	• SPARK ARRESTER	1		79	2670-55220	SEAL	1		134	2851-54350	• ROLLER	1	
25	3304-15210	GASKET	1		80	2841-55250	PIPE	1		135	2670-54410	• ARM	1	
26	2670-82210	SCREW	2		81	2841-55310	COVER	1		136	2841-54510	• BAND	1	
27	T2040-15310	MUFFLER COVER	1		82	2630-31950	SCREW, tapping	2	ø4.3x16	137	3356-24140	• ROLLER	1	
28	2841-71101	ROTOR ASSY	1		83	2475-51110	DRUM	1		138	2670-54610	• SPRING	1	
29	2841-71120	• PAWL	2		84	2841-51201	CLUTCH ASSY	1		139	2841-54620	• COVER	1	
30	1260-71240	• SPRING	2		85	2841-51220	• SHOE	2		140	2630-33610	• SCREW, tapping	4	ø4.3x12
31	2850-71140	• SCREW	2		86	2841-51230	• SPRING	2		141	2841-53211	• PLATE	1	
32	2850-71151	• WASHER	2		87	2841-51242	• BOSS	1		142	2841-53240	• SCREW	1	
33	2841-71200	MODULE ASSY	1		88	2841-51210	PLATE	1		143	2810-53221	• NUT	1	
34	2841-71220	• CORD	1		89	3310-51310	BEARING	1		144	2671-53230	• GEAR	1	
35	2616-71320	• CAP	1		90	T2040-31950	LABEL (EPA)	1		145	3350-53410	NUT	1	M8
36	2850-72110	• CAP	1		91	2841-82510	ROD	1		146	T2040-53120	LABEL	1	
37	1400-72121	• SPRING	1		92	2841-82411	ROD	1		147	T2040-54910	LABEL, warning	1	
38	1140-72110	GROMMET	1		93	2841-82421	GROMMET	1		148	2841-32100	HANDLE ASSY	1	
39	5500-72150	SPACER	2		94	T2040-81000	CARBRETOR ASSY	1	WT-596	149	2841-32150	• STOPPER	1	
40	3350-14150	BOLT, hexagon hole	2	M4x25	95	2841-82210	SEAL	1		150	2841-35110	• DAMPER	1	
41	1630-73110	SPARK PLUG	1	RCJ7Y	96	2841-82111	PLATE	1		151	2630-75510	• SCREW, tapping	1	ø5.4x14
42	2850-74102	SWITCH ASSY	1		97	2841-82120	PLATE	1		152	2630-75510	SCREW, tapping	2	ø5.4x14
43	2850-74213	CORD	1		98	0263-30545	SCREW	2	M5x45	153	2841-33100	HANDLE COMP	1	
44	2841-74220	CORD	1		99	2841-83111	CLEANER	1		154	3356-33311	• LEVER THROTTLE	1	
45	2841-31103	CASE COMP	1		100	2841-83120	ELEMENT	1		155	3356-33321	• SPRING	1	
46	2841-31140	• SCREW	2		101	2841-83302	COVER COMP	1		156	04025-00524	• SPRING PIN	1	
47	2870-31750	SCREW	4	M5x16	102	2841-83320	• KNOB	1		157	2841-35180	STOPPER	1	
48	2841-31201	PIPE ASSY	1		103	2630-53412	CATCHER	1		158	3356-33352	ARM	1	
49	2841-31210	• PIPE	1		104	2630-32170	SCREW, tapping	1	ø5.4x20	159	2841-34110	COVER	1	
50	2841-31251	• GROMMET	1		105	2841-53310	PLATE	1		160	2630-31950	SCREW, tapping	1	ø4.3x16
51	1850-85300	• FILTER	1							161	2841-35110	DAMPER	2	
52	1260-85460	• CLIP	1							162	2841-35120	BOLT	3	
53	2850-34501	BREATHER ASSY	1							163	2841-35150	CAP	3	
54	3317-85120	GROMMET	1							164	2841-98210	HANGER	1	
55	2850-81900	PUMP	1							165	2630-33610	SCREW	1	

12. Parts list

Fig.2 CARBBURETOR COMPONENTS & ACCESSORIES (S/N 010101 and up)

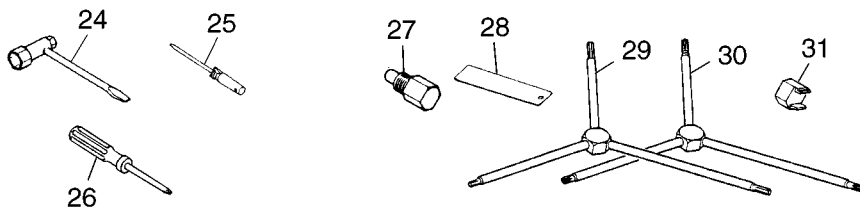
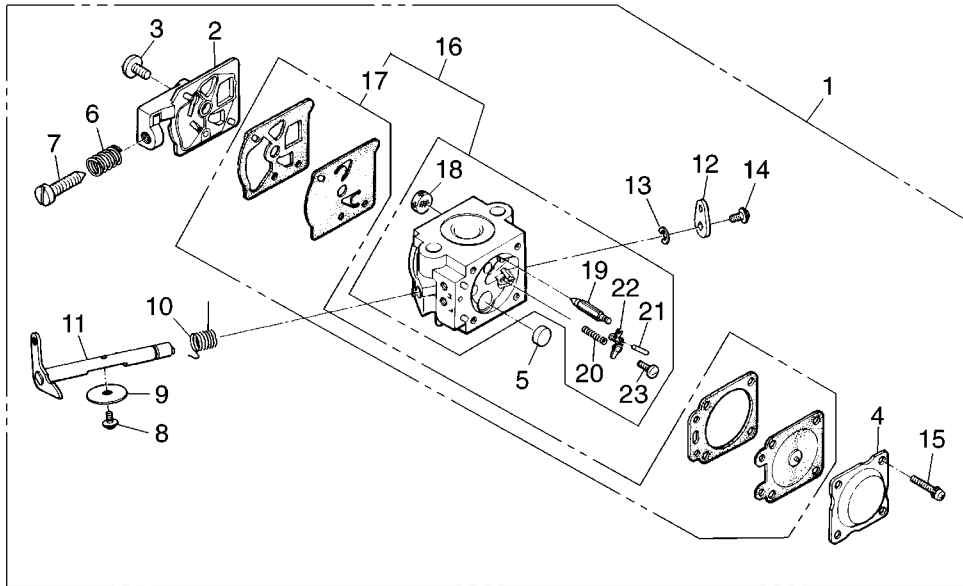


Fig.2 CARBURETOR COMPONENTS & ACCESSORIES (S/N 010101 and up)

Key#	PART NUMBER	DESCRIPTION	Q'TY /UNIT	NOTE
1	T2040-81000	CARBURETOR ASS'Y		
2	2630-81120	• PUMP COVER	1	
3	3310-81130	• SCREW	1	
4	3310-81280	• COVER	1	
5	1480-81420	• PLUG	1	
6	3350-81380	• SPRING	1	
7	2630-81330	• SCREW	1	
8	2880-81470	• SCREW	1	
9	3310-81341	• VALVE	1	
10	2670-81410	• SPRING	1	
11	T2040-81370	• SHAFT ASS'Y	1	
12	2841-81440	• LEVER	1	
13	1148-81390	• RING	1	
14	3310-81360	• SCREW	1	
15	3310-81351	• SCREW	4	
16	2841-06030	• REBUILT KIT	1	
17	2850-06020	•• GASKET KIT	1	
18	_____	•• SCREEN	1	
19	_____	•• VALVE, inlet	1	
20	_____	•• SPRING	1	
21	_____	•• PIN	1	
22	_____	•• LEVER	1	
23	_____	•• SCREW	1	
24	3320-91140	WRENCH	1	
25	2670-91150	DRIVER	1	
26	1030-91340	DRIVER	1	
27	3350-96220	STOPPER	1	PISTON (OP)
28	3350-96240	GAUGE	1	AIR GAP (OP)
29	3304-97611	WRENCH	1	HEXAGON (OP)
30	2670-96410	WRENCH	1	TORX (OP)
31	2841-96110	WRENCH	1	CLUTCH (OP)

CALIFORNIA EMISSION CONTROL WARRANTY STATEMENT
YOUR WARRANTY RIGHTS AND OBLIGATIONS

THE CALIFORNIA AIR RESOURCES BOARD AND KOMATSU ZENOAH Co. ARE PLEASED TO EXPLAIN THE **EMISSION CONTROL SYSTEM WARRANTY** ON YOUR **1995 AND LATER** LAWN AND GARDEN EQUIPMENT ENGINE. IN CALIFORNIA, NEW UTILITY AND LAWN AND GARDEN EQUIPMENT ENGINES MUST BE DESIGNED, BUILT AND EQUIPPED TO MEET THE STATE'S STRINGENT ANTI-SMOG STANDARDS.

KOMATSU ZENOAH Co, MUST WARRANT THE EMISSION CONTROL SYSTEM ON YOUR LAWN AND GARDEN EQUIPMENT ENGINE FOR THE PERIODS OF TIME LISTED BELOW PROVIDED THERE HAS BEEN NO ABUSE, NEGLIGENCE OR IMPROPER MAINTENANCE OF YOUR LAWN AND GARDEN EQUIPMENT ENGINE.

YOUR EMISSION CONTROL SYSTEM. MAY INCLUDE PARTS SUCH AS THE CARBURETOR, THE IGNITION SYSTEM, AND CATALYTIC CONVERTER. ALSO INCLUDED MAY BE THE HOSES, BELTS, CONNECTORS AND OTHER EMISSION-RELATED ASSEMBLIES.

WHERE A WARRANTABLE CONDITION EXISTS, KOMATSU ZENOAH Co. WILL REPAIR YOUR LAWN AND GARDEN EQUIPMENT ENGINE AT NO COST TO YOU INCLUDING DIAGNOSIS, PARTS AND LABOR.

MANUFACTURER'S WARRANTY COVERAGE:

THE 1995 AND LATER UTILITY AND LAWN AND GARDEN EQUIPMENT ENGINES ARE WARRANTED FOR **TWO YEARS**. IF ANY EMISSION-RELATED PART ON YOUR ENGINE IS DEFECTIVE, THE PART WILL BE REPAIRED OR REPLACED BY KOMATSU ZENOAH Co.

OWNER'S WARRANTY RESPONSIBILITIES:

—AS THE LAWN AND GARDEN EQUIPMENT ENGINE OWNER, YOU ARE RESPONSIBLE FOR THE PERFORMANCE OF THE **REQUIRED MAINTENANCE LISTED IN YOUR OWNER'S MANUAL**. KOMATSU ZENOAH Co. RECOMMENDS THAT YOU RETAIN ALL RECEIPTS COVERING MAINTENANCE ON YOUR LAWN AND GARDEN ENGINE, BUT KOMATSU ZENOAH Co. CAN NOT DENY WARRANTY SOLELY FOR THE LACK OF RECEIPTS OR FOR YOUR FAILURE TO ENSURE THE PERFORMANCE OF ALL SCHEDULED MAINTENANCE.

—AS THE LAWN AND GARDEN EQUIPMENT ENGINE OWNER, YOU SHOULD BE AWARE, HOWEVER, THAT KOMATSU ZENOAH Co. MAY DENY YOU WARRANTY COVERAGE IF YOUR LAWN AND GARDEN EQUIPMENT ENGINE OR A PART HAS FAILED DUE TO ABUSE, NEGLIGENCE, IMPROPER MAINTENANCE OR UNAPPROVED MODIFICATION.

—YOU ARE RESPONSIBLE FOR PRESENTING YOUR LAWN AND GARDEN EQUIPMENT ENGINE TO A KOMATSU ZENOAH Co. DISTRIBUTION CENTER AS SOON AS A PROBLEM EXISTS. THE WARRANTY REPAIRS SHOULD BE COMPLETED IN A REASONABLE AMOUNT OF TIME, NOT TO EXCEED **30 DAYS**.

IF YOU HAVE ANY QUESTIONS REGARDING YOU WARRANTY RIGHTS AND RESPONSIBILITIES, YOU SHOULD CONTACT KOMATSU ZENOAH AMERICA INC. AT (770)-381-5147.

**RedMax CHAINSAW
MODEL G2500TS
1-YEAR LIMITED WARRANTY**

EMISSION-RELATED PARTS, FOR TWO (2) YEARS FROM THE DATE OF ORIGINAL DELIVERY OF THE MODEL G2500TS UNIT, KOMATSU ZENOAH AMERICA INC. (THE COMPANY), THROUGH ANY RedMax DEALER, WILL REPAIR OR REPLACE, FREE OF CHARGE, FOR THE ORIGINAL AND EACH SUBSEQUENT PURCHASER, ANY PART OR PARTS FOUND TO BE DEFECTIVE IN MATERIAL AND/OR WORKMANSHIP. EMISSION-RELATED PARTS ARE:

**THE CARBURETOR ASSY, COIL ASSY, ROTOR, SPARKPLUG,
AIR FILTER, FUEL FILTER, INTAKE MANIFOLD, AND THE GASKETS**

ALL OTHER PARTS EXCEPT ABOVE PARTS, FOR ONE (1) YEAR OF HOME USE [NINETY (90) DAYS FOR ANY OTHER USE] FROM THE DATE OF ORIGINAL ANY DELIVERY OF THE MODEL G2500TS UNIT, THE COMPANY, THROUGH ANY RedMax DEALER, WILL REPAIR OR REPLACE, FREE OF CHARGE, FOR THE ORIGINAL PURCHASER, ANY PART OF PARTS FOUND TO BE DEFECTIVE IN MATERIAL AND/OR WORKMANSHIP. **THIS IS THE EXCLUSIVE REMEDY.**

THE PURCHASER SHALL BEAR COSTS OF TRANSPORTING THE UNIT TO AND FROM THE RedMax DEALER.

THE PURCHASER SHALL NOT BE CHARGED FOR DIAGNOSTIC LABOR WHICH LEADS TO THE DETERMINATION THAT A WARRANTED PART IS DEFECTIVE, IF THE DIAGNOSTIC WORK IS PERFORMED AT THE RedMax DEALER.

THE PURCHASER OR OWNER IS RESPONSIBLE FOR THE PERFORMANCE OF THE REQUIRED MAINTENANCE AS DEFINED BY THE MANUFACTURER IN THE OWNER/OPERATOR MANUAL.

ANY WARRANTED PART WHICH IS NOT SCHEDULED FOR REPLACEMENT AS REQUIRED MAINTENANCE, OR WHICH IS SCHEDULED ONLY FOR REGULAR INSPECTION TO THE EFFECT OF "REPAIR OR REPLACE AS NECESSARY" SHALL BE WARRANTED FOR THE WARRANTY PERIOD. ANY WARRANTED PART WHICH IS SCHEDULED FOR REPLACEMENT AS REQUIRED MAINTENANCE SHALL BE WARRANTED FOR THE PERIOD OF TIME UP TO THE FIRST SCHEDULED REPLACEMENT POINT FOR THE PART.

ANY REPLACEMENT PART THAT IS EQUIVALENT IN PERFORMANCE AND DURABILITY MAY BE USED IN NON-WARRANTY MAINTENANCE OR REPAIRS, AND SHALL NOT REDUCE THE WARRANTY OBLIGATION OF THE COMPANY.

THE COMPANY IS LIABLE FOR DAMAGES TO OTHER ENGINE COMPONENTS CAUSED BY THE FAILURE OF A WARRANTED PARTS STILL UNDER WARRANTY.

THE WARRANTY DOES NOT APPLY TO THOSE UNITS WHICH HAVE BEEN DAMAGED BY NEGLIGENCE OF INSTRUCTION LISTED IN THE OWNER/OPERATOR MANUAL FOR PROPER USE AND MAINTENANCE OF THE UNITS, ACCIDENT MISHANDLING, ALTERATION, ABUSE, IMPROPER LUBRICATION, USE OF ANY PARTS OR ACCESSORIES OTHER THAN THOSE SPECIFIED BY THE COMPANY, OR OTHER CAUSES BEYOND THE COMPANY'S CONTROL.

THIS WARRANTY DOES NOT COVER THOSE PARTS REPLACED BY NORMAL WEAR OR HARMLESS CHANGES IN THEIR APPEARANCE.

THERE ARE NO OTHER EXPRESS WARRANTIES.

IMPLIED WARRANTIES INCLUDING THOSE OF MERCHANTABILITY AND FITNESS FOR A PARTICULAR PURPOSE **ARE LIMITED** TO ONE (1) YEAR OF HOME USE [NINETY (90) DAYS FOR ANY OTHER USE] FROM THE ORIGINAL DELIVERY DATE.

LIABILITIES FOR INCIDENTAL OR CONSEQUENTIAL DAMAGE UNDER ANY AND ALL WARRANTIES ARE EXCLUDED.

SOME STATES DO NOT ALLOW LIMITATION ON HOW LONG AN IMPLIED WARRANTY LASTS OR EXCLUSION OR LIMITATION OF INCIDENTAL OR CONSEQUENTIAL DAMAGES, SO THE ABOVE LIMITATION OR EXCLUSION MAY NOT APPLY TO YOU.

THIS WARRANTY GIVES YOU SPECIFIC LEGAL RIGHTS, AND YOU MAY ALSO HAVE OTHER RIGHTS WHICH VARY FROM STATE TO STATE.

IF YOU NEED TO OBTAIN INFORMATION ABOUT THE NEAREST SERVICE CENTER, PLEASE CALL KOMATSU ZENOAH AMERICA INC. AT (770)-381-5147.

IMPORTANT: YOU WILL RECEIVE A WARRANTY REGISTRATION CARD AT TIME OF PURCHASE. PLEASE FILL OUT THE CARD AND SEND IT TO RedMax / KOMATSU ZENOAH AMERICA WITHIN SEVEN (7) DAYS. BE SURE TO KEEP A COPY FOR YOUR RECORDS.



RedMax[®]

KOMATSU ZENOAH AMERICA INC.
4344 Shackelford Road Suite 500
Norcross, Georgia 30093

RedMax CHAINSAW
Modèle G2500TS
Garantie limitée à 1 ans

Pièces en rapport avec les émissions de gaz d'échappement : KOMATSU ZENOAH AMERICA INC., par l'intermédiaire de n'importe quel revendeur RedMax, réparera gratuitement ou remplacera gratuitement pour l'acheteur initial et chaque acheteur successif toute(s) pièce(s) se révélant de constitution et/ou de montage défectueux pendant deux (2) ans à compter de la date initiale de livraison d'une unité du modèle G2500TS. Les pièces en rapport avec les émissions de gaz d'échappement sont:

**l'assemblage carburateur, l'assemblage bobine, le rotor, la bougie,
le filtre à air, le filtre à carburant, la tubulure d'admission et les joints**

Toutes autres pièces exceptées celles mentionnées ci-dessus : La société, par l'intermédiaire de n'importe quel revendeur RedMax, réparera gratuitement ou remplacera gratuitement pour l'acheteur initial toute(s) pièce (s) se révélant de constitution et/ou de montage défectueux pendant un (1) ans en cas d'utilisation privée [quatre-vingt-dix (90) jours pour toute autre utilisation] à compter de la date de livraison initiale d'une unité du modèle G2500TS.

Telles sont les limites de la garantie.

Le coût du transport de l'unité jusqu'au revendeur RedMax et depuis celui-ci sera à la charge de l'acheteur.

L'acheteur ne supportera pas le coût de main d'oeuvre du diagnostic qui amène à la conclusion qu'une pièce garantie est défectueuse, si ce diagnostic est effectué chez le revendeur RedMax.

L'acheteur ou propriétaire a pour responsabilité d'effectuer l'entretien obligatoire tel que défini par le fabricant dans le manuel du propriétaire/de l'utilisateur.

Toute pièce garantie dont le remplacement n'est pas prévu dans le cadre de l'entretien obligatoire, ou pour laquelle est seulement prévue une inspection périodique pour "remplacement ou réparation si nécessaire" sera garantie pour la période de garantie. Toute pièce garantie arrivée à l'échéance de son premier remplacement prévu sera garantie jusqu'à celui-ci.

Toute pièce de rechange équivalente en performance ou en durabilité peut être utilisée pour l'entretien hors-garantie ou les réparations hors-garantie, et ce sans réduire l'obligation de garantie incombant à la société.

La société sera tenue responsable des dommages aux autres composants du moteur causés par la défaillance de pièce(s) garantie(s) en période de garantie.

La garantie ne s'applique pas aux unités endommagées par suite de: négligence dans la mise en oeuvre des instructions spécifiées dans le manuel du propriétaire/de l'utilisateur en vue d'une utilisation et d'un entretien correct, fausse manœuvre accidentelle, modification, utilisation abusive, lubrification incorrecte, utilisation de pièces ou d'accessoires autres que ceux spécifiés par la société, ou autres causes hors du contrôle de la société.

Cette garantie ne couvre pas les pièces remplacées en raison de leur usure normale ou de changements d'apparence sans effets.

Il n'existe aucune autre garantie explicite.

Les garanties implicites, celles de négociabilité du produit et de son adaptabilité à un usage défini incluses, **sont limitées** à un (1) ans pour un usage privé [quatre-vingt-dix (90) jours pour toute autre utilisation] à compter de la date initiale de livraison.

Les responsabilités pour les dommages conséquents ou incidents sont exclues de toutes les garanties.

Certaines provinces n'autorisant pas les limitations à la durée des garanties implicites, ou les exclusions ou limitations relatives aux dommages incidents ou conséquents, la limitation indiquée ci-dessus peut ne pas vous être applicable.

Cette garantie vous donne des droits juridiques spécifiques, et vous pouvez également jouir d'autres droits variant d'une province à l'autre.

Si vous désirez obtenir des informations sur le centre de service le plus proche, veuillez appeler KOMATSU ZENOAH AMERICA INC. au (770)-381-5147

Note importante: vous recevrez une carte d'enregistrement de garantie au moment de l'achat. Veuillez la remplir et l'adresser à RedMax / KOMATSU ZENOAH AMERICA sous sept (7) jours en prenant soin de conserver une copie pour vous.



RedMax[®]

KOMATSU ZENOAH AMERICA INC.
4344 Shackelford Road Suite 500
Norcross, Georgia 30093



KOMATSU ZENOAH AMERICA INC.
4344 Shackleford Road Suite 500
Norcross, Georgia 30093

© Printed in Japan

Free Manuals Download Website

<http://myh66.com>

<http://usermanuals.us>

<http://www.somanuals.com>

<http://www.4manuals.cc>

<http://www.manual-lib.com>

<http://www.404manual.com>

<http://www.luxmanual.com>

<http://aubethermostatmanual.com>

Golf course search by state

<http://golfingnear.com>

Email search by domain

<http://emailbydomain.com>

Auto manuals search

<http://auto.somanuals.com>

TV manuals search

<http://tv.somanuals.com>