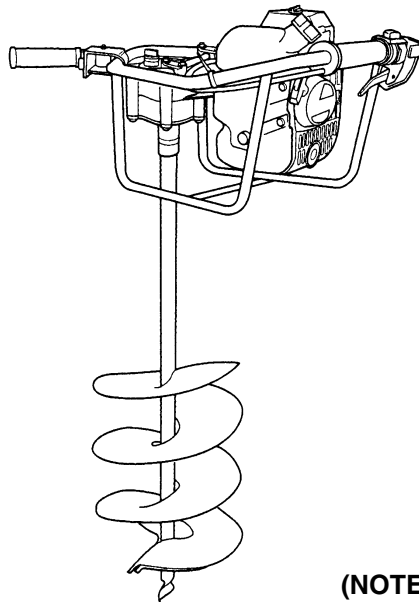




OWNER/OPERATOR MANUAL

POWER AUGER

AG4300



(NOTE: Drill is optional part.)



WARNING



The engine exhaust from this product contains chemicals known to the State of California to cause cancer, birth defects or other reproductive harm.

Thank you for purchasing a RedMax product.

Before using our power auger, please read this manual carefully to understand the proper use of your unit.


APPLICABLE SERIAL NUMBERS : 100101 and up



Read this manual carefully to understand all safety precautions, controls, proper operation and maintenance of your RedMax power auger. Failure to do so could result in serious injury.



SAFETY FIRST

Instructions contained in warnings within this manual marked with a  symbol concern critical points which must be taken into consideration to prevent possible serious bodily injury, and for this reason you are requested to read all such instructions carefully and follow them without fail.

Note that there may be times when warning seals peel off or become soiled and impossible to read. If this happens, you should contact the dealer from which you purchased the product to order new seals and affix the new seal(s) in the required location(s).

■ Notes on types of warnings

WARNING

Instructions labeled as shown at left concern critical steps or procedures which must be followed in order to prevent accidents which could lead to serious bodily injury or death. This mark is used to indicate instructions which must be followed without exception.

IMPORTANT

Instructions labeled as shown at left concern steps or procedures which, if not followed correctly, could lead to mechanical failure, breakdown, or damage.

NOTE

Used to label supplementary instructions designed to provide hints or directions useful in the use of the product.

CONTENTS

1. SAFETY PRECAUTIONS	4
IN ORDER TO ENSURE PROPER AND SAFE OPERATION OF YOUR POWER AUGER	
WORK GEAR AND CLOTHING	
WARNINGS CONSIDERING HANDLING OF FUEL	
THINGS TO CHECK BEFORE USING YOUR POWER AUGER	
THINGS TO CHECK BEFORE STARTING UP THE ENGINE	
AVOID NOISE PROBLEM	
THINGS TO BE CAREFUL ABOUT WHEN USING YOUR POWER AUGER	
NOTES ON CARE AND MAINTENANCE OF YOUR POWER AUGER	
2. FUEL	9
HOW TO MIX FUEL	
FUELING THE UNIT	
3. OPERATION	11
INSTALLING LEFT GRIP	
INSTALLING DRILL	
THROTTLE CABLE PLAY	
STARTING ENGINE	
STOPPING ENGINE	
DRILLING	
ADJUSTING CARBURETOR	
4. MAINTENANCE	14
DAILY INSPECTION	
PERIODICAL INSPECTION	
5. STORAGE	16
BEFORE LONG-TERM STORAGE	
6. SPECIFICATIONS	16
7. PARTS LIST	17



1. Safety Precautions

■ In order to ensure proper and safe operation of your power auger

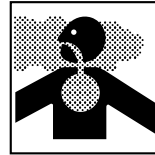
- Read this Owner/Operator Manual carefully. Be sure you understand how to operate this unit properly before you use it. Failure to do so could result in serious injury.



- Be sure to keep this manual handy so that you may refer to it later whenever any questions arise. Also note that you are requested to contact the dealer from whom you purchased the product for assistance in the event that you have any questions which cannot be answered herein.
- Always be sure to include this manual when selling, lending, or otherwise transferring the ownership of this product.
- This product has been designed for use in earth drilling, and it should never be used for any other purpose since doing so could result in unforeseen accidents and injuries occurring.
- You should never use this power auger when under the influence of alcohol, when suffering from exhaustion or lack of sleep, when suffering from drowsiness as a result of having taken cold medicine, or at any other time when a possibility exists that your judgment might be impaired or that you might not be able to operate the power auger properly and in a safe manner. Also be sure never to allow children or anyone unable to fully understand the directions given in this manual to use this power auger.



- Avoid running the engine indoors. The exhaust gases contain harmful carbon monoxide.



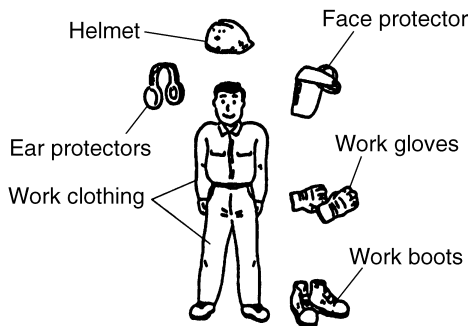
- Never use your power auger under circumstances like those described below:
 1. When the ground is slippery or when other conditions exist which might make it not possible to maintain a steady posture while using the power auger.
 2. At night, at times of heavy fog, or at any other times when your field of vision might be limited and it would be difficult to gain a clear view of the area where the power auger is to be used to ensure safety.
 3. During rain storms, during lightning storms, at times of strong or gale-force winds, or at any other times when weather conditions might make it unsafe to use this product.
- When using this product for the first time, before beginning actual work, take the power auger to a wide, clear, open space, turn on the power, and practice handling the power auger until you are sure that you will be able to handle it properly in actual operation.
- Lack of sleep, tiredness, or physical exhaustion results in lower attention spans, and this in turn leads to accidents and injury. When planning your work schedule, allow plenty of time to perform the work of cutting and allow plenty of time for rest. Limit the amount of time over which the power auger is to be used continuously to somewhere around 30~40 minutes per session, and take 10~20 minutes of rest between work sessions. Also try to keep the total amount of work performed in a single day under 2 hours or less.



1. Safety Precautions

■ Work gear and clothing

- When using your power auger, always be sure to wear strong, durable, work clothing; shirts should be long-sleeved shirts and pants should be full-length pants reaching down to the ankles.
- Always be sure to wear a helmet and face protector when using your power auger.
- When using your power auger, always be sure to wear thick work gloves to protect your hands and non-slip-sole work boots to prevent you from slipping. Never use your power auger when wearing pants with loose cuffs, when wearing sandals, or when barefoot.
- When using your power auger for an extended period of time, you should wear ear protectors to protect yourself from loss of hearing from overexposure to high levels of sound.



■ Warnings considering handling of fuel

- The engine of the power auger is designed to run on a mixed fuel which contains highly flammable gasoline. This fuel is highly flammable and you should never store cans of fuel or refill the tank of the power auger in any place where there is a boiler, stove, wood fire, electrical sparks, welding sparks, or any other source of heat or fire which might ignite the fuel.



- Smoking while operating the power auger or refilling its fuel tank is extremely dangerous. Always be sure to keep lit cigarettes away from the power auger at all times.
- When refilling the tank always turn off the engine first and take a careful look around to make sure that there are no sparks or open flames anywhere nearby before refueling.
- If any fuel spillage occurs during refueling, always be sure to use a dry rag to wipe any fuel which has been spilled onto the power auger before turning the engine back on again.
- After refueling, screw the fuel cap back tightly onto the fuel tank and then carry the power auger to a spot 10 feet or more away from where it was refueled before turning on the engine.



1. Safety Precautions

■ Things to check before using your power auger

- Before beginning work, look around carefully to get a feel for the shape of the land, and whether or not there are any obstacles which might get in the way while working, and remove any obstacles which can be cleared away before beginning work.
- The area within a perimeter of 45 feet of the person using the power auger should be considered a hazardous area into which no one should enter while the power auger is in use, and when necessary yellow warning rope, warning signs, or some other form of warnings should be placed around the perimeter of the area. When work is to be performed simultaneously by two or more persons, care should also be taken to constantly look around or otherwise check for the presence and locations of other people using power auger within the work area so as to maintain a distance between each person sufficient to ensure safety.
- Before beginning work, each component of the power auger should be checked to make sure that it is in proper working order and to make sure that there are no loose screws or bolts, fuel leaks, ruptures, dents, or any other problems which might interfere with safe operation. Be especially careful at this time to check that there is nothing wrong with the drills or with the joints by which the drills are attached to the power auger.

■ Things to check before starting up the engine

- Take a careful look around to make sure that no obstacles exist within a perimeter of 15 feet or less around the power auger before starting the engine.



- The power auger is equipped with a centrifugal clutch mechanism which causes the drills to begin to rotate as soon as the engine is started by putting the throttle into the start position. When starting the engine, hold it firmly in place so as to ensure that nor the throttle may not come into contact with any obstacles when the engine starts up.
- Never place the throttle into the high speed position when starting the engine.
- After starting up the engine, check to make sure that the drills stop rotating when the throttle is moved fully back to its original position. If the drills continue to rotate even after the throttle has been moved fully back, turn off the engine and take the unit to your authorized Red Max servicing dealer for repair.

■ Avoid noise problem



Check and follow the local regulations as to sound level and hours of operations for power auger.

- In general, operate power auger between 8a.m.and 5p.m.on week days and 9a.m.to 5p.m.weekends. Avoid using power auger late at night and/or early in the morning.



1. Safety Precautions

■ Things to be careful about when using your power auger

- When using your power auger, grip the handles of the power auger firmly with both hands, place your feet slightly apart (slightly further apart than the width of your shoulders) so that your weight is distributed evenly across both legs, and always be sure to maintain a steady, even posture while working.
- Maintain the speed of the engine at the level required to perform drilling work, and never raise the speed of the engine above the level necessary.
- Always be sure never to allow other persons to come within the work area while drilling.
- Be especially careful not to slip if it is raining or if rain has just stopped, as the ground is likely to be slippery at such times.
- If the grass or other object gets caught in the drill during operation, always be sure to turn off the engine before removing the object.
- Guard against hazardous situations at all times. Warn adults to keep pets and children away from the area. Establish a safe method for gaining your attention during operation. Be careful if you are approached.
- If someone calls out or otherwise interrupts you while working, always be sure to turn off the engine before turning around.
- Keep operation area clear of all persons, particularly small children and pets.
- Never touch the spark plug or plug cord while the engine is in operation. Doing so may result in being subjected to an electrical shock.



- Never touch the muffler, spark plug, or other metallic parts of the engine while the engine is in operation or immediately after shutting down the engine. These metallic parts reach high temperatures during operation and doing so could result in serious burns.



- When you finish drilling in one location and wish to continue work in another spot, turn off the engine before carrying it to the new location.
- Never transport the power auger over rough roads over long distances without first removing all fuel from the fuel tank, as doing so might cause fuel to leak from the tank as a result of shocks absorbed during transport.



1. Safety Precautions

■ Notes on care and maintenance of your power auger

- In order to maintain your power auger in proper working order, perform the maintenance and checking operations described in this manual at regular intervals. In the event that any parts must be replaced or any maintenance or repair work not described in this manual must be performed, please contact a representative from the store nearest RedMax authorized servicing dealer for assistance.
- Under no circumstances should you ever take apart the power auger or alter it in any way. Doing so might result in the power auger becoming damaged during operation or the power auger becoming unable to operate properly.
- Always be sure to turn off the engine before performing any maintenance or checking procedures.
- When removing, or reattaching the drills, be sure to wear thick, sturdy gloves and use only proper tools and equipment to prevent injury.
- When replacing drills or any other parts or when replacing the oil or any lubricants, always be sure to use only RedMax products or products which have been certified by RedMax for use with the power auger.
- Do not use any accessory or attachment other than those bearing the RedMax mark and recommended for the unit.

2. Fuel

⚠ WARNING

- Gasoline is very flammable. Avoid smoking or bringing any flame or sparks near fuel. Make sure to stop the engine and allow it cool before refueling the unit. Select outdoor bare ground for fueling and move at least 3m (10ft) away from the fueling point before starting the engine.



- The RedMax engines are lubricated by oil specially formulated for air-cooled 2-cycle gasoline engine use. If RedMax oil is not available, use an anti-oxidant added quality oil expressly labeled for air-cooled 2-cycle engine use. (JASO FC GRADE OIL or ISO EGC GRADE)
- Do not use BIA or TCW (2-stroke water-cooling type) mixed oil.



■ RECOMMENDED MIXING RATIO GASOLINE 50:OIL 1 (when using ZENOAH genuine oil)

50:1 MIXING CHART

GASOLINE gal.	1	2	3	4	5
2-CYCLE OIL fl.oz	2.6	5.2	7.8	10.4	13

GASOLINE liter	1	2	3	4	5
2-CYCLE OIL ml	20	40	60	80	100

- Exhaust emission are controlled by the fundamental engine parameters and components (eq., carburation, ignition timing and port timing) without addition of any major hardware or the introduction of an inert material during combustion.
- These engines are certified to operate on unleaded gasoline.
- Make sure to use gasoline with a minimum octane number of 89 RON (USA/Canada: 87AL)
- If you use a gasoline of a lower octane value than prescribed, there is a danger that the engine temperature may rise and an engine problem such as piston seizing may consequently occur.
- Unleaded gasoline is recommended to reduce the contamination of the air for the sake of your health and the environment.
- Poor quality gasolines or oils may damage sealing rings, fuel lines or fuel tank of the engine.

■ HOW TO MIX FUEL

⚠ IMPORTANT

Pay attention to agitation.

- Measure out the quantities of gasoline and oil to be mixed.
- Put some of the gasoline into a clean, approved fuel container.
- Pour in all of the oil and agitate well.
- Pour In the rest of gasoline and agitate

2. Fuel

again for at least one minute. As some oils may be difficult to agitate depending on oil ingredients, sufficient agitation is necessary for the engine to last long. Be careful that, if the agitation is insufficient, there is an increased danger of early piston seizing due to abnormally lean mixture.

5. Put a clear indication on the outside of the container to avoid mixing up with gasoline or other containers.
6. Indicate the contents on outside of container for easy identification.

■ FUELING THE UNIT

1. Untwist and remove the fuel cap. Rest the cap on a dustless place.
2. Put fuel into the fuel tank to 80% of the full capacity.
3. Fasten the fuel cap securely and wipe up any fuel spillage around the unit.

WARNING

1. **Select bare ground for fueling.**
2. **Move at least 10feet (3meters) away from the fueling point before starting the engine.**
3. **Stop the engine before refueling the unit. At that time, be sure to sufficiently agitate the mixed gasoline in the container.**

FOR YOUR ENGINE LIFE, AVOID;

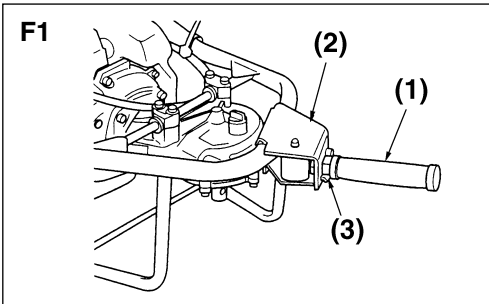
1. **FUEL WITH NO OIL(RAW GASOLINE)** – It will cause severe damage to the internal engine parts very quickly.
2. **GASOHOL** – It can cause deterioration of rubber and/or plastic parts and disruption of engine lubrication.
3. **OIL FOR 4-CYCLE ENGINE USE** – It can cause spark plug fouling, exhaust port blocking, or piston ring sticking.
4. **Mixed fuels which have been left unused for a period of one month or more** may clog the carburetor and result in the engine failing to operate properly.

5. In the case of storing the product for a long period of time, clean the fuel tank after rendering it empty. Next, activate the engine and empty the carburetor of the composite fuel.
6. In the case of scrapping the used mixed oil container, scrap it only at an authorized repository site.

NOTE

As lot details of quality assurance, read the description in the section Limited Warranty carefully. Moreover, normal wear and change in product with no functional influence are not covered by the warranty. Also, be careful that, if the usage in the instruction manual is not observed as to the mixed gasoline, etc. described therein, it may not be covered by the warranty.

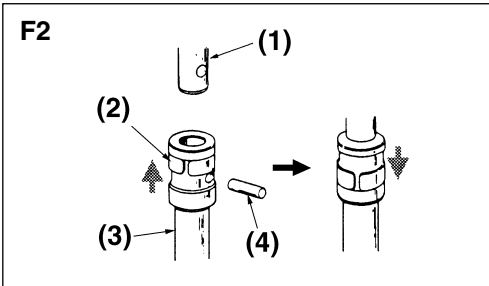
3. Operation



■ INSTALLING LEFT GRIP (F1)

- Screw in the left grip to the bracket provided on the frame and tighten the lock nut securely.

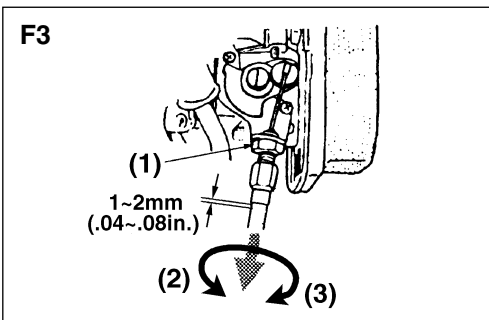
- (1) Left grip
- (2) Bracket
- (3) Lock nut



■ INSTALLING DRILL (F2)

1. Slide the ring clip and remove the lock pin from the drill.
2. Put the drill onto the auger output shaft and insert the lock pin. Cover it with the ring clip.

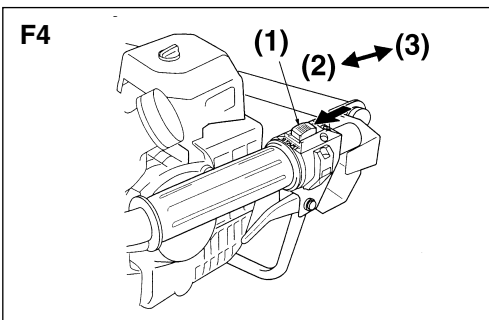
- (1) PTO shaft
- (2) Clip band
- (3) Drill
- (4) Pin



■ THROTTLE CABLE PLAY (F3)

- Check the throttle cable play and adjust to 1~2mm(.04~.08in.) as necessary.

- (1) Lock nut
- (2) Big
- (3) Small

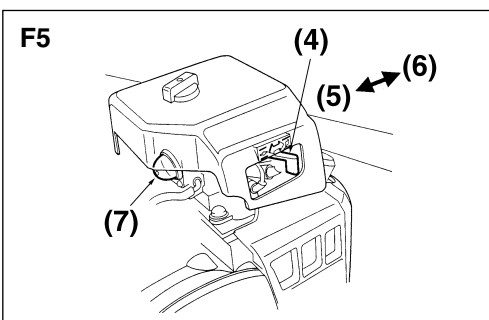


■ STARTING ENGINE

1. Fill fuel and tighten the cap securely.
2. Put the switch to "START" position. (F4)
3. Close the choke. (F5)

NOTE

When restarting immediately after stopping the engine, leave the choke open. (F5)

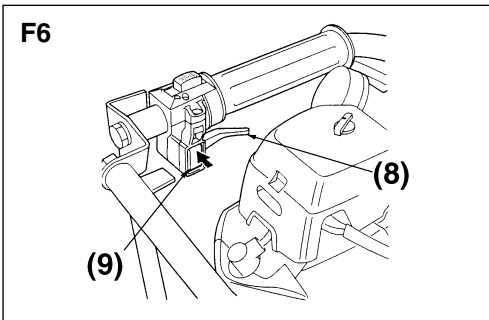


NOTE

The pump operation is not necessary when restarting the engine immediately after stopping it.

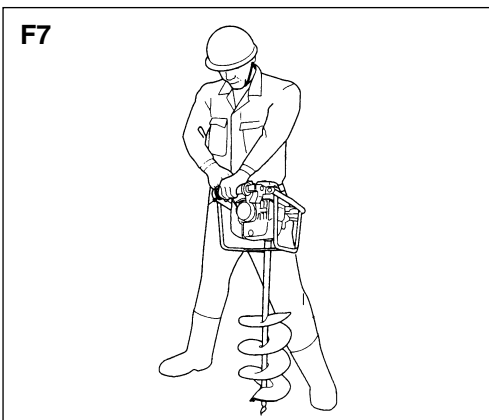
5. Push the start set button of the handle left

3. Operation



aspect while holding the throttle lever, and set the throttle lever in the start position. (F6)

- (1) Engine switch
- (2) Start
- (3) Stop
- (4) Choke lever
- (5) Open
- (6) Close
- (7) Primer pump
- (8) Throttle lever
- (9) Lock button



6. While supporting the auger with your left waist and left hand as shown in the figure, pull the starter rope, first lightly and add force when compression is felt. (F7)

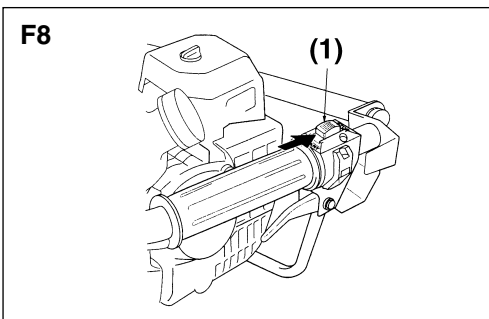
WARNING

Keep the drill clear of everything around it as it will start rotating upon starting of engine.

7. When the engine has started, gradually open the choke and release the throttle lever.
8. Allow the engine to warm up for a half minutes before starting operation.

NOTE

- When re-starting immediately after stopping the engine, keep the choke open.
- If the engine won't start after repeated attempts, it may be overfed with fuel. Remove and dry the spark plug, and try to start again with the choke open.



■ STOPPING ENGINE

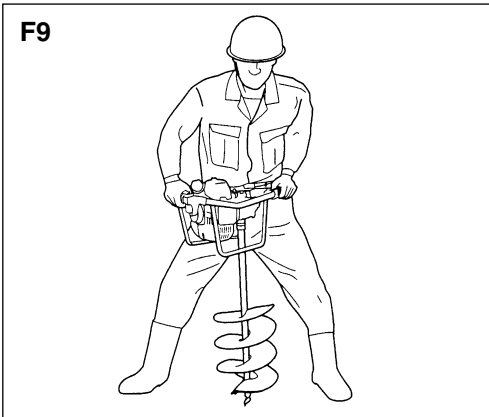
1. Release the throttle lever to allow the engine idling for a few minutes
2. Put the switch to the "STOP" position. (F8)

(1) Engine switch

■ DRILLING (F9)

- Keep a firm grip of the auger at all times on a wide stance and by holding the handle with both

3. Operation



hands.

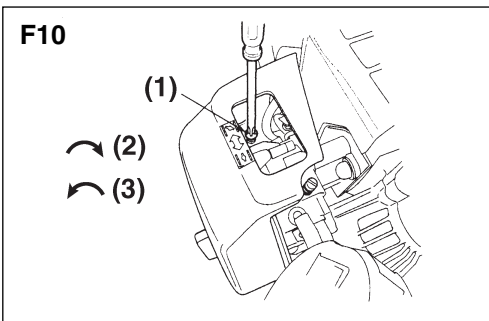
- A reacting motion may occur on the auger when spinning drill has hit on stones or tree roots under the ground. Always hold the auger securely to control such motion.
- Start drilling with half-throttle, and gradually increase the engine speed so that the drill may get into the ground smoothly.
- When the drill has been caught in the ground and cannot be pulled out, stop the engine and rotate the auger counter-clockwise.

■ ADJUSTING CARBURETOR (F10,11,12)

The carburetor on your unit has been factory adjusted, but may require fine tuning due to change in operating conditions.

Before adjusting the carburetor, make sure that provided are clean air/fuel filters and fresh, properly mixed fuel.

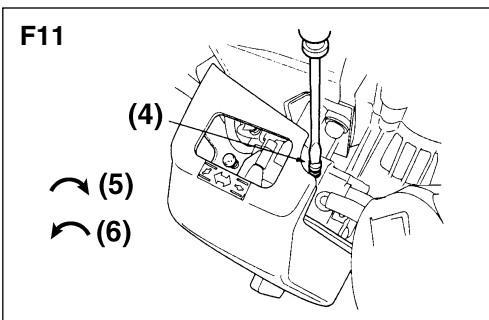
1. Stop engine and screw in both H and L needles until they stop. Never force. Then set them back the initial number of turns as shown below.



H needle: $1\frac{3}{8} \pm \frac{1}{4}$

L needle: $1\frac{1}{4} \pm \frac{1}{4}$

2. Start engine and allow it to warm up at half-throttle.
3. Turn L needle slowly clockwise to find a position where idling speed is maximum, then set the needle back a quarter ($\frac{1}{4}$) turn counterclockwise.
4. Turn idle adjusting screw counterclockwise so that the drill does not turn. If idling speed is too slow, turn the screw clockwise.
5. Make a test run and adjust the H needle for best drilling power, not for maximum speed.



(1) Idle adjusting screw

(2) rpm up

(3) rpm down

(4) H-needle

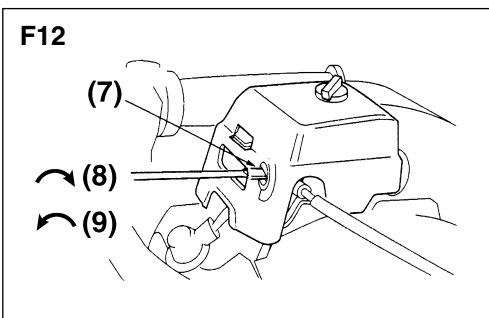
(5) Fuel decrease

(6) Fuel increase

(7) L-needle

(8) Fuel decrease

(9) Fuel increase



4. Maintenance

Maintenance, replacement, or repair of the emission control device and systems may be performed by any non-road engine repair establishment or individual.

WARNING

Before cleaning, inspecting or repairing the auger, make sure that the engine has stopped and cooled down. Disconnect the spark plug terminal to avoid accidental engine starts.

■ DAILY INSPECTION

- Check all nuts and screws are securely tightened and no parts are missing.
- Check for leakage of fuel.

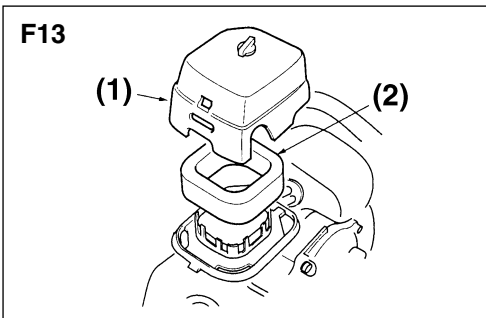
■ PERIODICAL INSPECTION

AIR FILTER (F13)

Check the air filter every 50 hours of use or more frequently if used under very dusty condition, and clean the element in warm soapy water as necessary. Dry completely before installing.

(1) Cover

(2) Element



SPARK PLUG (F14)

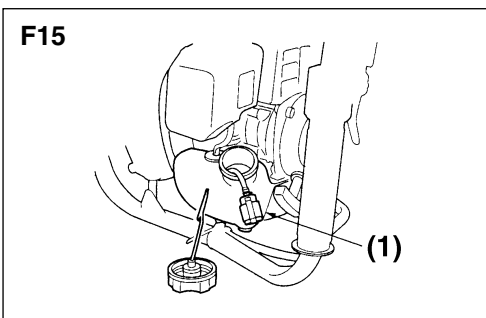
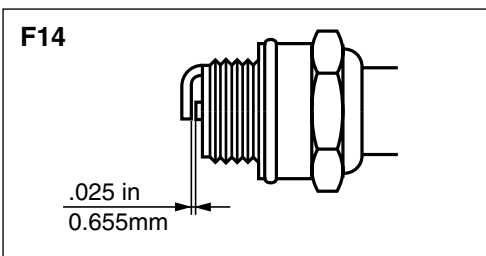
Check the spark plug every 50 hours of use and clean the gap with a wire brush. The gap should be set to .025 in. When replacing with a new plug, use a **Champion RCJ-6Y** or **NGK BPMR7A**.

FUEL FILTER (F15)

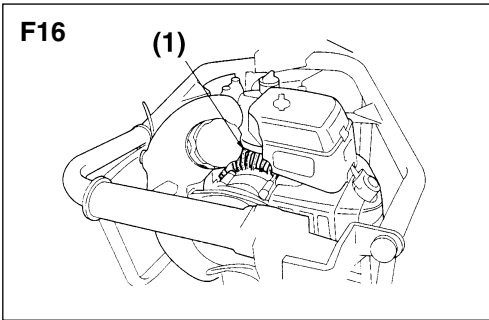
A clogged fuel filter can cause lack of power and poor pickup. Check the fuel filter every 25 use hours.

1. With a small wire hook, pull the fuel line and filter out of tank.
2. Disconnect the filter assembly.
3. If necessary, replace with new filter or clean by blowing air inside out after spraying a carburetor cleaning solvent.

(1) Fuel filter



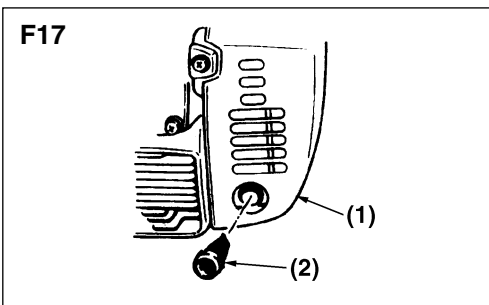
4. Maintenance



CYLINDER FINS (F16)

Dust clogging between the cylinder fins will cause overheating of the engine. Periodically check and clean the cylinder fins.

(1) Intake air cooling vent



SPARK ARRESTER (F17)

This engine is equipped with a spark arresting screen at the exhaust port. Check periodically to see if it is good condition, especially when your machine is to be used on any forest covered, brush covered, or grass covered unimproved land. In the State of California the above is required by law (Section 4442 of the California Public Resources Code)

1. Remove the muffler guard and pry off the spark arrester from the exhaust port.
2. Clean the metal screen with a wire brush. If damaged, replace with new one.

(1) Muffler guard

(2) Spark arrester

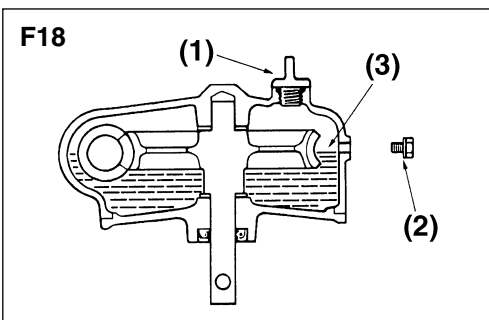
GEAR BOX

Check oil level of the gear box every 50 hours of use and change with new oil as necessary. (SAE #80 - 90)

Recommended change interval

1st: After 50 hours of use

2nd and on: Every 100 hours of use



(1) Oiling port

(2) Oil drain port

(3) Oil level

CLUTCH

Disconnect the engine from the gear box and check the clutch condition every 100 hours of use. Wipe off oil attached to the drum and shoes, and replace parts with a new one if found to be worn.

5. Storage

■ Before Long-term Storage

- Drain fuel tank and run engine out until all fuel in the carburetor is used up.
- Remove the spark plug and drop a spoonful 2 cycle oil into the cylinder. Crank the engine several times and replace the plug.
Pull starter until compression is felt.
- Brush off dirt from the drill surface and apply rust protective oil.
- Store the machine in a dry, dust-free place.

6. Specifications

Model Name	AG4300
Engine	
Displacement cu.in(cc)	2.53 (41.5)
Maximum power kW(HP)	1.5 (2.0) at 7000 rpm
Carburetor	Diaphragm type (Walbro WYK)
ignition system	Electric (T.C.I)
Spark plug	NGK BPMR7A
Starter	Recoil starter
Fuel	2 cycle oil premixed gasoline (50:1) (when using ZENOAH genuine oil)
Fuel tank capacity fl.oz(lit)	32 (0.94)
Transmission	Centrifugal clutch, worm gear reduction
Gear box lubricant	Gear oil SAE#80-90
Reduction ratio	45:1
Grip span in (mm)	21.2 (540)
Over all dimensions	
Length in (mm)	24.8 (630)
Width in (mm)	14.4 (359)
Height w/o drill in (mm)	11.7 (292)
Dry weight w/o drill lds (kg)	19.3 (8.9)
Adaptable drill size	
Diameter in (mm)	0.8 to 8 (20 to 200)

Specifications are subject to change without notice.

POWER AUGER

AG4300

NOTE :

1. Use KOMATSU ZENOAH genuine parts as specified in the parts list for repair and/or replacement.
2. KOMATSU ZENOAH does not warrant the machines, which have been damaged by the use of any parts other than those specified by the company.
3. When placing parts orders for repair and/or replacement, check if the model name and the serial number are applicable to those specified in the parts list, then use parts number described in the parts list.
4. The contents described in the parts list may change due to improvement.
5. The parts for the machine shall be supplied seven (7) years after the machine is discontinued. [It is possible that some specific parts may be subject to change of their delivery term and list price within the limit of ten (7) years after the machine is discontinued. It is also possible that some parts may be available even after the limit of seven (7) years.]

APPLICABLE SERIAL NUMBERS : 100101 and up

July. 2001

7. Parts list

Fig.1 ENGINE UNIT AG4300 (S/N 100101 and up)

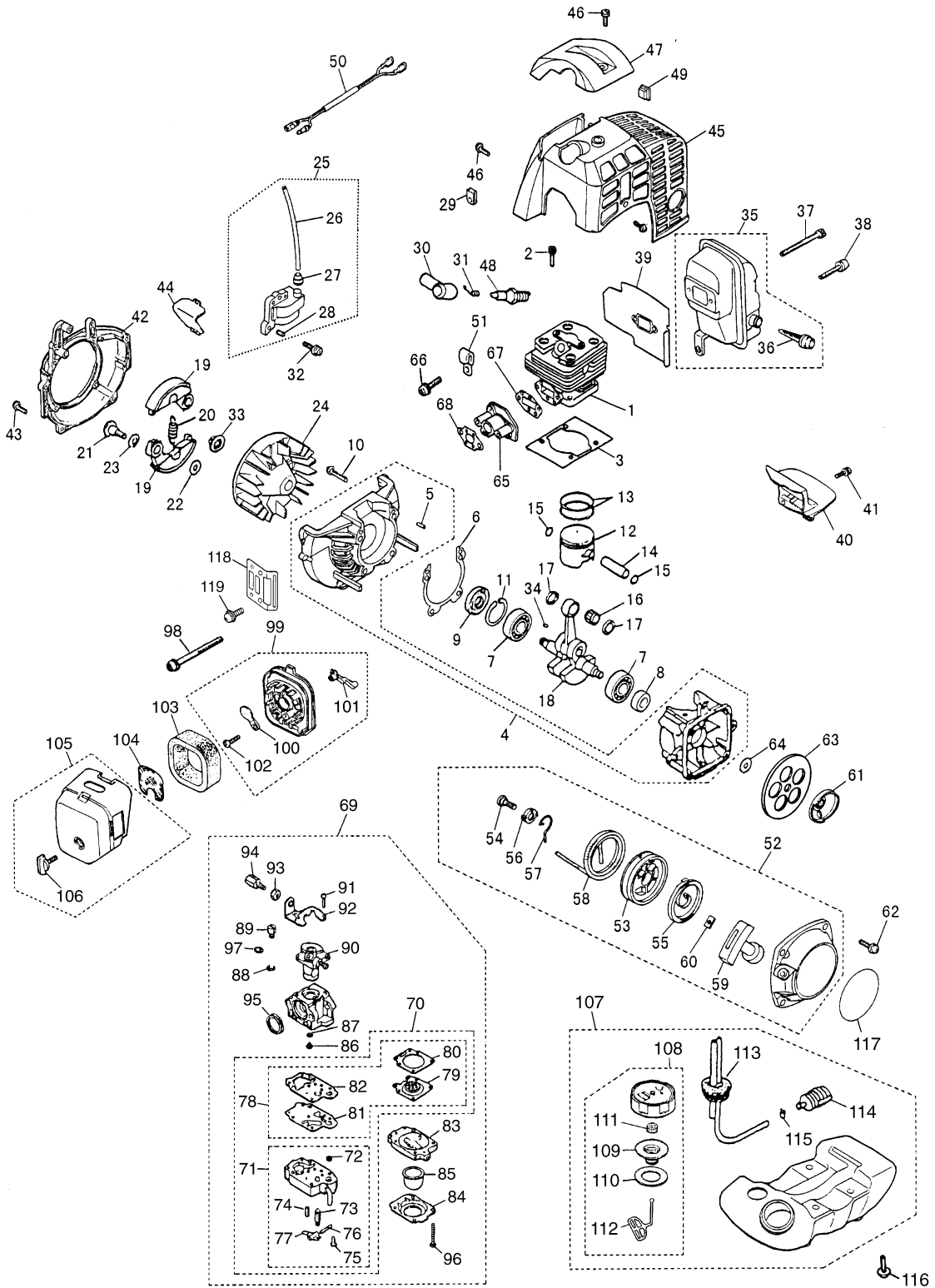


Fig.1 ENGINE UNIT AG4300 (S/N 100101 and up)

Key#	Description	Part Number	Q'ty	Key#	Description	Part Number	Q'ty
1	CYLINDER	848-G6D-12A0	1	61	PULLEY	4500-75210	1
2	BOLT	1850-12130	4	62	SCREW	4500-75511	4
3	GASKET,base	4500-13120	1	63	PLATE	4500-75310	1
4	CRANKCASE COMP.	4500-21101	1	64	WASHER	01643-30823	1
5	• PIN	2629-21130	3	65	INSULATOR	4500-13161	1
6	GASKET,case	4500-21140	1	66	SCREW	4500-13181	2
7	BEARING	06030-06201	2	67	GASKET,insulator	4500-13150	1
8	OIL SEAL	4810-21210	1	68	GASKET,carburetor	4500-13130	1
9	OIL SEAL	1650-21220	1	69	CARBURETOR ASS'Y	T1007-81000	1
10	BOLT	01252-30530	4	70	• REBUILT KIT	5602-06030	1
11	SNAP RING	04065-03212	1	71	•• BODY ASS'Y	1850-81450	1
12	PISTON	4500-41110	1	72	••• SCREEN	_____	-
13	RING	1400-41220	2	73	••• VALVE	_____	-
14	PIN	2850-41310	1	74	••• SPRING	_____	-
15	RING	1300-41320	2	75	••• SCREW	_____	-
16	BEARING	T2100-41410	1	76	••• PIN	_____	-
17	WASHER	2850-41510	2	77	••• LEVER	_____	-
18	CRANKSHAFT COMP.	4500-42000	1	78	•• GASKET KIT	5602-06020	1
19	SHOE,clutch	4500-51111	2	79	••• DIAPHRAGM	_____	-
20	SPRING	4500-51220	1	80	••• GASKET,diaphragm	_____	-
21	SCREW	1200-51211	2	81	••• DIAPHRAGM,pump	_____	-
22	WASHER	1200-51230	2	82	••• GASKET,pump	_____	-
23	WASHER	1200-51241	2	83	• BODY,purge	1850-81490	1
24	ROTOR	4500-71110	1	84	• COVER,pump	1850-81520	1
25	COIL ASS'Y	4500-71200	1	85	• PUMP,priming	1751-81510	1
26	• CORD	4500-71220	1	86	• JET	T1007-81250	1
27	• CAP	2616-71320	1	87	• O-RING	1751-81240	1
28	• PIN	3356-21130	2	88	• RING	1751-81130	1
29	GROMMET	5500-72130	1	89	• SWIVEL	1881-81140	1
30	CAP,plug	5500-72110	1	90	• VALVE ASS'Y	_____	1
31	SPRING	1900-72120	1	91	• SCREW	1752-81110	2
32	BOLT	4500-72150	2	92	• BRACKET	5500-81120	1
33	NUT	1650-43230	1	93	• NUT,adjuster	1751-81180	1
34	KEY	1000-43240	1	94	• SCREW,adjuster	1918-81170	1
35	MUFFLER ASS'Y	T1007-15100	1	95	• RING	1881-81130	1
36	• ARRESTER	1601-15120	1	96	• SCREW	1850-81530	4
37	BOLT	01252-30565	2	97	• WASHER	5500-81160	1
38	BOLT	3310-31720	1	98	SCREW	0263-90550	2
39	GASKET,muffler	4700-15211	1	99	BODY ASS'Y	4500-82100	1
40	PLATE,muffler	4500-15221	1	100	• PLATE,choke	4500-82130	1
41	SCREW	0263-90514	1	101	• LEVER,choke	4500-82140	1
42	COVER	4500-31110	1	102	• SCREW	2630-33610	1
43	BOLT	3310-12281	4	103	ELEMENT	4500-82170	1
44	PLATE	4500-31210	1	104	SCREEN	4500-82180	1
45	COVER	4500-32110	1	105	COVER ASS'Y	4500-82202	1
46	SCREW	4500-32120	4	106	• KNOB	5500-82221	1
47	GUARD	4500-32210	1	107	TANK ASS'Y	T1015-85004	1
48	SPARKPLUG	5602-73110	1	108	• CAP ASS'Y	T1015-85202	1
49	GROMMET	1852-72121	1	109	•• HOLDER-A	4500-85300	1
50	CORD COMP.	T1007-73200	1	110	•• PACKING	4500-85220	1
51	CLAMP	848-8K4-0010	1	111	•• FILTER	5601-85260	1
52	RECOIL ASS'Y	T1123-75100	1	112	•• STOPPER	4820-85260	1
53	• REEL	4500-75120	1	113	• PIPE COMP.	T1015-85300	1
54	• SCREW	4500-75150	1	114	• FILTER ASS'Y	3302-85400	1
55	• SPRING,spiral	1850-75130	1	115	• CLIP	1260-85460	1
56	• COLLAR	4500-75180	1	116	SCREW	1600-86120	4
57	• ARM	4500-75190	1	117	LABEL	T1133-75411	1
58	• ROPE	4500-75160	1	118	GUARD	4500-22110	1
59	• KNOB	1140-75320	1	119	SCREW	0263-90514	1
60	• PLATE,stopper	5500-75170	1				

7. Parts list

Fig.2 DRILL and ACCESSORY GROUP AG4300 (S/N 100101 and up)

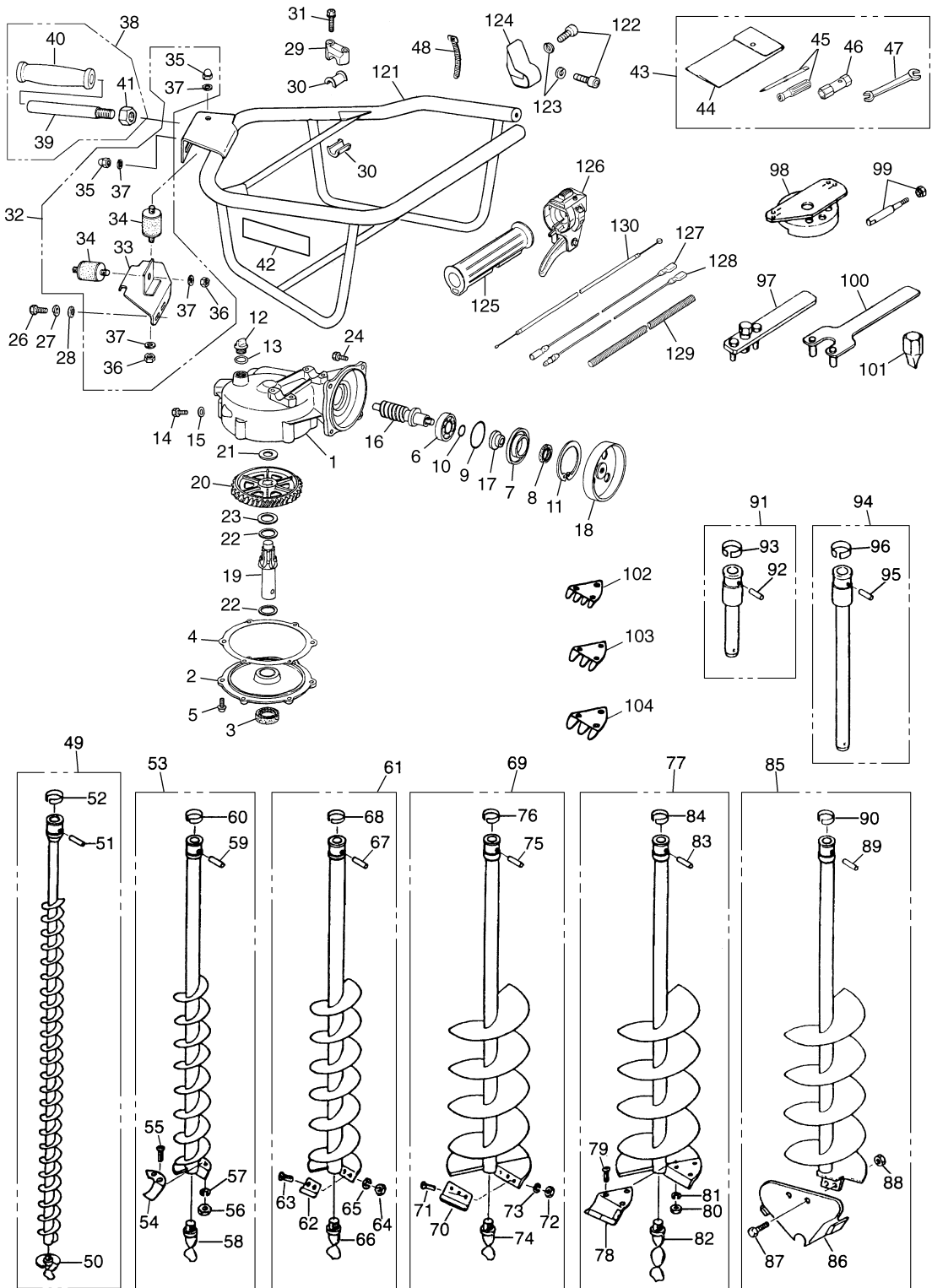


Fig.2 DRILL and ACCESSORY GROUP AG4300 (S/N 100101 and up)

Key#	Part Number	Description	Q'ty	Key#	Part Number	Description	Q'ty
1	3209-11103	Gear Case Comp	1	61	3206-52200	S90 Drill Ass'y (3.5in dia.)	1
2	3209-11203	Cover Comp	1	62	3206-52220	• Tip, S90	1
3	1800-21281	Oil Seal	1	63	01225-40620	• Screw	2
4	3202-11260	Gasket	1	64	0280-10605	• Nut	2
5	0260-30620	Screw	6	65	0290-20615	• Washer	2
6	06000-06304	Bearing	1	66	3206-52330	• Bit	1
7	3202-11311	Retainer	1	67	3200-51130	• Pin	1
8	3202-11320	Oil Seal	1	68	3200-51140	• Clip	1
9	3200-11330	O-Ring	1	69	3206-52300	S150 Drill Ass'y (5.9in dia.)	1
10	07000-02012	O-Ring	1	70	3206-52320	• Tip, S150	1
11	04065-06220	Snap Ring	1	71	01225-40620	• Screw	3
12	3202-11361	Plug	1	72	0280-10605	• Nut	3
13	2510-23230	O-Ring	1	73	0290-20615	• Washer	3
14	0224-40610	Bolt	1	74	3206-52330	• Bit	1
15	3010-31380	Gasket	1	75	3200-51130	• Pin	1
16	3205-21110	Worm	1	76	3200-51140	• Clip	1
17	3200-21121	Collar	1	77	3206-52400	S200 Drill Ass'y (7.9in dia.)	1
18	3200-21130	Drum	1	78	3202-52420	• Tip, S200	1
19	3206-21210	Shaft	1	79	01225-40620	• Screw	3
20	3205-21220	Wheel	1	80	0280-10605	• Nut	3
21	3200-21230	Washer	1	81	0290-20615	• Washer	3
22	3202-21240	Washer	2	82	3206-52330	• Bit	1
23	3200-21250	Shim	0~3	83	3200-51130	• Pin	1
24	6468-91150	Bolt	4	84	3200-51140	• Clip	1
				85	3206-61100	L150 Drill Ass'y (5.9in dia.)	1
26	01010-50620	Bolt	2	86	3206-61120	• Blade	2
27	01602-20619	Washer	2	87	6468-91150	• Bolt	2
28	01643-30623	Washer	2	88	0280-10605	• Nut	1
29	3209-31123	Holder	2	89	3200-51130	• Pin	1
30	3206-31130	Spacer	4	90	3200-51140	• Clip	1
31	0225-50630	Bolt	4	91	3204-53100	L100 Joint Ass'y	1
32	3206-31202	Bracket Ass'y	1	92	3200-51130	• Pin	1
33	3206-31212	• Bracket	1	93	3200-51140	• Clip	1
34	3206-31220	• Mount	2	94	3204-53200	L300 Joint Ass'y (11.8in.)	1
35	1000-15150	• Nut	2	95	3200-51130	• Pin	1
36	0280-10605	• Nut	2	96	3200-51140	• Clip	1
37	0290-20615	• Washer	4	97	1075-96100	Puller Ass'y	1
38	3204-31300	Left Handle Comp	1	98	1400-96210	Set Block	1
39	3204-31310	• Handle-L	1	99	1400-96300	Rod Ass'y	1
40	4050-14220	• Grip	1	100	3206-91610	Spanner	1
41	0281-11411	• Nut	1	101	3206-91620	Rod	1
42	T4507-12511	Name Plate	1	102	3206-53430	Tip, S300	1
43	3206-91001	Tool set	1	103	3206-53410	Tip, S200	1
44	3541-91110	• Bag	1	104	3206-53420	Tip, S250	
45	1030-91340	• Screwdriver	1				
46	3239-91310	• Socket	1				
47	3540-91120	• Spanner	1	121	T4502-31110	Frame	1
48	3540-93120	Band	1	122	01252-31025	bolt	2
49	3202-51102	S40 Drill Ass'y (1.6in dia.)	1	123	01602-21030	Washer	2
50	3202-51121	• Bit	1	124	T4502-31120	Bracket, Frame	1
51	3200-51130	• Pin	1	125	3577-32141	Grip	1
52	3200-51140	• Clip	1	126	848-8R2-0314	Lever	1
53	3206-52100	S60 Drill Ass'y (2.4in dia.)	1	127	T4502-73220	Cord	1
54	3202-52121	• Tip, S60	1	128	T4502-73230	Cord	1
55	01225-40620	• Screw	2	129	T4502-73240	Tube	1
56	0280-10605	• Nut	2	130	T4502-83100	Cable Comp	
57	0290-20615	• Washer	2				
58	3206-52330	• Bit	1				
59	3200-51130	• Pin	1				
60	3200-51140	• Clip	1				

RedMax LIMITED WARRANTY

EMISSION-RELATED PARTS, FOR TWO (2) YEARS FROM THE DATE OF ORIGINAL DELIVERY OF THE UNIT, RedMax / KOMATSU ZENOAH AMERICA, INC., THROUGH ANY RedMax DEALER, WILL REPAIR OR REPLACE, FREE OF CHARGE, FOR THE ORIGINAL AND EACH SUBSEQUENT PURCHASER, ANY PART OR PARTS FOUND TO BE DEFECTIVE IN MATERIAL AND/OR WORKMANSHIP.

EMISSION-RELATED PARTS ARE:

**THE CARBURETOR ASSEMBLY, COIL ASSEMBLY, ROTOR, SPARKPLUG,
AIR FILTER, FUEL FILTER, INTAKE MANIFOLD, AND THE GASKETS**

ALL OTHER PARTS EXCEPT ABOVE PARTS, FOR TWO (2) YEARS OF USE, 90 DAYS FOR RENTAL USE, FROM THE DATE OF ORIGINAL PURCHASE, THE COMPANY, THROUGH ANY RedMax DEALER, WILL REPAIR OR REPLACE, FREE OF CHARGE, FOR THE ORIGINAL PURCHASER, ANY PART OF PARTS FOUND TO BE DEFECTIVE IN MATERIAL AND/OR WORKMANSHIP. **THIS IS THE EXCLUSIVE REMEDY.**

THE PURCHASER SHALL BEAR COSTS OF TRANSPORTING THE UNIT TO AND FROM THE RedMax DEALER.

THE PURCHASER SHALL NOT BE CHARGED FOR DIAGNOSTIC LABOR WHICH LEADS TO THE DETERMINATION THAT A WARRANTED PART IS DEFECTIVE, IF THE DIAGNOSTIC WORK IS PERFORMED AT THE RedMax DEALER.

THE PURCHASER OR OWNER IS RESPONSIBLE FOR THE PERFORMANCE OF THE REQUIRED MAINTENANCE AS DEFINED BY THE MANUFACTURER IN THE OWNER/OPERATOR MANUAL.

ANY WARRANTED PART WHICH IS NOT SCHEDULED FOR REPLACEMENT AS REQUIRED MAINTENANCE, OR WHICH IS SCHEDULED ONLY FOR REGULAR INSPECTION TO THE EFFECT OF "REPAIR OR REPLACE AS NECESSARY" SHALL BE WARRANTED FOR THE WARRANTY PERIOD. ANY WARRANTED PART WHICH IS SCHEDULED FOR REPLACEMENT AS REQUIRED MAINTENANCE SHALL BE WARRANTED FOR THE PERIOD OF TIME UP TO THE FIRST SCHEDULED REPLACEMENT POINT FOR THE PART.

ANY REPLACEMENT PART THAT IS EQUIVALENT IN PERFORMANCE AND DURABILITY MAY BE USED IN NON-WARRANTY MAINTENANCE OR REPAIRS, AND SHALL NOT REDUCE THE WARRANTY OBLIGATION OF THE COMPANY.

THE COMPANY IS LIABLE FOR DAMAGES TO OTHER ENGINE COMPONENTS CAUSED BY THE FAILURE OF A WARRANTED PART STILL UNDER WARRANTY.

THE WARRANTY DOES NOT APPLY TO THOSE UNITS WHICH HAVE BEEN DAMAGED BY NEGLIGENCE OF INSTRUCTION LISTED IN THE OWNER/OPERATOR MANUAL FOR PROPER USE AND MAINTENANCE OF THE UNITS, ACCIDENTAL MISHANDLING, ALTERATION, ABUSE, IMPROPER LUBRICATION, USE OF ANY PARTS OR ACCESSORIES OTHER THAN THOSE SPECIFIED BY THE COMPANY, OR OTHER CAUSES BEYOND THE COMPANY'S CONTROL.

THIS WARRANTY DOES NOT COVER THOSE PARTS REPLACED BY NORMAL WEAR OR HARMLESS CHANGES IN THEIR APPEARANCE.

THERE ARE NO OTHER EXPRESS WARRANTIES.

IMPLIED WARRANTIES INCLUDING THOSE OF MERCHANTABILITY AND FITNESS FOR A PARTICULAR PURPOSE **ARE LIMITED** TO TWO (2) YEARS OF USE FROM THE ORIGINAL DELIVERY DATE.

LIABILITIES FOR INCIDENTAL OR CONSEQUENTIAL DAMAGE UNDER ANY AND ALL WARRANTIES ARE EXCLUDED.

SOME STATES DO NOT ALLOW LIMITATION ON HOW LONG AN IMPLIED WARRANTY LASTS OR EXCLUSION OR LIMITATION OF INCIDENTAL OR CONSEQUENTIAL DAMAGES, SO THE ABOVE LIMITATION OR EXCLUSION MAY NOT APPLY TO YOU.

THIS WARRANTY GIVES YOU SPECIFIC LEGAL RIGHTS, AND YOU MAY ALSO HAVE OTHER RIGHTS WHICH VARY FROM STATE TO STATE.

IF YOU NEED TO OBTAIN INFORMATION ABOUT THE NEAREST SERVICE CENTER, PLEASE CALL RedMax / KOMATSU ZENOAH AMERICA, INC. AT (770)-381-5147.

IMPORTANT: YOU WILL RECEIVE A WARRANTY REGISTRATION CARD AT TIME OF PURCHASE. PLEASE FILL OUT THE CARD AND SEND IT TO RedMax / KOMATSU ZENOAH AMERICA WITHIN SEVEN (7) DAYS. BE SURE TO KEEP A COPY FOR YOUR RECORDS.



KOMATSU ZENOAH AMERICA INC.
4344 Shackelford Road Suite 500
Norcross, Georgia 30093

RedMax Garantie limitée

Pièces en rapport avec les émissions de gaz d'échappement : RedMax / KOMATSU ZENOAH AMERICA, INC., par l'intermédiaire de n'importe quel revendeur RedMax, réparera gratuitement ou remplacera gratuitement pour l'acheteur initial et chaque acheteur successif toute(s) pièce(s) se révélant de constitution et/ou de montage défectueux pendant deux (2) ans à compter de la date initiale de livraison d'une unité.

Les pièces en rapport avec les émissions de gaz d'échappement sont:

**l'assemblage carburateur, l'assemblage bobine, le rotor, la bougie,
le filtre à air, le filtre à carburant, la tubulure d'admission et les joints**

Toutes les pièces autres que celles mentionnées ci-dessus, deux (2) ans d'utilisation, 90 jours pour la location, à compter de la date d'achat initial. La société, par l'intermédiaire d'un distributeur RedMax, réparera ou remplacera toute(s) pièce(s), sans frais et au bénéfice de l'acheteur original, en prenant en charge les frais de pièces et/ou de main d'œuvre. **Telles sont les limites de la garantie.**

Le coût du transport de l'unité jusqu'au revendeur RedMax et depuis celui-ci sera à la charge de l'acheteur.

L'acheteur ne supportera pas le coût de main d'œuvre du diagnostic qui amène à la conclusion qu'une pièce garantie est défectueuse, si ce diagnostic est effectué chez le revendeur RedMax.

L'acheteur ou propriétaire a pour responsabilité d'effectuer l'entretien obligatoire tel que défini par le fabricant dans le manuel du propriétaire/de l'utilisateur.

Toute pièce garantie dont le remplacement n'est pas prévu dans le cadre de l'entretien obligatoire, ou pour laquelle est seulement prévue une inspection périodique pour "remplacement ou réparation si nécessaire" sera garantie pour la période de garantie. Toute pièce garantie arrivée à l'échéance de son premier remplacement prévu sera garantie jusqu'à celui-ci.

Toute pièce de rechange équivalente en performance ou en durabilité peut être utilisée pour l'entretien hors-garantie ou les réparations hors-garantie, et ce sans réduire l'obligation de garantie incombant à la société.

La société sera tenue responsable des dommages aux autres composants du moteur causés par la défaillance de pièce(s) garantie(s) en période de garantie.

La garantie ne s'applique pas aux unités endommagées par suite de: négligence dans la mise en oeuvre des instructions spécifiées dans le manuel du propriétaire/de l'utilisateur en vue d'une utilisation et d'un entretien correct, fausse manœuvre accidentelle, modification, utilisation abusive, lubrification incorrecte, utilisation de pièces ou d'accessoires autres que ceux spécifiés par la société, ou autres causes hors du contrôle de la société.

Cette garantie ne couvre pas les pièces remplacées en raison de leur usure normale ou de changements d'apparence sans effets.

Il n'existe aucune autre garantie explicite.

Les garanties implicites, y compris la valeur marchande et la valeur d'usage pour une utilisation particulière, **sont limitées** à deux (2) ans d'utilisation à compter de la date originale de livraison.

Les responsabilités pour les dommages conséquents ou incidents sont exclues de toutes les garanties.

Certaines provinces n'autorisant pas les limitations à la durée des garanties implicites, ou les exclusions ou limitations relatives aux dommages incidents ou conséquents, la limitation indiquée ci-dessus peut ne pas vous être applicable.

Cette garantie vous donne des droits juridiques spécifiques, et vous pouvez également jouir d'autres droits variant d'une province à l'autre.

Si vous désirez obtenir des informations sur le centre de service le plus proche, veuillez appeler RedMax / KOMATSU ZENOAH AMERICA, INC. au (770)-381-5147

Note importante: vous recevrez une carte d'enregistrement de garantie au moment de l'achat. Veuillez la remplir et l'adresser à RedMax / KOMATSU ZENOAH AMERICA sous sept (7) jours en prenant soin de conserver une copie pour vous.



KOMATSU ZENOAH AMERICA INC.
4344 Shackelford Road Suite 500
Norcross, Georgia 30093



KOMATSU ZENOAH AMERICA INC.
4344 Shackleford Road Suite 500
Norcross, Georgia 30093

© Printed in Japan

Free Manuals Download Website

<http://myh66.com>

<http://usermanuals.us>

<http://www.somanuals.com>

<http://www.4manuals.cc>

<http://www.manual-lib.com>

<http://www.404manual.com>

<http://www.luxmanual.com>

<http://aubethermostatmanual.com>

Golf course search by state

<http://golfingnear.com>

Email search by domain

<http://emailbydomain.com>

Auto manuals search

<http://auto.somanuals.com>

TV manuals search

<http://tv.somanuals.com>