

# AquaTio™

HEALTHY WATER SYSTEM



Model No. W15120  
Use & Care Guide

**WARNING:** TO PREVENT PERSONAL INJURY OR PROPERTY DAMAGE, READ AND FOLLOW THE INSTRUCTIONS AND WARNINGS IN THIS USE AND CARE GUIDE.

# Thank You

Congratulations on your decision to purchase the  
**AquaVié™ Healthy Water System.**

We appreciate your confidence and believe that you will find this system easy to use and cost efficient for your household's water needs.

The **AquaVié™ Healthy Water System** will provide cleaner, good tasting water balanced with calcium and magnesium which are key to protecting your health.

Water produced by the **AquaVié™ Healthy Water System** will quench your thirst with a natural approach.

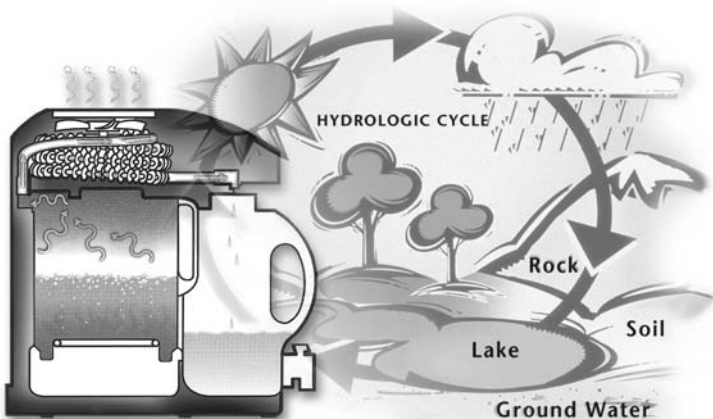
Just as nature recycles water through the hydrologic cycle, AquaVié™ mimics that process with a vapor distillation cycle.

Water is boiled, steam rises from the boiling water, and the rising steam is 99.9% free from contaminants.

The steam is then cooled and the resulting condensed water flows through a dispenser that adds minerals back to your water for stronger bones and a healthier heart.

*Take control of your family's drinking water, starting today!*

*AquaVié™ ...water for life!*



# Table of Contents

|   |     |
|---|-----|
| Important Safeguards .....                      | 1   |
| Specifications .....                            | 2   |
| Prepare Your AquaVié™ Healthy Water System      |     |
| Clean the Water Bottle .....                    | 3   |
| Sanitize the Water Bottle .....                 | 3   |
| Prepare the Mineral Dispenser .....             | 3-4 |
| Instructions For Making AquaVié™ Water .....    | 4-6 |
| Cleaning Instructions                           |     |
| Boiling Chamber .....                           | 6-7 |
| Water Bottle .....                              | 7   |
| Outside Surfaces .....                          | 7   |
| Mineral Dispenser .....                         | 7   |
| Troubleshooting Guide .....                     | 7-9 |
| Warranty and Customer Service Information ..... | 9   |

# IMPORTANT SAFEGUARDS

---

Use electricity safely and wisely. Observe safety precautions when using your AquaVié™ Healthy Water System, including the following:

- Read all instructions before using.
- Do not run the AquaVié™ unit without water in the boiling chamber. Permanent damage to the boiling chamber could occur.
- Make sure the cap is removed on the water bottle and that the water bottle is properly placed on the base of the AquaVié™ unit chassis before starting the AquaVié™ Healthy Water System.
- Do not remove the water bottle or the boiling chamber while the AquaVié™ Healthy Water System is running.
- No part of the AquaVié™ unit should be moved while the AquaVié™ Healthy Water System is in operation.
- Always allow the boiling chamber to cool before removing it from the AquaVié™ unit.
- Do not let the cord touch hot surfaces or hang over the edge of a counter or table.
- Do not use the AquaVié™ Healthy Water System if it or its cord is damaged or not working properly. Return the unit to Regal Ware, Inc. for examination and/or repair.
- Avoid using extension cords.
- Your AquaVié™ Healthy Water System, its boiling chamber, cord and plug should not be immersed in any liquids, placed near a hot gas or electric burner or in a heated oven.
- The AquaVié™ Healthy Water System is not intended for and should not be used by children or infirm persons without supervision. Children should be supervised during operation of the AquaVié™ Healthy Water System to ensure proper safety.
- Do not use the AquaVié™ Healthy Water System outdoors.
- Use your AquaVié™ Healthy Water System only for the uses described in these instructions.

---

## SAVE THESE INSTRUCTIONS

Keep your AquaVié™ Healthy Water System unit clean and replace the mineral dispenser as recommended for ultimate performance. **Do not attempt to repair the AquaVié™ unit yourself.** If servicing should become necessary, please contact Regal Ware, Inc. at 866-365-5339.

## SPECIFICATIONS

The AquaVié™ system is designed and intended for household use only. The AquaVié™ Healthy Water System conforms to the WQA S-400 standard for the stated performance claims. The system water production rate is 1 gallon per 4 hours and has the product water storage capacity of 1 gallon.

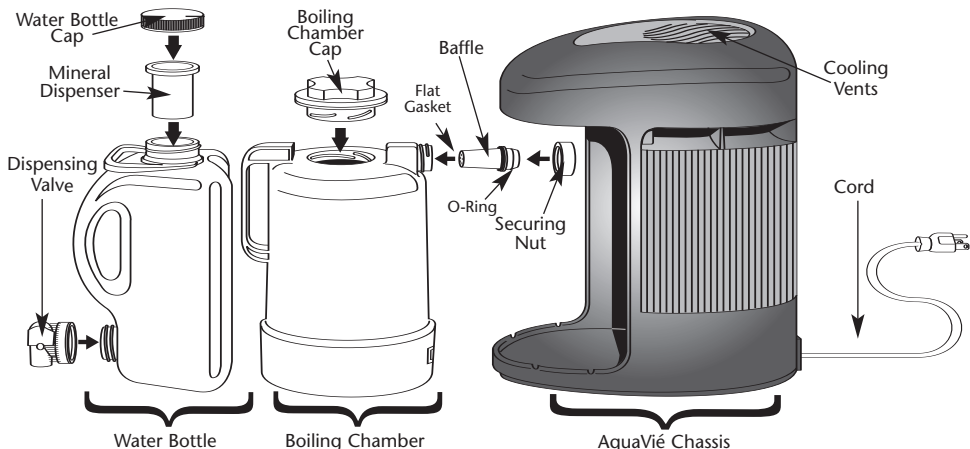
**Model: AVHWS W15120. Maximum Production rate: 5.5 U.S. gallons per day**

| Model  | Volts=V | Hertz=Hz | Watts=W | AMPS   | Cycle Time (hours) | Operation Temperature      |
|--------|---------|----------|---------|--------|--------------------|----------------------------|
| W15120 | 120 V   | 60 Hz    | 750 W   | 6 AMPS | 4.25               | 40°F-110°F<br>(5°C - 45°C) |

### Electric Cord Statement

**CAUTION:** Your AquaVié™ Healthy Water System unit has a short cord as a safety precaution to prevent injury or property damage resulting from pulling, tripping or becoming entangled with the cord. Do not allow children to be near this AquaVié™ unit without close adult supervision. If you must use an extension cord with this unit, the cord must be arranged so that it will not drape or hang over the edge of a countertop or tabletop where it can be pulled on by children or tripped over. To prevent electric shock, injury or fire, the electrical rating of the extension cord you use must be the same as or more than wattage of the AquaVié™ unit (wattage is indicated on the bottom of the unit). Plug the AquaVié™ unit into rated voltage AC grounded electric outlet ONLY (rated voltage found on bottom of unit). The cord has a three-prong plug which mates with a standard three-prong grounded wall outlet. Do not cut or remove the third prong from the plug. If an adapter is used, be sure adapter wire and wall outlet are grounded. If there is any doubt as to whether the outlet is properly grounded, check with a licensed electrician. Unplug the AquaVié™ Healthy Water System unit when not in use.

**CAUTION:** To prevent personal injury or electric shock, do not immerse the AquaVié™ Healthy Water System unit, boiling chamber, its cord, or plug in water or any other liquid.



## HOW TO PREPARE YOUR AquaVié™ HEALTHY WATER SYSTEM UNIT

Before using your AquaVié™ Healthy Water System unit for the first time, please follow the steps below.

### CLEAN THE WATER BOTTLE

First, make sure the dispensing valve is installed and tightened onto the water bottle. Then fill the water bottle about  $\frac{3}{4}$  full with water. Add one or two drops of dish detergent to the water. **Do not install the mineral dispenser at this time.** Seal the bottle's top opening with the cap supplied. Shake the bottle vigorously and then drain. Rinse the bottle thoroughly to remove all of the detergent.

**NOTE:** Do not allow the soap/water mixture to remain in the water bottle for long periods of time. Do not use the water bottle to store liquids other than distilled water. Liquids other than distilled water may transfer a taste or odor to the water bottle.

### TO SANITIZE WATER BOTTLE

Add  $4\frac{3}{4}$  ounces (150 ml) of 3% hydrogen peroxide solution ( $H_2O_2$ ) to the water bottle. Fill the bottle with hot ( $160^\circ F/71^\circ C$ ) distilled or tap water. **Do not install the mineral dispenser at this time.** Cap the water bottle and shake the vigorously. Let stand for twenty minutes then drain thoroughly. Rinse with room temperature distilled or tap water, then drain. Water bottle may be used immediately or allowed to air dry.

### PREPARE THE MINERAL DISPENSER

To prepare the mineral dispenser, rinse it under cold running tap water for 30 seconds. Drain excess water from dispenser. Place the mineral dispenser into the water bottle. The same cleaning process should be used whenever a new replacement mineral dispenser is installed. The rinsing process will help remove

any carbon dust that formed as a result of shipping. It will also remove any air bubbles present in the carbon. Failure to complete this step may result in water not flowing through the mineral dispenser. If carbon dust appears in your reservoir after your first cycle, discard (*water is safe to use for plant watering*).

Your AquaVié™ Healthy Water System unit is now ready for use.

**NOTE:** For healthier, great tasting water, replace your mineral dispenser after producing 20 gallons of AquaVié™ water —about once a month for the average family.

## INSTRUCTIONS FOR PRODUCING AquaVié™ WATER

1. Place your AquaVié™ unit on a dry, level surface in a well ventilated area. Plug the cord into a properly grounded rated voltage AC electrical outlet ONLY.

**NOTE:** Be sure to place the AquaVié™ unit in a location that provides adequate ventilation during operation, with at least 4 inches (10 cm) of clearance to the sides and back, and 3 inches (8 cm) to the top of the unit. Do not operate the AquaVié™ unit in an enclosed area such as a cupboard or cabinet. The unit must be operated in air temperatures of 40°F-110°F (5°C-45°C).

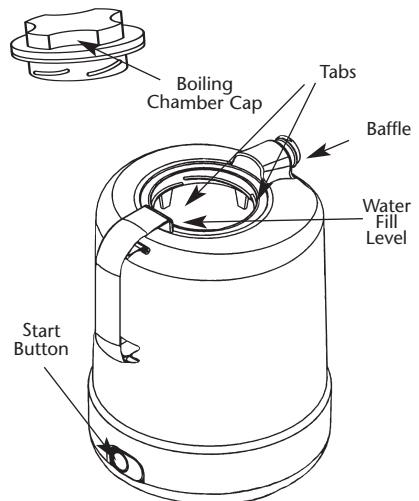
2. Remove the boiling chamber from the unit by grasping its handle and pulling it straight out of the AquaVié™ chassis. Do not lift up when pulling the boiling chamber out of the chassis.

**CAUTION:** To prevent personal injury, burn and/or scald injury, do not remove the boiling chamber until it has cooled completely.

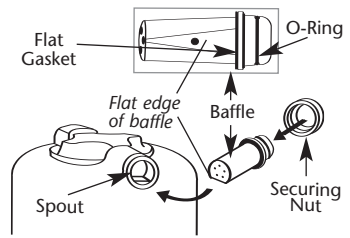
3. Remove the boiling chamber's cap by turning it counterclockwise. Note the four tabs at the base of the boiling chamber's fill opening.

4. Fill the boiling chamber with cold tap water to the bottom of the four tabs which equals 1 gallon (4 liters). **Do not overfill the boiling chamber. Over-filling the boiling chamber may result in leakage, electrical failure, electrical hazard, or damage to the AquaVié™ unit.**

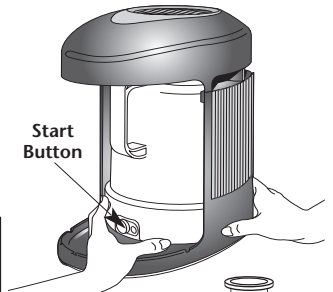
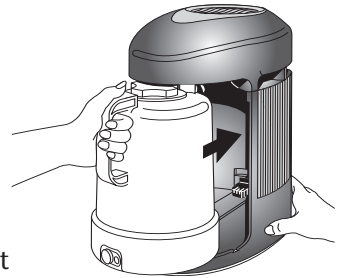
5. Replace the boiling chamber's cap by turning it clockwise.
6. Make sure the baffle is in place and its securing nut is tightened. To do this, insert the long end of the



baffle, flat side down into the spout and secure with the nut. The hole on the flat side of the baffle should be facing down. It is important that you tighten the securing nut, with baffle properly in place, onto the boiling chamber before each use. Failure to properly secure the baffle and nut may result in leakage or early shut off of the AquaVié™ unit.



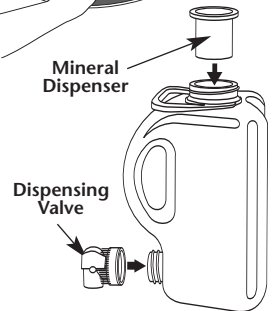
7. Wipe off any water on the outside and bottom of the boiling chamber and around the electrical connection.
8. Slide the boiling chamber into the chassis and press firmly to ensure that it is properly placed. It is important that the boiling chamber be pressed firmly into the chassis. It is recommended that you place one hand on the back of the chassis and push the boiling chamber into the chassis with the other hand. To ensure that a tight electrical connection is made, also press on the base of the boiling chamber near the start button.



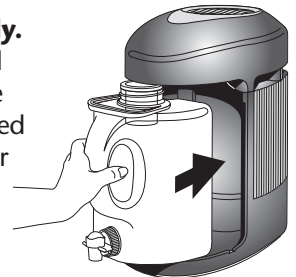
**CAUTION:** To prevent personal injury or property damage the boiling chamber must be fully engaged prior to start-up.

9. Press the “start” button at the base of the boiling chamber.

**NOTE:** The button will glow when the boiling chamber is heating; however, the light will go out, and the boiling chamber will stop heating if electrical power to the boiling chamber is interrupted or stopped. If this occurs, press the start button again to restart the cycle.



10. **The cooling fan will not start immediately.** A delayed fan startup feature has been included in your AquaVié™ system. The fan will start once the boiling chamber has reached a pre-determined temperature, approximately 30-40 minutes after starting the cycle.





11. Place a prepared mineral dispenser (see page 3) into the opening at the top of the water bottle. **Do not install cap onto water bottle.** The bottle must be left uncapped to allow water to enter it from the AquaVié™ unit.
12. Make sure that the dispensing valve is securely tightened onto the water bottle.
13. The base of the AquaVié™ chassis has raised edges to assist in positioning the water bottle properly. Place the water bottle on the base of the chassis.

**NOTE: Do not remove the water bottle while the AquaVié™ unit is running.**

14. When the AquaVié™ Healthy Water System cycle is complete (about 4 to 4½ hours), the AquaVié™ unit will shut off automatically and the “start” light will go out. The fan will continue to operate for several minutes. **Let the unit cool completely before removing the boiling chamber from the chassis.**
15. Unplug cord from wall outlet when not in use.

**NOTE:** Approximately 8 ounces (240 ml) of water will remain in the boiling chamber at the end of the AquaVié™ Healthy Water System cycle. This feature reduces scale deposits in the boiling chamber.

**CAUTION:** To prevent personal injury, burn and/or scald injury, do not remove the boiling chamber while the start button is illuminated or at any time when the boiling chamber is hot. Always unplug the AquaVié™ unit from the wall outlet and allow the boiling chamber to cool completely before removing it from the unit.

**NOTE:** The water bottle has been designed to hold one gallon (4 liters) of water and to provide enough space so that the mineral dispenser does not remain in contact with AquaVié™ system water. Therefore, the water bottle will not fill completely.

Once the AquaVié™ system cycle is complete, the water bottle may be placed in the refrigerator and used to dispense the distilled water. The filter may be left in the water bottle or removed and stored until the next time the AquaVié™ system cycle is run. Secure the cap onto the water bottle to avoid spilling. The cap must be opened slightly before dispensing water. It is recommended that the water bottle NOT be placed in a freezer as the handle may become brittle and crack.

# CLEANING INSTRUCTIONS

**CAUTION:** To prevent personal injury or electric shock, do not immerse the AquaVié™ Healthy Water System unit, its boiling chamber, cord or plug in water or other liquid.

Do not use alkaline cleaning agents when cleaning. Use a soft cloth and mild detergent.

## BOILING CHAMBER

**Rinse the boiling chamber after every AquaVié™ Healthy Water System cycle is completed. IMPORTANT: Allow the unit to cool completely before removing and rinsing the boiling chamber.** Remove the baffle by unscrewing its securing nut. Inspect the baffle for scale deposits. Any scale can be loosened and removed by bending and rolling the baffle. Half fill the boiling chamber with tap water, agitate and discard the water. The water may be drained through the spout. Securely reinstall the baffle and securing nut.

***It is important to wipe off all water deposits inside the AquaVié™ chassis, on the base of the chassis and also all water deposits on the outside bottom of the boiling chamber between each Water System cycle. If this is not done, corrosion of the unit or electrical hazard may occur or it may cause the AquaVié™ unit to shut off early, before producing a full gallon of water.***

Heavy scale deposits should be removed from the boiling chamber whenever they exceed  $\frac{1}{16}$  of an inch (.16 cm). Add enough plain white distilled vinegar to the boiling chamber so that the scale deposits are covered. Allow the vinegar to stand for at least twenty minutes and then discard. Rinse the boiling chamber. Repeat this process if necessary. **Do not heat vinegar in boiling chamber.** A descaler or coffeemaker or kettle cleaner may also be used to clean the boiling chamber.

## WATER BOTTLE

**Sanitize Water Bottle:** It is recommended that this be done whenever an undesirable taste is detected in your AquaVié™ water. See page 3 under **Prepare Your AquaVié™ Healthy Water System Unit** for instructions on sanitizing the water bottle.

## OUTSIDE SURFACES

Use a common household glass or appliance cleaner or a damp soft cloth to clean the AquaVié™ unit's outside surfaces. Do not use abrasive or solvent based cleaners.

**Do not spray cleaning products directly onto the AquaVié™ unit.**

The unit's cooling system vents (see diagram on page 3) should be vacuumed occasionally or cleaned with a soft brush to remove dust and debris. Failure to do so may cause the unit to overheat, shut off early, or emit a foul odor.

## MINERAL DISPENSER

Your AquaVié™ unit comes with a disposable mineral dispenser cup. For healthier, great tasting water, replace your mineral dispenser after producing 20 gallons of AquaVié™ water—about once a month for the average family. See page 3.

# TROUBLESHOOTING GUIDE

| Problem  | Possible Cause  | Solution   |
|--|---|--|
| Start button does not light up.                    | Unit is not plugged in.   | Plug the unit into a rated voltage outlet.   |
|  | Boiling chamber is not fully inserted.  | Make sure the boiling chamber is placed properly. See #8 on page 5   |
| Start button lights but fan does not start.        | The fan's delayed start system has not yet activated the fan.                                       | Wait at least 30 minutes for the fan to start.   |
| AquaVié™ unit does not operate.                    | Unit is not plugged in.   | Plug the unit into a rated outlet.   |
|  | Outlet is defective or fuse or circuit breaker has tripped.   | Check fuses or circuit breakers or call a licensed electrician.  |
|  | Electrical power has been interrupted.  | Press start button to restart. See #9 on page 5.   |
| Steam appears near the top of the boiling chamber. | The baffle is missing or improperly installed.  | Properly install the baffle. See #6 on page 4.   |
|  | Boiling chamber cap is missing or loose.  | Securely install the boiling chamber cap.  |
| Water leaking from top of unit.                    | The cap is on the water bottle.   | Remove the cap from the water bottle during AquaVié™ Healthy Water System cycle.   |
| The unit shuts off before the cycle is complete.   | Loose baffle, missing baffle or baffle is not secured properly in the spout of the boiling chamber. | The screwed fitting can become loose during cycles. Assure that this fitting is tightened before each use. The baffle must be installed with the flat side down (this means that the hole is down) and the narrow end inserted into the spout of the boiling chamber. See page 5.                                |
|  | The unit is not in a well ventilated area.  | AquaVié™ system must be operated in a well ventilated area for proper heat dissipation. Machine is equipped with resettable fuse. If the machine shuts off due to poor ventilation, allow unit to cool and reset. Start the machine by reinserting the boiling chamber and pushing the start button. See page 5. |
|  | There is excess scale build-up in the boiling chamber.  | Clean the boiling chamber. See page 7.   |

# TROUBLESHOOTING GUIDE

| Problem                              | Possible Cause  | Solution  |
|--------------------------------------|---|---|
| AquaVié™ water has an unusual taste. | The mineral dispenser is contaminated.  | Replace the mineral dispenser. See page 3.  |
|                                      | The water bottle is in need of cleaning.  | Clean the water bottle. See page 3.   |
|                                      | The boiling chamber has been over-filled.   | Do not overfill the boiling chamber. Fill to bottom of the four tabs at the base of the boiling chamber's fill opening. See #4 on page 4.         |
| AquaVié™ unit is leaking.            | The boiling chamber is not properly installed.                                      | Push the boiling chamber into the AquaVié™ chassis so that both the boiling chamber and the electrical connection are tightly joined. See page 5. |
|                                      | The o-ring is damaged or missing from the baffle.                                   | If damaged, replace o-ring. Make sure the o-ring is properly placed on the baffle, fitting in the circular groove. See page 5.                    |
|                                      | The flat gasket between the boiling chamber spout and baffle is missing or damaged. | Replace gasket.   |

For all warranty, parts and service needs call 866-365-5339.

REGAL WARE, INC., 1675 REIGLE DRIVE, KEWASKUM, WI 53040

## Free Manuals Download Website

<http://myh66.com>

<http://usermanuals.us>

<http://www.somanuals.com>

<http://www.4manuals.cc>

<http://www.manual-lib.com>

<http://www.404manual.com>

<http://www.luxmanual.com>

<http://aubethermostatmanual.com>

Golf course search by state

<http://golfingnear.com>

Email search by domain

<http://emailbydomain.com>

Auto manuals search

<http://auto.somanuals.com>

TV manuals search

<http://tv.somanuals.com>