



EASY DINER TM

Hook-On Chair

Models 2660/2662

Owner's Manual



READ ALL INSTRUCTIONS BEFORE ASSEMBLY AND USE OF CHAIR. **KEEP INSTRUCTIONS FOR FUTURE USE.**

Regalo International, LLC
14305 Southcross Drive
Suite 100
Burnsville, MN 55306
952-435-1080



WARNING :

Failure to follow these warnings could result in serious injury or death.

- Be sure hook-on chair is securely attached to table before seating child.
- The child should be secured in the hook-on chair at all times by restraining system.
- Never leave child unattended. Always keep child in view when in hook-on chair.
- Check stability of table before and after seating child.
- Do not use on a glass, or a loose table-top, table leaf, or single pedestal or card table, or with table cloths or placemats.
- Discontinue use if hook-on chair is broken. Contact manufacturer immediately for replacement parts or service.
- Do not place an ordinary chair under this hook-on chair or position this hook-on chair on counters or tables which are near other structures that could be used by the child to push the hook-on chair off or up from the table or counter.
- Do not use without all tips (suction cups or other locking/latching mechanisms) attached securely to table surface.

- **Keep seat and table surface clean and dry to prevent seat from slipping.**
- **Use only for a child capable of sitting upright unassisted.**
- **Discontinue use if child, when seated in hook-on chair, is able to move the hook-on chair arms on the table top.**
- **Do not allow other children or animals to play near or walk under hook-on chair while in use.**
- **Use only for children up to 37 pounds (16.8 kg).**
- **Use only for tables 1 to 2 in. thick (25–51 mm).**
- **Before removing child from hook-on chair, be sure child's legs are free from hook-on chair supports.**
- **Always ensure that all hazards such as electrical devices, knives and hot liquids are kept out of reach of the child in the chair.**
- **Do not hang objects from the chair.**
- **Do not use the table seat for more than one child at a time.**
- **Do not use table cloths or other objects on the surface of the table top which may interfere with the function of the securing mechanism.**

READ ALL INSTRUCTIONS BEFORE ASSEMBLY AND USE OF CHAIR. **KEEP INSTRUCTIONS FOR FUTURE USE.**

ASSEMBLING YOUR DINER CHAIR

1. Remove the black plastic protective caps from the ends of the backrest bar. These black plastic caps are for packing purpose only and should be discarded.

If the backrest bar (U-shaped) is not fitted, slide the arm through the sleeve at the back of the seat cover until the pins on the tube are exposed on either side of the sleeve.



2. Assess the position of each arm. For the correct position of each arm you must have:
 - a. Round rubber stopper positioned at front.
 - b. Round red cap on clamp must face the outside of the chair.
 - c. Rubber paddle-grip positioned at top

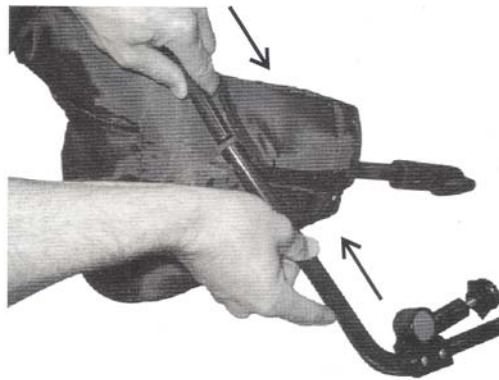


3. Slide each paddle-grip through the cover of each sleeve located on the side of the seat. Start from the back of the sleeve. Remember, the red plug on the clamp must be on the outside.



4. Remove the black plastic protective caps from the openings of both arms. Attach both arms onto the backrest bar. Pushing pin in as you slide the arms over the backrest bar.

These black plastic caps are for packing purpose only and should be discarded.

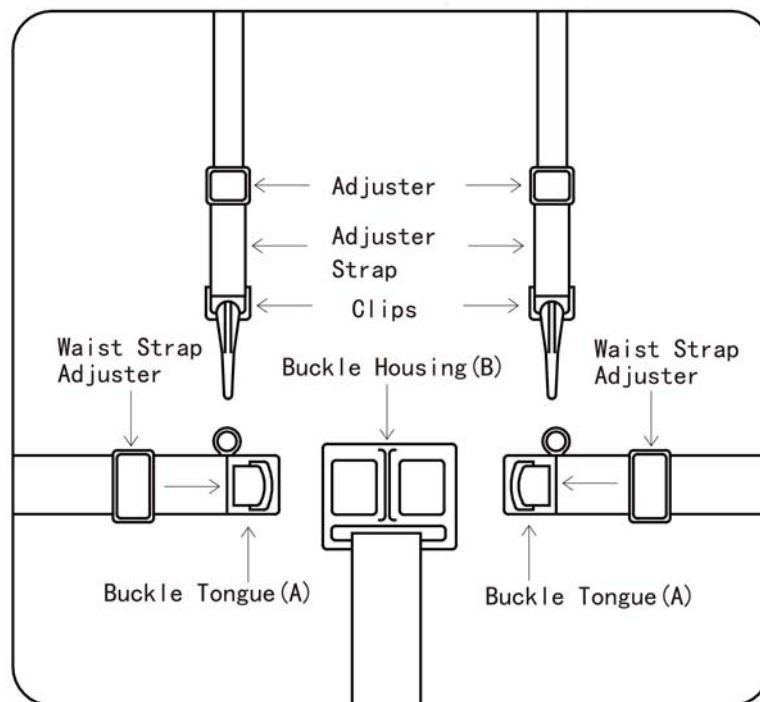


CLOSING THE DINER CHAIR

Before attempting to close the Diner Chair, remove your child. Loosen the table locks on the Diner Chair arms. Press in the red push buttons and angle the table locks forward. Remove the Diner Chair from the table. Fold the Diner Chair seat arms inward to store the Diner Chair.

HARNESS INSTRUCTIONS

To Secure your child in the harness, push buckle tongues (A) into buckle housing (B) and adjust with waist strap adjuster so that the waist strap is firmly secured around child. Attach shoulder straps in position on buckle tongues (A) and adjust so that they are secure, yet comfortable on child.



USING YOUR DINER CHAIR

Diagram 1:

Make sure the two locks (H) are angled forward (see the position in Diagram (1)). Press in red 'Push' button (D) to do this.

Fit onto a table or suitable flat surface as shown in Diagram 1

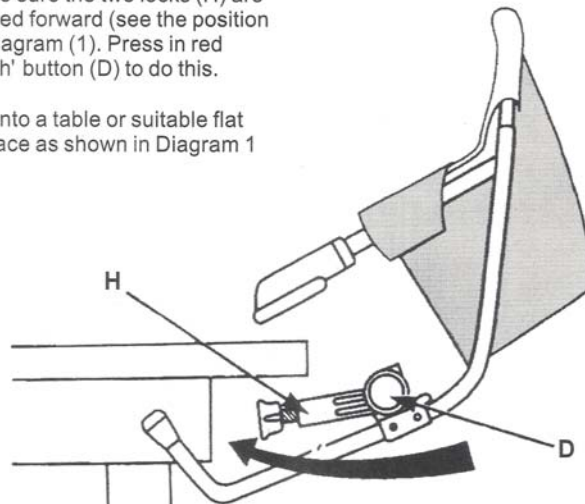
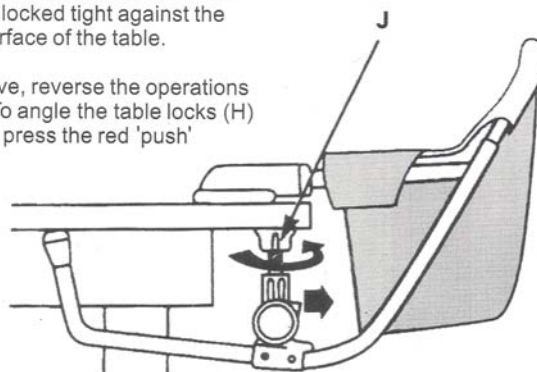


Diagram 2:

'Click' the table locks in the direction of the large arrow in Diagram 2 until perpendicular and then wind the plastic knobs (J) in the direction of the smaller arrow until it is locked tight against the undersurface of the table.

To remove, reverse the operations above. To angle the table locks (H) forward, press the red 'push'



CARE AND MAINTENANCE

Periodically check the Diner Chair for sign of damage, wear or for missing components. Do not use if any part is missing, worn or damaged. Always dry metal parts to avoid the formation of rust. Regularly check the securing screws to ensure that they are securely tightened and tighten when necessary.

FABRIC CARE

Always check the strength of the fabric and the strength of the stitching each time the fabric is washed.





Regalo International, LLC
14305 Southcross Drive
Suite 100
Burnsville, MN 55306
952-435-1080

03/10/2004 - V1

Free Manuals Download Website

<http://myh66.com>

<http://usermanuals.us>

<http://www.somanuals.com>

<http://www.4manuals.cc>

<http://www.manual-lib.com>

<http://www.404manual.com>

<http://www.luxmanual.com>

<http://aubethermostatmanual.com>

Golf course search by state

<http://golfingnear.com>

Email search by domain

<http://emailbydomain.com>

Auto manuals search

<http://auto.somanuals.com>

TV manuals search

<http://tv.somanuals.com>