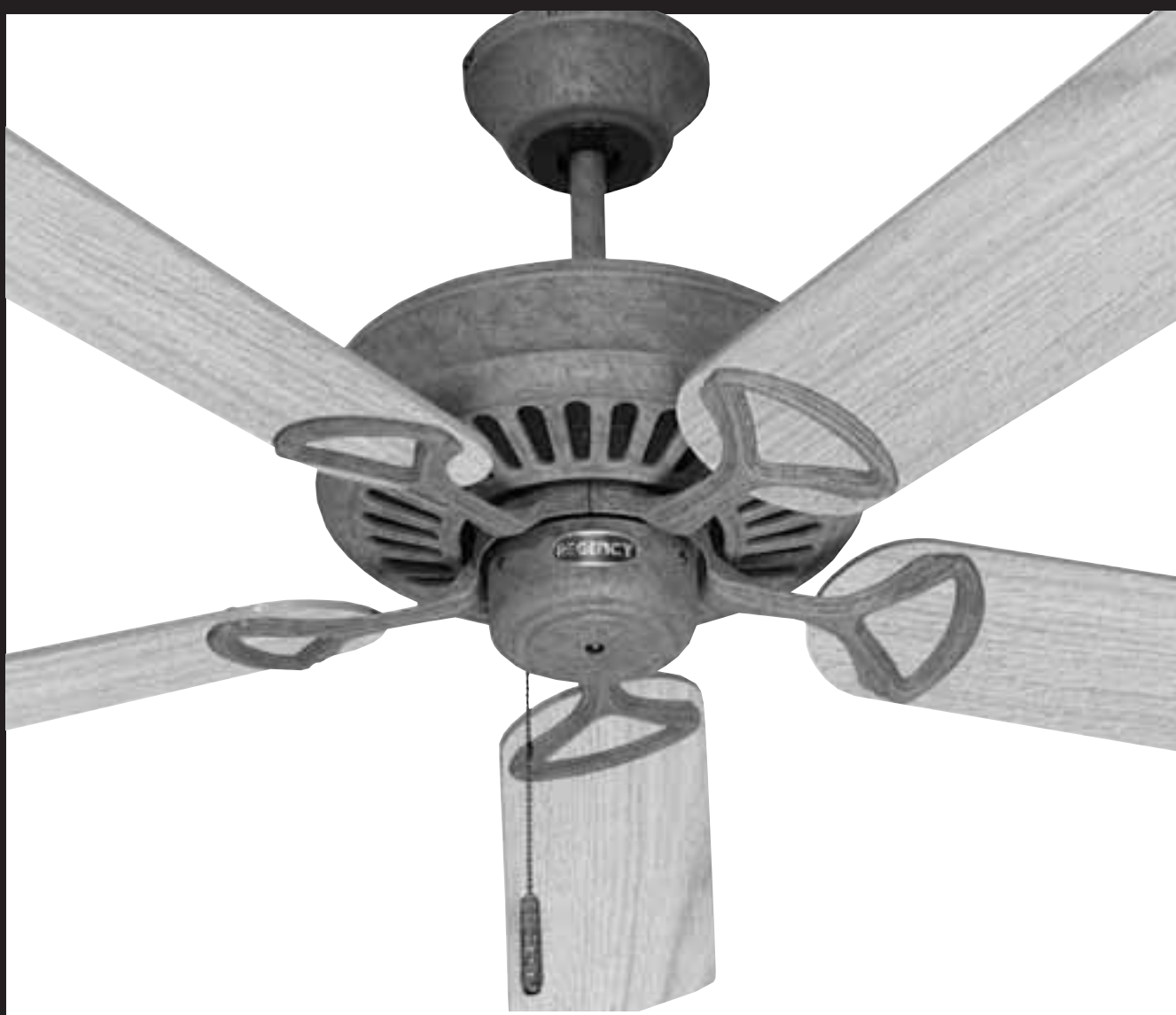


REGENCY®

CEILING FANS

Style that revolves around you.

• CEILING FAN OWNER'S MANUAL •



• MX EXCEL •

REVISED NOVEMBER 2007

WARNING: Read and follow these instructions carefully and be mindful of all warnings shown throughout.



IMPORTANT SAFEGUARDS:

1. **To ensure the success of the installation, be sure to read the instructions and review the diagrams thoroughly before beginning.**
2. **To avoid possible electric shock, be sure electricity is turned off at the main power box before wiring.** All electrical connections must be made in accordance with local codes, ordinances and/or the National Electric Code. If you are unfamiliar with the methods of installing electrical wiring and products, secure the services of a qualified and licensed electrician as well as someone who can check the strength of the supportive ceiling members and make the proper installation(s) and connections.
3. Make sure that your installation site will not allow rotating fan blades to come in contact with any object. Blades should be at least 7 feet from floor when fan is operating.
4. If possible, mount ceiling fan on a ceiling joist - the joist must be able to support the motion and weight of the moving fan. If the fan will be mounted on a ceiling outlet box, an approved box UL listed as “**suitable for fan support**” is required. The box and its supporting members must be able to support the moving weight of the fan (at least 35lbs.). The box must not be able to twist or work loose. Installation on a concrete ceiling should be performed by qualified personnel.
5. Blades should be attached after motor housing is hung and in place. Fan motor housing should be kept in the carton until ready to be installed to protect its finish. If you are installing more than one ceiling fan, make sure that you **do not mix fan blade sets**, as each blade is part of a weighted set.
6. After making electrical connections, spliced conductors should be turned upward and pushed carefully up into outlet box. The wires should be spread apart with the common conductor and the grounding conductor on one side of the outlet box, and the “HOT” wires on the other side.
7. Electrical diagrams are for reference only. Light kits that are not packed with the fan must be UL listed and should be installed per the light kit’s installation instructions.
8. After fan is completely installed, check to make sure that all connections are secure to prevent fan from falling and/or causing damage or injury.
9. The fan can be made to work immediately after installation - the bearings are adequately charged with grease so that, under normal conditions, further lubrication should not be necessary for the life of the fan.
10. The fan should be turned off and allowed to stop rotating before reversing fan direction.

IMPORTANT SAFETY PRECAUTIONS



*Thank you for choosing a Regency Ceiling Fan. You have chosen the best!
Your new ceiling fan has been designed to provide many years of service and enjoyment.*



Warnings:

- **Disconnect power by removing fuse or turning off circuit breaker before installing the fan and/or optional lighting.** Support directly from building structure.
- To reduce the risk of fire, electric shock, or personal injury, mount to outlet box marked “**acceptable for fan support**” and use mounting screws provided with the outlet box. Most outlet boxes commonly used for the support of lighting fixtures are not acceptable for fan support and may need to be replaced. Consult a qualified electrician if in doubt.
- To reduce the risk of fire, electrical shock, or personal injury, only use this fan with an appropriate speed control device designed for use with ceiling fans, if you choose a wall control. **DO NOT USE A SIMPLE INCANDESCENT LIGHT DIMMER. Do not use this fan with any transformer type fan speed control device.**
- To reduce the risk of personal injury, do not bend the blade arms when installing them, balancing the blades or cleaning the fan. Do not insert any objects(s) between rotating fan blades.

NOTE: The important precautions, safeguards and instructions appearing in this manual are not meant to cover all possible conditions and situations that may occur. It must be understood that common sense, caution and carefulness are factors which cannot be built into this product. These factors must be supplied by the person(s) installing, caring for, and operating the unit.

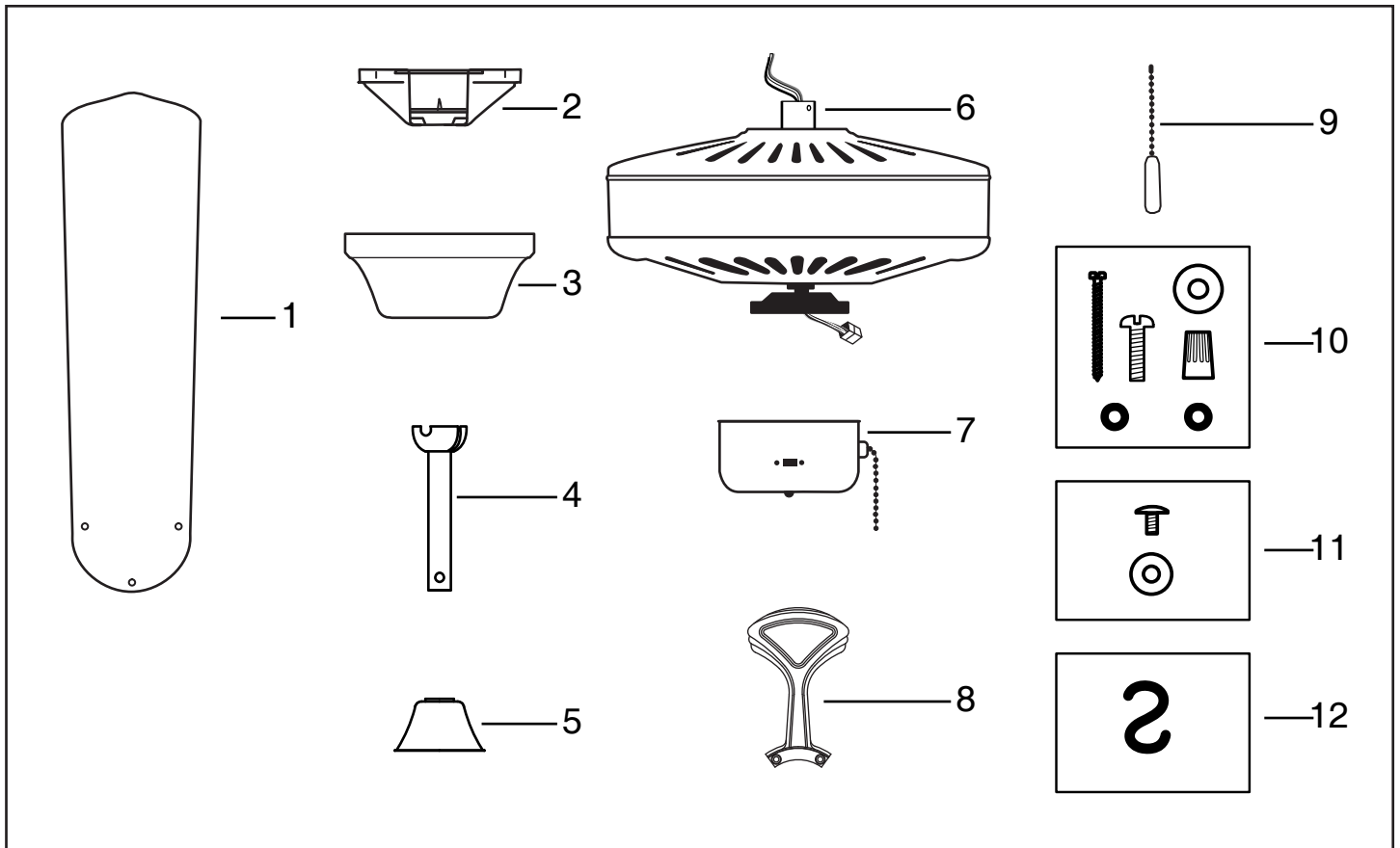
TOOLS AND MATERIALS REQUIRED



- Phillips screwdriver
- Blade screwdriver
- Wrench or pliers
- Wire cutter
- Stepladder
- Wiring supplies as required by electrical code



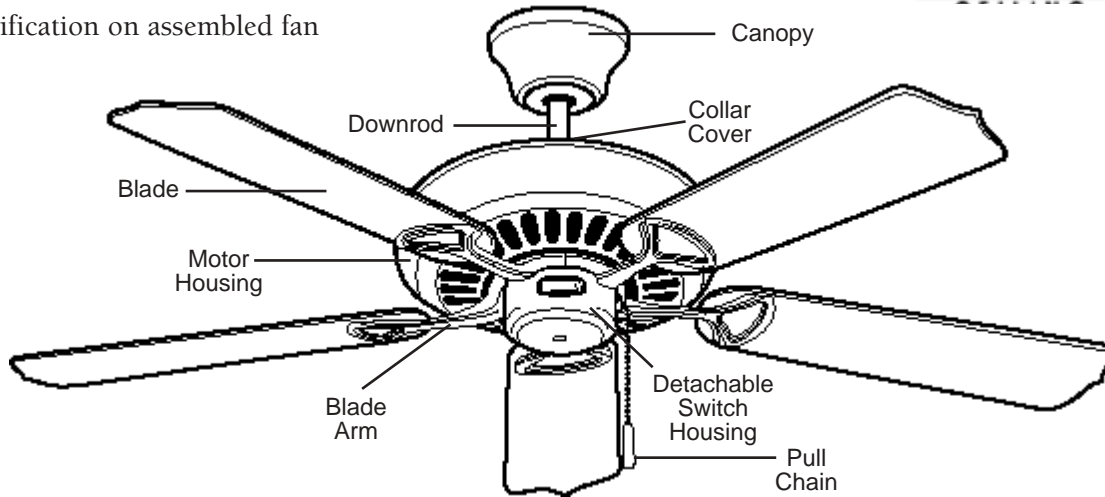
1. Unpack your fan and check the contents. Do not discard the carton. If warranty replacement or repair is ever necessary, the fan should be returned in original packing. Remove all parts and hardware. Do not lay motor housing on its side, or the decorative housing may shift, be bent or damaged.
2. Examine all parts. You should have the following:



1. Fan blades (5) (Packed in separate box.)
2. Hanging bracket
3. Ceiling canopy
4. Downrod/ball assembly
5. Decorative collar cover
6. Fan housing with motor (Remove rubber shipping supports around motor, if included on your fan. Save screws.)
7. Detachable Switch housing
8. Blade arms (5)
9. Pull chain with fob
10. Bracket mounting hardware (wood screws, screws, lock washers, washers, wire nuts)
11. Blade arm to blade screws, w/washers (15)
12. "S" hook (Used for hugger style mounting.)

NOTE: Design of parts shown above may look slightly different for your specific model of fan.

Parts identification on assembled fan



PREPARATION:

Verify you have all parts before beginning the installation. Check foam insert closely for missing parts. Remove motor from packing. To avoid damage to finish, assemble motor on soft padded surface or use the original foam inset in motor box. Do not lay motor housing on its side as this could result in shifting of motor in decorative enclosure.

INSTALLING THE MOUNTING BRACKET

Caution: To avoid possible electrical shock, be sure electricity is turned off at the main power box before wiring. All wiring must be in accordance with National and Local Electrical Codes and the ceiling fan must be grounded as a precaution against possible electric shock.

1. Locate ceiling joist where fan is to be mounted, being sure location agrees with the requirements in the minimum clearance section of this guide. Wood joist must be sound and of adequate size to support 35 lbs. (See inside front cover, Items 3 and 4).
2. If not already present, mount a UL listed outlet box marked "suitable for fan support" following the instructions provided with the outlet box. The outlet box must be able to support a minimum of 35 pounds.
3. Attach hanger bracket to outlet box using screws provided with the outlet box. (Fig. 1)

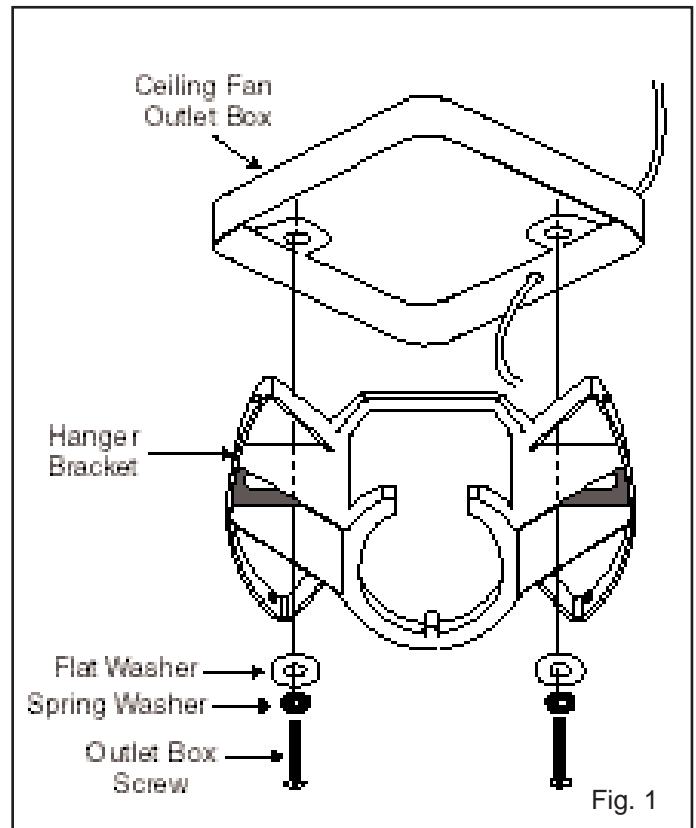
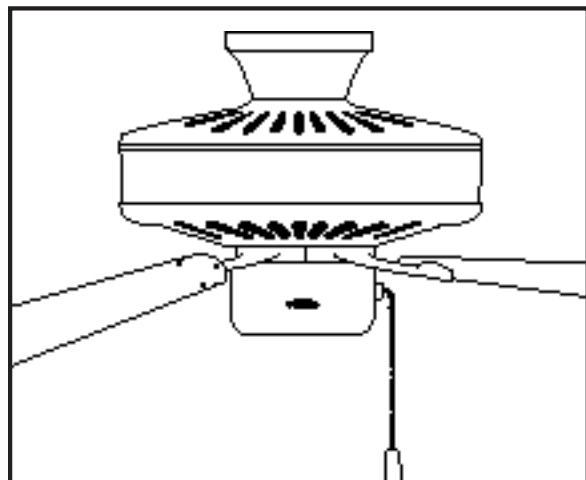


Fig. 1

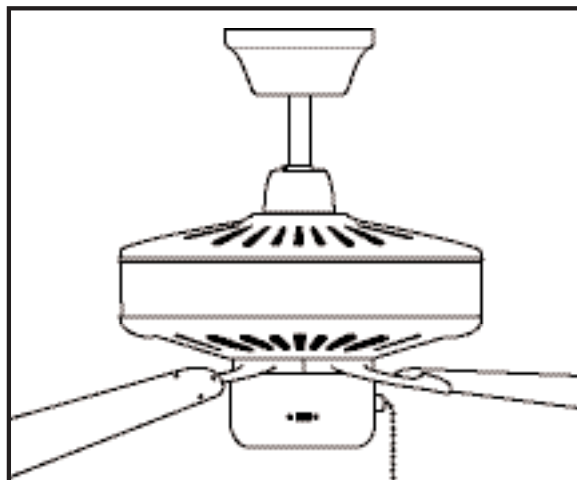
INSTALLATION:

This fan has three installation options:

HUGGER MOUNTING



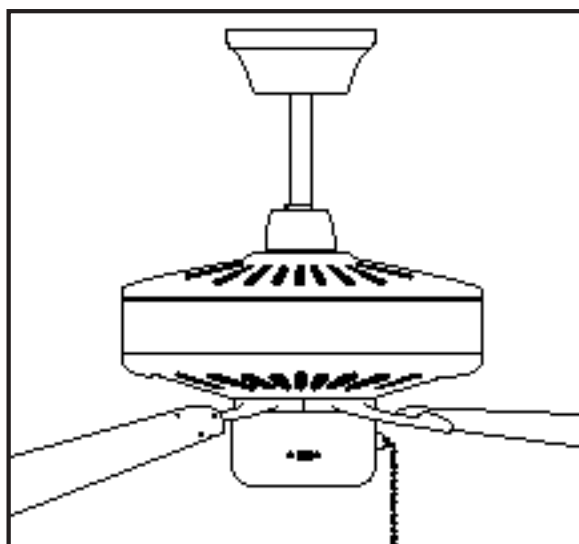
3" DOWNROD MOUNTING



The 3" DOWNROD or HUGGER methods are preferred if maximum headroom is required. Blades will be approximately 8-10" from the ceiling. Airflow will be reduced when the fan is installed using the 3" downrod or hugger options.

6" DOWNROD MOUNTING

This is the recommended mounting for ceilings 8' and higher.



The 6" DOWNROD method is preferred if the ceiling is sloped or vaulted, or when maximum airflow is desired. Blades will be approximately 14" from ceiling using the 6" downrod.

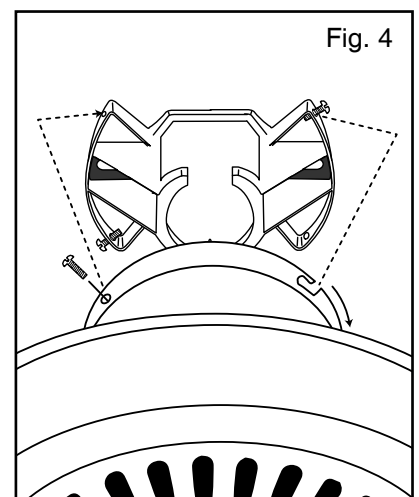
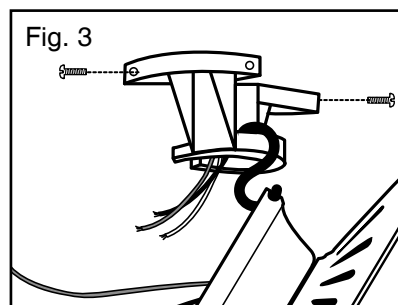
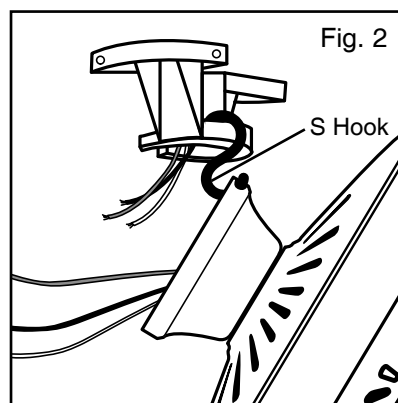
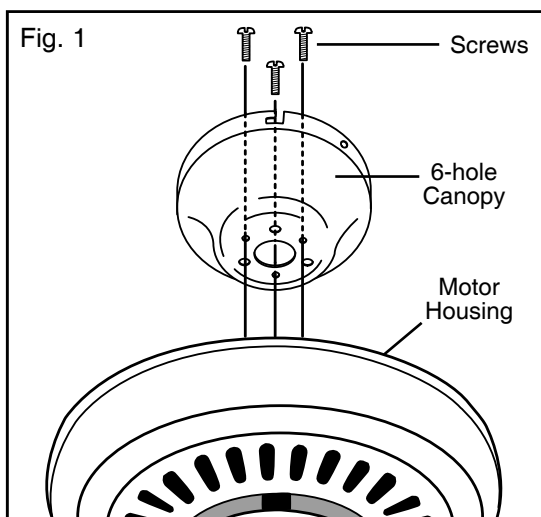
INSTALLATION OPTION #1: HUGGER STYLE MOUNTING

NOTE: The S hook is to be used for hugger style mounting.

1. Remove the plastic trim ring from the canopy to expose the 6 mounting holes. The downrod, ball and cotter pin will not be used for this mounting (Fig. 1).
2. Feed fan wires through the canopy and position the canopy over the mounting collar on top of the fan. The collar's 2 security screws will not be used and can be turned all the way into the collar to make attaching the canopy easier.
3. Align the canopy on top of the fan so the 3 large holes are over the 3 screws holding the collar to the fan. The 3 small holes will then be aligned with the 3 open holes in the top of the fan.
4. Securely attach the canopy to the top of the fan using the 3 hugger mounting screws provided.

WARNING: To avoid damaging the blade arms and blades, do not install them onto fan until fan is fastened to ceiling.

5. Place the S hook onto the hanger bracket. Hang the canopy (with the fan motor housing attached) from the S hook on the hanger bracket using one of the holes in the edge of the canopy (Fig. 2). This will permit you to make the electrical connections without having to hold the fan up as well.
6. Make the wire connections as described in "Electrical Connections" (page 8).
7. Insert 2 screws into the hanger bracket, leaving them partially out (Fig. 3).
8. Attach the canopy to the hanger bracket by inserting the slotted openings of the canopy on the hanger bracket screws (Fig. 4), and turn the fan to the right to engage the screws in the slots.
9. Insert the 2 remaining screws through the remaining canopy holes and tighten all 4 screws.



1. Carefully support fan body (motor) in its styrofoam packing with the mounting collar (where the wires come out) facing upward. Select the 3" or 6" (or optional extension) downrod you wish to use.
2. Remove ball from the 3" or 6" downrod by loosening set screw in the side of the ball. Slide ball down and remove ball pin; remove ball.
3. Feed the wires from top of fan through end of the downrod of choice and set end of downrod into mounting collar so the hole in the downrod lines up with the hole in the side of the mounting collar.
4. Insert downrod pin through holes in mounting collar and downrod; slip cotter pin through small hole in end of downrod pin to hold downrod in place.
5. Tighten security screws against downrod using a large flat blade screwdriver to ensure a tight fit against downrod. Tighten nuts against mounting collar.

NOTE: Fan has 6 feet of hook-up wire in case you are using a long extension downrod. Wires can be cut so only 8 inches or so extend beyond the top of the downrod to make the electrical connections easier and safer.

6. Feed wires through collar cover and slide collar cover down the downrod to top of fan.
7. Feed wires through canopy and slide canopy over downrod to lay on top of collar cover. It will be attached to ceiling later.
8. Feed wires through ball and slide ball over downrod, past hole in the top end of the downrod. Insert ball pin (removed in step 2), slide ball up, and tighten set screw to secure ball in place.

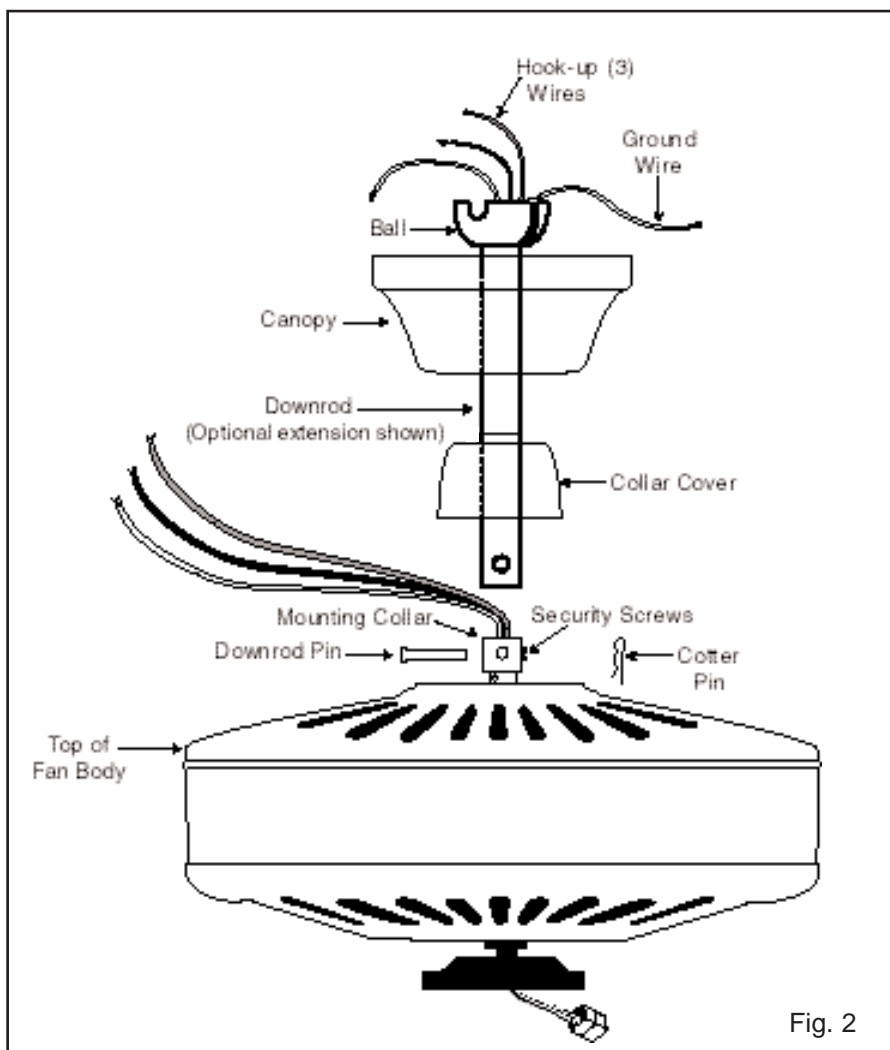
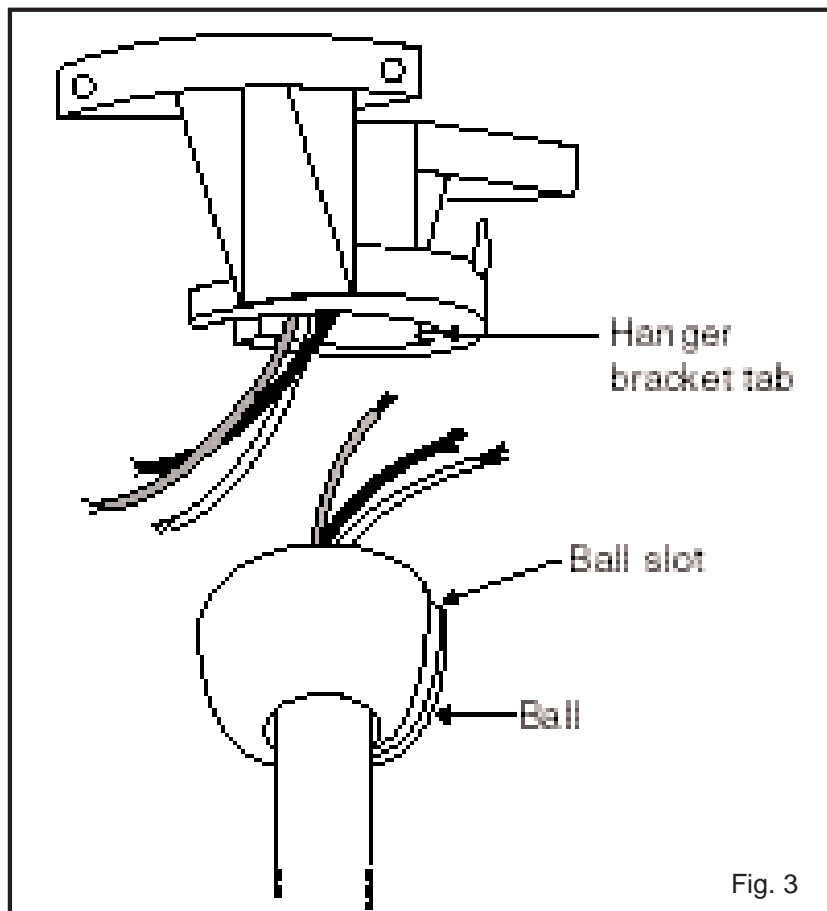


Fig. 2

1. Lift ball/downrod/fan into hanger bracket opening. NOTE: The tab opposite hanger bracket opening should fit in slot on ball (Fig. 3).
2. Make wire connections, (refer to section titled “Electrical Connections”).
3. Slide canopy up and fasten to hanger bracket with 4 screws provided.



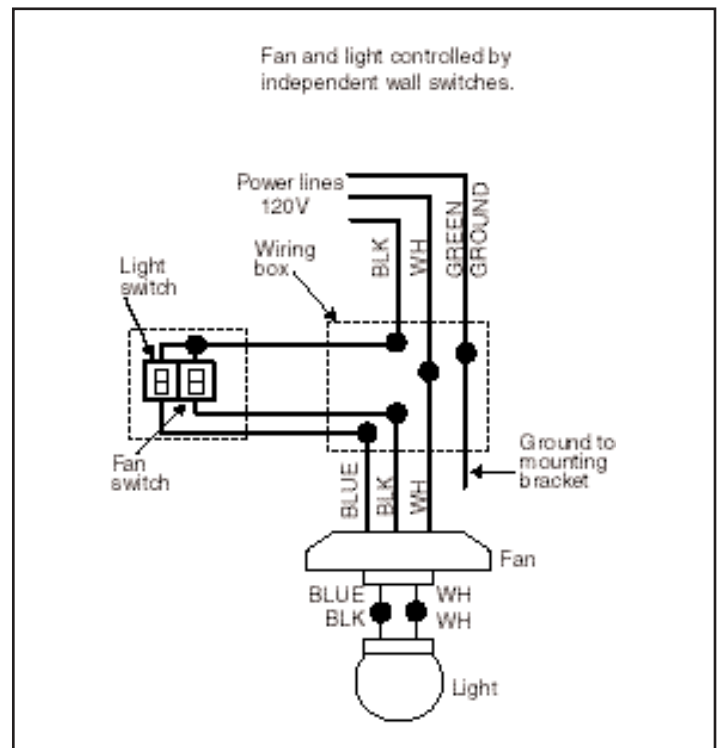
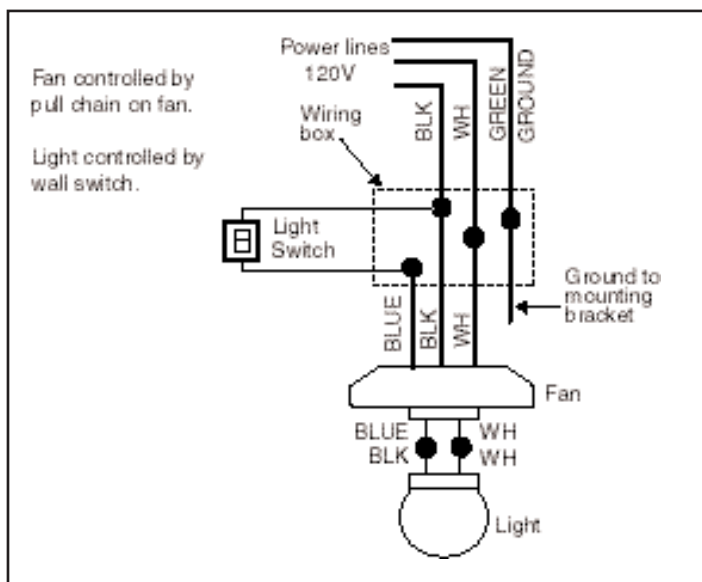
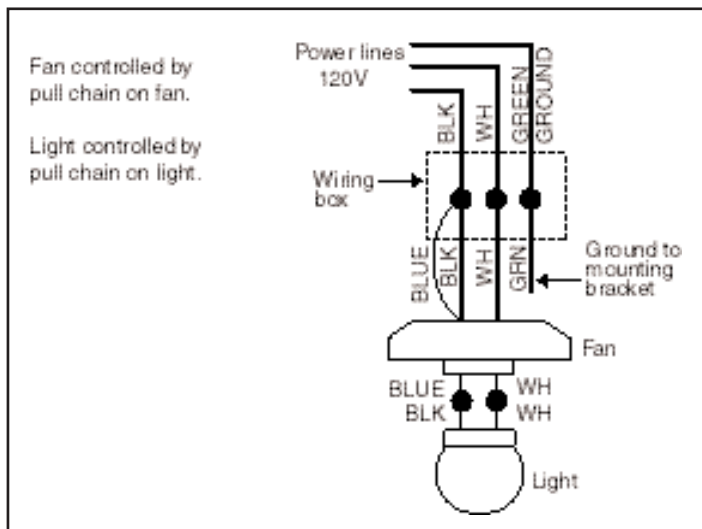
WARNING: To avoid damaging the blade arms and blades, do not install them onto fan until fan is fastened to ceiling.

ELECTRICAL CONNECTIONS: ✱ Be sure electricity is turned off at the main power box before wiring

- Four wires are connected to the fan.
 Black – this is the “hot” power to run fan.
 White – this is the “common” power to run fan and light.
 Blue – this is the “hot” power for light kit.
 Green – ground wire (on bracket or downrod).
- If fan and light are to be connected to the same circuit, black and blue wires can both be connected to house circuit black wire.

NOTE: The other end of the blue wire, (light circuit) is in the switch housing with a wire nut and label for light kit attachment. The white wire (common for light kit) is also there.

WARNING: If light kit is not used, DO NOT connect blue wire at the ceiling.



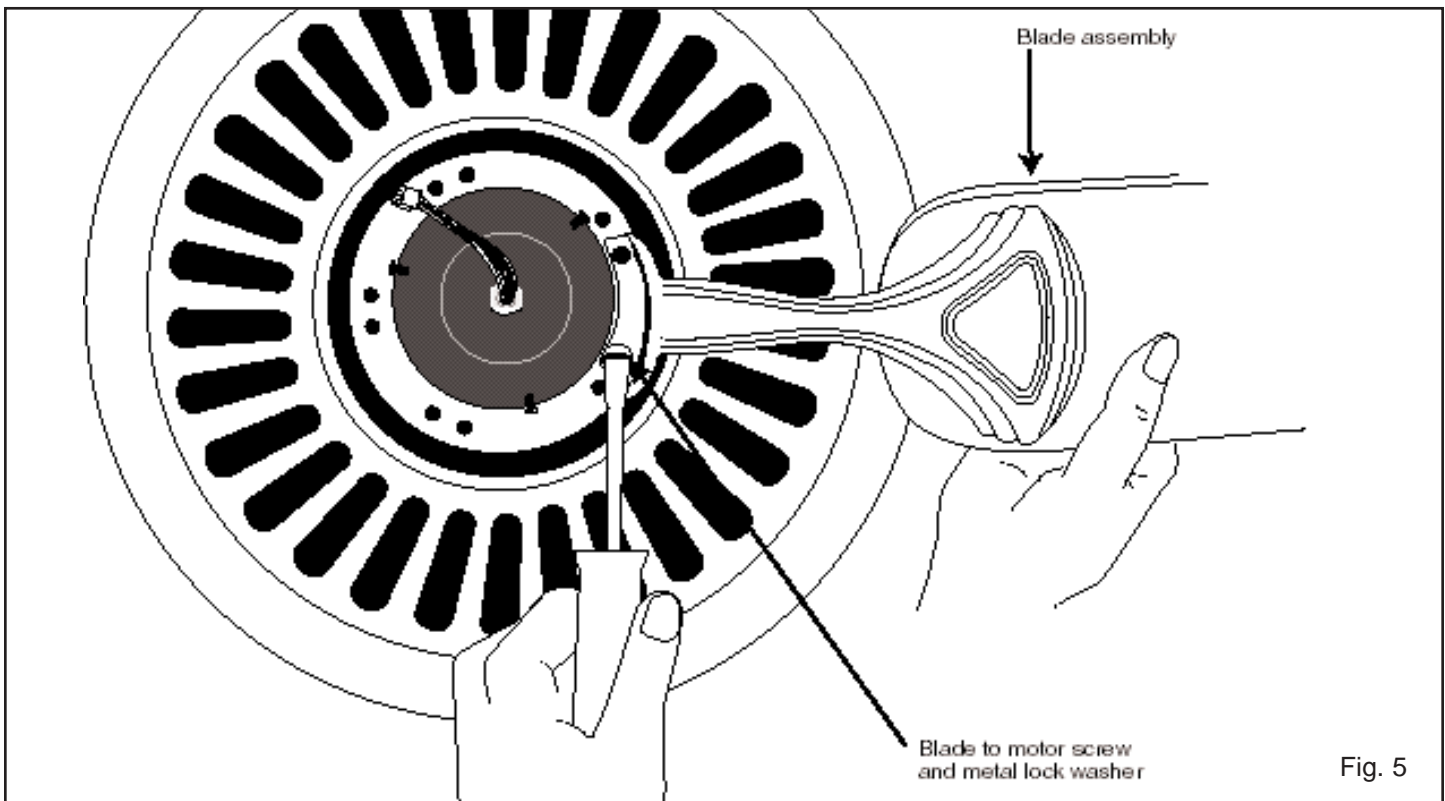
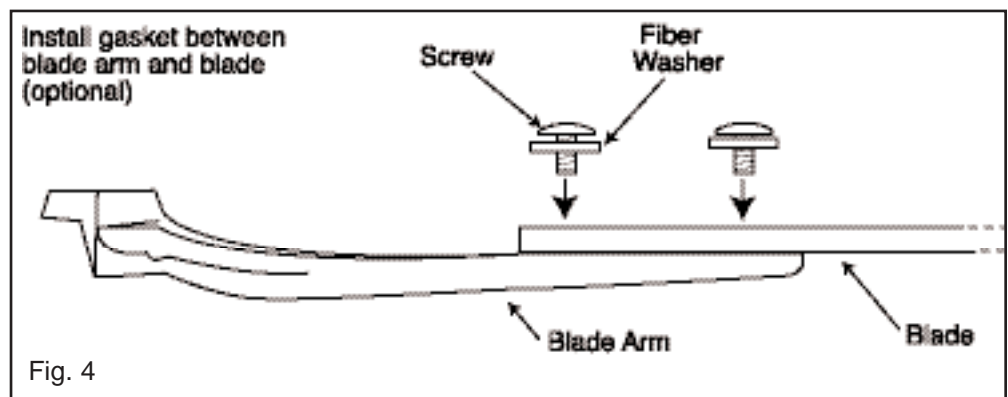
BLADE ATTACHMENT:

1. Place fiber washer on screw. Insert this assembly through the blade and start the screw into the blade arm. Repeat this procedure without tightening the screw until all 3 screws have been started into the blade arm (Fig. 4).

NOTE: Fans that have painted finishes are packed with gaskets that can be used between the blade arm and blade to help prevent a clicking noise that may develop if blade screws loosen over time.

2. Tighten each screw starting with center screw.
3. Fasten blade assembly to motor with provided screws and metal lockwashers. Repeat procedure for remaining blades (Fig. 5). Make sure screws are TIGHT! Loose motor screws can contribute to unnecessary hum during operation.

NOTE: Cordless power screwdrivers are NOT recommended, as they tend to strip the heads of the screws and usually will not fully compress the lock washers on the motor screws. Use a large flat blade screwdriver for final tightening to fully compress the washers. This will help ensure proper alignment of the blades and noise-free, wobble-free running.



NOTE: Be sure the power is off before installing.

1. Loosen the 3 side screws on switch housing hub halfway.
2. If installing light kit, carefully remove light kit plug in bottom of switch housing. Attach to switch housing per instructions supplied with light kit. See "Electrical Connections" for hook-up of light kit.
3. Connect the plug and receptacle and make sure side buckle snaps in place.
4. Attach the switch housing to the switch housing hub. Be sure to align the opening on the edge of switch housing hub with reverse switch.
5. Align the side screws with keyhole slots on edge of switch housing and tighten the side screws.
6. Turn the power on. Your Regency Ceiling Fan is now ready to enjoy!

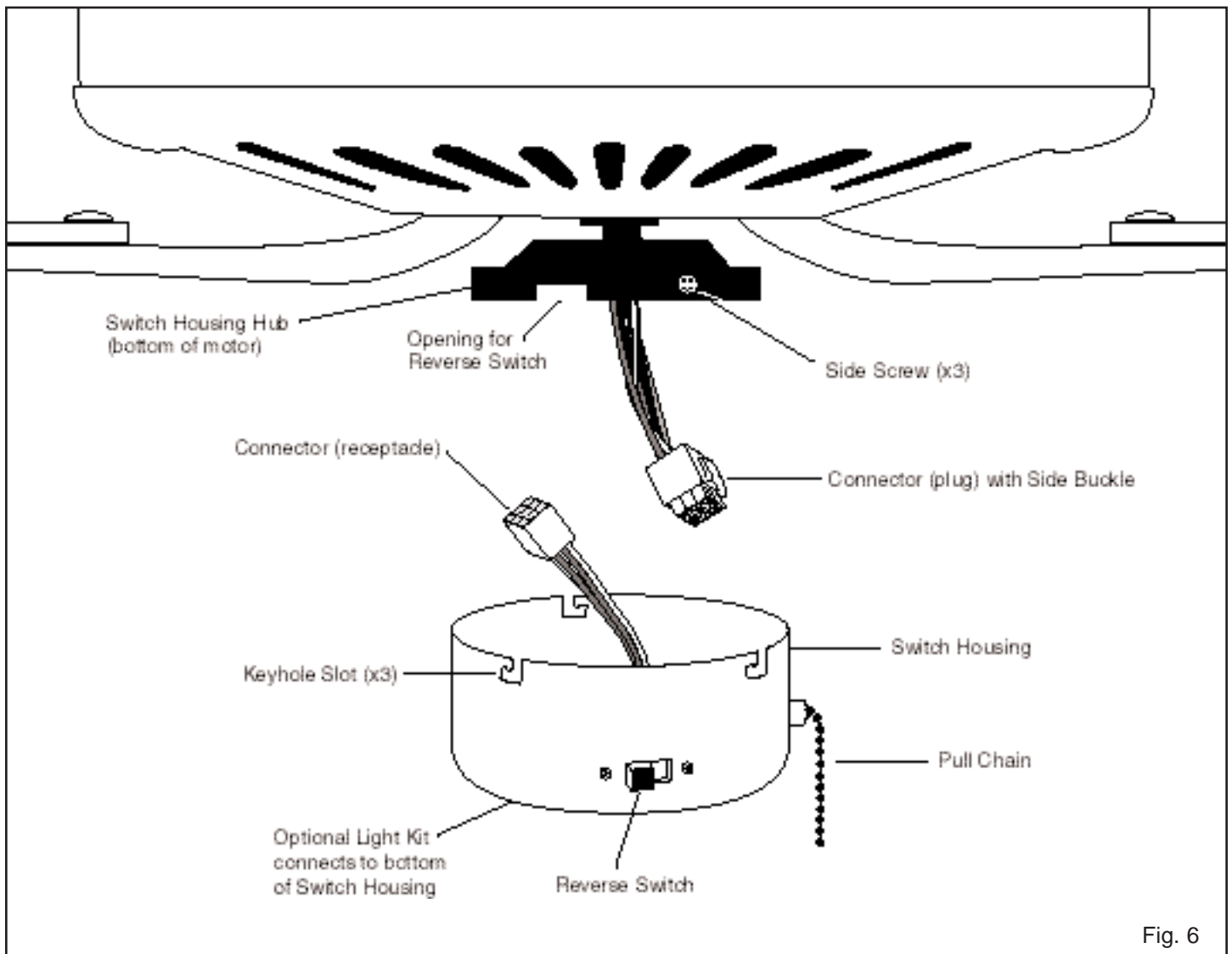


Fig. 6

Turn on the power and check operation of the fan. The fan is controlled by the use of the fan speed pull chain as follows:

- one pull = high speed
- two pulls = medium speed
- three pulls = low speed
- four pulls = off

For proper functions, ensure that the fan speed pull chain is pulled down fully and released each time.

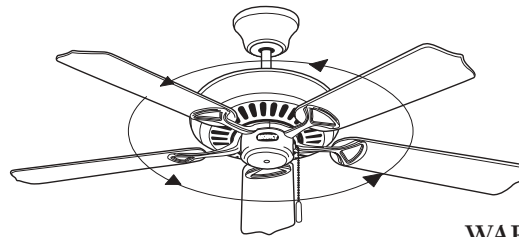
NOTE: Leave pull chain switch in "high speed" position when using optional wall control.

The slide switch on the side of the switch housing controls forward or reverse rotation. Make sure switch is not stuck between forward and reverse positions.

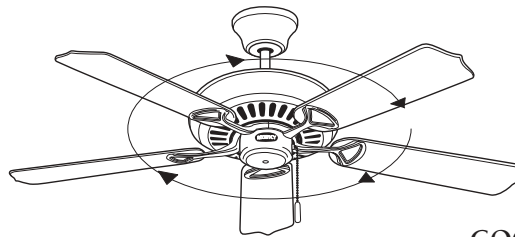
Forward/Reverse Direction:

Forward is a counterclockwise rotation of the blades when viewed from beneath the fan. This will create a downward breeze that can be felt below the fan. This is the normal direction for the fan to run when the weather is warm.

Reverse (clockwise) will draw air up through the blades and towards the ceiling, down the walls, and into the living space during the cooler months.



WARM MONTHS
Forward (counterclockwise)



COOL MONTHS
Reverse (clockwise)

IMPORTANT: To prevent damage or cause injury, be sure that fan is switched to off and blades have stopped moving completely before attempting to change direction of rotation.

TROUBLESHOOTING - IN CASE OF DIFFICULTY

1. If fan will not start: Check main and branch circuit breakers and/or fuses. Check line wire connections to fan and switch housing wiring. Make sure forward/reverse switch is set to one or the other position, not stuck in between.
2. If fan is noisy: Check and make sure that all screws in motor housing are snug (but not over tight). Check that the screws securing blade brackets to the motor are tight. Check that wire connectors in switch housing are not rattling against each other or the interior wall of the switch housing. Check that all glassware is finger tight and that bulb(s) are well held in the sockets, if a light kit is used. Check that the canopy is firmly attached to hanging bracket and not vibrating against ceiling.
3. If fan wobbles: Check that all blades are firmly screwed into blade arms. Check that all blade arms are firmly secured to the motor. Make sure that the light kit (if present) is firmly attached to switch housing and that all glassware and shades are fastened properly. Wobble can also result from even the smallest deviations in distance from blade tip to blade tip - if measurements from blade tip to blade tip are not equal, loosen screws connecting blade to bracket one at a time and adjust blade(s) so that distances are equal. Interchanging adjacent blades may redistribute mass and result in smoother operation. Blade arms can be bent slightly to restore same pitch to all blades if a blade is different than the other blades when viewed edge on.

CARE AND CLEANING

Periodic cleaning of your new ceiling fan is about the only maintenance that is needed. Only use a soft brush or lint free cloth to avoid scratching the finish. DO NOT use water when cleaning your ceiling fan. It could damage the motor or the wood blades and/or create the possibility of electrical shock.

Periodically it may be necessary to re-tighten blade to blade arm screws or blade arm to motor screws to prevent clicking or humming sound during operation. This is especially true in climates with broad temperature and humidity ranges and in fans with painted or high gloss blades.

When dusting the blades, you must support the blade to prevent bending – no pressure should be applied to the blades. If you experience any flaws in the operation of your fan, please check the following points:

THANK YOU FOR PURCHASING A REGENCY CEILING FAN.

Write to us at:

Regency Ceiling Fans

P.O. Box 730

Fenton, MO 63026

Visit us on the Web at: www.regencyfan.com

Free Manuals Download Website

<http://myh66.com>

<http://usermanuals.us>

<http://www.somanuals.com>

<http://www.4manuals.cc>

<http://www.manual-lib.com>

<http://www.404manual.com>

<http://www.luxmanual.com>

<http://aubethermostatmanual.com>

Golf course search by state

<http://golfingnear.com>

Email search by domain

<http://emailbydomain.com>

Auto manuals search

<http://auto.somanuals.com>

TV manuals search

<http://tv.somanuals.com>