

P33 Gas Fireplace

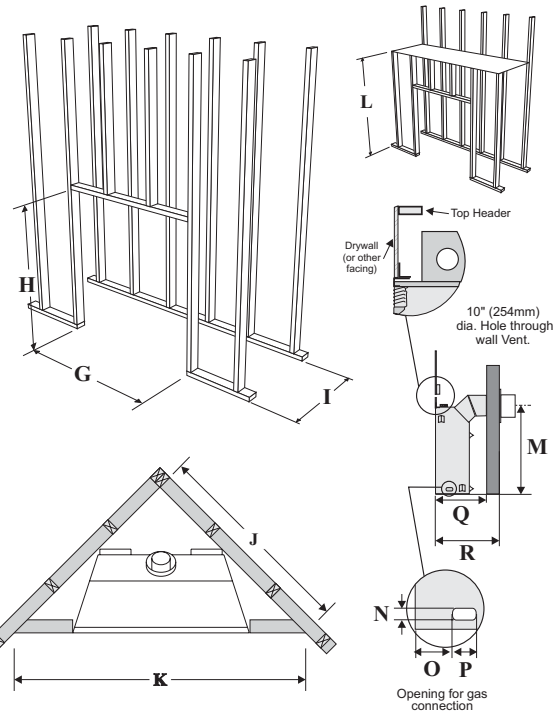
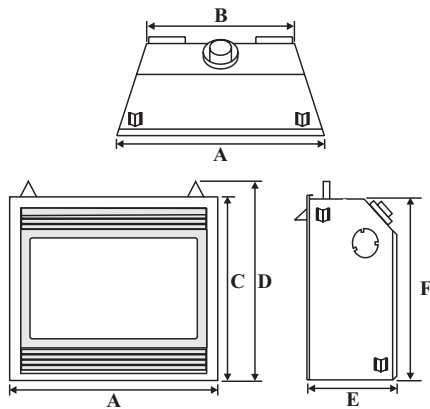
P33 Zero Clearance Direct Vent Gas Fireplace

P33 WITH THE FLUSH OR BAY FRONT

Model	P33-NG4	P33-LP4
Fuel Type	Natural Gas	Propane
Minimum Supply Pressure	5" W.C. (1.25 kPa)	12" W.C. (3.00 kPa)
Manifold Pressure - High	3.8" W.C. (0.95 kPa)	11" W.C. (2.74 kPa)
Manifold Pressure - Low	1.1" W.C. (0.27 kPa)	3.3" W.C. (0.82 kPa)
Orifice Size	#44 DMS - 0-2000ft #45 DMS - 2000-4500ft	#54 DMS
Minimum Input Altitude 0-2000 ft. (0-610m)	12,500 BTU/h (3.66 kW)	10,500 BTU/h (3.07 kW)
Minimum Input Altitude 2000-4500 ft. (610-1372m)	10,500 BTU/h (3.07 kW)	
Maximum Input Altitude 0-2000 ft. (0-610m)	22,500 BTU/h (6.59 kW)	21,500 BTU/h (6.30 kW)
Maximum Input Altitude 2000-4500 ft. (610-1372m)	21,000 BTU/h (6.15 kW)	
Vent Sizing	4" Inner / 6 5/8" Outer	4" Inner / 6 5/8" Outer

Approved Venting Systems

Flex Vent Systems:	FPI AstroCap™ Flex Vent
Rigid Pipe Vent Systems:	Simpson Direct Vent Pro® American Metal Products® Amerivent Direct Security Secure Vent® Selkirk Direct-Temp™ Metal-Fab® Sure Seal



Unit Dimensions	Description	P33	
A	Front Face Width	33" (838mm)	
B	Rear Firebox Width	23" (584mm)	
C	Front Face Height	29" (737mm)	
D	Height w/ Standoff	31 1/2" (800mm)	
E	Unit Depth	12-3/4" (324mm)	
F	Firebox Height	28 1/2" (724mm)	
Framing Dimensions	Description	P33	
G	Framing Width	33-1/4" (845mm)	
H***	Framing Height***	31-3/4" (806mm)***	
I	Framing Depth	Vertical	19 1/2" (495mm) Vertical Rise
		Horizontal	16 1/2" (419mm) Rigid / 12-3/4" (324mm) Flex
J	Corner Wall Length	37 1/2" (953mm)	
K	Corner Facing Wall Width	53-1/4" (1353mm)	
L	Framed Chase Ceiling	36" (914mm) Rigid	32" (813mm) Flex
M	Vent Centerline Height	30" (762mm) Rigid	26" (660mm) Flex

Dimension	Description	P33
N	Gas Connection Height	1 1/2" (38mm)
O	Gas Connection Inset	4" (102mm)
P	Gas Connection Width	3" (76mm)
Q	Minimum Framing Depth	16 1/2" (419mm) Rigid / 12-3/4" (324mm) Flex
R	Maximum Framing Depth (including wall thickness)	40 1/2" (419mm) Rigid / 36-3/4" (324mm) Flex

***Important: Framing height requires consideration of the hearth depth. Dimension H = H + the thickness of installed hearth.

Please refer to Exterior Vent Terminations for additional guidelines on vent locations.

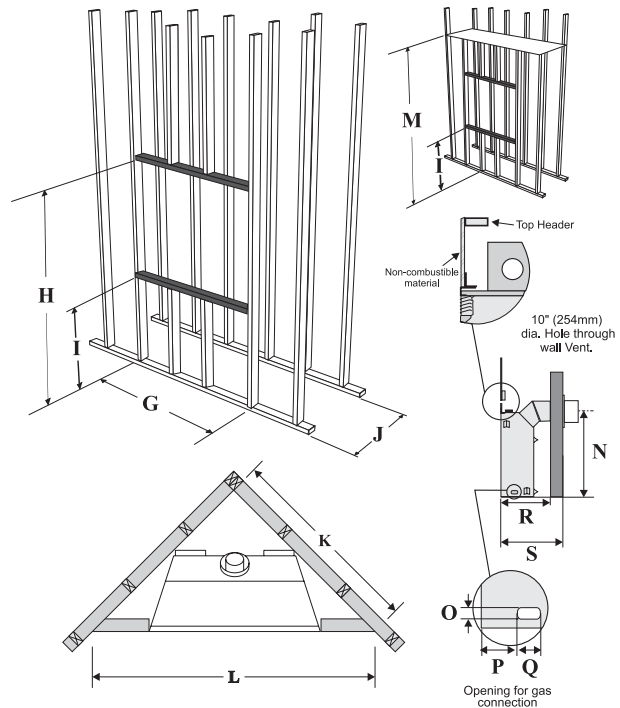
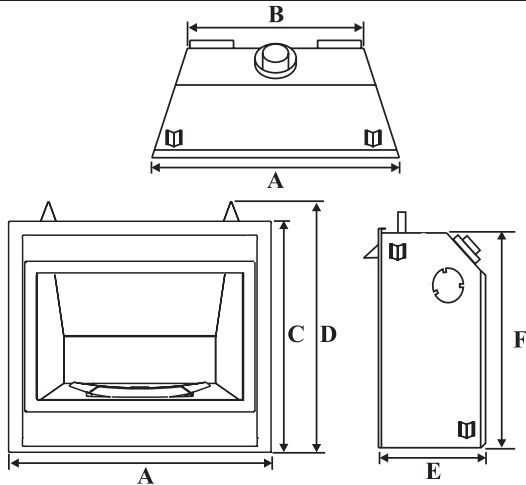
Gas Fireplaces



P33 Gas Fireplace

Model	P33-NG4 w/ Contemporary Faceplate	P33-LP4 w/ Contemporary Faceplate
Fuel Type	Natural Gas	Propane
Minimum Supply Pressure	5" W.C. (1.25 kPa)	12" W.C. (3.00 kPa)
Manifold Pressure - High	3.8" W.C. (0.95 kPa)	11" W.C. (2.74 kPa)
Manifold Pressure - Low	1.1" W.C. (0.27 kPa)	3.3" W.C. (0.82 kPa)
Orifice Size	#47 DMS	#56 DMS
Minimum Input Altitude 0-4500 ft. (0-1372m)	9,800 BTU/h (2.87 kW)	9,000 BTU/h (2.64 kW)
Maximum Input Altitude 0-4500 ft. (0-1372m)	17,500 BTU/h (5.13 kW)	15,500 BTU/h (4.54 kW)
Vent Sizing	4" Inner / 6 5/8" Outer	4" Inner / 6 5/8" Outer

Approved Venting Systems	
Flex Vent Systems:	FPI AstroCap™ Flex Vent
Rigid Pipe Vent Systems:	Simpson Direct Vent Pro® American Metal Products® Amerivent Direct Security Secure Vent® Selkirk Direct-Temp™ Metal-Fab® Sure Seal



Dimension	Description	P33S
O	Gas Connection Height	1 1/2" (38mm)
P	Gas Connection Inset	4" (102mm)
Q	Gas Connection Width	3" (76mm)
R	Minimum Framing Depth	16 1/2" (419mm) Rigid / 12-3/4" (324mm) Flex
S	Maximum Framing Depth (including wall thickness)	40 1/2" (1028mm) Rigid / 36-3/4" (933mm) Flex

Important:

If the Contemporary Faceplate is used on the P33-NG4/P33-LP4 Gas Fireplace, the burner orifice (Both NG/LP supplied in package) must be replaced and an overlay decal (also supplied with kit) must be affixed to the current serial number decal supplied with unit.

Note: Also see framing dimensions for this optional front if installed on the P33-4 unit.

Note: Unit must be raised up by 1' to allow for faceplate installation.

NG LP

Current P33-4 orifice size: #44 #54

Must replace with: #47 #56

Warning: Fire hazard is an extreme risk if these changes are not adhered to.

Unit Dimensions	Description	P33 with Contemporary Faceplate	
A	Front Face Width	33" (838mm)	
B	Rear Firebox Width	23" (584mm)	
C	Front Face Height	29" (737mm)	
D	Height w/ Standoff	31 1/2" (800mm)	
E	Unit Depth	12-3/4" (324mm)	
F	Firebox Height	29" (737mm)	
Framing Dimensions	Description	P33 with Contemporary Faceplate	
G	Framing Width	33-1/4" (845mm)	
H**	Framing Height**	31-3/4" (806mm)**	
I*	Framing Rise from Floor	1" (25mm) minimum*	
J	Framing Depth	Vertical	19 1/2" (495mm) Vertical Rise
		Horizontal	16 1/2" (419mm) Rigid / 12-3/4" (324mm) Flex
K	Corner Wall Length	37 1/2" (953mm)	
L	Corner Facing Wall Width	53-1/4" (1353mm)	
M***	Framed Chase Ceiling***	36" (914mm) Rigid***	32" (813mm) Flex***
N	Vent Centerline Height	30" (762mm) Rigid	26" (660mm) Flex

* The unit must be raised a minimum of 1" above the finished floor.

** Dimension H = H + I (minimum)

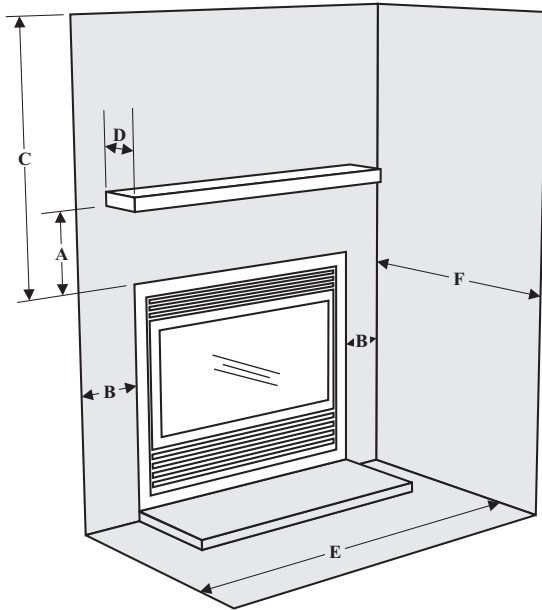
*** Dimension M = M + I (minimum)

P33 Gas Fireplace

Framing and Finishing

- 1) Determine the total thickness of facing material (e.g. drywall plus ceramic tiles) to allow the finished surface to be flush with the front of the unit. Total facing thickness can vary from 1/2" (13mm) to 1-1/4" (32mm) thick.
- 2) Frame in the enclosure for the unit with framing material.
- 3) For exterior walls, insulate the enclosure to the same degree as the rest of the house, apply vapor barrier and drywall, as per local installation codes. **(Do not insulate the fireplace itself.)**
- 4) The top of the unit must not be closer than 30" (762mm) to the ceiling.
- 5) Combustible material may be brought up to the top and sides of the unit and be covered with ceramic tiles, bricks, rock or other suitable combustible finishing materials.
Note: The unit does not have to be completely enclosed in a chase. The clearance on top of the unit is 0" to the standoffs so combustible building materials can be laid directly on top of the standoffs. You must maintain proper clearances from the vent to combustible materials (See Below).
- 6) Use metal studs for framing where the minimum clearance from the vent to combustible material cannot be maintained.

Clearance Requirements



Clearance:	Dimension	Measured From:
A: Mantel Height	7" (178mm)	Minimum (Additional on this page)
B: Sidewall	7-1/2" (191mm)	Side of installed front
C: Ceiling	30" (762mm)	Top of installed unit
D: Mantel Depth	12" (305mm)	Maximum (Additional on this page)
E: Alcove Width	48" (1219mm)	Sidewall to Sidewall (Minimum)
F: Alcove Depth	36" (914mm)	Front to back wall (Maximum)

Top of Hearth must not be higher than the base of the firebox.

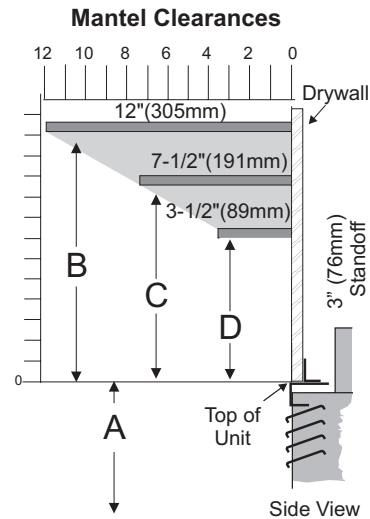
Vent Clearances	Clearance Dimension
Horizontal - Top	2-1/2" (64mm)
Horizontal - Side	1-1/2" (38mm)
Horizontal - Bottom	1-1/2" (38mm)
Vertical - Flex	1-1/2" (38mm)
Vertical - Rigid	1-1/4" (32mm)

WARNING

Failure to maintain required clearances is a major cause of chimney related fires. Installation of this fireplace must comply with these clearances.

Combustible Mantels

Because of the extreme heat this fireplace emits, the mantel clearances are critical. Combustible mantel clearances from top of the louvers are shown in the diagram below. Mantel may be installed anywhere in the shaded area or higher.



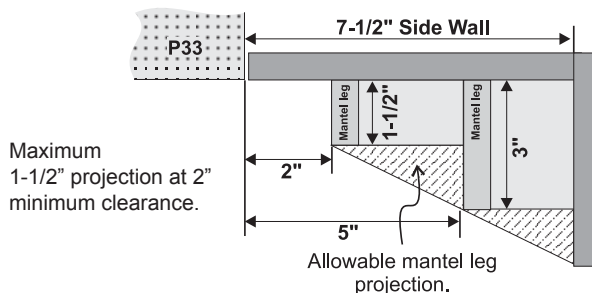
Mantel Clearances	A	B	C	D
Front	29" (737mm)	11" (279mm)	9" (229mm)	7" (178mm)

Note: If desired a non-combustible mantel may be installed at a lower height.

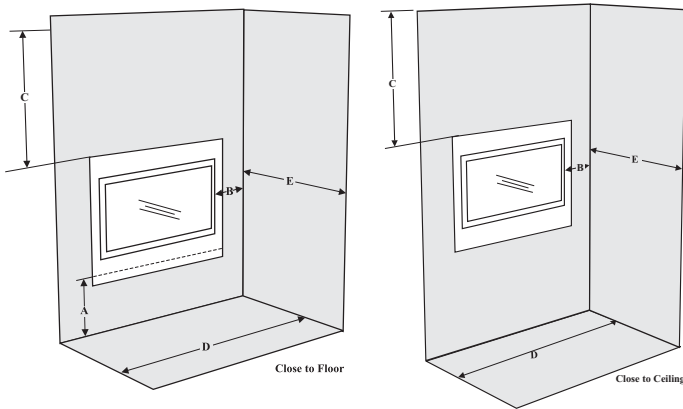
Note: Ensure the paint that is used on the mantel and the facing is "heat resistant" or the paint may discolour.

Mantel Leg Clearances

Combustible mantel leg clearances as per diagram below: Clearances are from the finished edge of the unit or an installed front.



Clearance Requirements with Contemporary Faceplate



***Note:** All measurements are from the top/side of the unit, not optional front.

Clearance:	Dimension	Measured From:
A: *Front Floor Clearance (min.)	1" (25mm)	Underside of Unit
B: *Sidewall	7-1/2" (241mm)	Side of Unit
C: *Ceiling (room and/or alcove)	30" (889mm)	Top of Unit
D: Alcove Width	48" (1219mm)	Sidewall to Sidewall (Minimum)
E: Alcove Depth	36" (914mm)	Front to Back Wall (Maximum)

Flue Clearances to Combustibles	
Horizontal - Top	2-1/2"
Horizontal - Side	1-1/2"
Horizontal - Bottom	1-1/2"
Vertical (Flex Vent)	1-1/2"
Vertical (Rigid)	1-1/4"

WARNING

Failure to maintain required clearances is a major cause of chimney related fires. Installation of this fireplace must comply with these clearances

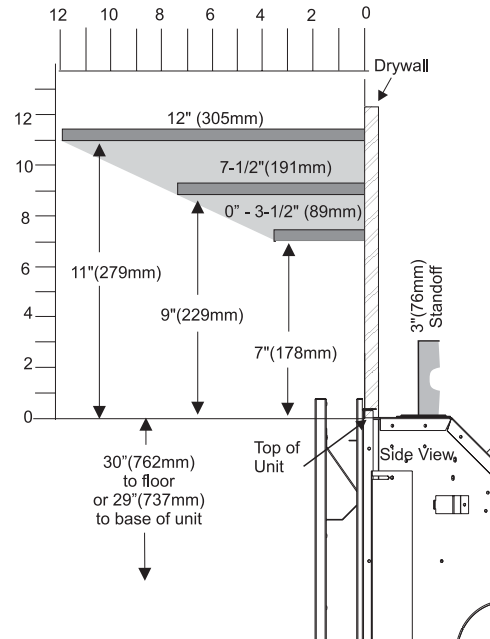
Please note: Due to ongoing product development, product appearance and specifications are subject to change without notice.

Caution Requirements

The top, back and sides of the fireplace are defined by standoffs. The metal ends of the standoff may **NOT** be recessed into combustible construction.

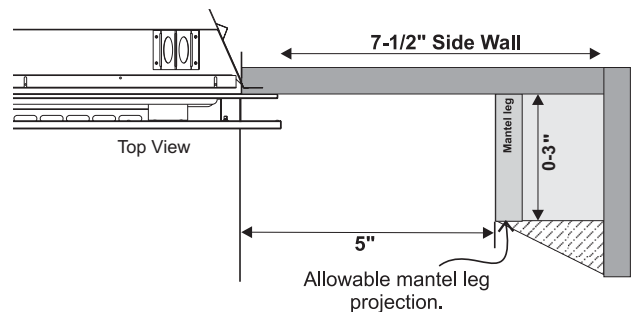
Combustible Mantels with Contemporary Faceplate

Because of the extreme heat this fireplace emits, the mantel clearances are critical. Combustible mantel clearances from top of the louvers are shown in the diagram below. Mantel may be installed anywhere in the shaded area or higher.



Mantel Leg Clearances with Contemporary Faceplate

Combustible mantel leg clearances from side of unit as per diagram below: Clearances are from the finished edge of the unit or an installed front.



WARNING

Fire hazard is an extreme risk if these clearances (air space) to combustible materials are not adhered to. It is of greatest importance that this fireplace and vent system be installed only in accordance with these instructions.

P33 Gas Fireplace

FPI Direct Vent System (Flex) Horizontal Terminations Only

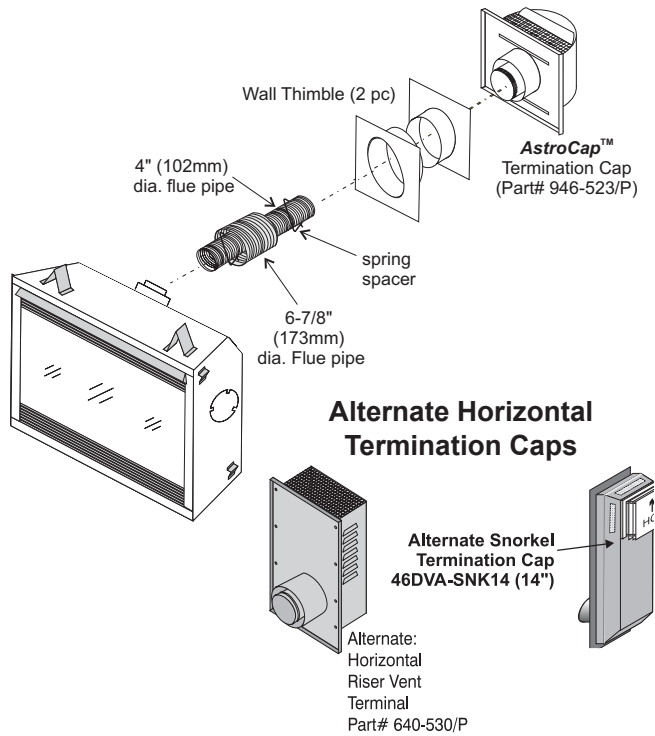
This venting system, in combination with the P33 Direct Vent Gas Fireplace, have been tested and listed as a direct vent heater system by Warnock Hersey. The location of the termination cap must conform to the requirements in the Vent Terminal Locations diagram, see manual.

FPI Direct Vent (Flex) System Termination Kits include all the parts needed to install the P33 using a flexible vent.

FPI Kit #	Length	Contains:
#946-513	2 Feet	1) 6-5/8" flexible liner (Kit length) 2) 4" flexible liner (Kit length) 3) spring spacers (3)
#946-515	4 Feet	4) thimble (2) 5) AstroCap termination cap (1) 6) screws (12)
#946-516	10 Feet	7) tube of Mill Pac (1) 8) plated screws (8) 9) S.S. screws #8 x 1-1/2" drill point, (4)

Notes:

- 1) Liner sections should be continuous without any joints or seams.
- 2) Only Flex pipe purchased from Regency may be used for Flex installations.
- 3) Horizontal sections must be supported every 3 feet.



If required by the external termination location the listed alternate termination caps may be used.

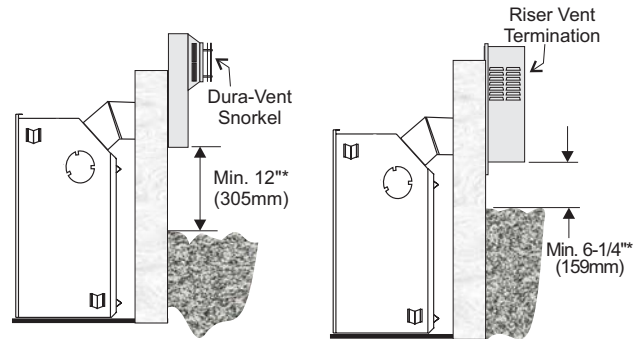
Important

When installing Cabinet Mantels: the wall thimble must be secured first and venting must be attached to unit before sliding into final position.

Snorkel Terminations

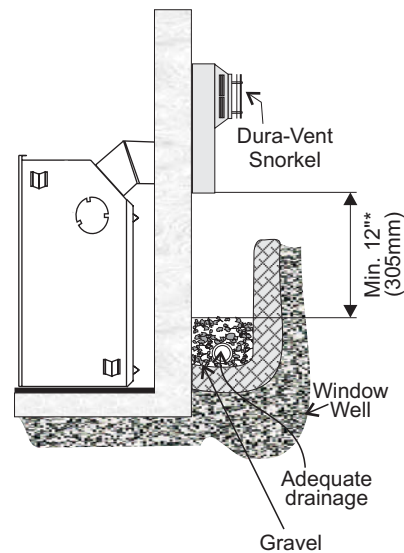
Snorkel Terminations:

For installations requiring a vertical rise on the exterior of the building, 14-inch and 36-inch tall Snorkel Terminations and the Riser Vents are available. Follow the same installation procedures as used for standard Horizontal Termination. NEVER install the snorkel upside down.

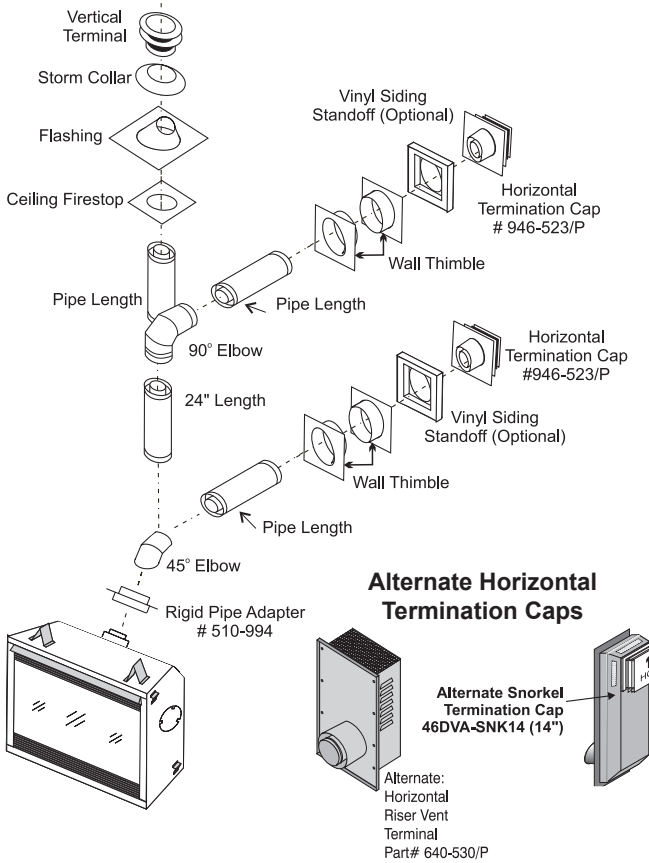


Below Grade Snorkel Installation (Dura-Vent Only)

If the Snorkel Termination must be installed below grade, i.e. basement application, proper drainage must be provided to prevent water from entering the Snorkel Termination. Refer to Rigid Pipe Installation instructions for details. Do not attempt to enclose the Snorkel within the wall, or any other type of enclosure.



Rigid Pipe Venting Horizontal or Vertical Terminations



If required by the external termination location the listed alternate termination caps may be used. (Refer to Page 11)

Venting Arrangements - Vertical Terminations

Rigid Pipe System (Propane & Natural Gas)

The P33 is approved for a maximum 40 ft. straight vertical, with **Rigid Pipe** vent systems for Propane and Natural Gas.

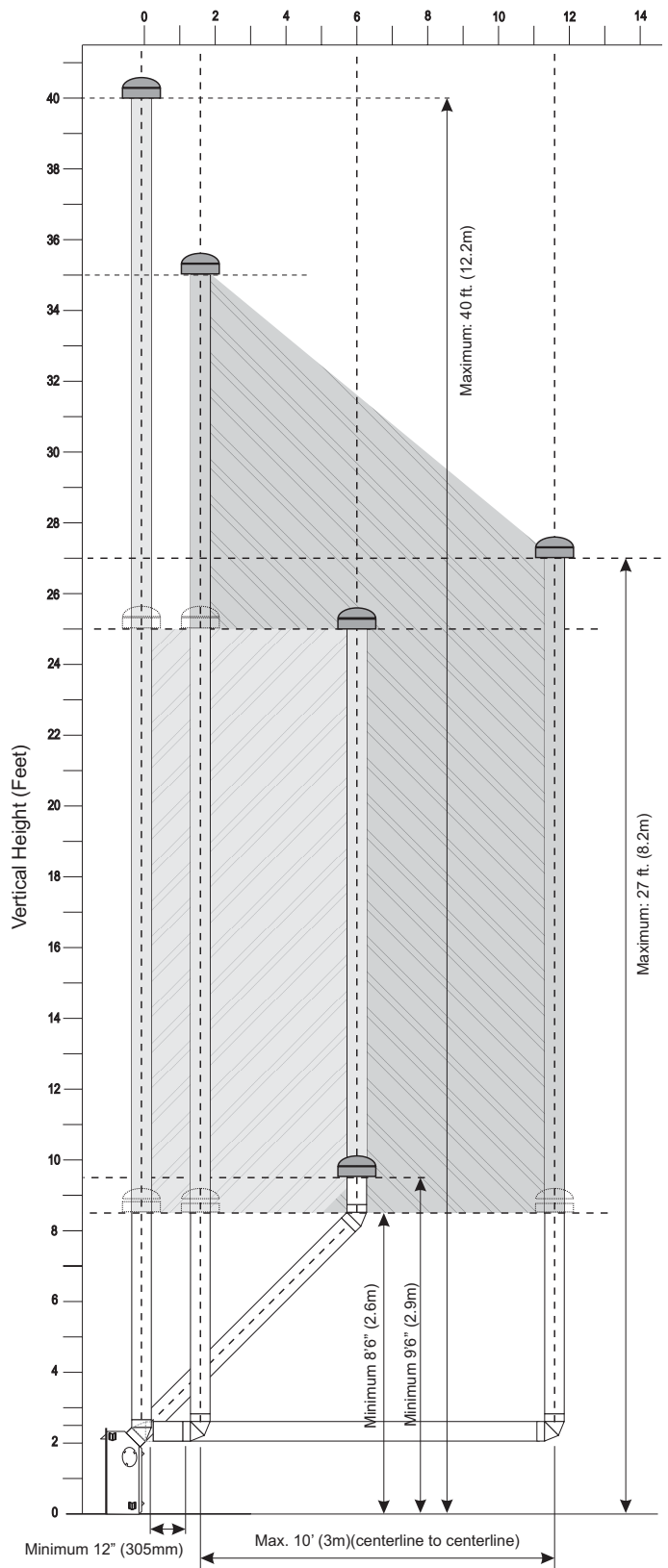
The lightly shaded area, in the diagram shows allowable venting configurations with a maximum two 45° elbows.

The darker shaded area, in the diagram shows allowable venting configurations using one 45° and one 90° elbow.

- Vent must be supported at offsets.
- Horizontal sections must be supported every 3 feet.
- Firestops are required at each floor level and whenever passing through a wall.
- Maintain clearances to combustible materials.
- Minimum of 1' pipe section between elbows.

Note: Must use optional rigid pipe adapter when using Rigid Pipe (Part # 510-994).

* Unit must be raised by 1" when using Contemporary Faceplate

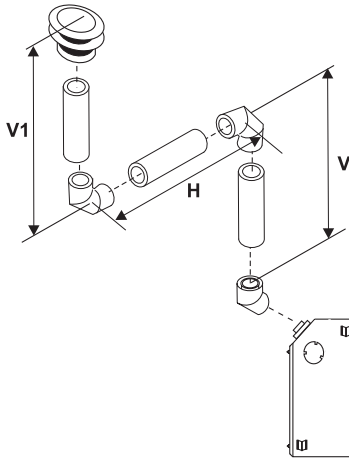


P33 Gas Fireplace

Vertical Venting with Two (2) 90° Elbows - Initial vertical section.

Two 45° elbows = One 90° elbow

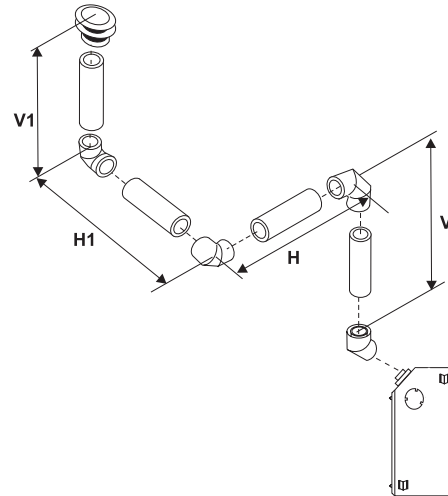
Option	V	H	V+ V1	Maximum total pipe: length, of all sections, must not exceed 30 feet. Total horizontal sections must not exceed 8 feet. Minimum of 1 foot between 90° elbows is required.
A)	1' Min.	4' Max.	2' Min.	
B)	2' Min.	5' Max.	3' Min.	
C)	3' Min.	6' Max.	4' Min.	
D)	4' Min.	7' Max.	5' Min.	
E)	5' Min.	8' Max.	6' Min.	



Vertical Venting with Three (3) 90° Elbows - Initial vertical section.

Two 45° elbows = One 90° elbow

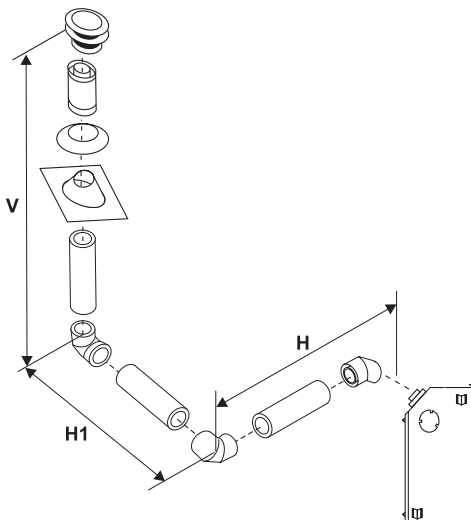
Option	V	H + H1	V+ V1	Maximum total pipe: length, of all sections, must not exceed 30 feet. Total horizontal sections must not exceed 8 feet. Minimum of 1 foot between 90° elbows is required.
A)	2' Min.	3' Max.	4' Min.	
B)	3' Min.	4' Max.	6' Min.	
C)	4' Min.	5' Max.	7' Min.	
D)	5' Min.	6' Max.	8' Min.	
E)	6' Min.	7' Max.	9' Min.	
F)	7' Min.	8' Max.	10' Min.	



Vertical Venting with Two (2) 90° Elbows - Initial horizontal section.

Two 45° elbows = One 90° elbow

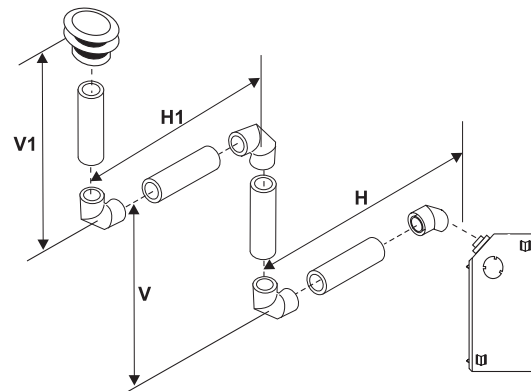
Option	H + H1	V	Maximum total pipe: length, of all sections, must not exceed 30 feet. Total horizontal sections must not exceed 6 feet. Minimum of 1 foot between 90° elbows is required.
A)	2' Max.	2' Min.	
B)	3' Max.	3' Min.	
C)	4' Max.	4' Min.	
D)	5' Max.	5' Min.	
E)	6' Max.	6' Min.	



Vertical Venting with Three (3) 90° Elbows - Initial horizontal section.

Two 45° elbows = One 90° elbow

Option	H	V	H + H1	V+ V1	Maximum total pipe: length, of all sections, must not exceed 30 feet. Total horizontal sections must not exceed 7 feet. Minimum of 1 foot between 90° elbows is required.
A)	1' Max.	1' Min.	3' Max.	3' Min.	
B)	2' Max.	2' Min.	4' Max.	5' Min.	
C)	3' Max.	3' Min.	5' Max.	7' Min.	
D)	4' Max.	4' Min.	6' Max.	9' Min.	
E)	5' Max.	5' Min.	7' Max.	11' Min.	



Venting Arrangements - Horizontal Terminations

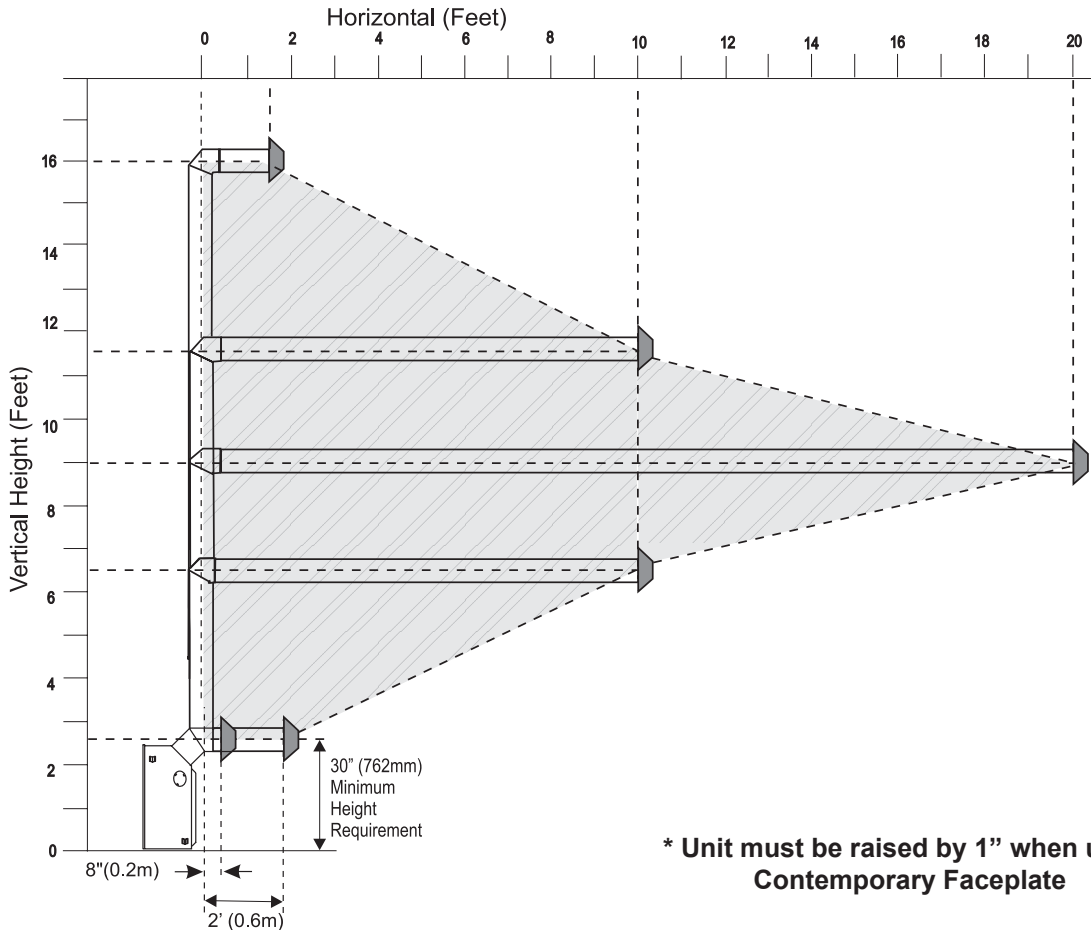
This lightly shaded area of the diagram shows allowable combinations of vertical runs with horizontal terminations, using one 45° and one 90° elbow (two 45° elbows equal one 90° elbow).

Note: Must use optional rigid pipe adapter (Part # 510-994) when using Rigid Pipe.

- Maintain clearances to combustibles.
- Horizontal vent must be supported every 3 feet.
- Firestops are required at each floor level and whenever passing through a wall.

A vent guard may be required as per local codes, **refer to Exterior Vent Termination Locations.**

Note: FPI Direct Vent System (Flex) is only approved for horizontal terminations.



*** Unit must be raised by 1" when using Contemporary Faceplate**

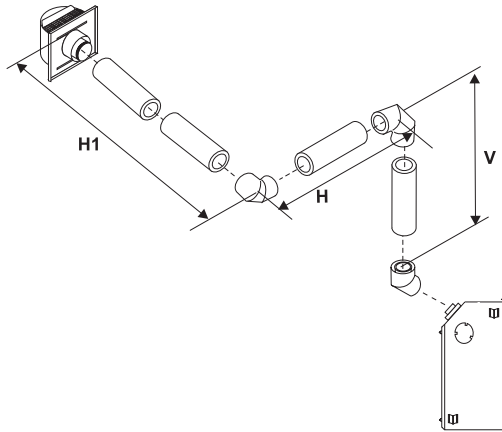
Please refer to Exterior Vent Terminations for additional guidelines on vent locations.

P33 Gas Fireplace

Horizontal Venting with Two (2) 90° Elbows - Initial vertical section.

Two 45° elbows = One 90° elbow

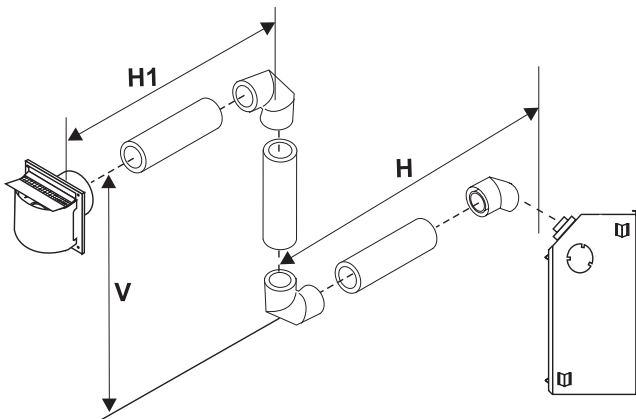
Option	V	H+ H1	Maximum total pipe: length, of all sections, must not exceed 30 feet. Total horizontal sections must not exceed 8 feet. Minimum of 1 foot between 90° elbows is required.
A)	1' Min.	3' Max.	
B)	2' Min.	4' Max.	
C)	3' Min.	5' Max.	
D)	4' Min.	6' Max.	
F)	6' Min.	8' Max.	



Horizontal Venting with Two (2) 90° Elbows - Initial horizontal section.

Two 45° elbows = One 90° elbow

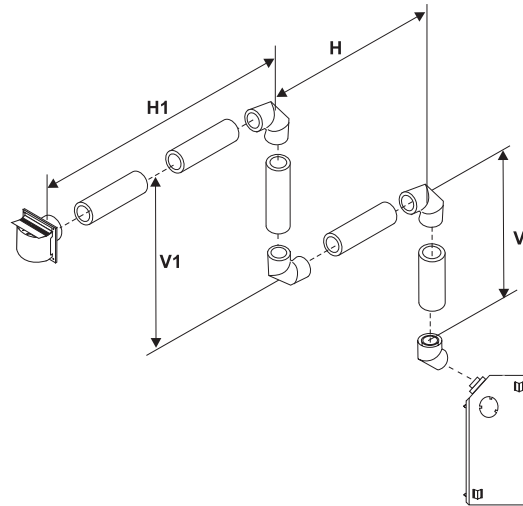
Option	H	V	H + H1	Maximum total pipe: length, of all sections, must not exceed 30 feet. Total horizontal sections must not exceed 8 feet. Minimum of 1 foot between 90° elbows is required.
A)	1' Max.	1' Min.	3' Max.	
B)	2' Max.	2' Min.	5' Max.	
C)	3' Max.	4' Min.	6' Max.	
E)	5' Max.	8' Min.	8' Max.	



Horizontal Venting with Three (3) 90° Elbows - Initial vertical section.

Two 45° elbows = One 90° elbow

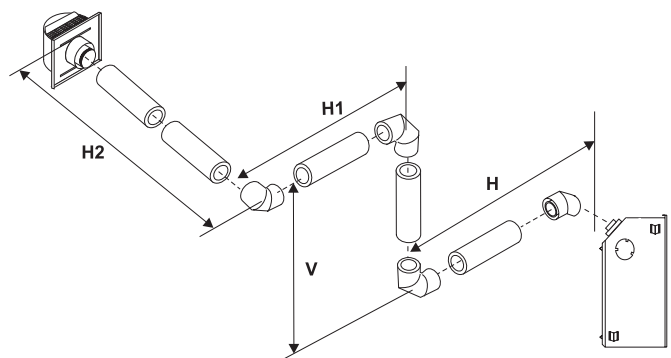
Option	V	H	V+ V1	H + H1	Maximum total pipe: length, of all sections, must not exceed 30 feet. Total horizontal sections must not exceed 8 feet. Minimum of 1 foot between 90° elbows is required.
A)	2' Min.	1' Max.	3' Min.	4' Max.	
B)	3' Min.	2' Max.	4' Min.	5' Max.	
C)	4' Min.	3' Max.	6' Min.	6' Max.	
D)	5' Min.	4' Max.	8' Min.	7' Max.	
F)	7' Min.	6' Max.	12' Min.	9' Max.	



Horizontal Venting with Three (3) 90° Elbows - Initial horizontal section.

Two 45° elbows = One 90° elbow

Option	H	V	H + H1 + H2	Maximum total pipe: length, of all sections, must not exceed 30 feet. Total horizontal sections must not exceed 7 feet. Minimum of 1 foot between 90° elbows is required.
A)	1' Max.	1' Min.	3' Max.	
B)	2' Max.	3' Min.	5' Max.	
C)	3' Max.	5' Min.	6' Max.	
D)	4' Max.	7' Min.	7' Max.	
F)	6' Max.	11' Min.	9' Max.	



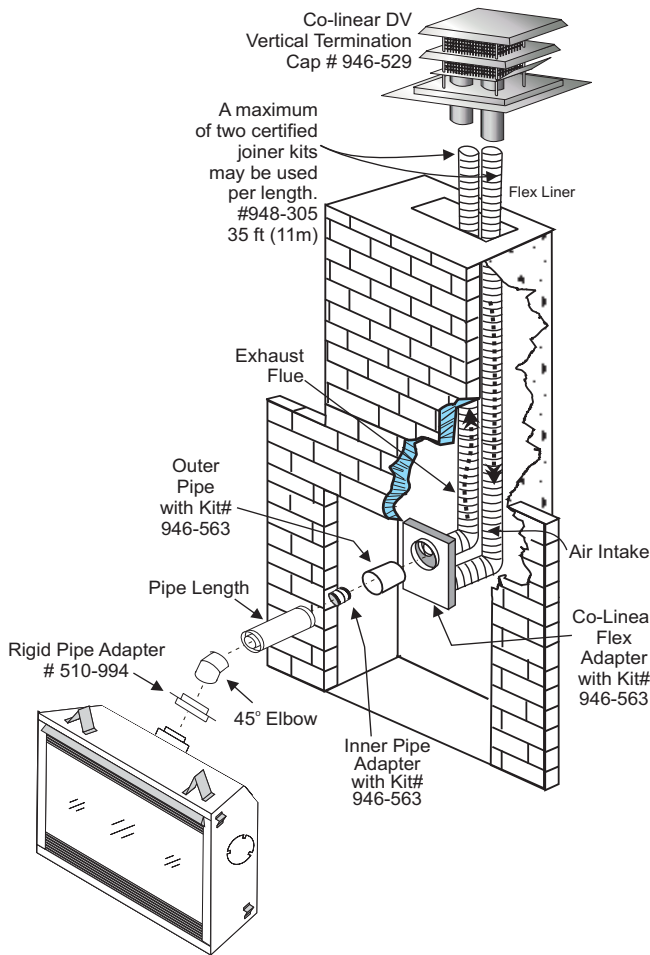
Vertical termination with co-linear flex system

The appliance must not be connected to a chimney flue serving a separate solid fuel burning appliance.

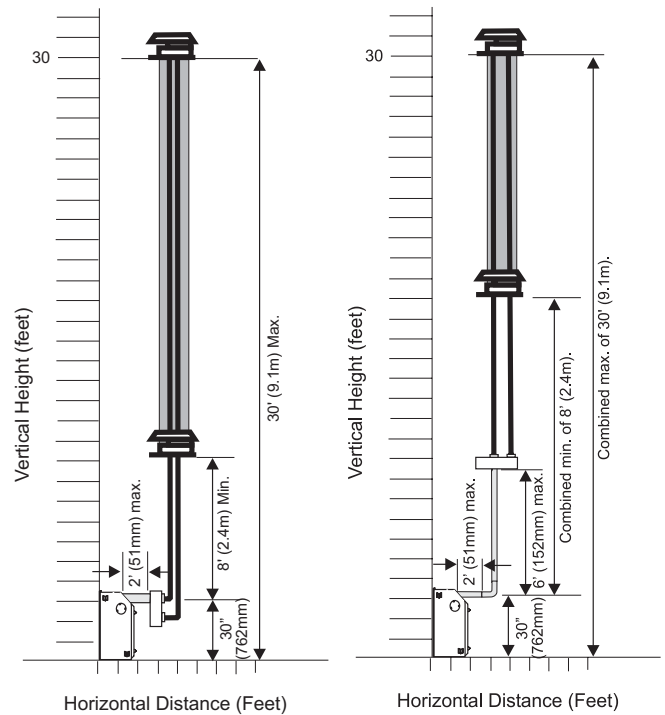
Masonry chimneys may take various contours which the flexible liner will accommodate. However, **keep the flexible liner as straight as possible**, avoid unnecessary bending.

The Air Intake pipe must be attached to the inlet air collar of the termination cap.

This appliance is designed to be attached to two 3" (76mm) co-linear aluminium flex running the full length of the chimney. See the Venting Arrangements for minimum and maximum heights.



Required Parts:	
Part #	Description
946-529	Co-linear DV Vertical Termination Cap
948-305	3" Flex - 35 ft.
946-563	Coaxial to Co-linear Adapter Kit
510-994	Rigid Pipe Adapter
58dva-E45	45° Elbow
Alternate Approved Caps	
46dva-VC	Vertical Termination Cap
46dva-VCH	High Wind Cap
46dva-GK	3" Co-linear Adapter with flashing



The shaded area in the diagrams show the allowable vertical terminations.

Please refer to Exterior Vent Terminations for additional guidelines on vent locations.

Free Manuals Download Website

<http://myh66.com>

<http://usermanuals.us>

<http://www.somanuals.com>

<http://www.4manuals.cc>

<http://www.manual-lib.com>

<http://www.404manual.com>

<http://www.luxmanual.com>

<http://aubethermostatmanual.com>

Golf course search by state

<http://golfingnear.com>

Email search by domain

<http://emailbydomain.com>

Auto manuals search

<http://auto.somanuals.com>

TV manuals search

<http://tv.somanuals.com>