

# Regency L676-1 Sunrise Gas Fireplace



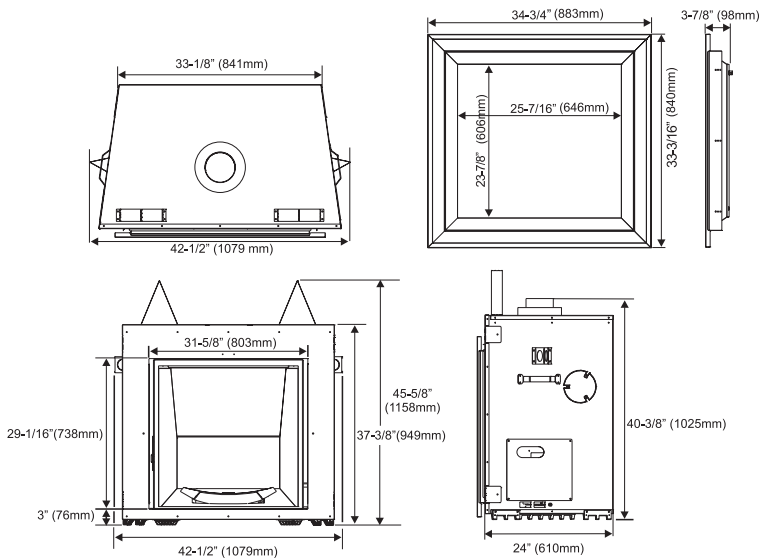
L676-1 Sunrise Gas Fireplace

Model	L676S-NG1	L676S-LP1
Fuel Type	Natural Gas	Propane
Minimum Supply Pressure	5" W.C. (1.25 kPa)	12" W.C. (2.98 kPa)
Manifold Pressure - High	3.5" W.C. (0.87 kPa)	10" W.C. (2.49 kPa)
Manifold Pressure - Low	1.6" W.C. (0.40 kPa)	6.4" W.C. (1.59kPa)
Orifice Size	#37 DMS	#53 DMS
Minimum Input Altitude 0-4500 ft. (0-1372m)	19,500 BTU/h (5.71 kW)	21,000 BTU/h (6.15kW)
Maximum Input Altitude 0-4500 ft. (0-1372m)	29,000 BTU/h (8.49 kW)	26,000 BTU/h (7.61kW)
Vent Sizing	5" Inner / 8" Outer	5" Inner / 8" Outer

Approved Venting Systems	
Flex Vent Systems:	FPI AstroCap™ Flex Vent
Rigid Pipe Vent Systems:	Simpson Direct Vent Pro® Selkirk Direct-Temp™ Metal-Fab® Sure Seal

## Unit Dimensions:

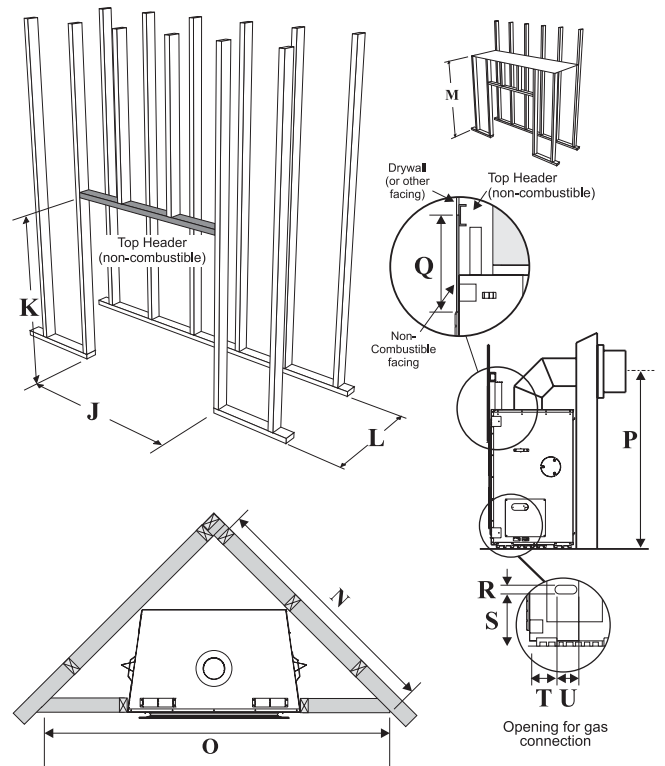
Unit Dimensions	Description	L676S-1
A	Firebox Width w/ Standoff	42-1/2" (1080mm)
B	Rear Firebox Width	33-1/8" (841mm)
C	Firebox Height	37-3/8" (949mm)
D	Height w/ Standoff	45-5/8" (1159mm)
E	Unit Depth	24" (610mm)
F	Height to Vent	40-3/8" (1026mm)
G	Fireplace Opening Height	29-1/16" (738mm)
H	Fireplace Opening Width	31-5/8" (803mm)
I	Height to Fireplace Opening	3" (76mm)



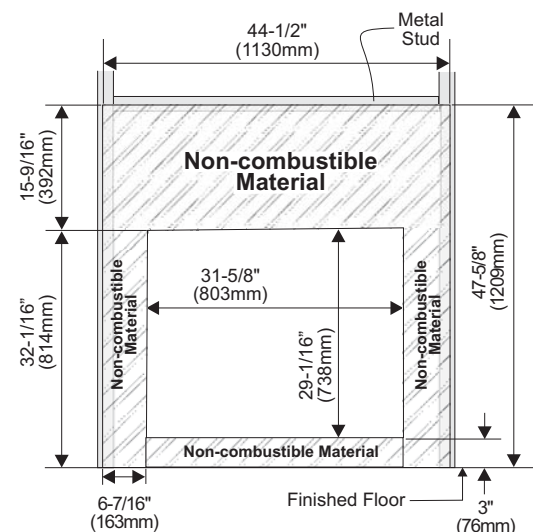
## Framing Dimensions:

Framing Dimensions	Description	L676S-1
J	Framing Width	43" (1092mm)
K***	Framing Height***	45-7/8" (1165mm)*** + Hearth
L	Framing Depth	24-1/2" (622mm)
M	Minimum Height to Combustibles	56-1/4" (1429mm)
N	Corner Wall Length	57-3/16" (1453mm)
O	Corner Facing Wall Width	80-13/16" (2052mm)
P	Vent Centerline Height	49-1/4" (1251mm)
Q	Non-combustible Facing Height	15-9/16" (395mm)
R	Gas Connection Opening Height	2" (51mm)
S	Gas Connection Height	11-1/4" (286mm)
T	Gas Connection Inset	5-3/4" (146mm)
U	Gas Connection Opening Width	5" (127mm)

\*\*\*Important: Framing height requires consideration of the hearth depth. Dimension K = K + the thickness of installed hearth.



## Non-Combustible Requirements:



This manual is intended to be a Sales Reference Guide only. Do NOT use for actual framing and installation of any unit. Some specifications may change without notice. You must use the actual manual for exact installation specifications.

## WARNING

Failure to maintain required clearances is a major cause of chimney related fires. Installation of this fireplace must comply with these clearances

Please note: Due to ongoing product development, product appearance and specifications are subject to change without notice.

L676-1 Sunrise Gas Fireplace

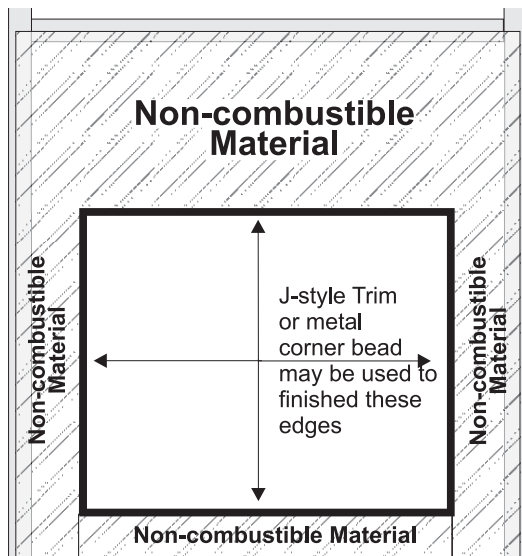
## Finishing Requirements:

**Note:** All non-combustible facing material should butt up cleanly to the flanges around the firebox opening.

Rough edges may be visible, from an angle, through the 1/2" gap behind the faceplate.

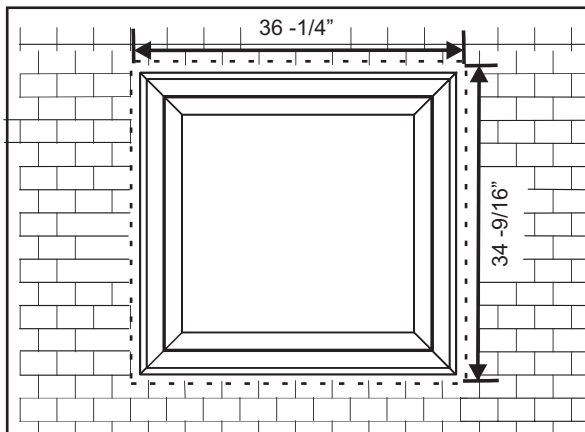
To obtain a clean edge, facing material edges may be finished with a J-style trim or metal corner bead (both materials available at your local building or hardware outlet) see diagram 2.

**Important:** Materials used must be NON-COMBUSTIBLE



Finishing material such as tile, river rock, etc. **must not** protrude beyond the front facing flanges on all 4 sides of the firebox opening.

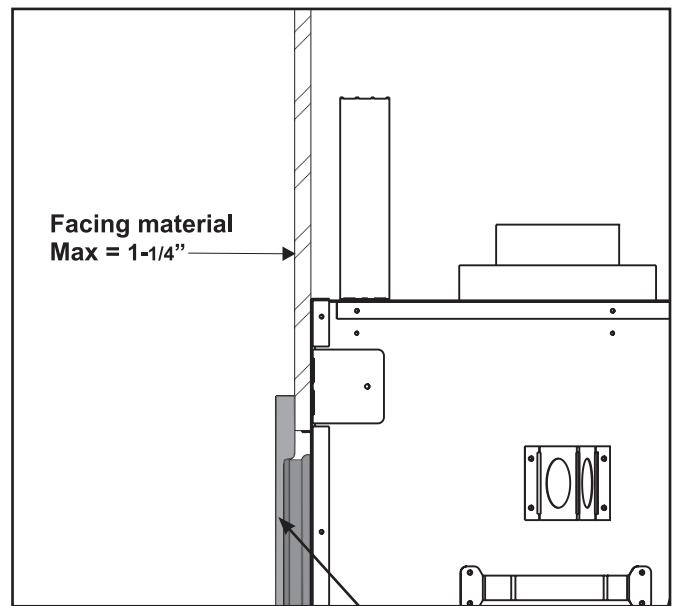
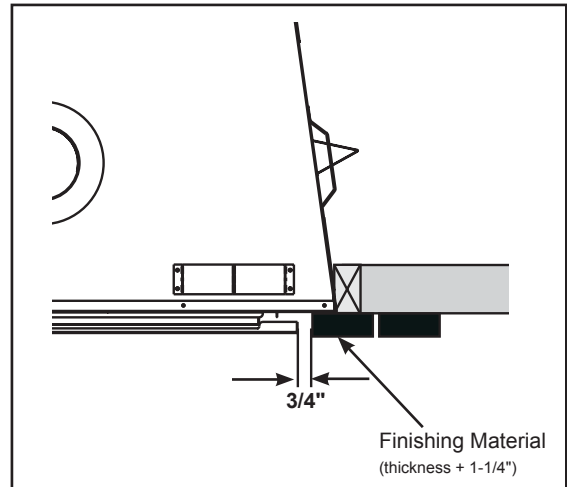
If material such as brick, stone, etc. extends past the faceplate depth, when finishing around the faceplate, the minimum opening dimension noted below must be adhered to - to ensure the faceplate can be removed.



### Important:

A 3/4" gap **must** be maintained all around the outer edge of the faceplate and the edge of any finishing material thicker than 1-1/4").

This gap is required to facilitate the installation of the faceplate and to ensure the removal of the faceplate for service access.

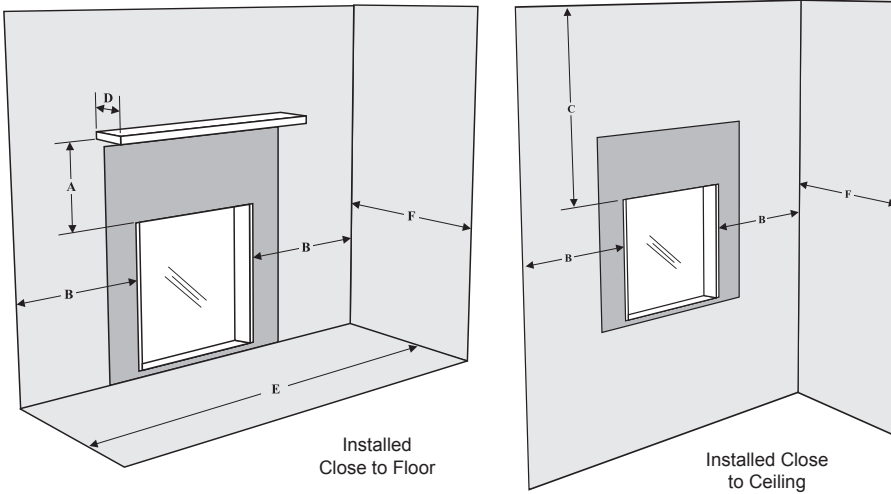


To accommodate various thicknesses of facing material - the faceplate is adjustable to a maximum of 1-1/4" and a minimum of 1/2" .

See chart below.

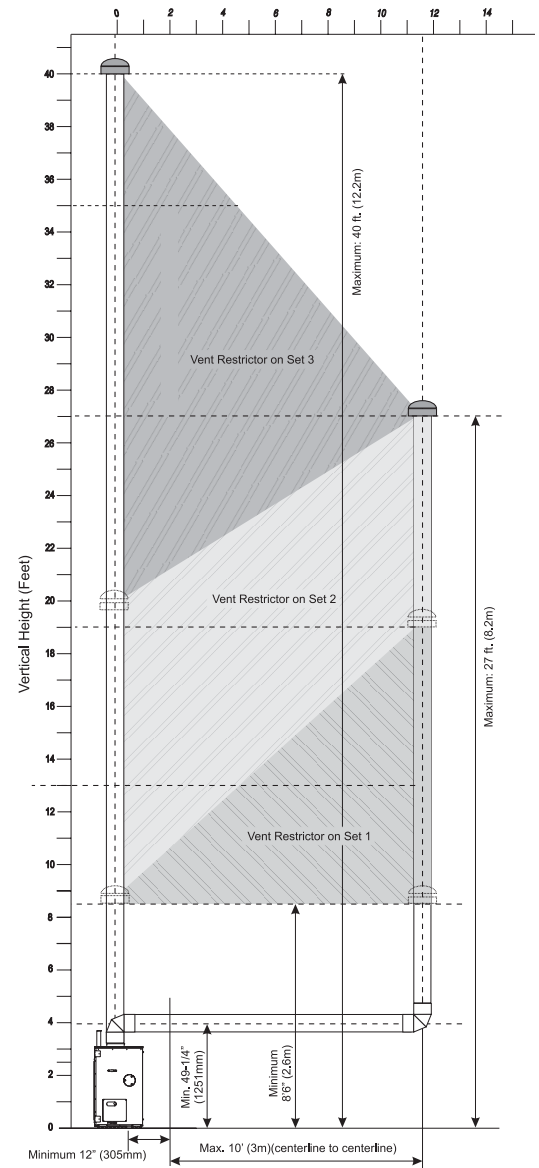
Finished Facing Thickness	Faceplate Adjustment
1/2"	Factory Setting
1/2" - 7/8" (or less)	Adjusted to + 3/8"
7/8" - 1-1/4" (or less)	Adjusted to + 3/4"

## Clearance Requirements:



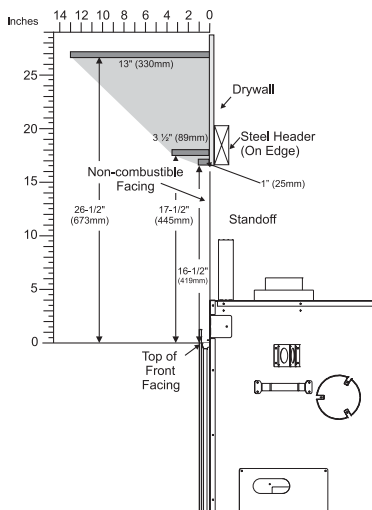
Clearance:	Dimension	Measured From:
<b>A: Mantel Height</b>	16-1/2" (419mm)	Minimum
<b>B: Sidewall</b>	14-3/4" (375mm)	Side of fireplace opening
<b>C: Ceiling</b>	52" (1321mm)	Top of fireplace opening
<b>D: Mantel Depth</b>	13" (330mm)	Maximum
<b>E: Alcove Width</b>	84" (2134mm)	Sidewall to Sidewall (Minimum)
<b>F: Alcove Depth</b>	36" (914mm)	Front to back wall (Maximum)

## Vertical Terminations:



## Combustible Mantels

Because of the extreme heat this fireplace emits, the mantel clearances are critical. Combustible mantel clearances from top of the front facing are shown in the diagram below. Mantel may be installed anywhere in the shaded area or higher.



Mantel Clearances	From Top of Fireplace Opening
A	31-1/16"
B	26-1/2"
C	17-1/2"
D	16-1/2"

### Note:

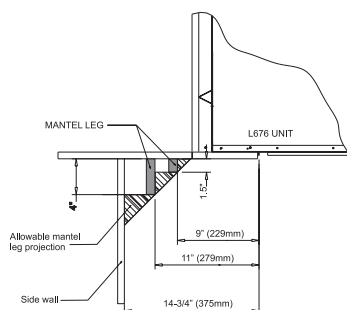
A non-combustible mantel may be installed at a lower height if the framing is made of metal studs covered with a non-combustible board.

Ensure the paint that is used on the mantel and the facing is "heat resistant" or the paint may discolor.

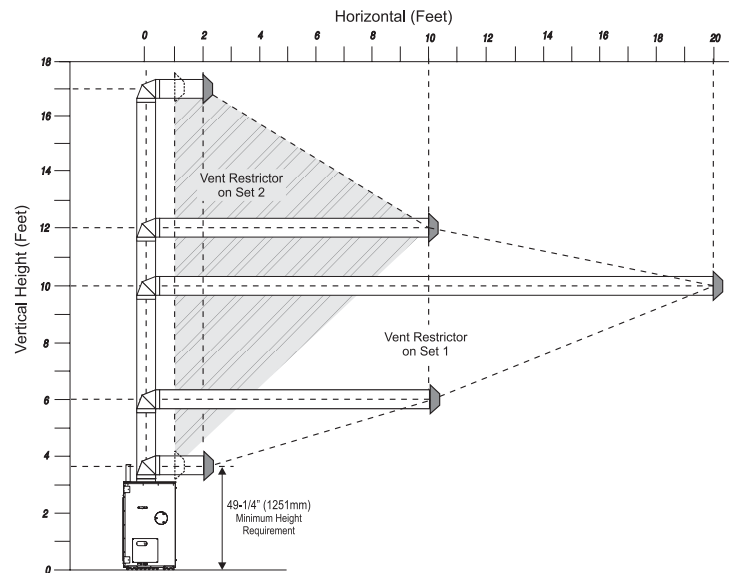
## Mantel Leg Clearances

Combustible mantel leg clearances as per diagram.

Clearances are from the finished edge of the fireplace opening.



## Horizontal Terminations:



## Free Manuals Download Website

<http://myh66.com>

<http://usermanuals.us>

<http://www.somanuals.com>

<http://www.4manuals.cc>

<http://www.manual-lib.com>

<http://www.404manual.com>

<http://www.luxmanual.com>

<http://aubethermostatmanual.com>

Golf course search by state

<http://golfingnear.com>

Email search by domain

<http://emailbydomain.com>

Auto manuals search

<http://auto.somanuals.com>

TV manuals search

<http://tv.somanuals.com>