



www.regency-fire.com

**P33R Zero Clearance Rear Direct Vent Gas Fireplace**

**Owners & Installation Manual**



MODELS: P33R-NG2 Natural Gas P33R-LP2 Propane

**WARNING:**

If the information in these instructions are not followed exactly, a fire or explosion may result causing property damage, personal injury or loss of life.

**FOR YOUR SAFETY**

Do not store or use gasoline or other flammable vapors and liquids in the vicinity of this or any other appliance.

Installation and service must be performed by a qualified installer, service agency or the gas supplier.

**FOR YOUR SAFETY**

What to do if you smell gas:

- Do not try to light any appliance
- Do not touch any electrical switch: do not use any phone in your building.
- Immediately call your gas supplier from a neighbour's phone. Follow the gas supplier's instructions.
- If you cannot reach your gas supplier, call the fire department.

Tested by:



*Installer:* Please complete the details on the back cover and leave this manual with the homeowner.

*Homeowner:* Please keep these instructions for future reference.

## To the New Owner:

Congratulations!

You are the owner of a state-of-the-art Gas Stove by FIREPLACE PRODUCTS INTERNATIONAL.

The P33R-2 is a hand crafted appliance and has been designed to provide you with all the warmth and charm of a wood fireplace at the flick of a switch. The model P33R-2 has been approved by Warnock Hersey for both safety and efficiency. As it also bears our own mark, it promises to provide you with economy, comfort and security for many trouble free years to follow. Please take a moment now to acquaint yourself with these instructions and the many features of your Regency Fireplace.

## INFORMATION FOR MOBILE/MANUFACTURED HOMES AFTER FIRST SALE

This Regency product has been tested and listed by Warnock Hersey as a Direct Vent Wall Furnace to the following standards: ANSI Z21.44-1995, CAN1-2.19-M81, CAN/CGA-2.17-M91 and ANSI Z21.88-1998/CSA 2.33-M98.

This Direct Vent System Appliance must be installed in accordance with the manufacturer's installation instructions and the Manufactured Home Construction and Safety Standard, Title 24 CFR, Part 3280, or the current Standard of Fire Safety Criteria for Manufactured Home Installations, Sites, and Communities ANSI/NFPA 501A, and with CAN/CSA Z240-MH Mobile Home Standard in Canada.

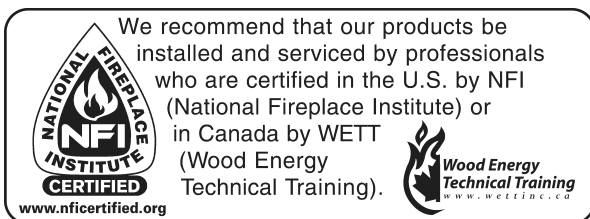
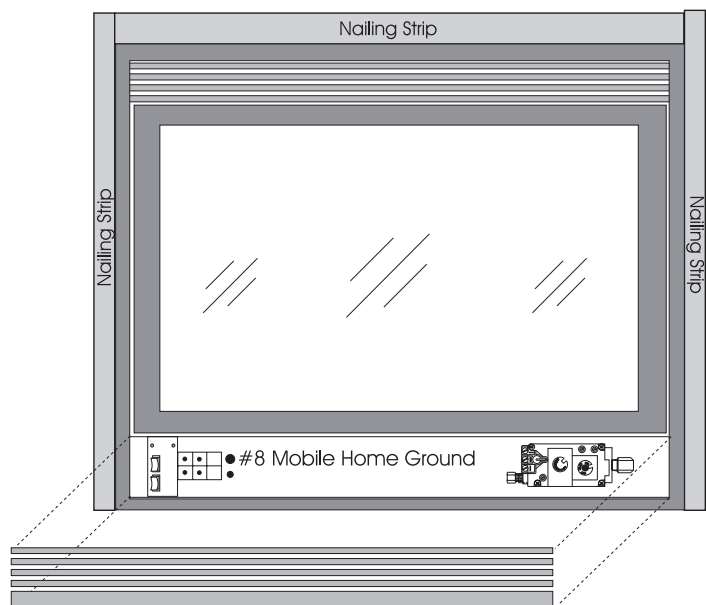
This appliance installation must comply with the manufacturer's installation instructions and local codes, if any. In the absence of local codes follow the current National Fuel Gas Code, ANSI Z223.1 and the current National Electrical Code ANSI/NFPA 70 in the U.S.A., and the current CAN/CGA B149 Gas Installation Code and the current Canadian Electrical Code CSA C22.1 in Canada.

**This Regency Mobile/Manufactured Home Listed appliance comes factory equipped with a means to secure the unit.**

**This Regency Mobile/Manufactured Home listed appliance comes equipped with a dedicated #8 ground lug to which an 18 gauge copper wire from the steel chassis ground must be attached.**

**This appliance may be installed in an aftermarket permanently located, manufactured (mobile) home, where not prohibited by local codes.**

**This appliance is only use with the type of gas indicated on the rating plate. This appliance is not convertible for use with other gases, unless a certified kit is used.**



We recommend that our products be installed and serviced by professionals who are certified in the U.S. by NFI (National Fireplace Institute) or in Canada by WETT (Wood Energy Technical Training).



# SAFETY LABEL

This is a copy of the label that accompanies each P33R-2 Zero Clearance Direct Vent Gas Fireplace. We have printed a copy of the contents here for your review. The safety label is located on the front inside base of the unit, visible when the bottom louver is open.

NOTE: Regency units are constantly being improved. Check the label on the unit and if there is a difference, the label on the unit is the correct one.

For the State of Massachusetts, installation and repair must be done by a plumber or gasfitter licensed in the Commonwealth of Massachusetts.

For the State of Massachusetts, flexible connectors shall not exceed 36 inches in length.


For the State of Massachusetts, the appliances individual manual shut-off must be a t-handle type valve.

**DO NOT REMOVE THIS LABEL / NE PAS ENLEVER CETTE ÉTIQUETTE**

**Warnock Hersey**  
**CFR US**

**Listed: VENTED GAS FIREPLACE HEATER**  
**Certified for/Certifiée pour: CANADA and U.S.A.**  
**Tested to: CAN/CGA-2.17-M91,**  
**ANSI Z21.88b-1999/CSA 2.33b-M99,**  
**Report No. 476-1781-00 (Feb. 2000)**

Serial No./ No de serie  
**211**



**MAY BE INSTALLED IN MANUFACTURED (MOBILE) HOMES AFTER FIRST SALE.**

| <b>NATURAL GAS: Model P33R-NG2</b> |                         | <b>PROPANE: Model P33R-LP2</b> |                         |
|------------------------------------|-------------------------|--------------------------------|-------------------------|
| Minimum supply pressure            | 5" WC (1.25 kPa)        | Minimum supply pressure        | 12" WC (2.49 kPa)       |
| Manifold pressure high             | 3.8" WC (0.95 kPa)      | Manifold pressure high         | 11" WC (2.99 kPa)       |
| Manifold pressure low              | 1.1" WC (0.27 kPa)      | Manifold pressure low          | 2.9" WC (0.72 kPa)      |
| Orifice size                       | # 45 DMS                | Orifice size                   | # 54 DMS                |
| Minimum input                      | 10,500 Btu/h (3.08 kW)  | Minimum input                  | 10,500 Btu/h (3.08 kW)  |
| Maximum input                      | 21,000 Btu/h (6.15 kW)  | Maximum input                  | 21,000 Btu/h (6.15 kW)  |
| Altitude                           | 0-4500 ft/pi (0-1372 m) | Altitude                       | 0-4500 ft/pi (0-1372 m) |

**Minimum Clearances to Combustibles / Degagement Minimum De Matériaux Combustibles**

**0" Clearance to combustibles from:**  
Top, sides, bottom and rear of unit

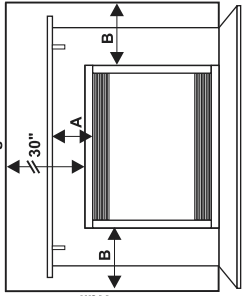
**Mantel Clearances from Top:**  
(A) Min. 7" (177mm)

**Side Wall Clearance from Side Facing with Flush or Bay Front**  
B) 7.5" (191mm)

**Alcove Clearances for Bay & Flush Louvers:**  
Max. Depth 36" (914mm)  
Min. Width 48" (1219mm)  
Min. Height 59" (1499mm)

(See Instruction Manual for Detailed Instructions)

**The "Bay Louvers" MUST be used with the Bay Glass option**



Horizontal Terminations require the use of the **AstroCap™** (Part # 946-523)  
Minimum clearance of Vent Terminal to Outside Corner & Inside Corner: 6"/150mm

**VENTING:** Use listed Simpson Dura-Vent GS System or Regency Direct Vent System. Only for direct discharge without duct connection. This appliance must be installed in accordance with the manufacturer's installation instructions and with local codes, if any; if not, follow the current ANSI Z223.1 in the USA or the current CAN 1-B149 in Canada. For Manufactured Home Installation: This Direct Vent System Appliance must be installed in accordance with the manufacturer's installation instructions and Manufactured Home Construction and Safety Standard Title 24 CFR, Part 3280, or the current Standard for Fire Safety Criteria for Manufactured Home Installations, Sites, and Communities ANSI/NFPA 501A, and with CAN/CSA Z240 MH Mobile Home Standard in Canada. **This vented gas fireplace heater is not for use with air filters.**

Electrical supply 115VAC, 1.13 A, 60Hz.  
Fan (Part # 432-917) Optional Bay Window (Part #430-930) Option: HeatWave Kit # 946-556  
**Not for use with solid fuel.**

**DOOR SEAL: Please check that the door is properly sealed**

**FPI Fireplace Products International Ltd.**  
Delta, BC, Canada  
Made in Canada/  
Fabrique au Canada 908-266 rev. 10/03

## IMPORTANT: SAVE THESE INSTRUCTIONS

The P33R-NG2 or P33R-LP2 Direct Vent Fireplace must be installed in accordance with these instructions. Carefully read all the instructions in this manual first. Consult the "authority having jurisdiction" to determine the need for a permit prior to starting the installation. It is the responsibility of the installer to ensure this fireplace is installed in compliance with manufacturer's instructions and all applicable codes.

### BEFORE YOU START

Safe installation and operation of this appliance requires common sense, however, we are required by the Canadian Safety Standards and ANSI Standards to make you aware of the following:

**INSTALLATION AND REPAIR SHOULD BE DONE BY A QUALIFIED SERVICE PERSON. THE APPLIANCE SHOULD BE INSPECTED BEFORE USE AND AT LEAST ANNUALLY BY A PROFESSIONAL SERVICE PERSON. MORE FREQUENT CLEANING MAY BE REQUIRED DUE TO EXCESSIVE LINT FROM CARPETING, BEDDING MATERIAL, ETC. IT IS IMPERATIVE THAT CONTROL COMPARTMENTS, BURNERS AND CIRCULATING AIR PASSAGEWAYS OF THE APPLIANCE BE KEPT CLEAN.**

**DUE TO HIGH TEMPERATURES, THE APPLIANCE SHOULD BE LOCATED OUT OF TRAFFIC AND AWAY FROM FURNITURE AND DRAPERIES.**

**WARNING: FAILURE TO INSTALL THIS APPLIANCE CORRECTLY WILL VOID YOUR WARRANTY AND MAY CAUSE A SERIOUS HOUSE FIRE.**

**CHILDREN AND ADULTS SHOULD BE ALERTED TO THE HAZARDS OF HIGH SURFACE TEMPERATURES, ESPECIALLY THE FIREPLACE GLASS, AND SHOULD STAY AWAY TO AVOID BURNS OR CLOTHING IGNITION.**

**YOUNG CHILDREN SHOULD BE CAREFULLY SUPERVISED WHEN THEY ARE IN THE SAME ROOM AS THE APPLIANCE.**

**CLOTHING OR OTHER FLAMMABLE MATERIAL SHOULD NOT BE PLACED ON OR NEAR THE APPLIANCE.**

### GENERAL SAFETY INFORMATION

- 1) The appliance installation must conform with local codes or, in the absence of local codes, with the current Canadian or National Gas Codes, CAN1-B149 or ANSI Z223.1 Installation Codes.
- 2) The appliance when installed, must be electrically grounded in accordance with local codes, or in the absence of local codes with the current National Electrical Code, ANSI/NFPA 70 or CSA C22.1 Canadian Electrical Code.
- 3) See general construction and assembly instructions. The appliance and vent should be enclosed.
- 4) This appliance must be connected to the specified vent and termination cap to the outside of the building envelope. Never vent to another room or inside a building. Make sure that the vent is fitted as per Venting instructions.
- 5) Inspect the venting system annually for blockage and any signs of deterioration.
- 6) Venting terminals shall not be recessed into a wall or siding.
- 7) Any safety glass removed for servicing must be replaced prior to operating the appliance.
- 8) To prevent injury, do not allow anyone who is unfamiliar with the operation to use the fireplace.
- 9) Wear gloves and safety glasses for protection while doing required maintenance.

- 10) Be aware of electrical wiring locations in walls and ceilings when cutting holes for termination.
- 11) Under no circumstances should this appliance be modified. Parts that have to be removed for servicing should be replaced prior to operating this appliance.
- 12) Installation and any repairs to this appliance should be done by a qualified service person. A professional service person should be called to inspect this appliance annually. Make it a practice to have all of your gas appliances checked annually.
- 13) Do not slam shut or strike the glass door.
- 14) Under no circumstances should any solid fuels (wood, paper, cardboard, coal, etc.) be used in this appliance.
- 15) The appliance area must be kept clear and free of combustible materials, (gases and other flammable vapours and liquids).

Emissions from burning wood or gas could contain chemicals known to the State of California to cause cancer, birth defects or other reproductive harm.

### MANUFACTURED MOBILE HOME ADDITIONAL REQUIREMENTS

- 1) Ensure that structural members are not cut or weakened during installation.
- 2) Ensure proper grounding using the #8 ground lug provided. See page 26.



# INSTALLATION

## INSTALLATION CHECKLIST

- 1) Locate appliance
  - a) Room location, page 6
  - b) Clearances to Combustibles, page 6
  - c) Mantle Clearances, page 7
  - d) Framing & Finishing Requirements, page 8
  - e) Venting Requirements, pages 10 to 15.
- 2) Assemble Top Facing Support and Side Nailing Strips, page 8. (NOTE: must be done before installing unit into fireplace.)
- 3) Install vent, pages 10 to 19.
- 4) Make gas and electrical connections. Test the pilot. Must be as per diagram. Page 20. Convert to Propane if desired, page 21.
- 5) Install brick panels (optional), page 22.
- 6) Install logs and embers and rockwool where indicated on page 22.
- 7) Install Flush Door Front (Standard) and optional Flush Gold Trim, page 23.
- 8) Install optional Double Screen Door, page 24.
- 9) Install Optional Bay Front and optional Bay Gold Trim, page 24.
- 10) Install Louvers (Flush or Bay), pages 24 and 25.
- 11) Install optional Wall Switch, Remote Control, or Wall Thermostat, page 25.
- 11) Install Optional Fan, page 27.
- 13) Final check.

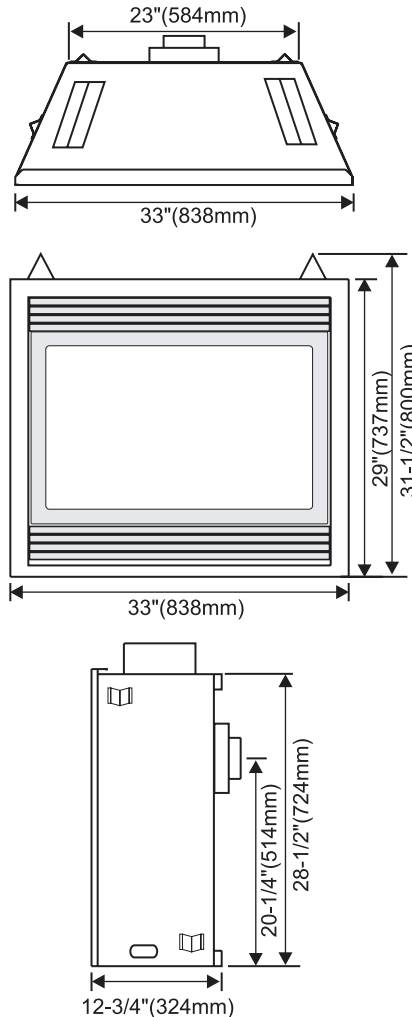
Before leaving this unit with the customer, the installer must ensure that the appliance is firing correctly and **operation fully explained to customer.**

### This includes:

- 1) Clocking the appliance to ensure the correct firing rate (rate noted on label) after burning appliance for 15 minutes.
- 2) If required, adjusting the primary air to ensure that the flame does not carbon. First allow the unit to burn for 15-20 min. to stabilize.

**CAUTION: Any alteration to the product that causes sooting or carboning that results in damage is not the responsibility of the manufacturer.**

## UNIT DIMENSIONS

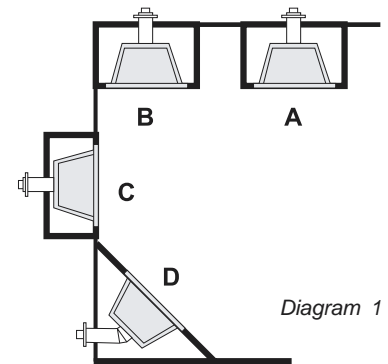


## LOCATING YOUR GAS STOVE

- 1) When selecting a location for your stove, ensure that the clearances outlined on this page are met.
- 2) Provide adequate clearances for servicing.
- 3) The appliance must be installed on a flat, solid, continuous surface (e.g. wood, metal, concrete). This may be the floor, or raised up on a platform to enhance its visual impact. If the appliance is going to be installed on carpeting, combustible linoleum tile or other combustible material other than wood flooring, the appliance must be installed on a metal or wood panel extending the full width and depth of the appliance.
- 4) The P33R-2 Direct Vent Gas Fireplace can be installed in a recessed position or framed out into the room as in A, B, C, D. See Dia. 1.

- 5) This appliance is Listed for bedroom installations when used with a Listed Millivolt Thermostat. Some areas may have further requirements, check local codes before installation.
- 6) The P33R-2 Direct Vent Gas Fireplace is approved for alcove installations, which meet the clearances listed on this page.
- 7) We recommend that you plan your installation on paper using exact measurements for clearances and floor protection before actually installing this appliance. Have a qualified inspector, dealer, or installer review your plans before installation.

Note: For vent terminations see page 10.



- A) Flat on Wall
- B) Flat on Wall Corner
- C) Recessed into Wall/Alcove
- D) Corner



## DUCT SYSTEM OPTION KIT #946-556

The **HeatWave** Air Duct Kit increases the effectiveness of your fireplace by dispersing warm air from the fireplace to remote locations in the same room or other rooms in your home.

Up to two kits may be installed on the fireplace. **Please Note:** Only 1 HeatWave kit may be operated at one time. This includes the internal blower option as well.

## CLEARANCES

The clearances listed below are Minimum distances unless otherwise stated:

A major cause of chimney related fires is failure to maintain required clearances (air space) to combustible materials. It is of the greatest importance that this fireplace and vent system be installed only in accordance with these instructions.

### Clearance to Combustibles from:

|              |    |       |
|--------------|----|-------|
| <b>Back</b>  | 0" | (0mm) |
| <b>Side</b>  | 0" | (0mm) |
| <b>Floor</b> | 0" | (0mm) |

NOTE: The minimum floor clearance must be maintained from the top surface of the carpeting, tile, etc.

### Minimum Clearance from Top of Unit to:

|                |         |                           |
|----------------|---------|---------------------------|
| <b>Mantel*</b> | min. 7" | (177mm)                   |
| <b>Ceiling</b> | 30"     | (762mm) from top of unit. |

### Side Wall Clearance

**Bay or Flush Front** 7-1/2" (191mm)

### Vent

|        |                          |
|--------|--------------------------|
| 1-1/2" | (38mm) Flex              |
| 1-1/4" | (32mm) Simpson Dura-Vent |

### Alcove Clearances:

|                    |     |          |
|--------------------|-----|----------|
| <b>Max. Depth</b>  | 36" | (914mm)  |
| <b>Min. Width</b>  | 48" | (1219mm) |
| <b>Min. Height</b> | 59" | (1499mm) |

\* see mantle clearance instructions (page 7).

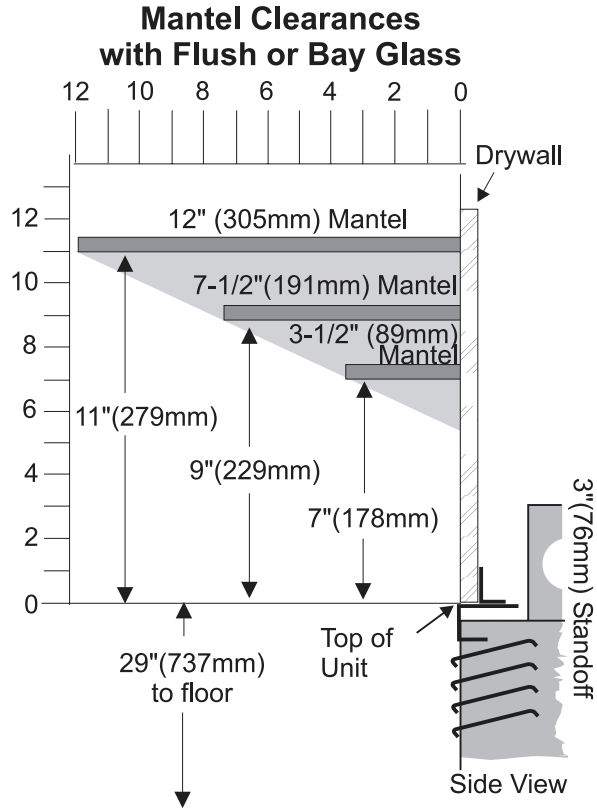
### WARNING

Fire hazard is an extreme risk if these clearances are not adhered to.

## COMBUSTIBLE MANTELS

Because of the extreme heat this fireplace emits, the mantel clearances are critical. Combustible mantel clearances from top of unit are shown in the diagram below.

Note: A non-combustible mantel may be installed at a lower height if the framing is made of metal studs covered with a non-combustible board.

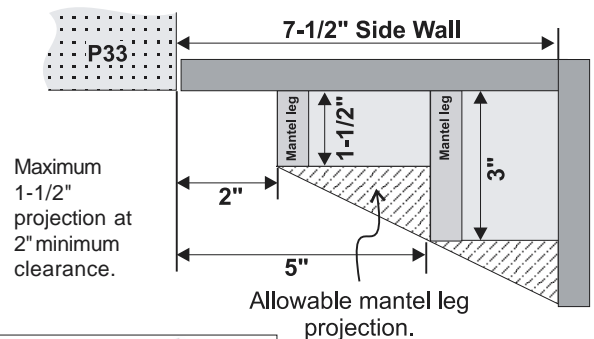


This drawing is to scale at 1:6 (one inch = 6 inches). Mantel can be installed anywhere in shaded area or higher using the above scale.

Note: Ensure the paint that is used on the mantel and the facing is "heat resistant" or the paint may discolour.

## MANTEL LEG CLEARANCES

Combustible mantel leg clearances as per diagram below:

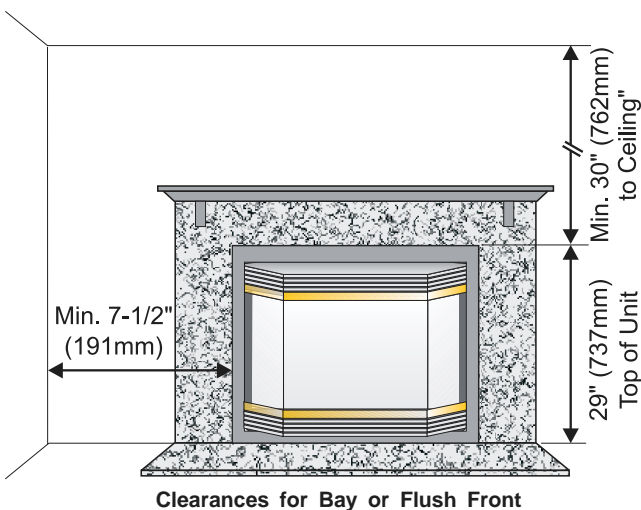


Maximum 1-1/2" projection at 2" minimum clearance.

Allowable mantel leg projection.

**HeatWave**

The **HeatWave** Duct Kit has different clearance and framing requirements, check the **HeatWave** manual for details.

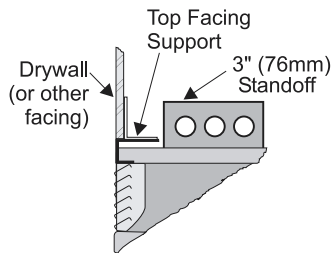


# INSTALLATION

## FRAMING AND FINISHING

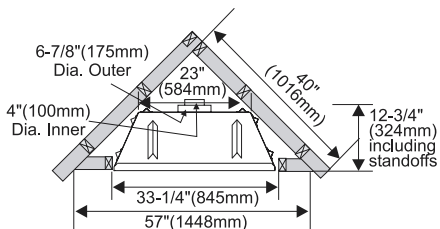
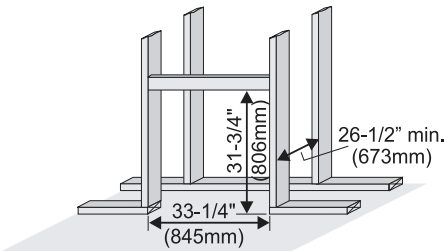
- 1) Determine the total thickness of facing material (e.g. drywall plus ceramic tiles) to allow the finished surface to be flush with the front of the unit. Total facing thickness can vary from 1/2" (13mm) to 1-1/4" (32mm) thick.

**Install Side Nailing Strips, and Top Facing Support before unit is slipped into position. See page 9 for assembly details.**



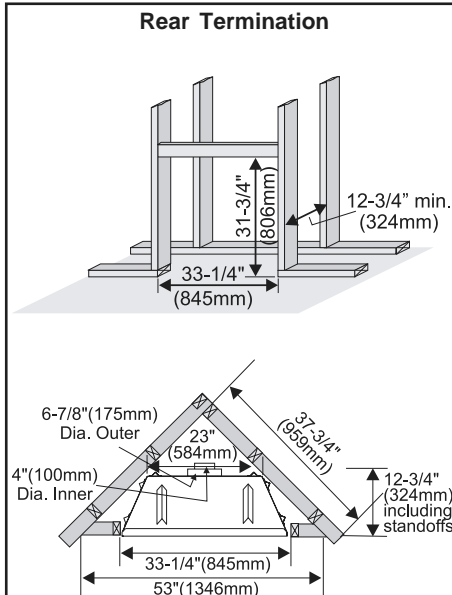
- 2) Frame in the enclosure for the unit with framing material.

### Vertical Termination or Vertical Rise with Horizontal Termination



**NOTE:** If this is an outside corner, the minimum distance between the vent and the outside corner is 6" (15cm) with AstroCap termination cap or 12" (30cm) with Dura-Vent termination cap.

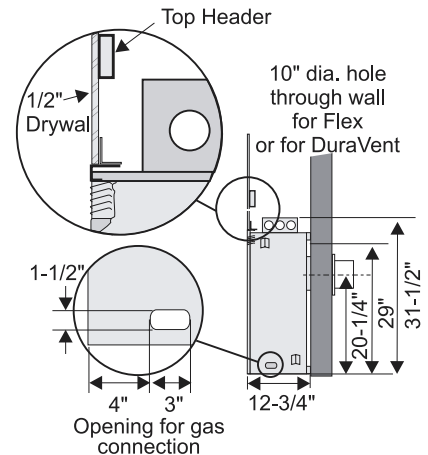
### Rear Termination



**NOTE:** If this is an outside corner, the minimum distance between the vent and the outside corner is 6" (15cm) with AstroCap termination cap or 12" (30cm) with Dura-Vent termination cap.

- 3) For exterior walls, insulate the enclosure to the same degree as the rest of the house, apply vapour barrier and drywall, as per local installation codes. (**Do not insulate the fireplace itself.**)
- 4) The top of the unit must not be closer than 30" (762mm) to the ceiling.
- 5) Combustible material may be brought up to the top and sides of the unit and be covered with ceramic tiles, bricks, rock or other suitable combustible finishing materials.

**Note:** The unit does not have to be completely enclosed in a chase. The clearance on top of the unit is 0" to the standoffs so combustible building materials can be laid directly on top of the standoffs. You must maintain 1-1/2" (38mm) clearance from the vent to combustible materials for flex (1-1/4" for Simpson Dura-Vent).



- 6) Use steel studs for framing where the 1-1/2" (38mm) clearance from the vent to combustible material cannot be maintained.

**Heat Wave**

The **HeatWave** Duct Kit has different clearance and framing requirements, check the **HeatWave** manual for details.

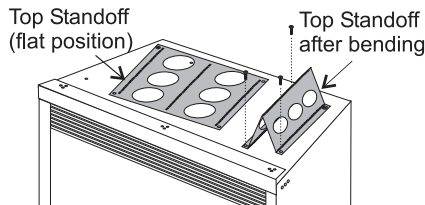
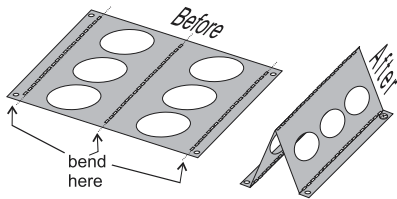


## UNIT ASSEMBLY PRIOR TO INSTALLATION

The Top Facing Support, the Side Nailing Strips and the 2 Top Standoffs must be correctly positioned and attached to the top before unit is slipped into position.

### Top Standoff Assembly

The top standoffs are shipped in a flat position and must be pulled up and bent into the correct shape. Setup each of the 2 Top Standoff by bending up at the bend lines until the screw hole in the standoff and the pre-punched screw holes on the top line up. Use three more screws per standoff to attach securely to the top.



### Top Facing Support & Side Nailing Strips

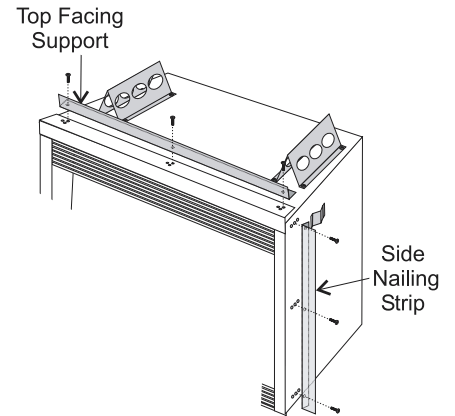
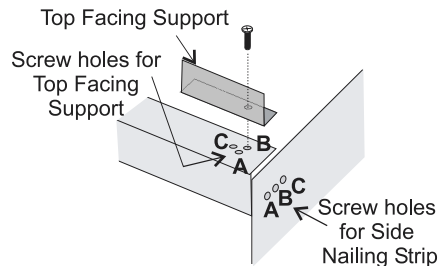
Determine the total thickness of facing material (e.g. drywall plus ceramic tiles) to allow the finished surface to be flush with the front of the unit. Total facing thickness can vary from 1/2" (13mm) to 1-1/4" (32mm) thick.

The Top Facing Support & Side Nailing Strips can be mounted in 3 different positions depending on the thickness of the facing material.

| Screw Position | Facing Material Depth |
|----------------|-----------------------|
| A              | 1/2" / 13mm           |
| B              | 7/8" / 22mm           |
| C*             | 1-1/4" / 32mm         |

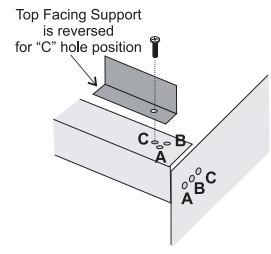
\* For "C" screw position the top facing support is reversed.

- 1) Mount Top Facing Support using the 3 supplied screws into the three pre-punched screw holes on the top front of the unit. Use hole positions A, B, or C depending on your facing depth.



#### "C" Screw Position:

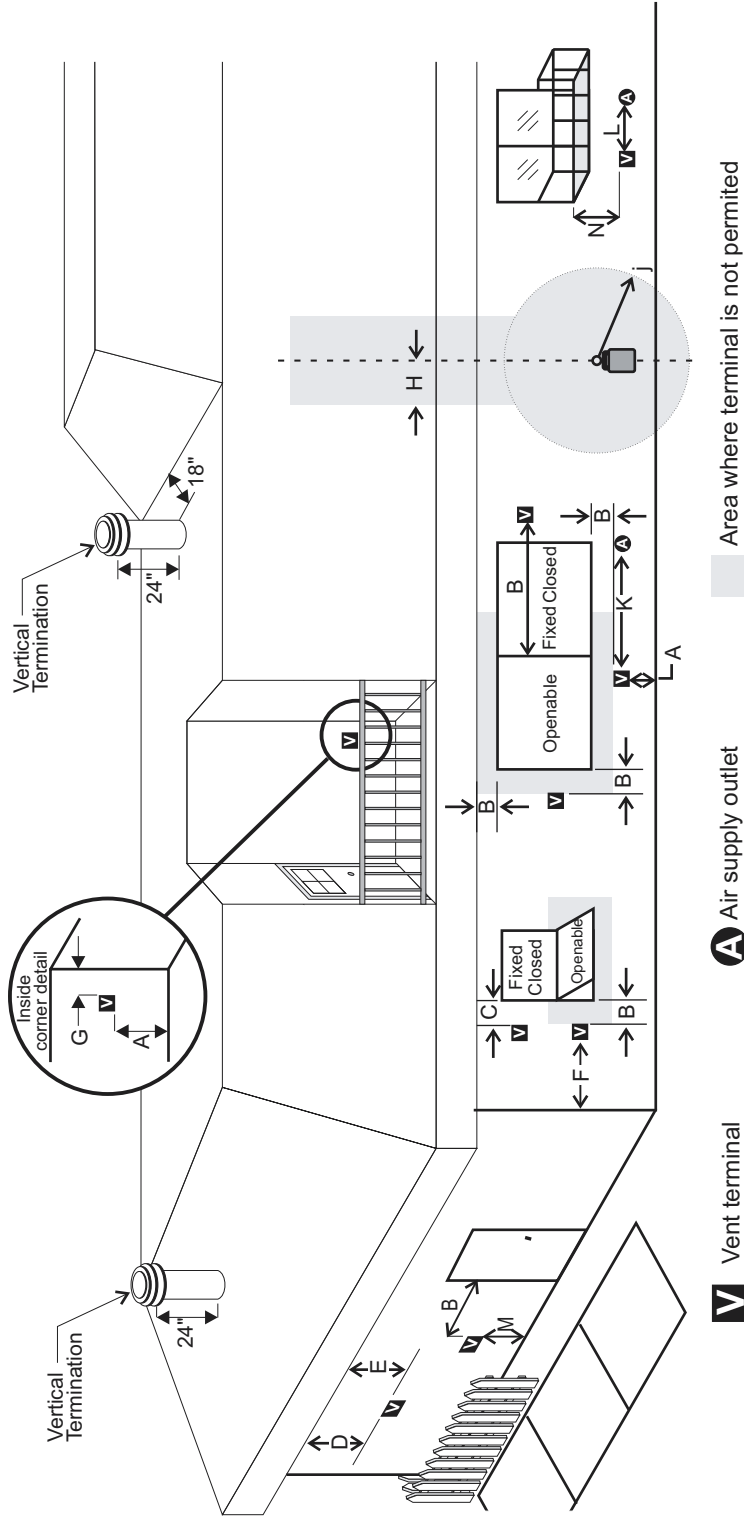
For a facing material depth of 1-1/4" (32mm), the top facing support must be reversed.



- 2) Use the same screw hole position for the Side Nailing Strips as was used for the Top Facing Support. Attach each side nailing strip using 3 screws.

# INSTALLATION

## EXTERIOR VENT TERMINATION LOCATIONS



- A** Air supply outlet
- V** Vent terminal
- H** Not to be installed above a meter/regulator assembly within (3'/90cm) horizontally from the centerline of the regulator.
- J** Clearance to service regulator vent outlet \*(min. 36"/90cm)
- K** Clearance to non-mechanical air supply inlet to building or the combustion air inlet to any other appliance \*(12'/30cm)
- L** Clearance to a mechanical air supply inlet \*(min. 72"/1.8m)
- M** Clearance above paved sidewalk or a paved driveway located on public property \*(min. 84"/2.1m)
- N** Clearance under veranda, porch, deck, or balcony \*(min. 12"/30cm)
- A** Clearance above grade, veranda, porch, deck, or balcony \*(min. 12"/30cm)
- B** Clearance to window or door that may be opened \*(12"/30cm)
- C** Clearance to permanently closed window \*(min. 12"/30cm)
- D** Vertical clearance to ventilated soffit located above the terminal within a horizontal distance of (24"/60cm) from the centerline of the terminal (min. 18"/46cm) check with local code.
- E** Clearance to unventilated soffit (min. 15"/38cm)
- F** Clearance to outside corner: with **AstroCap** Termination Cap (min. 6"/15cm), with **Dura-Vent** Termination Cap (12"/30cm)
- G** Clearance to inside corner: with **AstroCap** Termination Cap (min. 6"/15cm), with **Dura-Vent** Termination Cap (12"/30cm)

**Note:**

- A vent shall not terminate directly above a sidewalk or paved driveway which is located between two single family dwellings and serves both dwellings.
- Only permitted if veranda, porch, deck, or balcony is fully open on a minimum of two sides beneath the floor.
- If the vent termination is accessible, a certified guard shall be installed.

\* As specified in CGA B149 Installation Code. Note: Local codes or regulations may require different clearances.

## VENTING INTRODUCTION

The P33R-2 uses the "balanced flue" technology Co Axial system. The inner liner vents products of combustion to the outside while the outer liner draws outside combustion air into the combustion chamber thereby eliminating the need to use heated room air for combustion and losing warm room air up the chimney.

There are 2 vent systems approved for use with the P33R-2: the Regency Direct Vent System (Flex) for Horizontal Terminations only (see pages 11-12), and the Simpson Dura-Vent Systems for Horizontal and Vertical Terminations (see pages 13-19).

**Note: These flue pipes must not be connected to any other appliance.**

The gas appliance and vent system must be vented directly to the outside of the building, and never be attached to a chimney serving a separate solid fuel or gas burning appliance. Each direct vent gas appliance must use its own separate vent system. Common vent systems are prohibited.

NOTE: Ensure compliance with the outside vent terminal location before cutting hole as both dimensions must be met.

## REGENCY DIRECT VENT SYSTEM (FLEX) HORIZONTAL TERMINATIONS ONLY

This venting system, in combination with the P33R-2 Direct Vent Gas Fireplace, have been tested and listed as a direct vent heater system by Warnock Hersey. The location of the termination cap must conform to the requirements in the Vent Terminal Locations diagram on page 10.

**Regency Direct Vent (Flex) System Termination Kit (Part # 946-513) includes all the parts needed to install the P33R-2 with a maximum run of 2 feet.** If installing the P33 with a **continuous** vent length of more than 2 ft (.6m) to a maximum of 10 ft. (3.0m) using Kit # 946-515 (4 ft) or 946-516 (10 ft) or see page 13 for alternate venting arrangements.

- 1) 6-7/8" dia. flexible liner (2 ft. length)
- 2) 4" dia. flexible liner (2 ft. length)
- 3) spring spacers (3)
- 4) thimble (2)
- 5) **AstroCap** termination cap (1)
- 6) screws (12)
- 7) tube of Mill Pac (1)
- 8) plated screws (8)
- 9) screws #8 x 1-1/2" drill point, stainless steel (4)

**Notes:**

- 1) Liner sections should be continuous without any joints or seams.
- 2) Only Flex pipe purchased from Regency may be used for Flex installations.

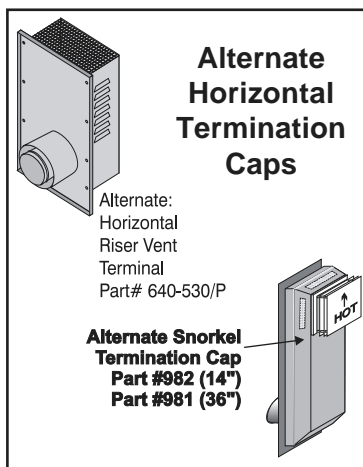
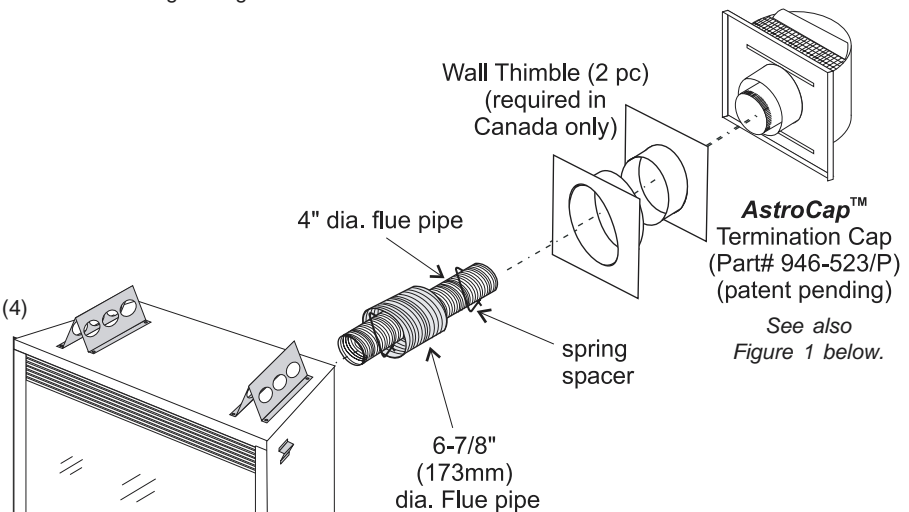
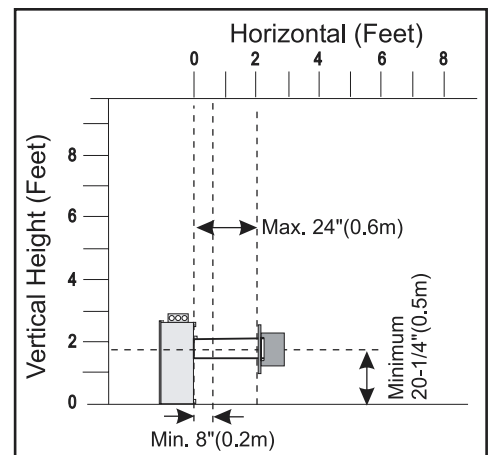


Figure 1

**Wherever necessary due to external location of cap, the AstroCap can be replaced with the FPI Riser Vent Termination Cap or the Dura-Vent Snorkel Termination Cap.**

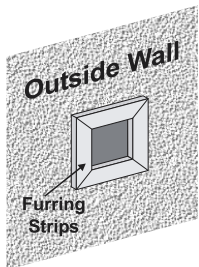


# INSTALLATION

## INSTALLATION PROCEDURES for Regency Direct Vent System (Flex)

- 1) Locate the unit in the framing, rough in the gas (preferably on the right side of the unit) and the electrical (Junction block is on the left side) on the left. Locate the centerline of the termination and mark wall accordingly. Cut a 10" (254mm) hole in the wall (inside dimension).

**Note:** To make the installation more aesthetically pleasing, we recommend framing out a square to mount the terminal to.

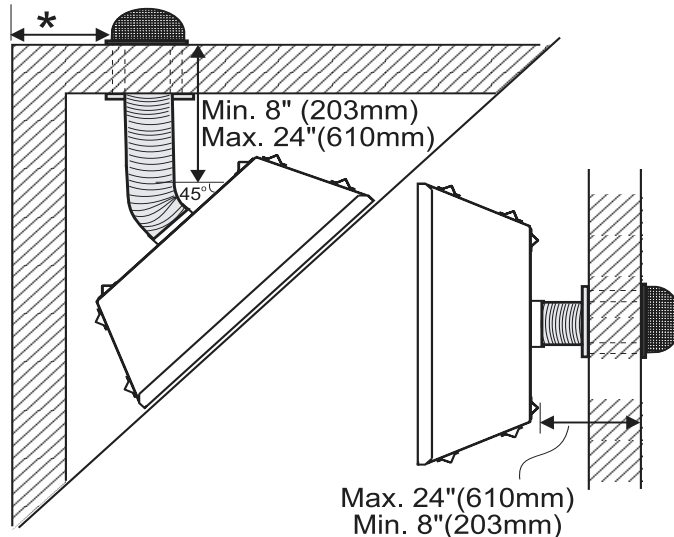


**Note:** A 1-1/2" (38mm) clearance around the liner must be maintained except that only a 1" (25mm) clearance is needed at the termination end. We recommend framing a 10" (254mm) x 10" (254mm) (inside dimensions) hole to give structural rigidity for mounting the termination.

**Note:** If installing termination on a siding covered wall, furring strips must be used to ensure that the termination is not recessed into the siding.

- 2) Level the fireplace and fasten it to the framing using nails or screws through the nailing strips.
- 3) Assemble the vent assembly by applying Mill Pac to the 4" (100mm) inner collar of the termination and slipping the 4" (100mm) liner over it at least 1-3/8" (35mm). Fasten with the 3 screws (drilling pilot holes will make this easier). Apply Mill Pac or high temperature silicone to the 6-7/8" (175mm) flex pipe and slip it over the 6-7/8" outer collar of the vent terminal at least 1-3/8" (35mm) and fasten with the 3 screws.
- 4) Separate the 2 halves of the wall thimble and securely fasten the one with the tabs to the outside wall making sure that the tabs are on top and bottom. Fasten the other thimble half to the inside wall. The thimble halves slip inside each other and can be adjusted for 2 x 4 or 2 x 6 walls. **The liners must slip over the collars a minimum of 1-3/8".**

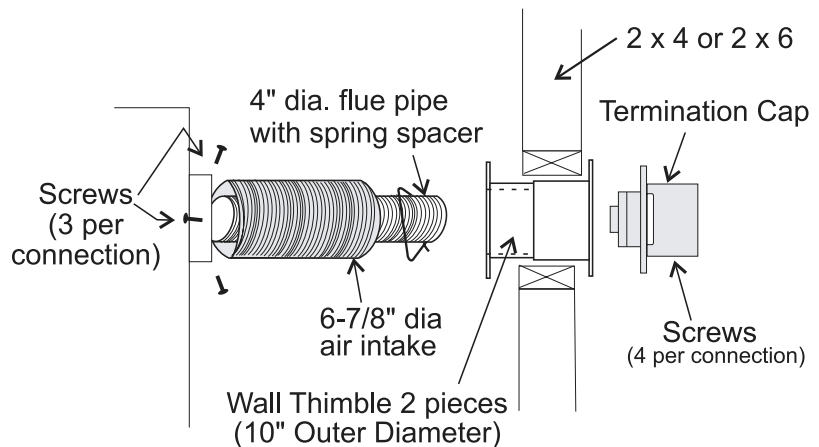
\*If this is an outside corner, the minimum distance between the vent and the outside corner is 6" (15cm) with **AstroCap** termination cap or 12" (30cm) with Dura-Vent termination cap. See "F" on the diagram on page 9.



Minimum and Maximum Vent Clearances

- 5) Slip the assembled liner and termination assembly through the thimble making sure the termination cap faces up (there are markings on the cap that show which way is up). This will position the termination cap with proper down slope for draining water. Fasten the cap to the outer wall with the 4 supplied screws.
- 6) Pull the centre 4" (100mm) liner and outer 6-7/8" (175mm) liner out enough to slip over the flue collars of the fireplace.
- 7) Apply Mill Pac over the fireplace inner collar and slip the 4" (100mm) liner down over it and attach with 3 supplied screws.
- 8) Do the same with the 6-7/8" (175mm) liner.
- 9) Apply a bead of silicone between the thimble and termination and around the outer edge of the terminal at the wall in order to keep the water out.

**IMPORTANT:** Do not locate termination hood where excessive snow or ice buildup may occur. Be sure to check vent termination area after snow falls, and clear to prevent accidental blockage of venting system. When using snow blowers, make sure snow is not directed towards vent termination area.



## SIMPSON DURA-VENT VENTING *Horizontal or Vertical Terminations*

The Simpson Dura-Vent Direct Vent System offers a complete line of component parts for installation of both horizontal and vertical installations. Many items are offered in decorative black, as well as galvanized finish. We recommend using the galvanized finish for installation with the P33R-2.

The minimum components required for a basic horizontal termination are:

- 1 **AstroCap** Horizontal Termination Cap
- 1 90° Elbow
- 1 Flue Adaptor
- 1 Wall Thimble
- 1 Length of pipe to suit wall thickness (see chart)

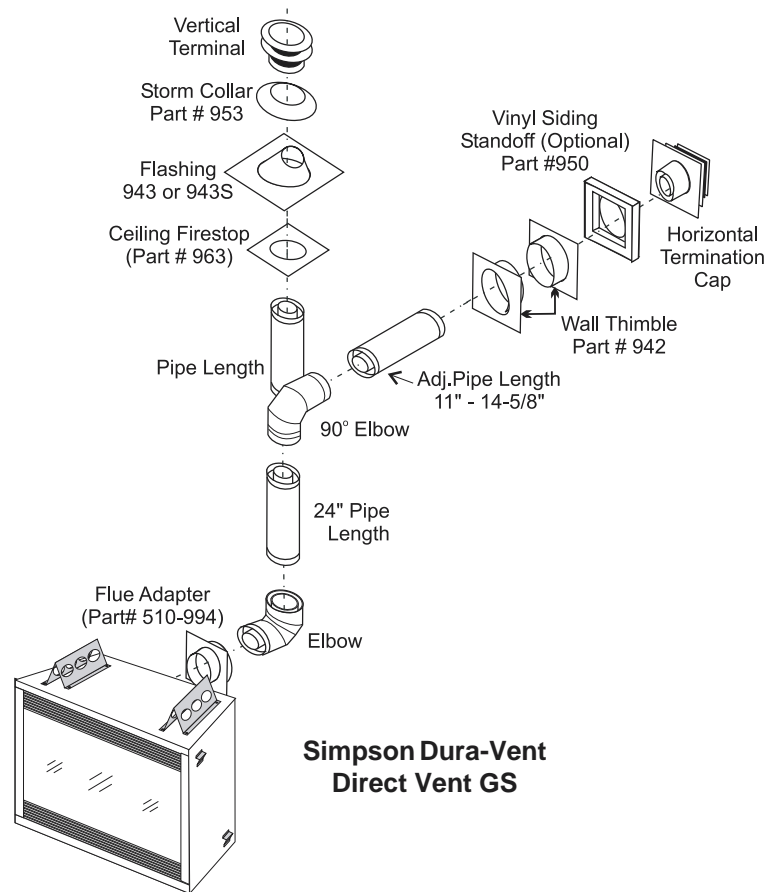
For siding other than vinyl furring strips may be used, instead of the vinyl siding standoff, to create a level surface to mount the vent terminal. The Terminal must not be recessed into siding.

If a Vinyl Siding Standoff is required (it must be used with vinyl siding), measure to outside surface of wall without siding and add 2 inches.

The Regency AstroCap™ is certified for installations using FPI venting systems as well as Simpson Dura-Vent® and Direct Vent GS.

Regency™, and Regency AstroCap™ are the proprietary trademarks of FPI Fireplace Products International Ltd.

Dura-Vent® and Direct Vent GS are registered and/or proprietary trademarks of Simpson Dura-Vent Co. Inc.



## SIMPSON DURA-VENT VENTING COMPONENTS LIST

All Simpson Dura-Vent components are available directly from Regency.

| Part # | Description  | Part # | Description                                 | Part #                                 | Description                                 |
|--------|--|--------|---|--|---|
| 971    | Horiz. Termination Kit includes: 90° black elbow, wall thimble cover, horiz. square termination cap, 24" black pipe, 11" -14" 5/8" adjustable black pipe | 902    | 48" Pipe Length - Galv.                     | 982                                    | Snorkel - 14" Rise Termination Cap          |
|        |  | 902B   | 48" Pipe Length - Black                     | 981                                    | Snorkel - 36" Rise Termination Cap          |
|        |  | 911B   | 11"-14 5/8" Adjustable Pipe Length - Black  | 940                                    | Wall Thimble - Support/Box                  |
|        |  | 917B   | 17"- 24" Adjustable Length - Black          | 941                                    | Cathedral/Ceiling - Support/Box             |
| 970    | Basic Horiz. Termination. Kit includes: 90° black elbow, wall thimble cover, horiz. square termination cap   | 945    | 45° Elbow - Galv.                           | 3951                                   | Brass Trim for Wall Thimble/Ceiling Support |
|        |  | 945B   | 45° Elbow - Black                           | 963                                    | Firestop Spacer                             |
|        |  | 945G   | 45° Elbow - Swivel - Galv.                  | 943                                    | Flashing 0/12-6/12                          |
|        |  | 945BG  | 45° Elbow - Swivel - Black                  | 943S                                   | Flashing 7/12-12/12                         |
| 978    | Vert. Termination Kit includes 0/12 - 6/12 pitch adjustable flashing, storm collar, low profile term. cap  | 990    | 90° Elbow - Galv.                           | 953                                    | Storm Collar                                |
|        |  | 990B   | 90° Elbow - Black                           | 950                                    | Vinyl Siding Standoff                       |
|        |  | 990G   | 90° Elbow - Swivel - Galv.                  | 988                                    | Wall Strap                                  |
|        |  | 990BG  | 90° Elbow - Swivel - Black                  | 942                                    | Wall Thimble                                |
| 908B   | 6" Pipe Length - Black   | 991    | High Wind Termination Cap (Vertical)        | <b>Parts not supplied by Dura-Vent</b> |   |
| 907B   | 9" Pipe Length - Black   | 980    | Vertical Termination Cap                    | 946-506/P                              | Vent Guard (Optional)                       |
| 906    | 12" Pipe Length - Galv.  | 984    | Horizontal Square Termination Cap           | 640-530/P                              | Riser Vent                                  |
| 906B   | 12" Pipe Length - Black  | 985    | Horizontal Square High Wind Termination Cap | 510-994                                | Flue Adapter                                |
| 904    | 24" Pipe Length - Galv.  |        |   | 946-205                                | Vinyl Siding Shield for Riser Vent Terminal |
| 904B   | 24" Pipe Length - Black  |        |   | 946-523/P                              | <b>AstroCap</b> Termination Cap             |
| 903    | 36" Pipe Length - Galv.  |        |   |  |   |
| 903B   | 36" Pipe Length - Black  |        |   |  |   |



# INSTALLATION

## VENTING ARRANGEMENTS - HORIZONTAL TERMINATIONS SIMPSON DURA-VENT DIRECT VENT GS SYSTEM

### or Regency Direct Vent (Flex) for Horizontal Terminations (Propane & Natural Gas)

The diagram shows all allowable combinations of vertical runs with horizontal terminations, using two 90° elbows (two 45° elbows equal one 90° elbow).

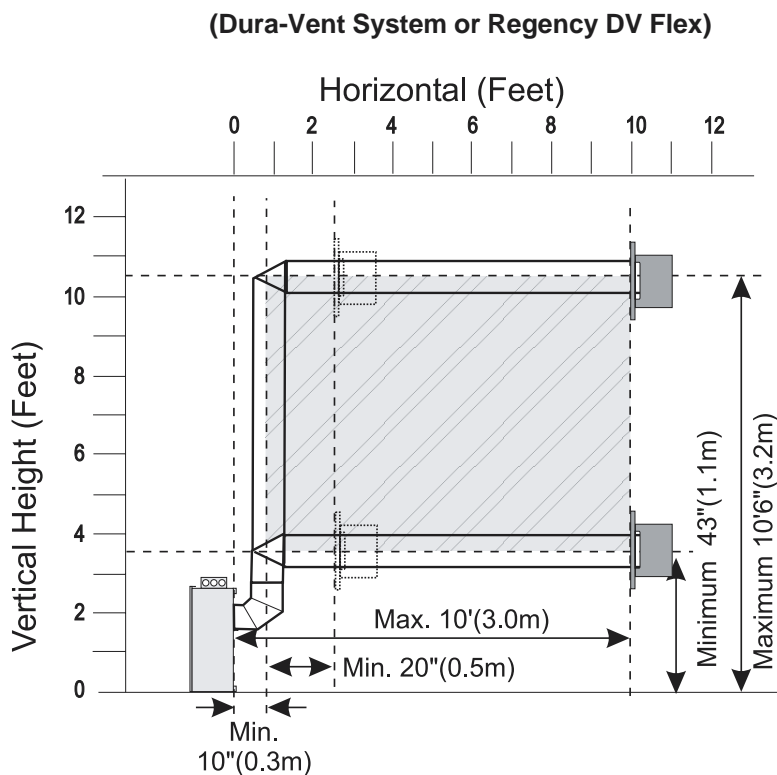
A vent guard should be used whenever the termination is lower than the specified minimum or as per local codes.

For horizontal terminations the Regency Direct Vent Flex System (see page 10) may be used for installations with a maximum **continuous** vent length of 10 ft (3.0m).

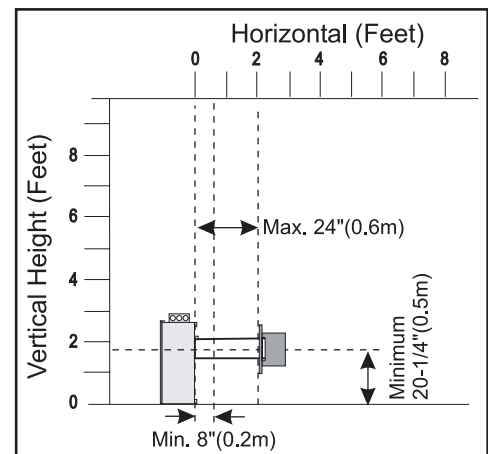
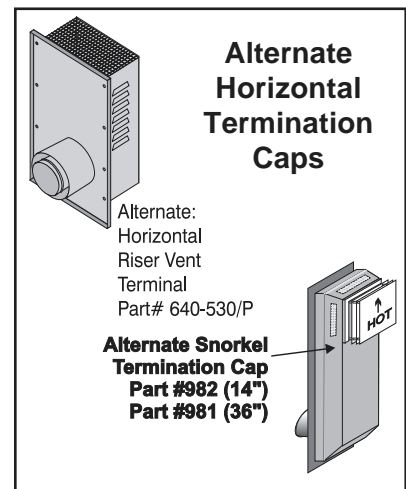
**Note:** Must use optional flue adapter (Part # 510-994) when using Simpson Dura-Vent pipe.

- Maintain a 1-1/4" clearance to combustibles (1-1/2" with Flex).
- Horizontal vent must be supported every 3 feet.
- Firestops are required at each floor level and whenever passing through a wall.
- **Simpson Dura-Vent:** 4" inner dia., 6-5/8" outer dia.

**NOTE:** Only the AstroCap (Part #: 946-523), the Dura-Vent Snorkel Termination Cap (Part #: 982 (14") or Part# 981 (36") and the Riser Vent (Part #: 640-530) are approved for Horizontal Termination installations.

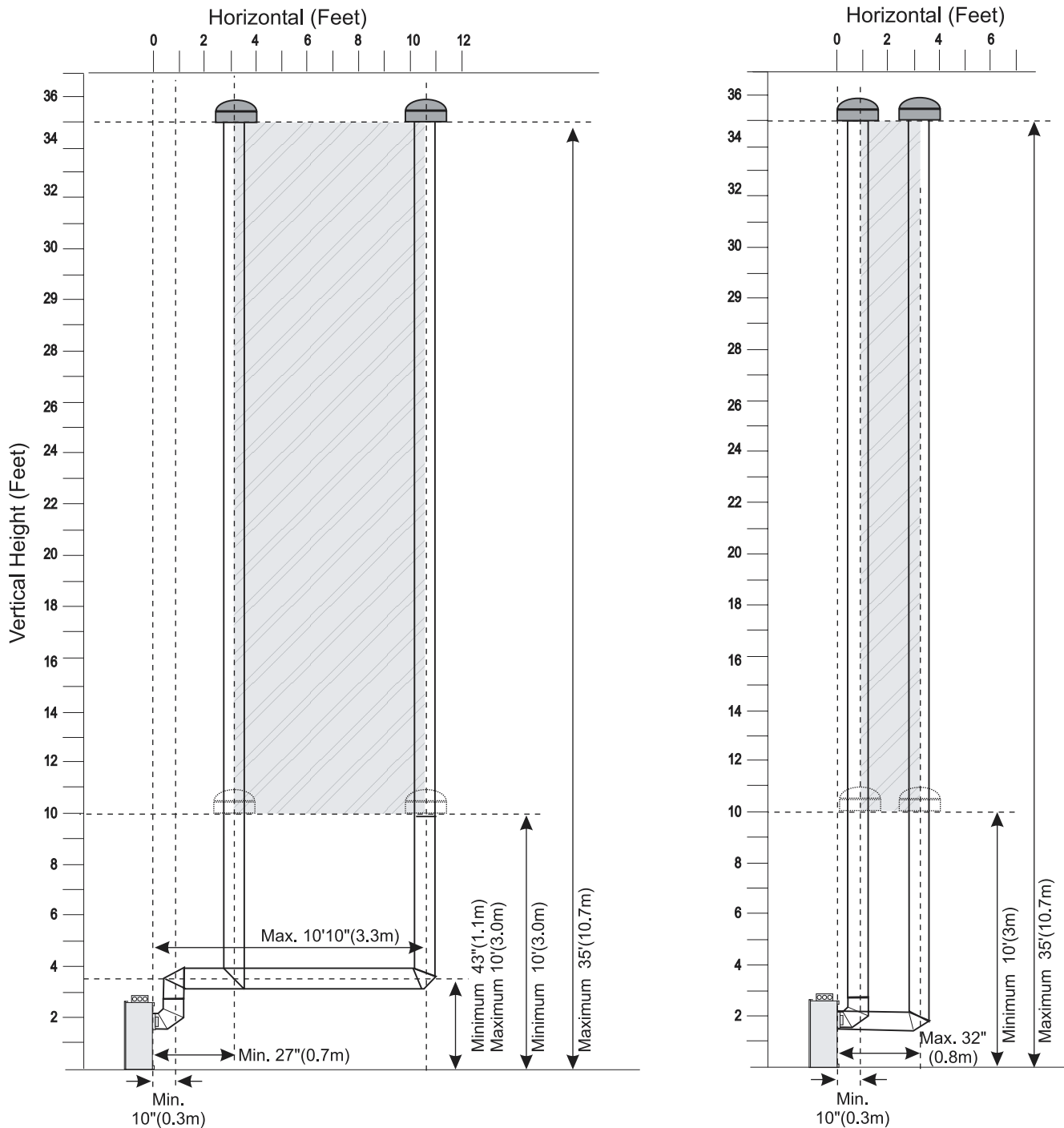


Wherever necessary due to external location of cap, the AstroCap can be replaced with the FPI Riser Vent Termination Cap or the Dura-Vent Snorkel Termination Cap.



## VENTING ARRANGEMENTS - VERTICAL TERMINATIONS SIMPSON DURA-VENT DIRECT VENT GS SYSTEM (Propane & Natural Gas)

The shaded area in the diagram shows all allowable combinations of straight vertical and offset to vertical terminations, using three 90° elbows (two 45° elbows equal one 90° elbow), with Simpson Dura-Vent Direct Vent GS vent systems for Propane and Natural Gas.



- Vent must be supported at offsets
- Firestops are required at each floor level and whenever passing through a wall.
- Maintain a 1-1/4" clearance to combustibles

**Note:** Must use optional flue adapter when using Simpson Dura-Vent pipe (Part # 510-994).

# INSTALLATION

## VERTICAL TERMINATION WITH CO-LINEAR FLEX SYSTEM

**THE APPLIANCE MUST NOT BE CONNECTED TO A CHIMNEY FLUE SERVING A SEPARATE SOLID FUEL BURNING APPLIANCE.**

This appliance is designed to be attached to two 3" (76mm) co-linear aluminium flex running the full length of the chimney. See the Venting Arrangements on next page for minimum and maximum heights.

### Required Parts:

| Part #  | Description   |
|---------|---|
| 946-529 | Co-linear DV Vertical Termination Cap   |
| 948-305 | 3" Flex - 35 ft.  |
| 946-563 | Co-Axial to Co-Linear Adapter Kit which contains the following:<br>Co-linear Flex Adapter<br>Outer Pipe<br>Inner Pipe Adapter |
| 510-994 | Flue Adaptor  |

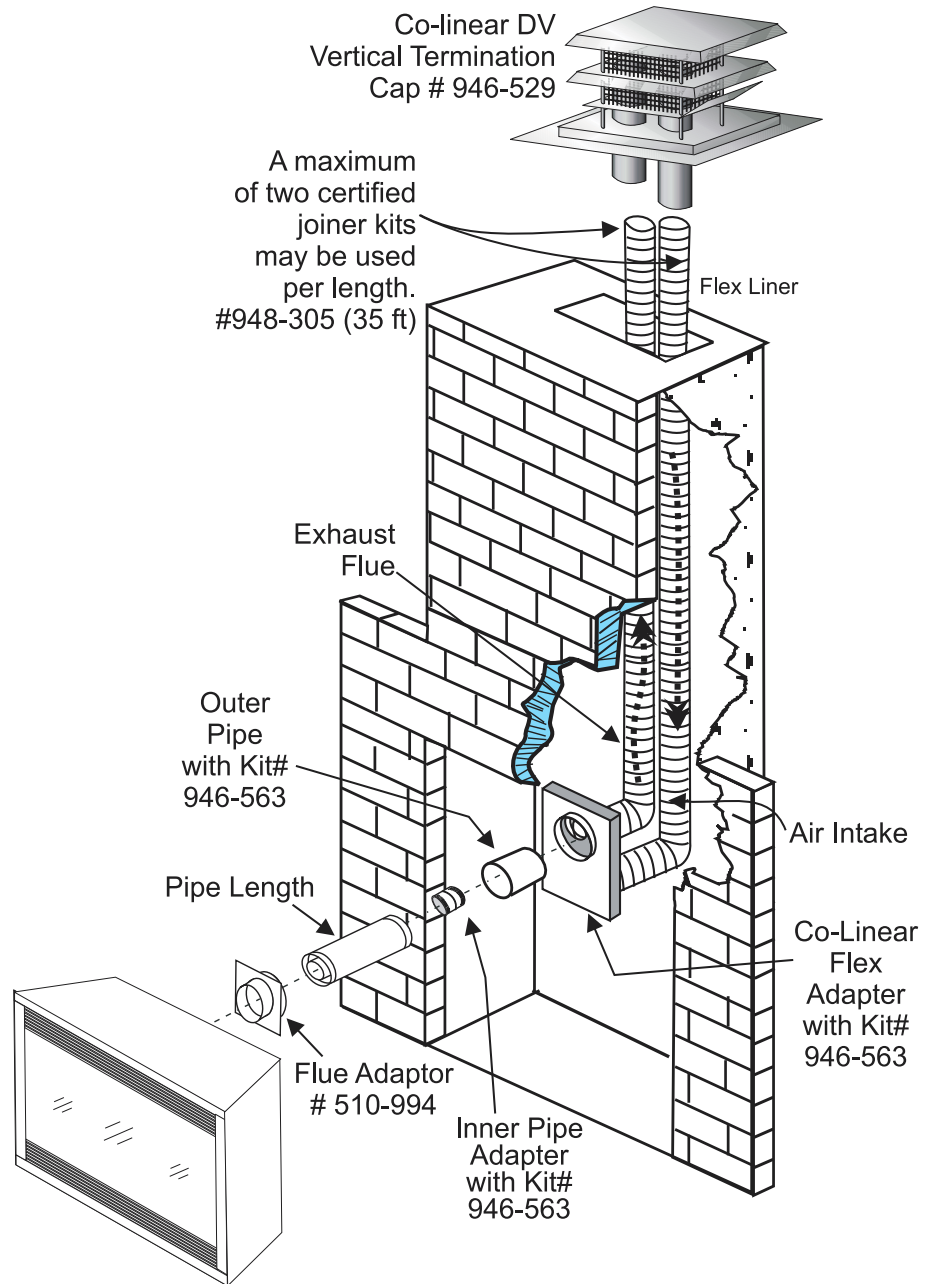
### Alternate Approved Caps

|       |                                    |
|-------|------------------------------------|
| 980   | Vertical Termination Cap           |
| 991   | High Wind Cap                      |
| 923GK | 3" Co-linear Adapter with flashing |

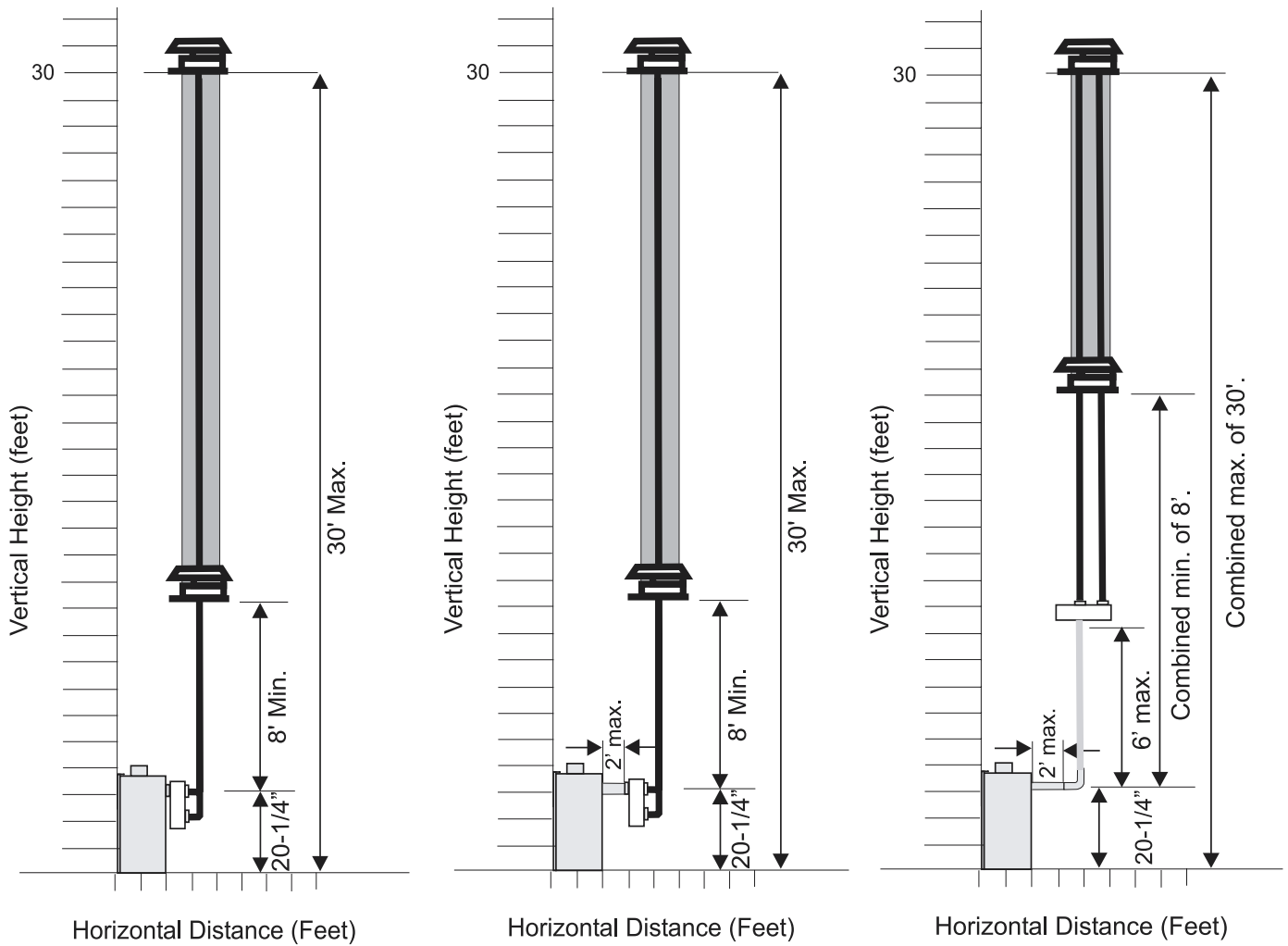
**FPI Cabinet and/or Flat Wall Mantles may be used in these applications ensuring that clearances to combustibles are maintained.**

Masonry chimneys may take various contours which the flexible liner will accommodate. However, **keep the flexible liner as straight as possible**, avoid unnecessary bending.

The Air Intake pipe must be attached to the inlet air collar of the termination cap.



## Venting Arrangements - Vertical Terminations with Co-linear Flex System for both Residential & Manufactured Homes into Masonry Fireplaces



The shaded area in the diagrams show the allowable vertical terminations.

# INSTALLATION

## HORIZONTAL INSTALLATIONS

Install the vent system according to the manufacturer's instructions included with the components.

- 1) Set the unit in its desired location. Check to determine if wall studs or roof rafters are in the way when the venting system is attached. If this is the case, you may want to adjust the location of the unit. Rough in the gas preferably on the right side of the unit and the electrical (junction block is on the left side) on the left.
- 2) Direct Vent pipe and fittings are designed with special twist-lock connections to connect the venting system to the appliance flue outlet. A twist-lock appliance adaptor is an available option that must be used in conjunction with the Simpson Dura-Vent Direct Vent GS system.
- 3) Put a bead of silicone inside the outer section of the adapter and a bead of Stove Mate on the inner collar. Slip the adapter over the existing inner and outer flue collar and fasten to the outer collar only with the 3 supplied screws (drilling pilot holes will make this easier). Level the fireplace and fasten it to the framing using nails or screws through the nailing strips.
- 4) Assemble the desired combination of pipe and elbows to the appliance adaptor and twist-lock for a solid connection.

**Note:**

- a) Twist-lock procedure: Four indentations, located on the female ends of pipes and fittings, are designed to slide straight onto the male ends of adjacent pipes and fittings, by orienting the four pipe indentations so they match and slide in to the four entry slots on the male ends, Dia. 1. Push the pipe sections completely together, then twist-lock one section clockwise approximately one-quarter turn, until the two sections are fully locked. The female locking lugs will not be visible from the outside, on the Black Pipe or fittings. They may be located by examining the inside of the female ends.

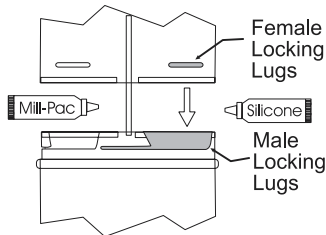


Diagram 1

**Note:** Apply sealant "Mill-Pac" to inner pipe and high temperature silicone sealant to outer pipe on every twist-lock joint.

- b) Horizontal runs of vent must be supported every three feet. Wall straps are available for this purpose.
- 5) Mark the wall for a 10" x 10" square hole. The center of the square hole should line up with the centerline of the horizontal pipe. Cut and frame the 10 inch square hole in the exterior wall where the vent will be terminated. If the wall being penetrated is constructed of non-combustible material, i.e. masonry block or concrete, a 7" (178mm) diameter (7-1/2" (191 mm) dia. for flex) hole is acceptable. See Horizontal Termination diagram on page 14.

**Note:** With Dura-Vent, the minimum height is achieved by installing a 90° elbow directly to the flue adapter.

**Note:**

- a) The horizontal run of vent must be level, or have a 1/4 inch rise for every 1 foot of run towards the termination. Never allow the vent to run downward. This could cause high temperatures and may present the possibility of a fire.
- b) The location of the horizontal vent termination on an exterior wall must meet all local and national building codes, and must not be blocked or obstructed. For External Vent Terminal Locations, see diagram on page 9.
- c) **Snorkel Terminations:** For installations requiring a vertical rise on the exterior of the building, 14-inch and 36-inch tall Snorkel Terminations and the Riser Vent as shown in Dia. 2 & 2a are available. Follow the same installation procedures as used for standard Horizontal Termination. NEVER install the snorkel upside down.

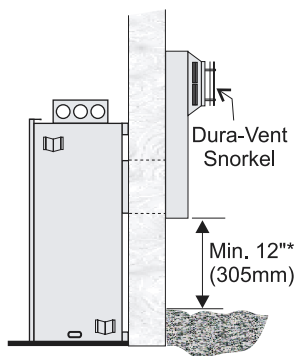


Diagram 2

\*As specified in CGA B149 Installation Code. Local codes or regulations may require different clearances.

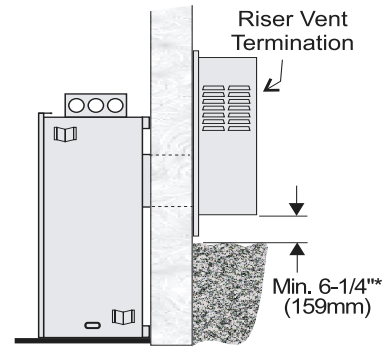


Diagram 2a

**Below Grade Snorkel Installation**

If the Snorkel Termination must be installed below grade, i.e. basement application, proper drainage must be provided to prevent water from entering the Snorkel Termination. Refer to Dura-Vent Installation instructions for details. Do not attempt to enclose the Snorkel within the wall, or any other type of enclosure.

- 6) The arrow on the vent cap should be pointing up. Insure that the 1-1/2" clearances to combustibles are maintained (Dia. 3). Install the termination cap. **AstroCap™** or Dura-Vent Horizontal Termination Cap may be used.

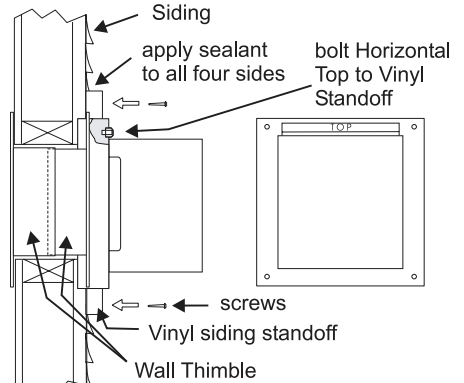


Diagram 3

The four wood screws provided should be replaced with appropriate fasteners for stucco, brick, concrete, or other types of sidings.

**Note:** If installing termination on a siding covered wall, a vinyl siding standoff or furring strips must be used to ensure that the termination is not recessed into the siding.

- 7) Before connecting the horizontal run of vent pipe to the vent termination, slide the Wall Thimble (Part # 620-926) over the vent pipe.
- 8) Slide the appliance and vent assembly towards the wall carefully inserting the vent



pipe into the vent cap assembly. It is important that the vent pipe extends into the vent cap sufficient distance so as to result in a minimum pipe overlap of 1-1/4 inches. Secure the connection between the vent pipe and the vent cap 3 sheet metal screws.

- 9) Install wall thimble in the center of the 10" square and attach with wood screws (Diagram 4).

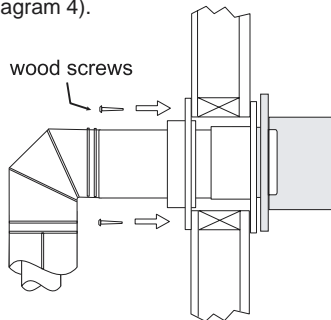


Diagram 4

## VERTICAL TERMINATION

- 1) Maintain the 1-1/2" clearances (air spaces) to combustibles when passing through ceilings, walls, roofs, enclosures, attic rafter, or other nearby combustible surfaces. Do not pack air spaces with insulation. Check pages 13-14 for the maximum vertical rise of the venting system and the maximum horizontal offset limitations.

- 2) Set the gas appliance in its desired location. Drop a plumb bob down from the ceiling to the position of the appliance flue exit, and mark the location where the vent will penetrate the ceiling. Drill a small hole at his point. Next, drop a plumb bob from the roof to the hole previously drilled in the ceiling, and mark the spot where the vent will penetrate the roof.

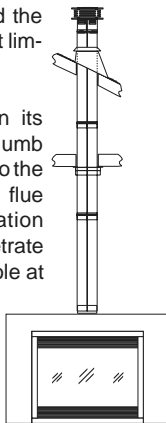


Diagram 1

- 3) A Firestop spacer must be installed in the floor or ceiling of every level. To install the Firestop spacer in a flat ceiling or wall, cut a 10 inch square hole. Frame the hole as shown in Diagram 2 and install the firestop.

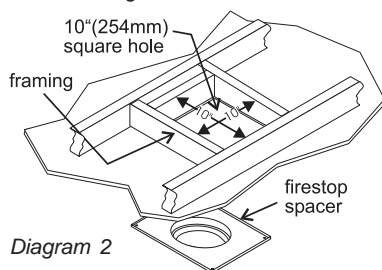
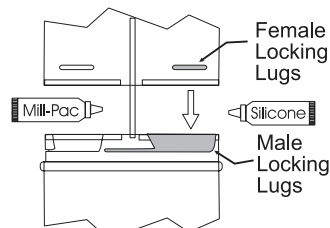


Diagram 2

- 4) Assemble the desired lengths of pipe and elbows. Ensure that all pipes and elbow connections are in the fully twist-locked position and sealed.



**Note: Apply sealant "Mill-Pac" to inner pipe and high temperature silicone sealant to outer pipe on every twist-lock joint.**

- 5) Cut a hole in the roof centered on the small drilled hole placed in the roof in Step 2. The hole should be of sufficient size to meet the minimum requirements for clearance to combustibles of 1-1/2". Slip the flashing under the shingles (shingles should overlap half the flashing) as per Diagram 3.

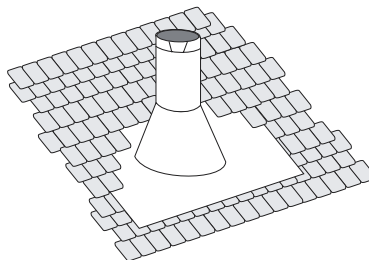


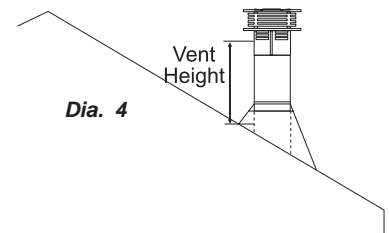
Diagram 3: The upper half of the flashing is installed under the roofing material and not nailed down until the chimney is installed. This allows for small adjustments.

- 6) Continue to assemble pipe lengths.

**Note: If an offset is necessary in the attic to avoid obstructions, it is important to support the vent pipe every 3 feet, to avoid excessive stress on the elbows, and possible separation. Wall straps are available for this purpose.**

Galvanized pipe is desirable above the roofline due to its higher corrosion resistance. Continue to add pipe sections through the flashing until the height of the vent cap meets the minimum height requirements specified in Dia. 4 or local codes. Note that for steep roof pitches, the vertical height must be increased. A poor draft, or down drafting can result from high wind conditions near big trees or adjoining roof lines, in these cases, increasing the vent height may solve the problem.

- 7) Ensure vent is vertical and secure the base of the flashing to the roof with roofing nails, slide storm collar over the pipe section and seal with a mastic.



Dia. 4

| Roof Pitch          | Minimum Vent Height |        |
|---------------------|---------------------|--------|
|                     | Feet                | Meters |
| flat to 7/12        | 2                   | 0.61   |
| over 7/12 to 8/12   | 2                   | 0.61   |
| over 8/12 to 9/12   | 2                   | 0.61   |
| over 9/12 to 10/12  | 2.5                 | 0.76   |
| over 10/12 to 11/12 | 3.25                | 0.99   |
| over 11/12 to 12/12 | 4                   | 1.22   |
| over 12/12 to 14/12 | 5                   | 1.52   |
| over 14/12 to 16/12 | 6                   | 1.83   |
| over 16/12 to 18/12 | 7                   | 2.13   |
| over 18/12 to 20/12 | 7.5                 | 2.29   |
| over 20/12 to 21/12 | 8                   | 2.44   |

- 8) Install the vertical termination cap by twist-locking it.

*Note: Any closets or storage spaces, which the vent passes through must be enclosed.*

## GAS LINE INSTALLATION

The gas line can be brought through either the right or the left side of the appliance. The gas valve is situated on the right hand side of the unit and the gas inlet is on the right hand side of the valve.

**Note: If the gas line is being installed from the left side, be sure to leave room to accommodate servicing of the fan.**

The gas line connection may be made of rigid pipe, copper pipe or an approved flex connector. (If you are using rigid pipe, ensure that the valve can be removed for servicing.) Since some municipalities have additional local codes it is always best to consult with your local authorities and the CAN/CGA B149 installation code.

For USA installations follow local codes and/or the current National Fuel Gas Code, ANSI Z223.1.

When using copper or flex connectors use only approved fittings. Always provide a union so that gas lines can be easily disconnected for servicing. Flare nuts for copper lines and flex connectors are usually considered to meet this requirement.

# INSTALLATION

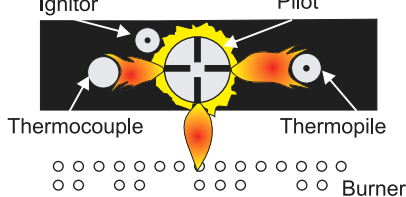
**Important:** Always check for gas leaks with a soap and water solution or gas leak detector. Do not use open flame for leak testing.

## PILOT ADJUSTMENT

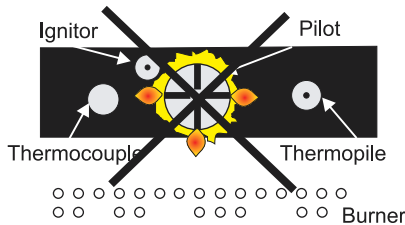
Periodically check the pilot flames. Correct flame pattern has three strong blue flames: 1 flowing around the thermopile, 1 around the thermocouple and 1 flowing across the burner (it does not have to be touching the burner).

**Note:** If you have an incorrect flame pattern, contact your Regency dealer for further instructions.

Incorrect flame pattern will have small,



probably yellow flames, not coming into proper contact with the rear burner or thermopile or thermocouple.



## HIGH ELEVATION

This unit is approved in Canada for altitude 0 to 4500 ft. (CAN1 2.17-M91) with the orifice supplied.

| P33R-2 System Data   |   |                |
|--|---|----------------|
| For 0 to 4500 feet altitude<br>Burner Inlet Orifice Sizes:   |   |                |
| Burner   | Natural Gas<br>#45  | Propane<br>#54 |
| <b>Max. Input Rating</b>   | - Natural Gas 21,000 Btu/h<br>- Propane 21,000 Btu/h        |                |
| <b>Min. Input Rating</b>   | - Natural Gas 10,500 Btu/h<br>- Propane 10,500 Btu/h        |                |
| <b>Output Capacity with blower Off</b>   | Natural Gas 15,960 Btu/h<br>Propane 16,170 Btu/h            |                |
| <b>Output Capacity with blower On</b>  | Natural Gas 16,170 Btu/h<br>Propane 16,380 Btu/h            |                |
| <b>Minimum Output with blower Off</b>  | Natural Gas 7,980 Btu/h<br>Propane 8,085 Btu/h              |                |
| <b>Supply Pressure</b>   | Natural Gas min. 5.0" w.c.<br>Propane min. 12.0" w.c.       |                |
| <b>Manifold Pressure (High)</b>  | Natural Gas 3.8" +/- 0.2" w.c.<br>Propane 11" +/- 0.2" w.c. |                |
| <b>Electrical:</b> 120 V A.C. System.<br><b>Circulation Fan:</b> variable speed 130 CFM.<br><b>Log Set:</b> Ceramic fibre, 5 per set.<br><b>Vent System:</b> Simpson Dura-Vent Direct Vent System or Regency Direct Vent System (Flex) |   |                |

**Note: Output capacity:**

The efficiency rating of the appliance is a product thermal efficiency rating determined under continuous operating conditions and was determined independently of any installed system.

Vent height may or may not change your efficiency ratings.

## GAS PIPE PRESSURE TESTING

The appliance must be isolated from the gas supply piping system by closing its individual manual shut-off valve during any pressure testing of the gas supply piping system at test pressures equal to or less than 1/2 psig. (3.45 kPa). Disconnect piping from valve at pressures over 1/2 psig.

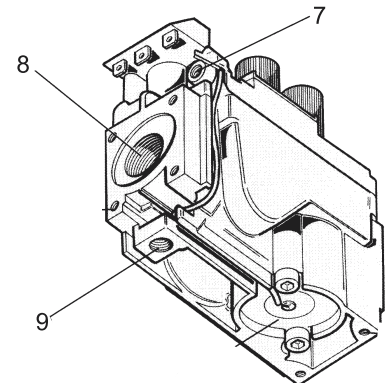
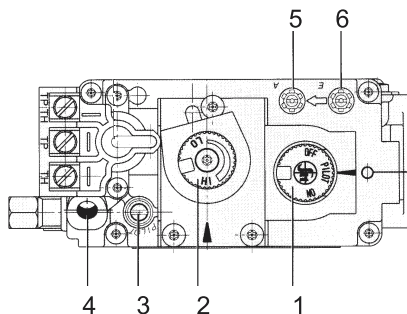
The manifold pressure is controlled by a regulator built into the gas control, and should be checked at the pressure test point.

**Note:** To properly check gas pressure, both inlet and manifold pressures should be checked using the valve pressure ports on the valve.

- 1) Make sure the valve is in the "OFF" position.
- 2) Loosen the "IN" and/or "OUT" pressure tap(s), turning counterclockwise with a 1/8" wide flat screwdriver.
- 3) Attach manometer to "IN" and/or "OUT" pressure tap(s) using a 5/16" ID hose.
- 4) Light the pilot and turn the valve to "ON" position.
- 5) The pressure check should be carried out with the unit burning and the setting should be within the limits specified on the safety label.
- 6) When finished reading manometer, turn off the gas valve, disconnect the hose and tighten the screw (clockwise) with a 1/8" flat screwdriver. **Note: Screw should be snug, but do not over tighten.**

## S.I.T. VALVE DESCRIPTION

- 1) Gas cock knob
- 2) Manual high/low adjustment
- 3) Pilot Adjustment
- 4) Thermocouple Connection - option
- 5) Outlet Pressure Tap
- 6) Inlet Pressure Tap
- 7) Pilot Outlet
- 8) Main Gas Outlet
- 9) Alternative TC Connection Point



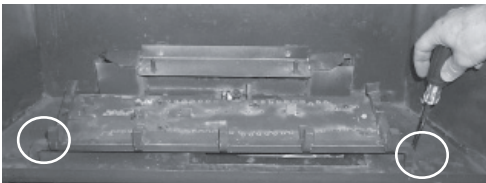
## Conversion Kit from Natural Gas to Propane Model #431-969 for P33R-2 using SIT 820 NOVA Gas Valve

**THIS CONVERSION MUST BE DONE BY A QUALIFIED GAS FITTER  
IF IN DOUBT DO NOT DO THIS CONVERSION !!**

### Conversion Kit Contains:

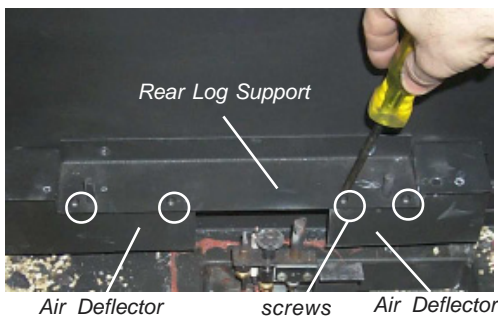
| Qty. | Part #  | Description                           |
|------|---------|---------------------------------------|
| 1    | 910-018 | SIT Conversion Kit-50%<br>Turndown LP |
| 1    | 910-037 | LP Injector (Pilot Orifice)           |
| 1    | 904-163 | Burner Orifice #54                    |
| 1    | 908-255 | Decal "Converted to Propane"          |
| 1    | 908-528 | Red "PROPANE" label                   |
| 1    | 908-529 | 5/32" Allen Key                       |
| 1    | 908-812 | Instruction Sheet                     |

- 1) Shut off the gas supply.
- 2) Remove the louvers (and bay door if it is installed).
- 3) Open the flush door and remove the door.
- 4) Remove the logs, embers, and brick panels (if used).
- 5) Remove the 2 screws holding the Burner Assembly to the firebox base. Push the Burner Assembly to the left and lift out.



Remove the 2 screws, push Burner Assembly to the left and lift out.

- 6) Remove the 2 Air Deflectors (2 screws per deflector) attached to the Rear Log Support. Discard the Air Deflectors, they are only required when burning Natural Gas.



Rear Log Support  
Air Deflector screws Air Deflector

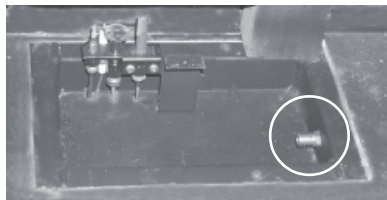
- 7) Pull off the pilot cap to expose the pilot orifice.



- 8) Unscrew the pilot orifice with the allen key and replace with the LP pilot orifice in the kit and replace pilot cap.



- 9) Remove burner orifice with a 1/2" wrench and discard. Use another wrench to hold on to the elbow behind the orifice.

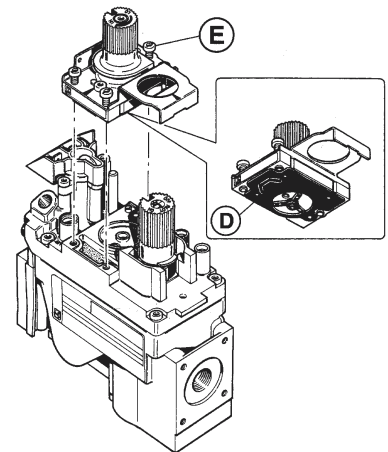
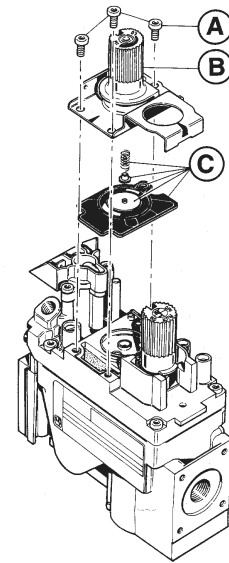


Burner Orifice

- 10) Reinstall new burner orifice LP stamped #54 and tighten.

- 11) Remove and discard the 3 pressure regulator mounting screws (A), pressure regulator tower (B) and diaphragm (C).

- 12) Insure that the rubber gasket (D) is properly positioned and install the new HI/LO pressure regulator assembly to the valve using the new screws (E) supplied with the kit. Tighten screws securely.



- 13) Reverse steps 5) to 2).

- 14) Attach clear label "This unit has been converted to Propane" near or on the serial # decal. Attach white label "This valve has been converted from NG to LPG using SIT conversion Kit Code 0.907.202" onto the valve.

- 15) Replace yellow "Natural Gas" label with red "Propane" label

- 16) Check for gas leaks.

- 17) Check inlet and outlet pressures.

- 18) Check operation of flame control.

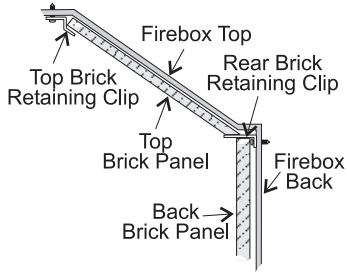
- 19) Check for proper flame appearance and glow on logs.



# INSTALLATION

## OPTIONAL BRICK PANELS

- 1) Undo the bottom 2 door latches and open and remove glass door. Remove logs.
- 2) Attach the 2 Rear Brick Retaining clips to the rear wall. Loosen the screws in the top and rear wall of the firebox and slide the retaining clips into position (tight against the firebox top) and then tighten the screws.

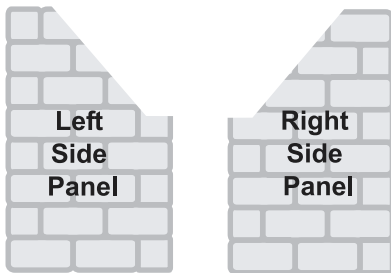


**Note: The logs must not be in the unit.**

- 3) Insert the back brick panel by carefully slipping it between the back wall of the firebox and the rear log bracket.



- 4) Put the side panels in next. Slide them in from the front and push them flat up against the wall. Be very careful not to scratch them on the firebox hardware.



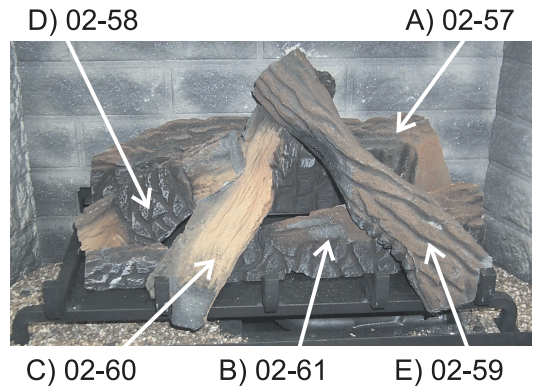
- 5) Slide the Top Brick Panel into position and slide the Top Brick Retaining clips so that they hold the Top Brick Panel in place and tighten down the screws.



## LOG SET INSTALLATION

Read the instructions below carefully and refer to the diagrams. If logs are broken do not use the unit until they are replaced. Broken logs can interfere with the pilot operation.

The "02" refer numbers (i.e. 02-57) are molded into the rear of each log.

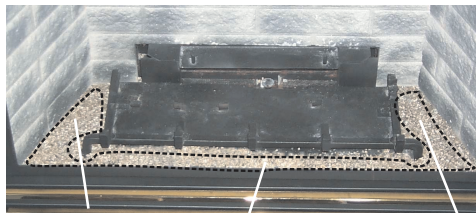


The gas log kit (Part # 431-930) contains the following pieces:

|          |                       |            |
|----------|-----------------------|------------|
| A) 02-57 | Rear Log              | 902-250    |
| B) 02-61 | Middle Cross Log      | 902-254    |
| C) 02-60 | Front Left Cross Log  | 902-253    |
| D) 02-58 | Rear Left Log         | 902-251    |
| E) 02-59 | Front Right Cross Log | 902-252    |
| F)       | Embers                | 902-156    |
| G)       | Vermiculite           | 902-179/21 |

**NOTE: If you will be installing the optional Brick Panels, install the Brick Panels prior to installing the logs.**

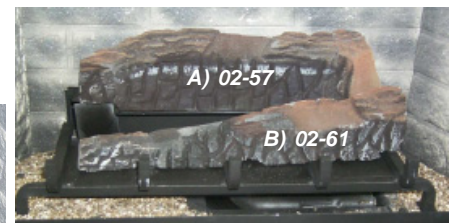
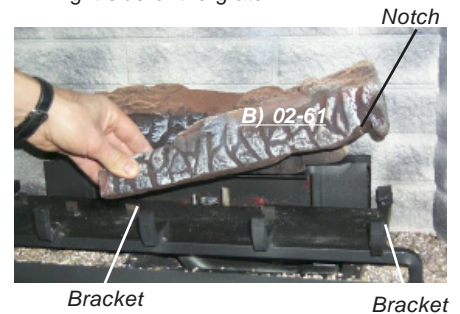
- 1) Carefully remove the logs from the box and unwrap them. The logs are fragile, handle with care - do not force into position.
- 2) Sprinkle the vermiculite around the firebox base.



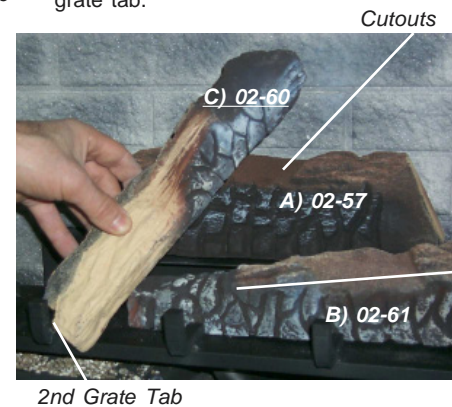
- 3) Place the Log A) 02-57 on the rear log support pins with the flat side to the back.



- 4) Place Log B) 02-61 on the front right side of the burner. Push the back of the log against the 2 brackets with the notch on the bottom right side of the log fitting into the right side of the grate.

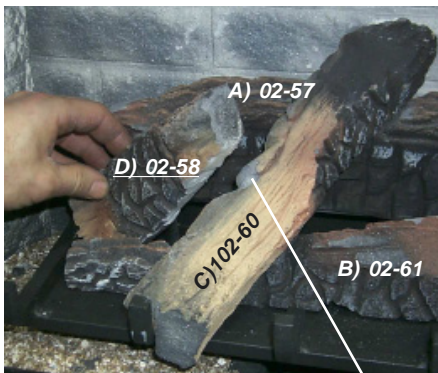


- 5) Position Log C) 02-60 across the cutouts in Logs A) 02-57 and B) 02-61 with the notch on the left side of the log fitting into the 2nd grate tab.

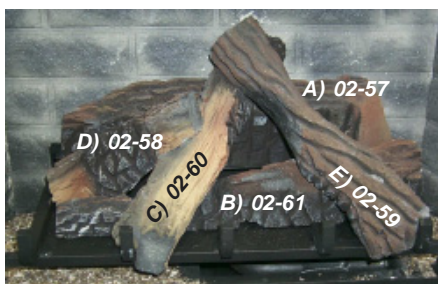
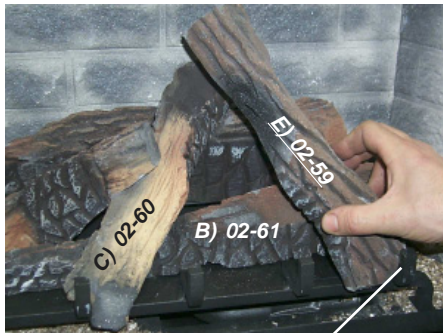




- 6) Place the bottom left front edge of Log D) 02-58 against the left edge of the burner tray and rest the log on the cutout on Log C) 02-60.



- 7) Position Log E) 02-59 across the cutouts in Logs B) 02-61 and C) 02-60. The notch in the bottom right end fitting against the 5th grate tab.



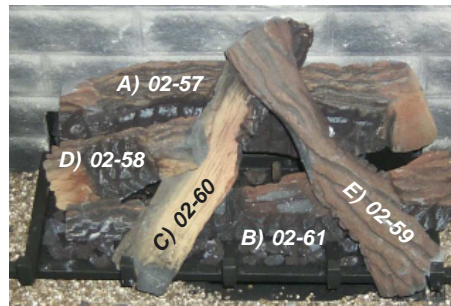
- 8) Place the embers on the front of the burner tray in the places shown on the photo.



Place embers in these 3 locations on the burner tray.

- 9) Test fire to ensure proper light off (make sure flame flows smoothly from one end of burner to the other). If there is any flame hesitation, check that area for any blockage of the burner ports.

- 10) Install flush glass and bay glass (if used) as per instructions in this manual.



## STANDARD FLUSH DOOR

The standard flush door comes with a black frame. To install the frame, simply hook the top door flange onto the top of the unit and swing the door towards the unit, diagram 1. Be careful that the glass gasket does not roll up; there must be a gap between the gasket and the door lip to ensure that the door sits securely on the unit. Diagram 2.

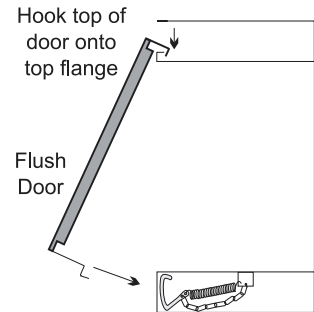
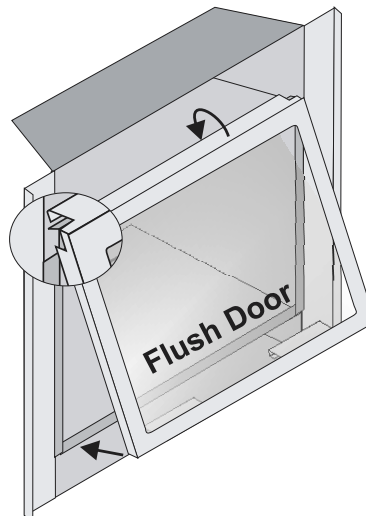


Diagram 1

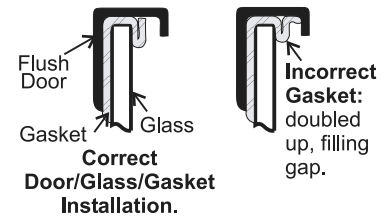


Diagram 2

Use the hook to pull the spring out until you can put the hook into the slot on the bottom door bracket. Repeat for 2nd spring. See diagram 3.

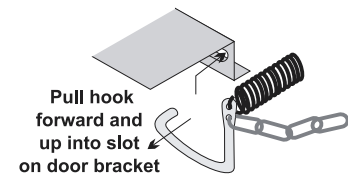
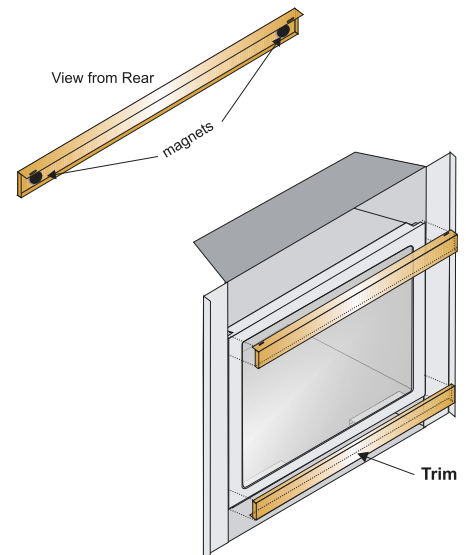


Diagram 3

To remove the flush door, reverse the above steps.

## Optional Flush Trim

Attach the round magnets to the back of the top trim piece and to the bottom trim piece, then attach trim to the top and bottom of Flush door.

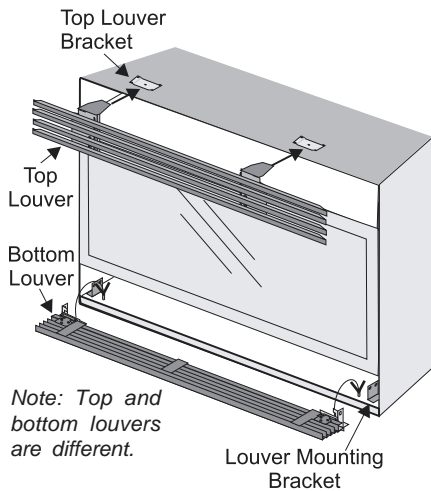
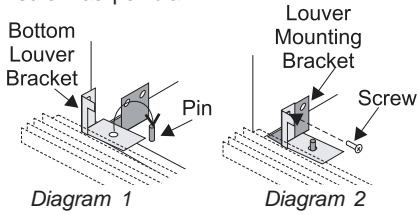




# INSTALLATION

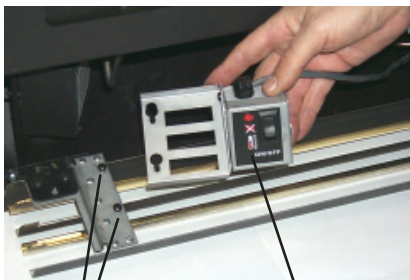
## FLUSH LOUVERS

- 1) Install the top louver by sliding the two bracket clips into the brackets located underneath the top of the firebox.
- 2) Install the bottom louver by folding the louver down and then sliding the Bottom Louver bracket down onto the 2 pins on the base of the unit (dia. 1). Secure with 1 screw as per dia. 2.



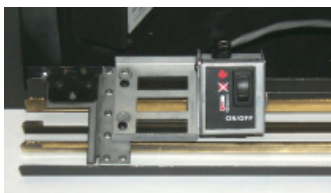
Note: Top and bottom louvers are different.

- 3) Open the bottom louver. Pull the Burner ON/OFF control box from inside the bottom of the fireplace and position the slots in the bracket over the 2 screws on the left side of the bottom louver. Push down to lock into place. Tighten the screws.



Screws on louver bracket

Burner ON/OFF control box



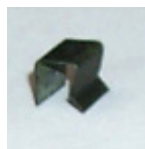
Burner ON/OFF control box attached to bottom flush louver.

## DOUBLE SCREEN DOOR

- 1) Pull out the top louver.
- 2) Center the screen door and hook over the flush door.



- 3) Open the screen door(s) and secure the screen door to the flush door front with 2 clips on the bottom left and right side.

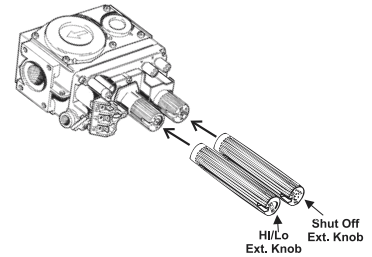
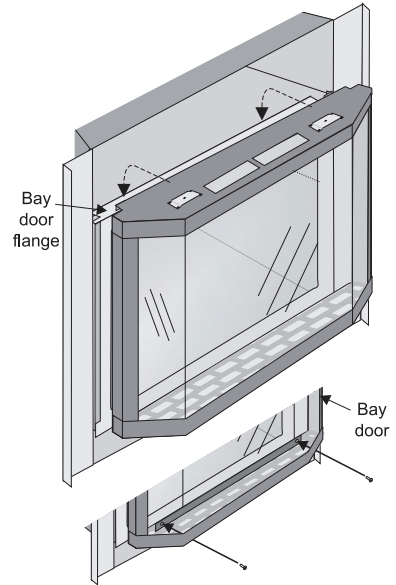


## OPTIONAL BAY DOOR

The Bay louvers **MUST** be used with the Bay glass option.

The optional Bay door is an overlay on the flush front. The standard flush door and glass must remain on the unit.

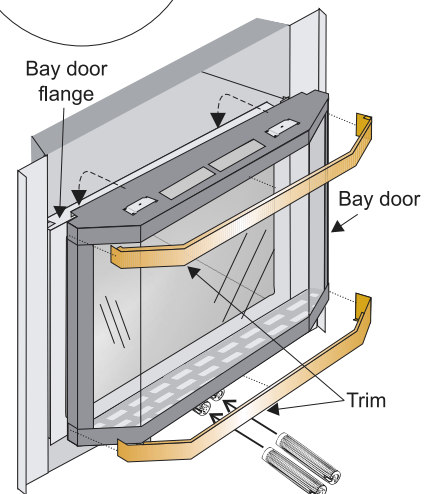
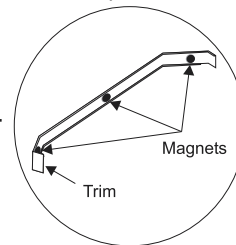
- 1) Hook the top of the bay door over the flush door flange and swing the bottom against the bottom flange of the flush door.
- 2) Secure to the flush door bottom bracket with 2 screws provided.
- 3) Slide the valve extension knobs onto the valve knobs.



Note: If any maintenance etc. must be done in the firebox, first remove the Bay louvers and door.

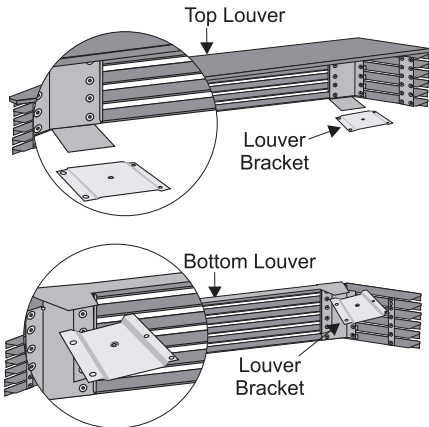
### Optional Bay Trim

Attach 4 supplied magnets each to the back of the top and bottom trim pieces, and attach trim to the top and bottom of Bay door.

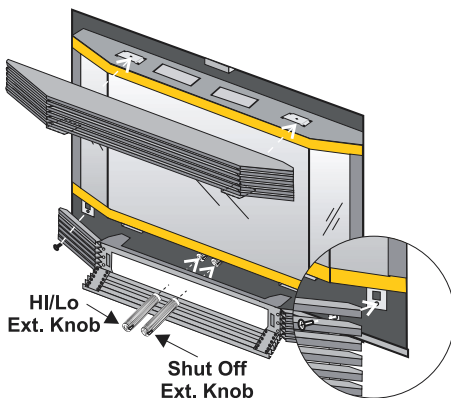


## BAY LOUVERS

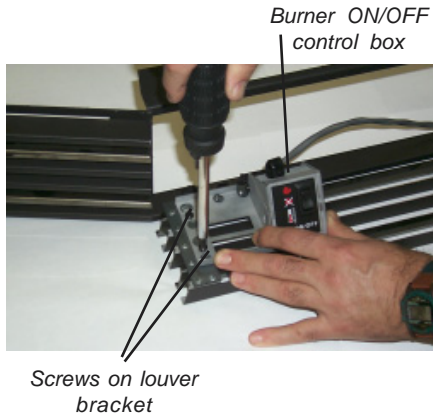
- 1) Install top louver by sliding the two bracket clips into the brackets located on top of the bay door. See below. The fitted louver leaves a small gap between faceplate bottom and louver top.



- 2) Install bottom louver by sliding the two bracket clips into the brackets located underneath the bay door. Secure with 1 screw into each Bottom Louver Mounting Bracket as per diagram below. Use the bottom hole in the bracket.
- 3) Slide the valve extension knobs onto the valve knobs. Match the correct ext. knob with the valve knob.



- 5) Open the bottom louver. Pull the Burner ON/OFF control box from inside the bottom of the fireplace and position the slots in the bracket over the 2 screws on the left side of the bottom louver. Push down to lock into place. Tighten the screws.



## OPTIONAL WALL THERMOSTAT

A wall thermostat may be installed if desired, connect the wires as per the wiring diagram. Use table below to determine the maximum wire length.

**Note: Preferable if the thermostat is installed on an interior wall.**

Regency offers an optional programmable thermostat but any 250-750 millivolt rated non-anticipator type thermostat that is CSA, ULC or UL approved may be used.

**CAUTION**  
Do not wire millivolt wall thermostat wires to 120V wire.

Thermostat Wire Table

| Recommended Maximum Lead Length (Two-Wire) When Using Wall Thermostat (CP-2 System) |             |
|---|-------------|
| Wire Size   | Max. Length |
| 14 GA.  | 50 Ft.      |
| 16 GA.  | 32 Ft.      |
| 18 GA.  | 20 Ft.      |
| 20 GA.  | 12 Ft.      |
| 22 GA.  | 9 Ft.       |

## OPTIONAL REMOTE CONTROL

Use the Regency Remote Control Kit approved for this unit. Use of other systems may void your warranty.

The remote control kit comes with a hand held transmitter, a receiver and a wall mounting plate.

- 1) Choose a convenient location on the wall to install the receiver and the receptacle box (protection from extreme heat is very important). Run wires from the fireplace to that location. Use Thermostat Wire Table.
- 2) Connect the two wires to the gas valve. See diagram below.

**CAUTION**  
Do not wire millivolt remote control wires to 120V wire.

- 3) Install 3 AAA alkaline batteries in transmitter and 4 AA alkaline batteries in the receiver. Install the receiver and its cover in the wall. Switch the remote receiver to "remote" mode. The remote control is now ready for operation.

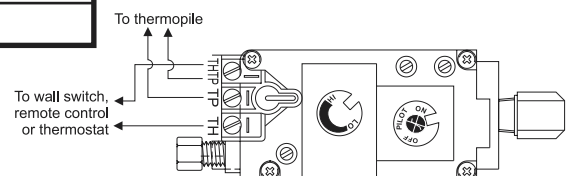
## OPTIONAL WALL SWITCH

- 1) Run the supplied 15' of wire through the right or left side gas inlet opening. Be careful not to damage wire.

**Note: We recommend a maximum of 15' of wire but if you wish to go with a longer run, use the Thermostat Wire Table.**

- 2) Connect the wire to the supplied wall switch and install into the receptacle box.

**CAUTION**  
Do not wire millivolt wall switch wire to 120V wire.



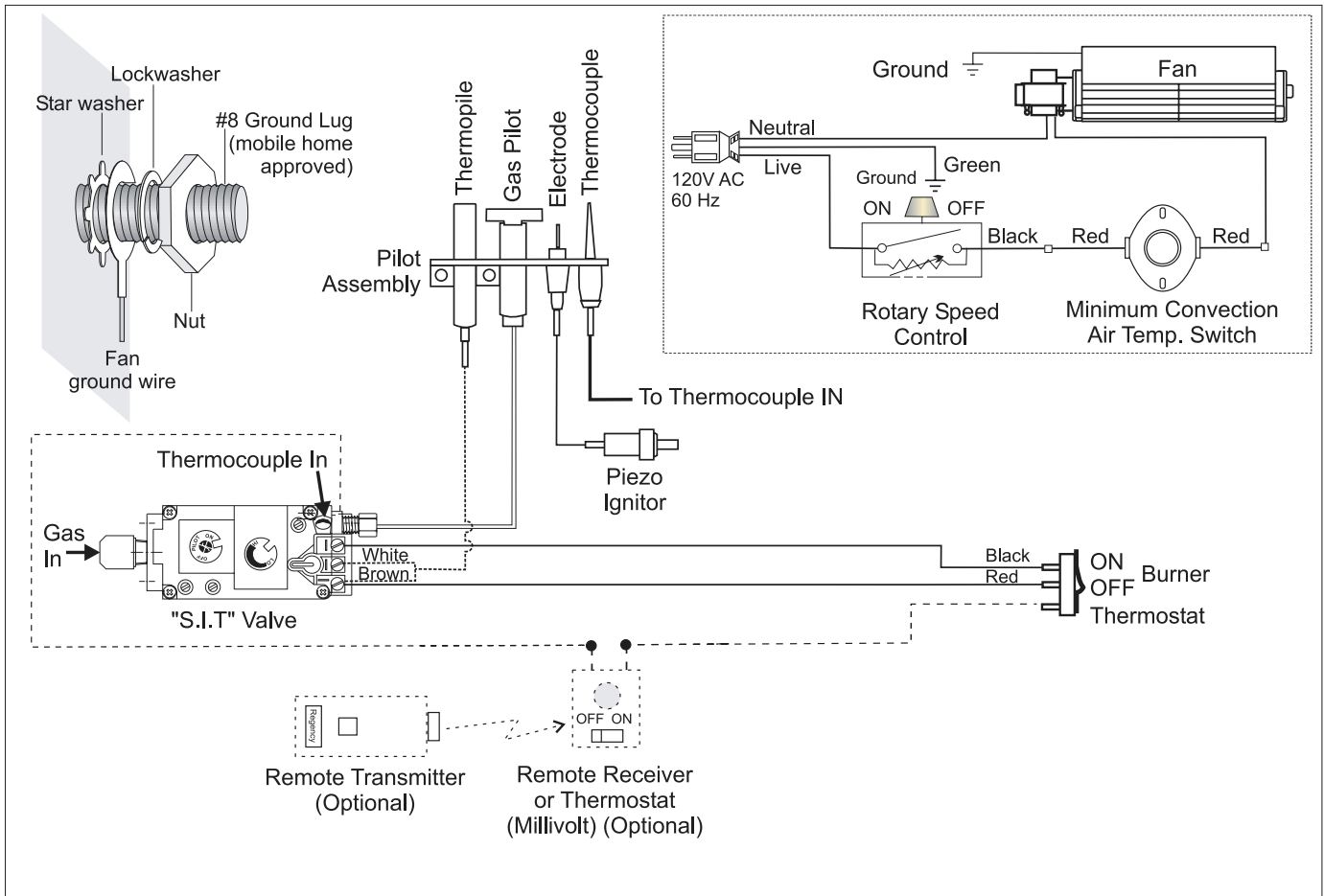
# INSTALLATION

## WIRING DIAGRAM

This heater does not require a 120V A.C. supply for operation. In case of a power failure, the burner switch and the optional remote control/thermostat will continue to operate. However, a 120V A.C. power supply is needed for the fan/blower operation.

(Do not cut the ground terminal off under any circumstances.)

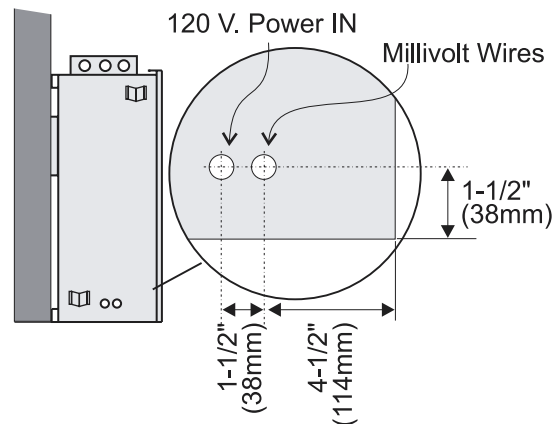
**NOTE:** Even if the fan is not purchased with the unit, it is still a good idea to bring power to the receptacle box (provided with the unit) in case the fan is installed at a later date.



**Caution:** Ensure that the wires do not touch any hot surfaces and are away from sharp edges.

**CAUTION:** Label all wires prior to disconnection when servicing controls. Wiring errors can cause improper and dangerous operation.

### Openings for electrical connections





## INSTALLING THE OPTIONAL FAN

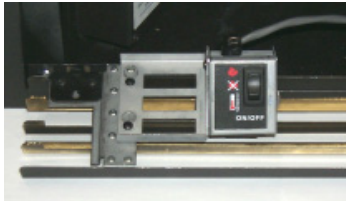
120 Volt AC power is needed for the fan switch and blower. The fan can be hard wired if desired. The receptacle box should be installed on the left hand side of the unit by a qualified electrician. The neutral (wider) slot of the polarized receptacle should be at the top.

**Unit must be grounded at all times. Do not cut the ground terminal off under any circumstances.**

1) Shut the power off.

2) Remove the standard flush door and the optional bay door, if installed. Open the bottom louver door.

3) Loosen the 2 screws holding the Burner ON/OFF switch and bracket to the bottom louver and lift the assembly out.



4) Turn the fan base on its side (with the base facing towards you) and then slide the fan in towards the rear of the unit. Turn the fan upright and slip it over the two mounting studs. Take care not to damage the insulation on the fan base. **Ensure that the fan blades do not rub against the valve tubing.** Diagram 1.

5) Connect fan ground cable to ground lug. Refer to wiring diagram.

6) Slide the thermdisc/cover assembly into the bracket clip on the underside of the firebox. Check that no wire will touch the hot surfaces. Diagram 2.

7) Attach the Fan control box to the Burner ON/OFF control box. Diagram 3.

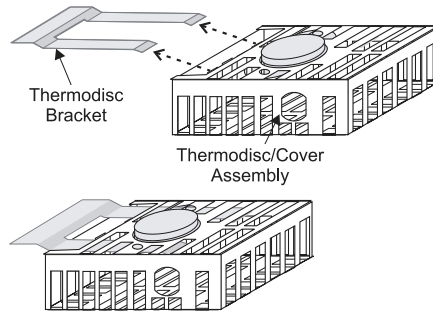


Diagram 2

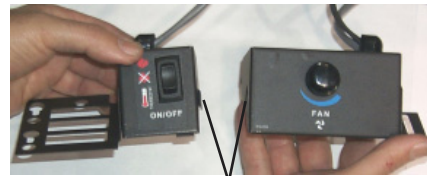


Diagram 3: Use the clip & hook on the side of the control boxes to join them together.

8) Secure the two boxes together with one screw.



Secure the 2 boxes together with one screw.

9) Position the control box assembly on the bottom louver and mark the position of the slot on the right side bracket.



Hold control box assembly in place and mark the position of the right side slot

10) Remove the control box assembly and push the hold-down clip onto the louver. Bend the tab until it is at 90° to the louver.



Push hold-down clip onto inside louver and press tab until it is at 90° to louver.

11) Attach the two control boxes to the bottom louver and tighten the 2 screws on the left side and 1 screw on the right side.



Secure left side with 2 screws.



Secure right side with one screw.

12) Secure the fan wires and power cord by attaching one of the adhesive backed wire holder clips (Part #910-199) onto the stove base. Use the second clip to bundle up the wires approximately 4" from the control box. Ensure that there is no interference with the wires when the louver is closed and that no wire will touch the hot metal surfaces or sharp edges.

13) Plug the fan power cord into the rear end of the receptacle box to provide the maximum clearance from the louvers.

To Remove the Fan

1) Shut the power off.

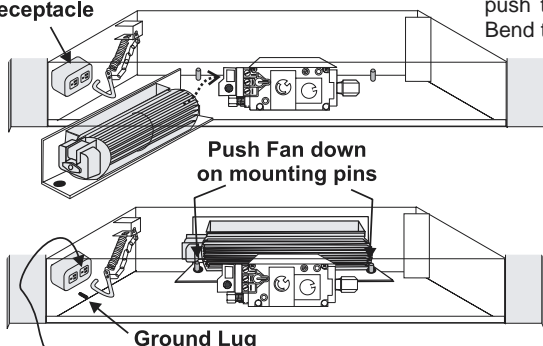
2) Reverse the above instructions.

**Note: The bearings are lubricated for life. Do not lubricate them. Make sure you vacuum the fan area on a regular basis.**

### IMPORTANT:

These fans collect a lot of dust from within your home. Ensure you maintain these fan motors on a regular basis by vacuuming out the fan blades and housing using a soft brush nozzle.

### Electrical Receptacle



Plug fan power cord into rear receptacle.

Diagram 1

# OPERATING INSTRUCTIONS

## COPY OF THE LIGHTING PLATE INSTRUCTIONS

**FOR YOUR SAFETY READ BEFORE LIGHTING**

This appliance must be installed in accordance with local codes, if any; if not, follow the current CAN1-B149/ANSI Z 223.1 (Australia: AG601, New Zealand: NZS 5261)

**WARNING:** If you do not follow these instructions exactly, a fire or explosion may result causing property damage, personal injury or loss of life. Improper installation, adjustment, alteration, service or maintenance can cause injury or property damage. Refer to the owner's information manual provided with this appliance. For assistance or additional information consult a qualified installer, service agency or gas supplier.

A) This appliance has a pilot which must be lighted by hand. When lighting the pilot, follow these instructions exactly.

B) BEFORE LIGHTING smell all around the appliance area for gas. Be sure to smell next to the floor because some gas is heavier than air and will settle on the floor.

C) Use only your hand to push in or turn the gas control knob. Never use tools. If the knob will not push in or turn by hand, don't try to repair it, call a qualified service technician. Force or attempted repair may result in a fire or explosion.

D) Do not use this appliance if any part has been under water. Immediately call a qualified service technician to inspect the appliance and to replace any part of the control system and any gas control which has been under water.

**WHAT TO DO IF YOU SMELL GAS**


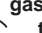
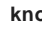
- Do not try to light any appliance
- Do not touch any electric switch, do not use any phone in your building
- Immediately call your gas supplier from a neighbour's phone. Follow the gas supplier's instructions.
- If you cannot reach your gas supplier, call the fire department.

This appliance needs fresh air for safe operation and must be installed so there are provisions for adequate combustion and ventilation air.

**CAUTION:** Hot while in operation. Do not touch. Severe Burns may result. Due to high surface temperatures keep children, clothing and furniture, gasoline and other liquids having flammable vapors away. Keep burner and control compartment clean. See installation and operating instructions accompanying appliance.

**LIGHTING INSTRUCTIONS**

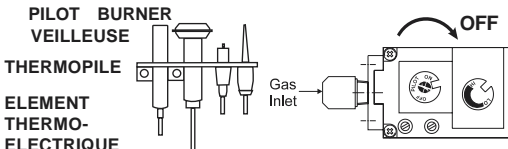
**STOP!** Read the safety information above on this label.

- 1) Push in gas control knob slightly and turn clockwise  to "OFF". Knob cannot be turned from "PILOT" to "OFF" unless knob is pushed in slightly. Do not force.
- 2) Wait five (5) minutes to clear out any gas. If you then smell gas STOP! follow "B" in the safety information above on this label. If you don't smell gas, go to the next step.
- 3) Turn knob on gas control counterclockwise  to "PILOT".
- 4) Push in control knob all the way and hold in. Continually push and release the black button in spark igniter until pilot lights. Continue to hold the control knob in for about 1/2 minute after the pilot is lit. Release knob and it will pop back up. Pilot should remain lit. If it goes out, repeat steps 1) to 4). If knob does not pop up when released, stop and immediately call your service technician or gas supplier. If the pilot will not stay lit after several tries, turn the gas control knob to "OFF" and call your service technician or gas supplier.
- 5) Turn gas control knob counterclockwise  to "ON".
- 6) Use rocker switch to operate main burner.


PILOT BURNER  
VEILLEUSE

THERMOPILE

ELEMENT  
THERMO-  
ELECTRIQUE



**TO TURN OFF GAS APPLIANCE**

- 1) Push in the gas control knob slightly and turn clockwise  to "OFF". Do not force.
- 2) Turn off all electric power to the appliance if service is to be performed.

You may shut off the pilot during prolonged non use periods to conserve fuel.

**DO NOT REMOVE THIS INSTRUCTION PLATE** 908-017a

# OPERATING INSTRUCTIONS

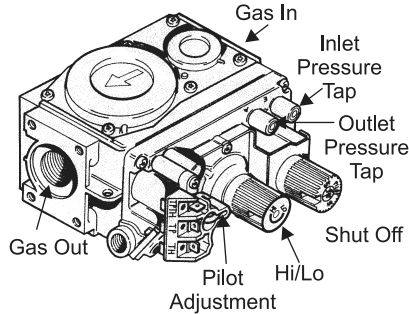
## OPERATING INSTRUCTIONS

- 1) Read and understand these instructions before operating this appliance.
- 2) Check to see that all wiring is correct and enclosed to prevent possible shock.
- 3) Check to ensure there are no gas leaks.
- 4) Make sure the glass in the door frame is properly positioned. Never operate the appliance with the glass removed.
- 5) Verify that the venting and cap are unobstructed.
- 6) Ensure that the brick panels are installed.
- 7) Verify log placement. If the pilot cannot be seen when lighting the unit, the logs have been incorrectly positioned.
- 8) The unit should never be turned off, and on again without a minimum of a 60 second wait.

## LIGHTING PROCEDURE

**IMPORTANT: Gas cock knob cannot be turned from "PILOT" to "OFF" unless it is partially depressed.**

- 1) Turn burner OFF using "ON/OFF" switch.
- 2) Turn gas control knob so indicator points to "OFF" position and allow 5 minutes for any gas in the combustion chamber to escape.
- 3) Turn gas control knob counterclockwise so indicator points to the "PILOT" position. Depress the gas control knob fully. Depress the igniter button several times until the pilot lights. After approximately one minute, release the gas control knob. The pilot flame should continue to burn. If the pilot does not remain lit, repeat operation allowing a longer period before releasing gas control knob.
- 4) When the pilot stays lit, turn the gas knob further counterclockwise to the "ON" position.
- 5) Use the wall switch, thermostat or remote control to turn on the unit.
- 6) Rotate the flame height regulator to adjust the flame height higher or lower.



## SHUTDOWN PROCEDURE

- 1) Use the wall switch, thermostat or remote control to turn off the main burner.
- 2) Turn the main gas control clockwise to the "OFF" position to turn off the pilot.
- 3) Turn off all electric power to appliance if service is to be performed.

## FIRST FIRE

The first fire in your stove is part of the paint curing process. To ensure that the paint is properly cured, it is recommended that you burn your fireplace for at least four (4) hours the first time you use it with the fan on.

When first operated, the unit will release an odour caused by the curing of the paint, the burning off of any oils remaining from manufacturing. Smoke detectors in the house may go off at this time. Open a few windows to ventilate the room for a couple of hours.

The glass panel may require cleaning after the unit has cooled down. **DO NOT ATTEMPT TO CLEAN THE GLASS WHILE IT IS HOT.**

**Note: When the glass is cold and the appliance is lit, it may cause condensation and fog the glass. This condensation is normal and will disappear in a few minutes as the glass heats up.**

**DO NOT BURN THE APPLIANCE WITHOUT THE GLASS FRONT IN PLACE.**

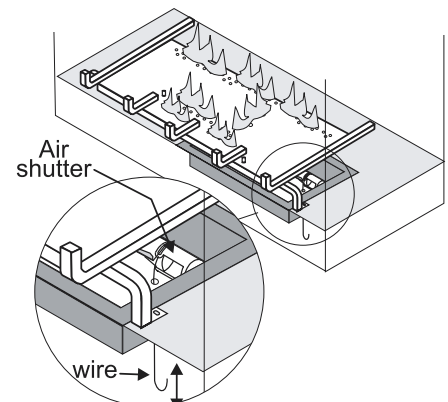
**During the first few fires, a white film may develop on the glass front as part of the curing process. The glass should be cleaned or the film will bake on and become very difficult to remove. Use a non-abrasive cleaner and NEVER clean the glass while it is hot.**

## AERATION ADJUSTMENT

The air shutter can be adjusted by moving the adjusting wire up or down. The wire is accessed through the bottom louver opening. Open the air shutter for a blue flame or close for a yellow flame. The burner aeration is factory set but may need adjusting due to either the local gas supply or altitude.

**Minimum Air Shutter Opening:**  
1/8" Natural Gas  
5/16" Propane

**CAUTION: Carbon will be produced if air shutter is closed too much.**



Pull wire up to open or down to close aeration

**Closed - Tall yellow  
Open - Short blue**

**Note: Any damage due to carboning resulting from improperly setting the aeration controls is NOT covered under warranty.**

**Note: Aeration Adjustment should only be performed by an authorized Regency Installer at the time of installation or service.**



# MAINTENANCE

## NORMAL OPERATING SOUNDS OF GAS APPLIANCES

It is possible that you will hear some sounds from your gas appliance. This is perfectly normal due to the fact that there are various gauges and types of steel used within your appliance. Listed below are some examples. All are **normal operating sounds** and should not be considered as defects in your appliance.

### Blower:

Regency gas appliances use high tech blowers to push heated air farther into the room. It is not unusual for the fan to make a "whirring" sound when ON. This sound will increase or decrease in volume depending on the speed setting of your fan speed control.

### Burner Tray:

The burner tray is positioned directly under the burner tube(s) and logs and is made of a different gauge material from the rest of the firebox and body. Therefore, the varying thicknesses of steel will expand and contract at slightly different rates which can cause "ticking" and "cracking" sounds. You should also be aware that as there are temperature changes within the unit these sounds will likely re-occur. Again, this is normal for steel fireboxes.

### Blower Thermodisc:

When this thermally activated switch turns ON it will create a small "clicking" sound. This is the switch contacts closing and is normal.

### Pilot Flame:

While the pilot flame is on it can make a very slight "whisper" sound.

### Gas Control Valve:

As the gas control valve turns ON and OFF, a dull clicking sound may be audible, this is normal operation of a gas regulator or valve.

### Unit Body/Firebox:

Different types and thicknesses of steel will expand and contract at different rates resulting in some "cracking" and "ticking" sounds will be heard throughout the cycling process.

## MAINTENANCE INSTRUCTIONS

- 1) Always turn off the gas valve before cleaning. For relighting, refer to lighting instructions. Keep the burner and control compartment clean by brushing and vacuuming at least once a year. When cleaning the logs, use a soft clean paint brush as the logs are fragile and easily damaged.
  - 2) Clean appliance and door with a damp cloth (never when unit is hot). Never use an abrasive cleaner. The glass should be cleaned with a gas fireplace glass cleaner. **The glass should be cleaned when it starts looking cloudy.**
  - 3) The heater is finished in a heat resistant paint and should only be refinished with heat resistant paint. Regency uses Stove-Bright Paint - Metallic Black #6309.
  - 4) Make a periodic check of burner for proper position and condition. Visually check the flame of the burner periodically, making sure the flames are steady; not lifting or floating. If there is a problem, call a qualified service person.
  - 5) The appliance and venting system must be inspected before use, and at least annually, by a qualified field service person, to ensure that the flow of combustion and ventilation air is not obstructed.
- Note: Never operate the appliance without the glass properly secured in place.
- 6) Do not use this appliance if any part has been under water. Immediately call a qualified service technician to inspect the appliance and to replace any part of the control system and any gas control which has been under water.
  - 7) Verify operation after servicing.

### General Vent Maintenance

Conduct an inspection of the venting system semi-annually. Recommended areas to inspect as follows:

- 1) Check the Venting System for corrosion in areas that are exposed to the elements. These will appear as rust spots or streaks, and in extreme cases, holes. These components should be replaced immediately.
- 2) Remove the Cap, and shine a flashlight down the Vent. Remove any bird nests, or other foreign material.
- 3) Check for evidences of excessive condensation, such as water droplets forming in the inner liner, and subsequently dripping

out the joints, Continuous condensation can cause corrosion of caps, pipe, and fittings. It may be caused by having excessive lateral runs, too many elbows, and exterior portions of the system being exposed to cold weather.

- 4) Inspect joints, to verify that no pipe sections or fittings have been disturbed, and consequently loosened. Also check mechanical supports such as Wall Straps, or plumbers' tape for rigidity.

## GOLD-PLATED or BRASS LOUVERS

The 24 carat gold-plated or brass finish on the louvers and trim requires little maintenance, and need only be cleaned with a damp cloth. DO NOT use abrasive materials or chemical cleaners, as they may harm the finish and void the warranty. **Clean any fingerprints off before turning the unit on.**

## GOLD-PLATED or BRASS TRIM

The 24 carat gold plated or brass finish on the trim requires little maintenance, and need only be cleaned with a damp cloth. DO NOT use abrasive materials or chemical cleaners, as they may harm the finish and void the warranty. **Clean any fingerprints off before turning the unit on. If the top louvers start to discolour, check the door gasket seal and replace if necessary.**

## LOG REPLACEMENT

The unit should never be used with broken logs. Turn off the gas valve and allow the unit to cool before opening door and carefully remove the logs. (The pilot light generates enough heat to burn someone.) If for any reason a log should need replacement, you must use the proper replacement log. The position of these logs must be as shown in the diagrams under Log Installation.

**Note: Improper positioning of logs may create carbon build-up and will severely alter the unit's performance which is not covered under warranty.**

## THERMOPILE/ THERMOCOUPLE

- 1) Open the bottom louvers.
- 2) Loosen the thermocouple or thermopile with a 7/16" wrench.
- 3) Disconnect thermocouple by loosening nut from the valve with a 9mm wrench. Disconnect thermopile by loosening 2 screws marked TP on the valve.
- 4) Drop the thermocouple or thermopile down from the bracket and pull it out of the unit.
- 5) Reinstall the new ones in reverse order.

## GLASS GASKET

If the glass gasket requires replacement use 5/8" flat glass gasket for the Bay Front (Part # 936-243) and a tadpole glass gasket for the Flush Front (Part # 936-155).

## DOOR GLASS

Your Regency stove is supplied with high temperature, 5 mm Neoceram ceramic glass that will withstand the highest heat that your unit will produce. If your glass requires cleaning, we recommend using an approved glass cleaner available at all authorized dealers. Do not use abrasive materials. Do not clean the glass when hot.

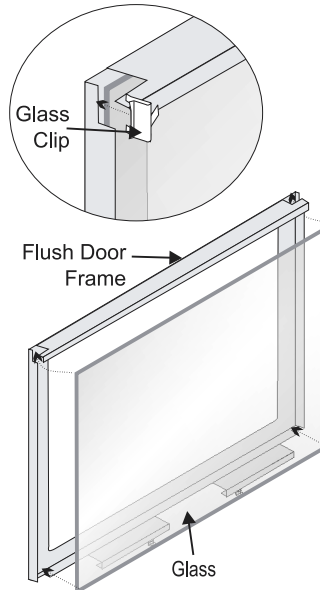
In the event that you break your glass by impact, purchase your replacement from an authorized Regency dealer only, and follow our step-by-step instructions for replacement.

**WARNING: Do not operate the appliance with the glass panels removed, cracked or broken. Replacement of the glass panels should be done by a licensed or qualified service person.**

**Caution: Wear gloves when removing damaged or broken glass.**

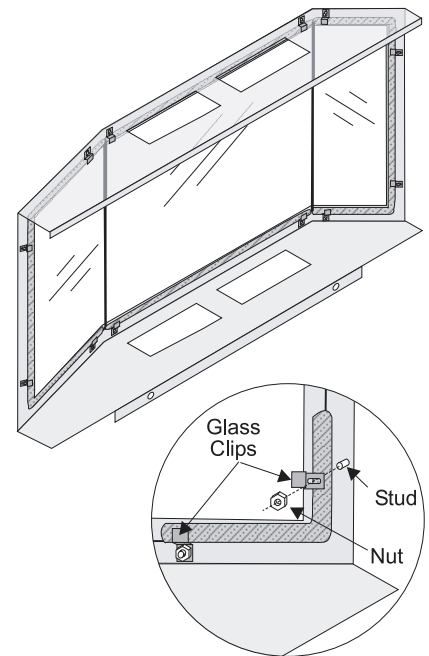
## Flush Glass Replacement

Remove the flush door front (as per instructions on page 23). Remove the 4 glass clips from each corner. Slide in the new replacement glass. Push the 4 glass clips back onto the frame. **The glass must have gasketing around it.**



## Bay Glass Replacement

- 1) Remove the door from the unit and place on a soft surface to prevent scratching.
- 2) Remove the nuts holding the glass clips in place and remove.
- 3) Replace the glass. **The glass must have gasketing around it.**
- 5) Reverse the previous steps, replace the glass clips and fasten with the nuts but do not over tighten, as this can break the glass.
- 6) Replace door on the stove and check the seal.



# MAINTENANCE

## REMOVING VALVE

- 1) Shut off the gas supply.
- 2) Remove the louvers (and bay door if it is on).
- 3) Open the flush door and remove the door.
- 4) Remove the logs.
- 5) Remove the burner/grate assembly by removing the two Phillips head screws and then lift the burner assembly out.

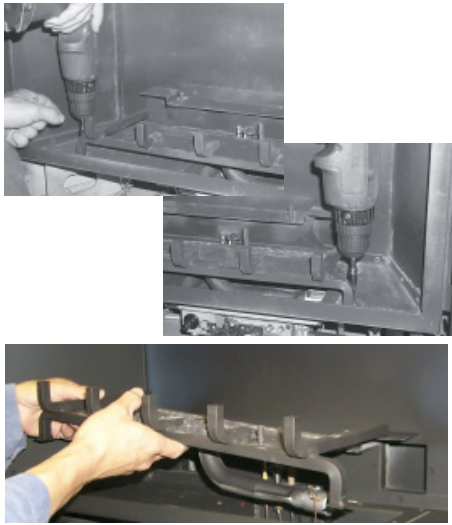


Diagram 1: Remove the left and right screws and then lift out the burner/grate assembly.

- 6) Remove the rear log stand by removing the 2 screws.
- 7) Disconnect the inlet gas line. See diagram 2.
- 8) Disconnect the 2 TP wires and the 2 TH wires from the valve.
- 9) Remove the 10 Phillips head screws securing the valve tray assembly in place (dia-

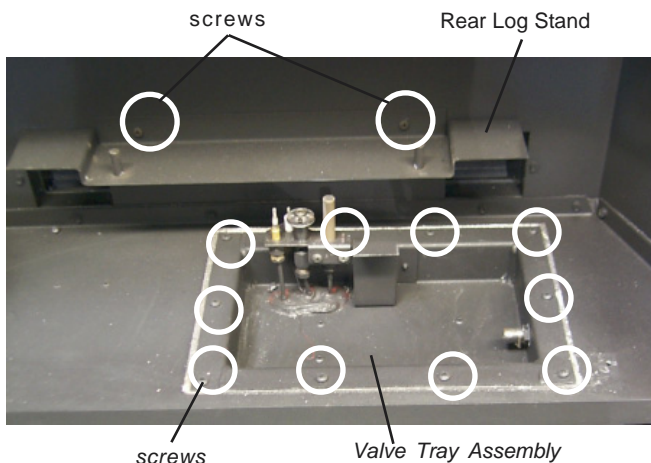


Diagram 2: Rear Log Stand & Valve Tray Assembly

gram 2) and then lift the entire assembly out (diagram 3).

- 10) Undo the pilot tube from the valve with a 7/16" wrench.

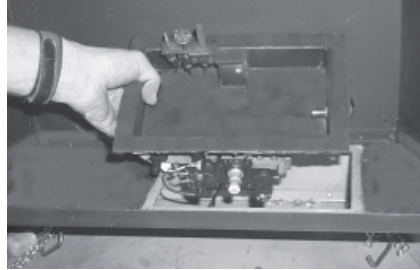
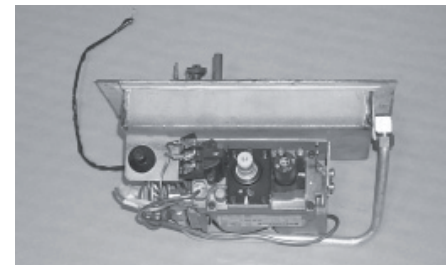


Diagram 3: Lift out Valve Tray Assembly



- 11) Undo the quick drop out thermocouple nut on the valve with a 9mm (metric) wrench.
- 12) Remove the Piezo igniter wire and push button assembly.
- 13) Undo the "gas out" flare nut with a 13/16" wrench.
- 14) Undo the "gas out" flare fitting with an 11/16" wrench.
- 15) Remove the 4 Phillips head screws from the sides of the valve bracket and remove valve.

*Hint: If you are using black pipe, ensure that there is a union by the valve, otherwise removal will be almost impossible.*

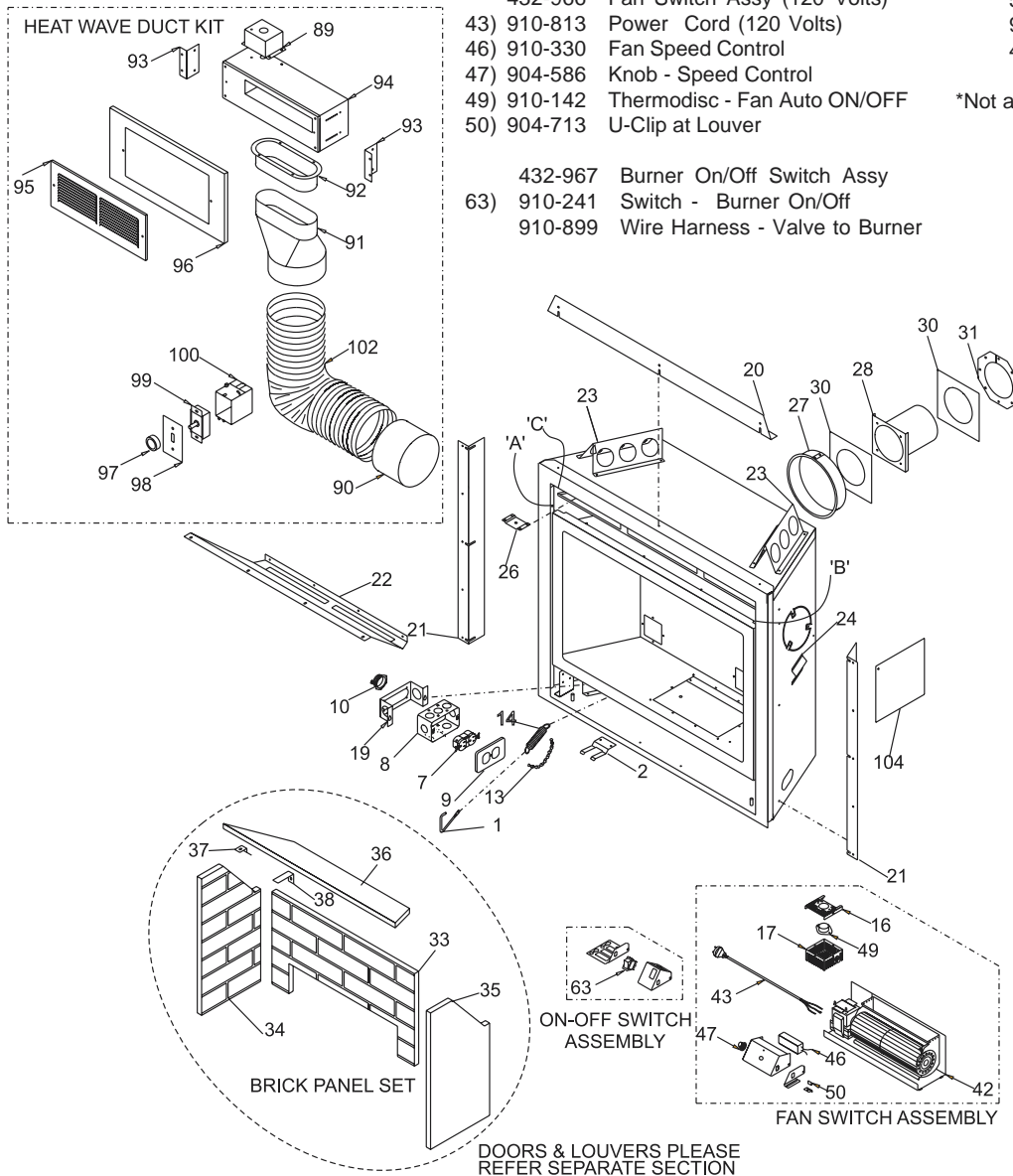
## INSTALLING VALVE

- 1) Attach the valve to the valve bracket with the 4 (m5x8 metric) screws provided.
  - 2) Reconnect the "gas out" flare fitting with an 11/16" wrench.
  - 3) Reconnect the "gas out" flare nut with a 13/16" wrench.
  - 4) Install piezo igniter push button assembly and reconnect wire.
  - 5) Reconnect the quick drop out thermocouple nut with a 9mm wrench.
  - 6) Reconnect the pilot tube nut with a 7/16" wrench.
  - 7) Scrape off the old gasket from the floor of the firebox and from the valve tray assembly.
  - 8) Install a new gasket and reinstall the valve tray assembly.
- Note: Failure to install a new gasket may severely affect the appliance performance.**
- 9) Reinstall the 10 hold down screws.
  - 10) Hook up the 2 TP and 2 TH wires to the appropriate connections on the valve.
  - 11) Reinstall the front log stand.
  - 12) Install Burner/grate assembly.
  - 13) Hook up the gas line and check for gas leaks with a soap and water solution or a gas leak detector. (Do not use open flame for leak testing.)
  - 14) Fire up the unit temporarily.
  - 15) Check the manifold pressure.
  - 16) Reinstall the logs and brick panels as needed.
  - 17) Close the door and replace the louvers.
  - 18) Fire up the unit again and check for proper flame appearance and glow on logs.

## Main Assembly

| Part # | Description                   | Part #  | Description                          | Part #  | Description                              |
|--------|-------------------------------|---------|--------------------------------------|---------|--|
| 1)     | 948-247 Door Handle           | 28) *   | Inner Flue Collar Assembly           | 946-556 | Optional Heat Wave Duct Kit              |
| 2)     | * Thermodisc Bracket          | 30) *   | Gasket - Flue Collar                 | 89)     | 946-004 Junction Box                     |
|        |                               | 31) *   | Flue Mounting Plate                  | 90)     | 946-000 Round Duct Adaptor               |
| 7)     | 910-428 Duplex Receptacle     | 432-928 | Brick Panel Set -Standard            | 91)     | 946-002 Round to Oval Adaptor            |
| 8)     | 910-429 Box - Receptacle      | 432-901 | Brick Panel Set - Standard Brown     | 92)     | 946-001 Oval Duct Adaptor                |
| 9)     | 910-430 Cover - Receptacle    | 432-902 | Brick Panel Set - Standard Red       | 93)     | 946-007 Angle Bracket                    |
| 10)    | 904-687 Clamp Connector       | 432-903 | Brick Panel Set - Herringbone Brown  | 94)     | 946-517/P Fan Assembly - HeatWave Option |
| 13)    | 948-045 #12 Jack Chain        | 432-904 | Brick Panel Set - Herringbone Red    | 95)     | 946-006 Grill Plate - White              |
| 14)    | 948-115 Door Extension Spring | 33) *   | Brick Panel - Rear                   | 96)     | 946-005/01 Wall Adaptor Plate - White    |
| 16) *  | Thermodisc Top                | 34) *   | Brick Panel - Left Side              | 97)     | 910-417 Knob - White                     |
| 17) *  | Thermodisc Box Base           | 35) *   | Brick Panel - Right Side             | 98)     | 910-366 Switch Cover Plate - White       |
| 19)    | 430-129 Receptacle Box Mount  | 36) *   | Brick Panel - Top                    | 99)     | 910-412 Fan Speed Controller             |
| 20)    | 430-031 Top Nailing Strip     | 37)     | 430-056 Brick Clip - Top             | 100)    | 910-367 Box - Plastic Switch Receptacle  |
| 21)    | 430-032 Side Nailing Strip    | 38)     | 430-057 Brick Clip - Bottom          | 102)    | 946-010 Flexible Air Duct                |
| 22)    | 430-010 Firebox Baffle        | 432-917 | Fan Assembly (120 Volts) Optional    | 946-038 | Insulation 6" dia. x 24"                 |
| 23)    | 430-001 Top Standoff          | 42)     | 910-331/P Fan Motor (120 Volts)      | 104)    | 690-022 Cover Plate                      |
| 24)    | 510-010 Standoff - Side/Back  | 432-966 | Fan Switch Assy (120 Volts)          | 510-994 | Dura-Vent Adaptor                        |
| 26) *  | Louver Hold Down              | 43)     | 910-813 Power Cord (120 Volts)       | 918-063 | Manual                                   |
| 27) *  | Outer Flue Collar             | 46)     | 910-330 Fan Speed Control            | 431-969 | Conversion Kit - NG to LP                |
|        |                               | 47)     | 904-586 Knob - Speed Control         |         |  |
|        |                               | 49)     | 910-142 Thermodisc - Fan Auto ON/OFF |         |  |
|        |                               | 50)     | 904-713 U-Clip at Louver             |         |  |
|        |                               | 432-967 | Burner On/Off Switch Assy            |         |  |
|        |                               | 63)     | 910-241 Switch - Burner On/Off       |         |  |
|        |                               | 910-899 | Wire Harness - Valve to Burner       |         |  |

\*Not available as a replacement part.



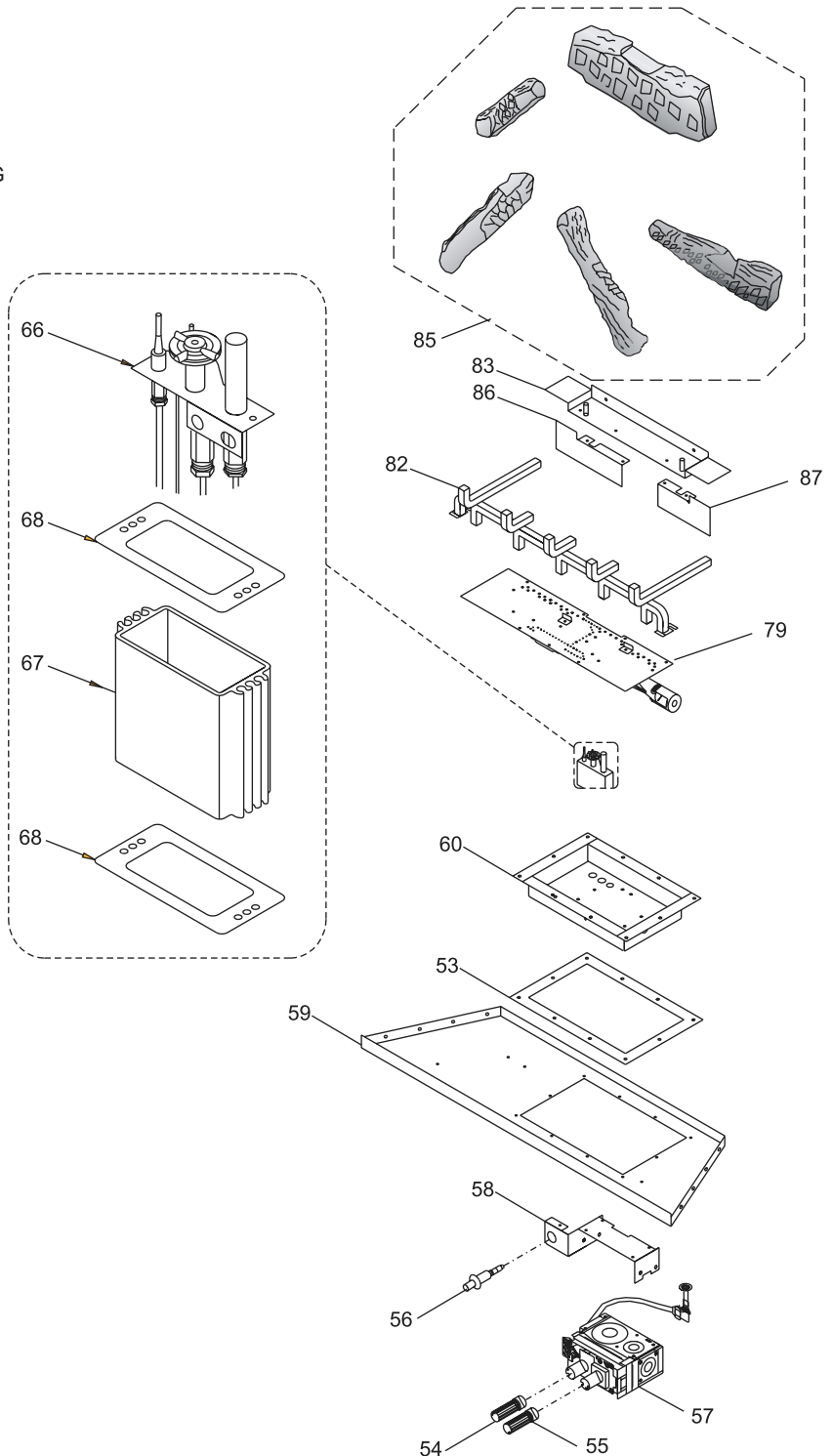


# PARTS LIST

## Burner & Log Assembly

| Part # | Description                                    |
|--------|--|
| 53)    | 430-055 Gasket - Valve Access Plate - NG/LP    |
| 54)    | 910-421 Pilot ON/OFF Extension Knob            |
| 55)    | 910-422 Flame HI/LOW Extension Knob            |
| 56)    | 910-190 Piezo Ignitor and Nut                  |
|        | 432-574/P Valve Assy - Natural Gas             |
|        | 432-576/P Valve Assy - Propane                 |
| 57)    | 910-378 S.I.T. Valve - Natural Gas             |
|        | 910-380 S.I.T. Valve - Propane                 |
| 58)    | * Valve Bracket                                |
| 59)    | * Firebox Base                                 |
| 60)    | * Valve Tray                                   |
| 66)    | 910-038 Pilot Assy - 3 way flame - S.I.T. - NG |
|        | 910-039 Pilot Assy - 3 way flame - S.I.T. - LP |
|        | 904-655 Orifice #45 - Natural Gas              |
|        | 904-163 Orifice #54 - Propane                  |
|        | 936-170 Orifice Gasket                         |
| 67)    | * Pilot Holder                                 |
| 68)    | W840470 Pilot Assembly Gasket                  |
| 79)    | 431-515 Burner Assy - NG/LP                    |
| 82)    | 430-100 Burner Grate Assembly - NG/LP          |
| 83)    | * Rear Log Support Bracket - NG/LP             |
| 85)    | 431-930 Log Set                                |
| 86)    | 430-097 Air Deflector-Left                     |
| 87)    | 430-098 Air Deflector-Right                    |

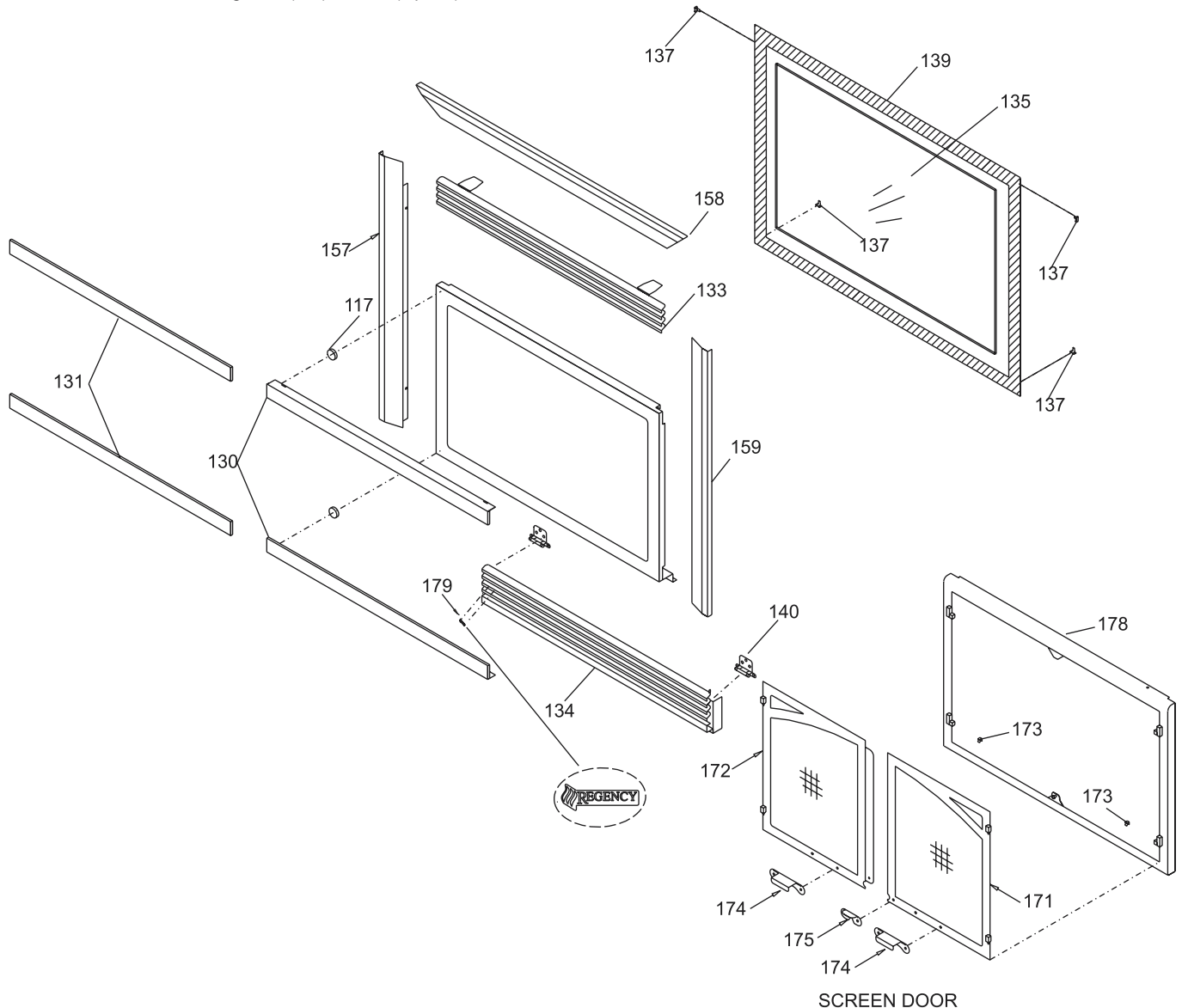
\*Not available as a replacement part.



## Flush Front & Louvers

| Part # | Description   | Part #  | Description                           |
|--------|---|---------|---------------------------------------|
| 117)   | 904-196 Magnet - 1' round                               | 430-942 | Finishing Trim (Set) - Brass (Option) |
| 130)   | 430-924 Flush Glass Trim (set) - Gold (Option)          | 157) *  | Finishing Trim Left                   |
| 131)   | 430-926 Flush Glass Trim (set) - Brass (Option)         | 159) *  | Finishing Trim Right                  |
|        | 430-947 Flush Glass Trim (set) - Brushed Steel (Option) | 158) *  | Finishing Trim Top                    |
|        | 430-918 Flush Louvers (set) - Gold/Black (Option)       | 431-943 | Double Screen Door Complete (Option)  |
|        | 430-920 Flush Louvers (set) - Brass/Black (Option)      | 171) *  | Door Frame Left Assembly              |
|        | 430-922 Flush Louvers (set) - Black (Option)            | 172) *  | Door Frame Right Assembly             |
|        | 430-923 Flush Louvers (set) - Black/Steel (Option)      | 173)    | 904-712 U-Clip for Frame              |
| 133)   | * Flush Louver Assy-Top                                 | 174)    | 430-133 Door Handle                   |
| 134)   | * Flush Louver Assy-Bottom                              | 175)    | 511-084 Door Latch                    |
|        | 430-538 Flush Door Assembly Complete                    | 178)    | * Door Support Frame Assembly         |
| 135)   | 940-088/P Glass (Flush)                                 | 904-715 | Pushnut Fastener 3/16"                |
| 137)   | 904-691 U-Clip  | *       | Screw - #8 x 1/2"                     |
| 139)   | 936-155 Glass Gasket (Tadpole)                          | 179)    | 948-216 Regency Logo Plate            |
| 140)   | 948-042 Spring Hinge - Black                            |         |                                       |
|        | 430-940 Finishing Trim (Set) - Black (Option)           |         |                                       |

\*Not available as a replacement part.

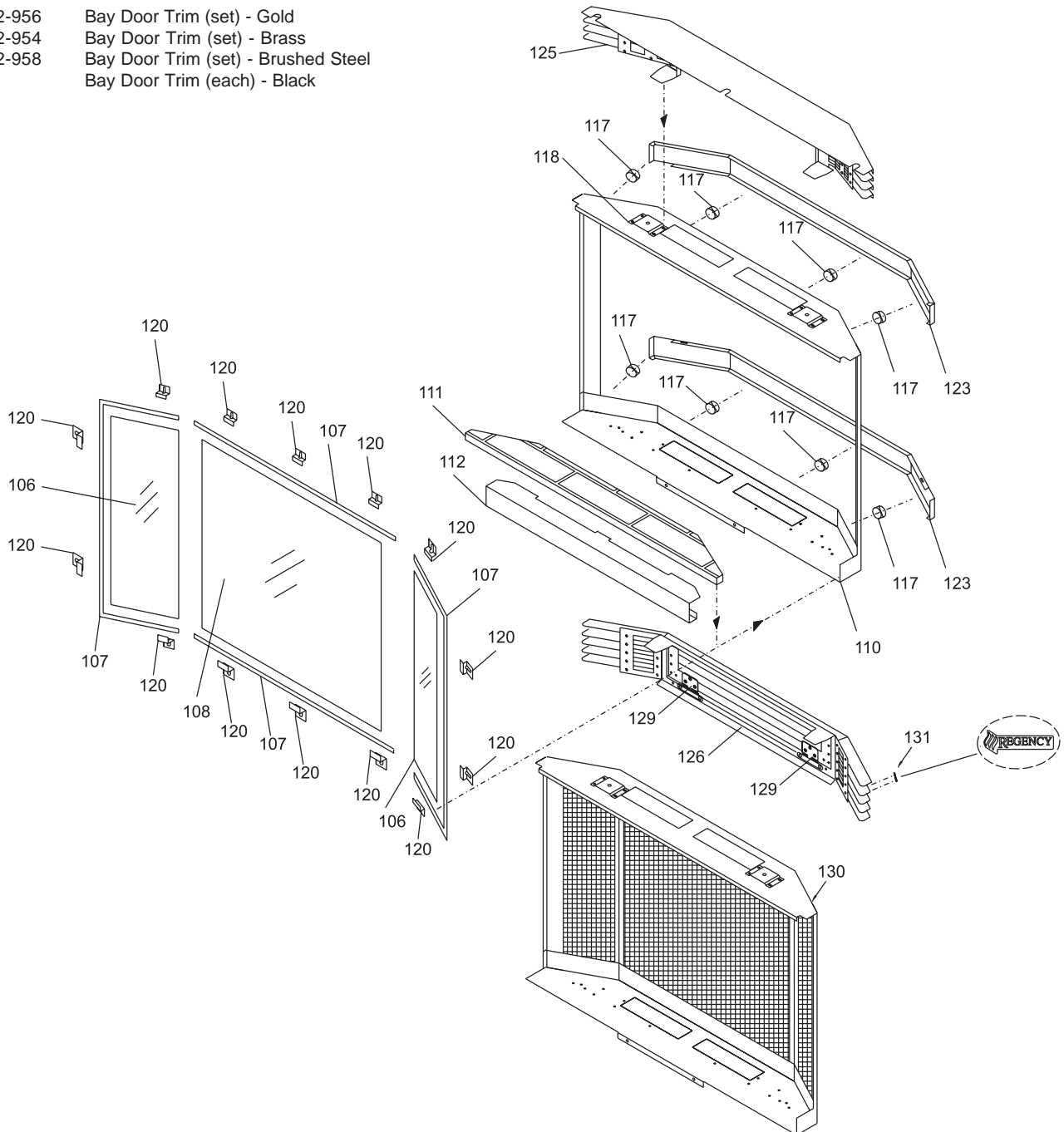


# PARTS LIST

## Bay Front & Louvers

| Part #         | Description                         | Part #       | Description                     |
|----------------|-------------------------------------|--------------|---------------------------------|
| 430-930        | Bay Front Complete                  | 430-932      | Bay Louvers (set) - Gold/Black  |
| 106) 940-079/P | Side Glass                          | 430-934      | Bay Louvers (set) - Brass/Black |
| 107) 936-243   | Glass Gasket                        | 430-936      | Bay Louvers (set) - Black       |
| 108) 940-078/P | Center Glass                        | 430-937      | Bay Louvers (set) - Steel/Black |
| 110) *         | Bay Door Frame                      | 125) *       | Bay Louver Assy-Top             |
| 111) 902-322   | Bay Brick Panel - Standard          | 126) *       | Bay Louver Assy-Bottom          |
| 432-905        | Bay Brick Panel - Standard Brown    | 129) 948-042 | Hinge                           |
| 432-906        | Bay Brick Panel - Standard Red      | 130) 432-960 | Bay Front Screen                |
| 112) *         | Bay Brick Panel Spacer              | 131) 948-216 | Regency Logo Plate              |
| 117) 904-196   | Magnet (1" round)                   |              |                                 |
| 118) *         | Louver Hold Down                    |              |                                 |
| 120) 400-189   | Glass Retainer                      |              |                                 |
|                |                                     |              |                                 |
| 432-956        | Bay Door Trim (set) - Gold          |              |                                 |
| 432-954        | Bay Door Trim (set) - Brass         |              |                                 |
| 432-958        | Bay Door Trim (set) - Brushed Steel |              |                                 |
| 123) *         | Bay Door Trim (each) - Black        |              |                                 |

\*Not available as a replacement part.











**Regency Fireplace Products, are designed with reliability and simplicity in mind. In addition, our internal Quality Assurance Team carefully inspects each unit thoroughly before it leaves our door. Regency Industries Ltd. is pleased to extend this limited lifetime warranty to the original purchaser of a Regency Product.**

**The Warranty:** Lifetime

Covered under the agreement are the following components: Combustion chamber, heat exchanger, burner tubes, logs, embers, glass (thermal breakage) and all gold plating (against defective manufacture).

The above will be covered for parts and labour for the first five years and parts only thereafter. Electrical components such as blowers, fan motor, switches, wiring, thermodiscs, remote control, thermopiles, thermocouples, pilot assemblies, and gas valves are covered for one year from the date of purchase.

**Conditions:**

All installations must be performed by a qualified gas fitter and installed according to all applicable local and national codes. Also, all service work must be carried out by a qualified gas service person who is recommended by the selling dealer. It is the responsibility of the installer to ensure that the appliance is firing as per rating plate. Any part or parts of this unit which in our judgement show evidence of such defect will be repaired or replaced at Regency's option, through an accredited distributor or agent provided that the defective part be returned to the distributor or agent **Transportation Prepaid**, if requested.

**Exclusions:**

This limited Lifetime Warranty does not extend to or include paint, door or glass gasketing or trim. It does not cover installation and operational related problems such as over-firing, downdrafts or spillage caused by environmental conditions, nearby trees, buildings, hilltops, mountains, inadequate venting or ventilation, excessive offsets, negative air pressures caused by insufficient make up air, mechanical systems such as furnaces, fans, clothes dryers etc.

The warranty does not extend to any part or parts which show evidence of misuse or abuse, neglect, accident or lack of maintenance.

Products made by other manufacturers and used in conjunction with the operation of this appliance without authorization from Regency, may nullify your warranty on this product.

Regency Industries Ltd., shall in no event be liable for any special, indirect consequential damages of any nature whatsoever which are in excess of the original purchase price of the product. Any alteration to the unit which causes sooting or carboning that results in damage to the exterior facia is not the responsibility of Regency Industries Ltd.

Note: Warranty is not transferable.

**Vent Components:**

The venting components are under warranty from Simpson Dura-Vent Inc.

**General:**

It is essential that all submitted claims provide all of the necessary information including purchase date, serial #, type of unit and part or parts requested.



Regency fireplace products are designed with reliability and simplicity in mind. In addition, our internal Quality Assurance Team carefully inspects each unit thoroughly before it leaves our door.

Fireplace Products International Ltd. is pleased to extend this Limited Lifetime Warranty to the original purchaser of a Regency Product.

See the inside back cover for details.

Register your Regency online at  
<http://www.regency-fire.com>

*Installer: Please complete the following information*

Dealer Name & Address: \_\_\_\_\_

\_\_\_\_\_

Installer: \_\_\_\_\_

Phone #: \_\_\_\_\_

Date Installed: \_\_\_\_\_

Serial No.: \_\_\_\_\_

## Free Manuals Download Website

<http://myh66.com>

<http://usermanuals.us>

<http://www.somanuals.com>

<http://www.4manuals.cc>

<http://www.manual-lib.com>

<http://www.404manual.com>

<http://www.luxmanual.com>

<http://aubethermostatmanual.com>

Golf course search by state

<http://golfingnear.com>

Email search by domain

<http://emailbydomain.com>

Auto manuals search

<http://auto.somanuals.com>

TV manuals search

<http://tv.somanuals.com>